

US00D683560S

(12) **United States Design Patent**
Goldberg

(10) **Patent No.:** **US D683,560 S**

(45) **Date of Patent:** **** Jun. 4, 2013**

(54) **COMPACT DISPENSER FOR RETAINING A REFILLABLE ROLL OF DOG WASTE BAGS**

(75) **Inventor:** **David Goldberg**, Marina Del Rey, CA (US)

(73) **Assignee:** **Petkin, Inc.**, Marina del Rey, CA (US)

(**) **Term:** **14 Years**

(21) **Appl. No.:** **29/431,847**

(22) **Filed:** **Sep. 11, 2012**

(51) **LOC (9) Cl.** **20-02**

(52) **U.S. Cl.**
USPC **D6/518**

(58) **Field of Classification Search**
USPC D6/542-545, 553, 567, 574, 515-525,
D6/549; 206/77.1; 211/13.1, 86.01, 87.01;
221/14, 92, 649, 146.1, 146.2, 105;
222/281-282; D23/225; D8/349, 354, 363,
D8/373, 394; D24/155; D7/631

See application file for complete search history.

(56) **References Cited**

U.S. PATENT DOCUMENTS

D464,179 S *	10/2002	Petersen et al.	D6/518
D654,739 S *	2/2012	Chin et al.	D6/518
D657,174 S *	4/2012	Yatscoff	D6/518

* cited by examiner

Primary Examiner — Brian N Vinson

(74) *Attorney, Agent, or Firm* — Thomas I. Rozsa

(57) **CLAIM**

The ornamental design for a compact dispenser for retaining a refillable roll of dog waste bags, as shown and described.

DESCRIPTION

FIG. 1 is a front perspective view of the compact dispenser for retaining a refillable roll of dog waste bags showing my new design;

FIG. 2 is a left side elevational view thereof;

FIG. 3 is right side elevational view thereof;

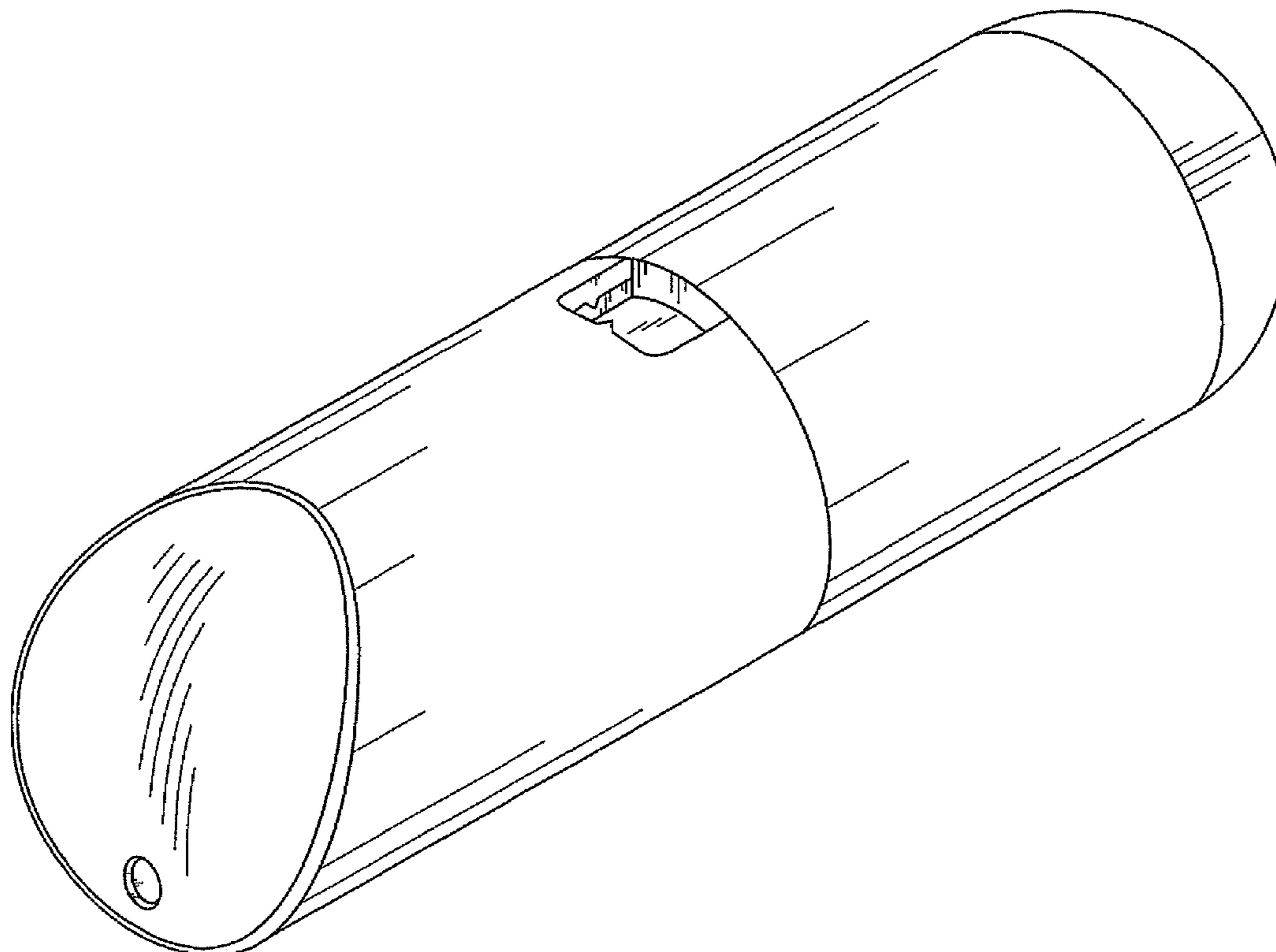
FIG. 4 is a top plan view thereof;

FIG. 5 is a bottom plan view thereof;

FIG. 6 is a front plan view thereof; and,

FIG. 7 is a rear plan view thereof.

1 Claim, 6 Drawing Sheets



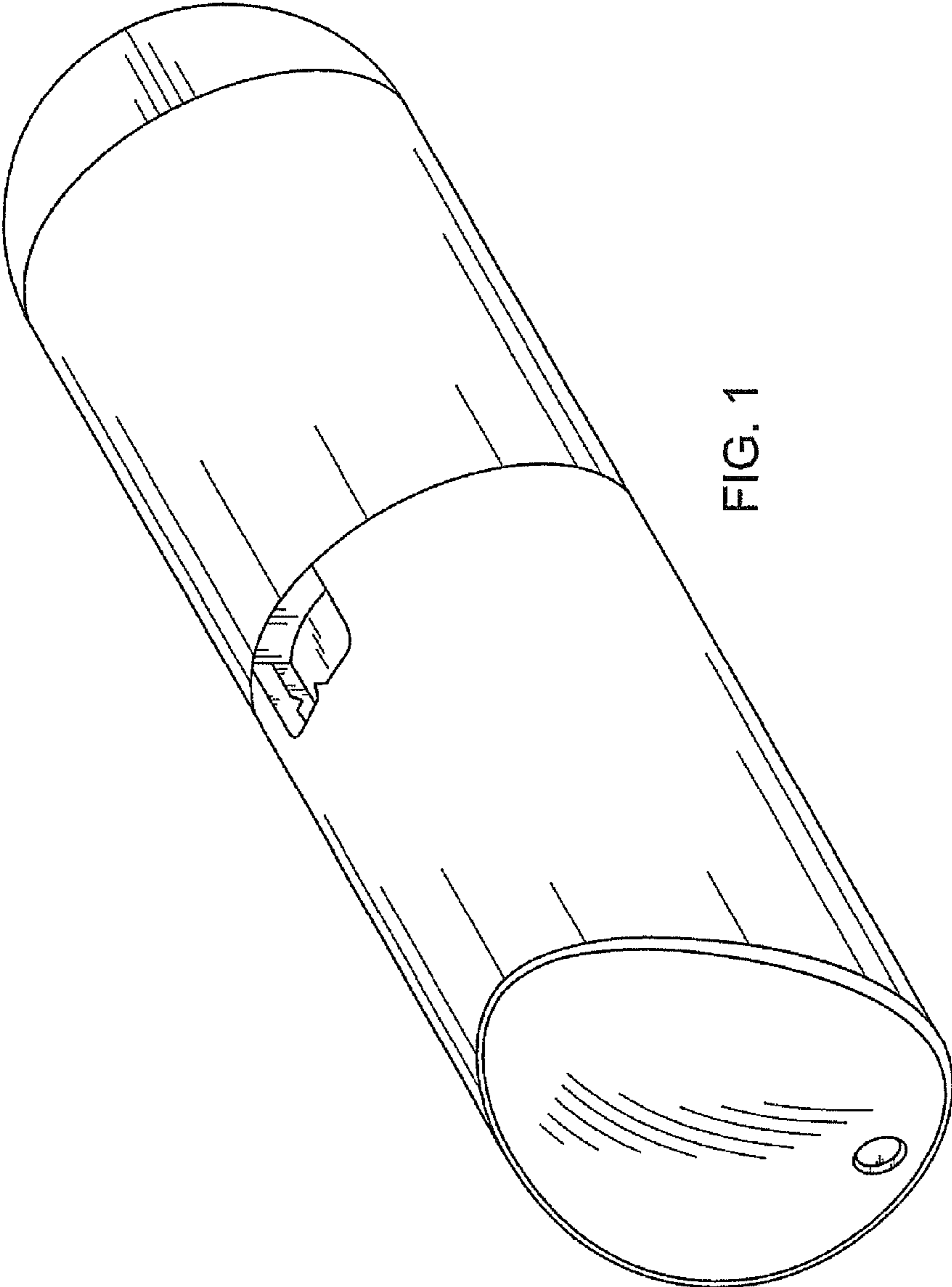


FIG. 1

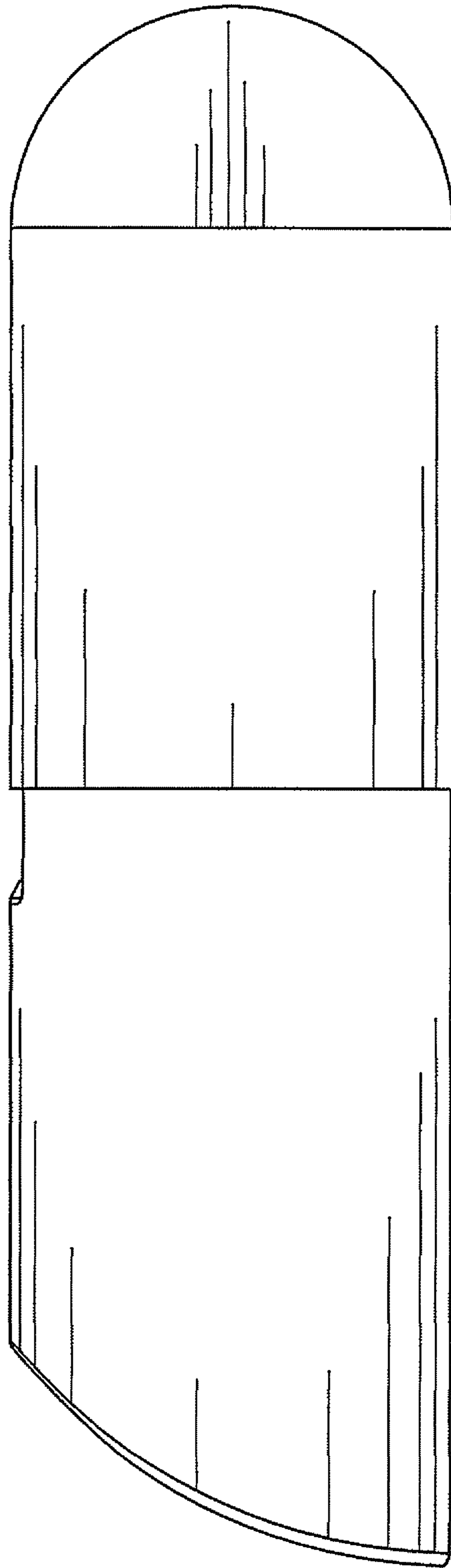


FIG. 2

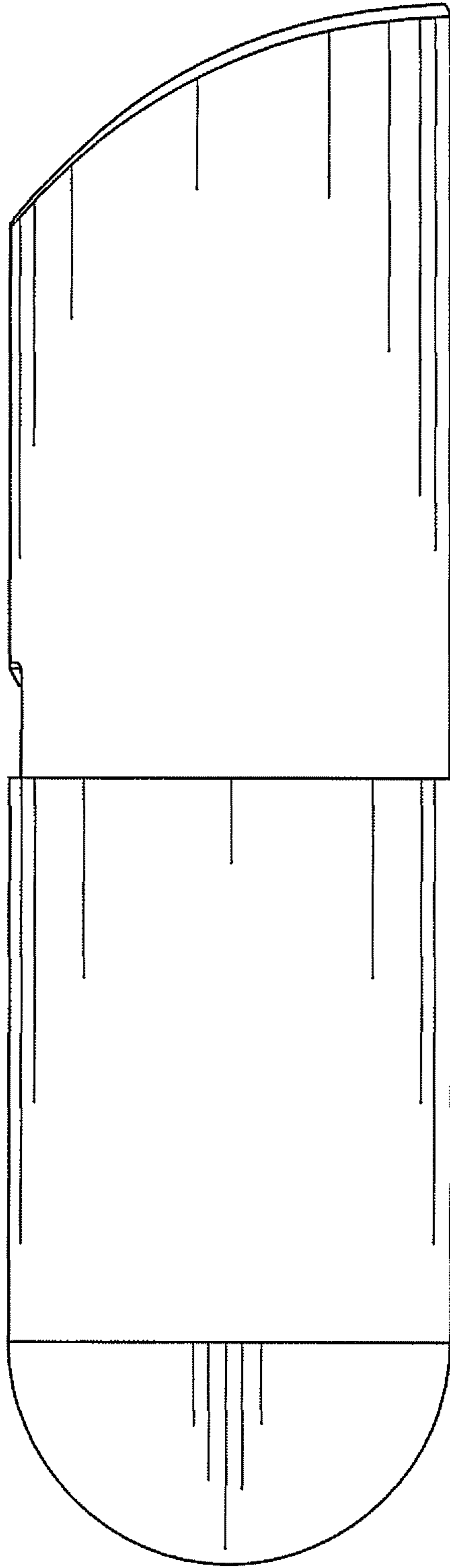


FIG. 3

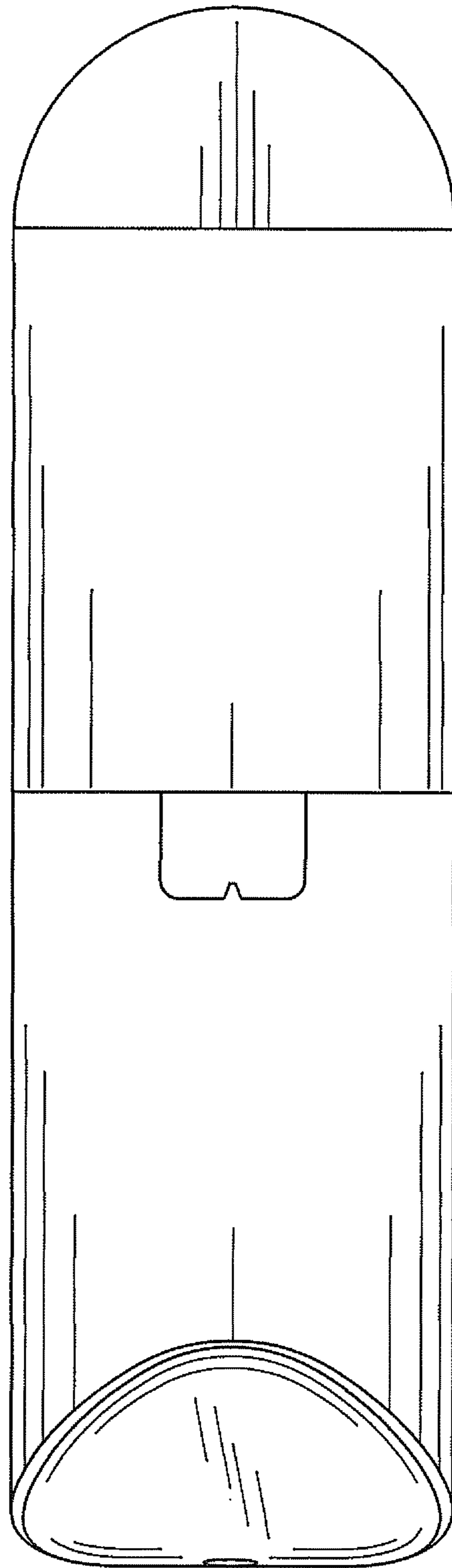


FIG. 4

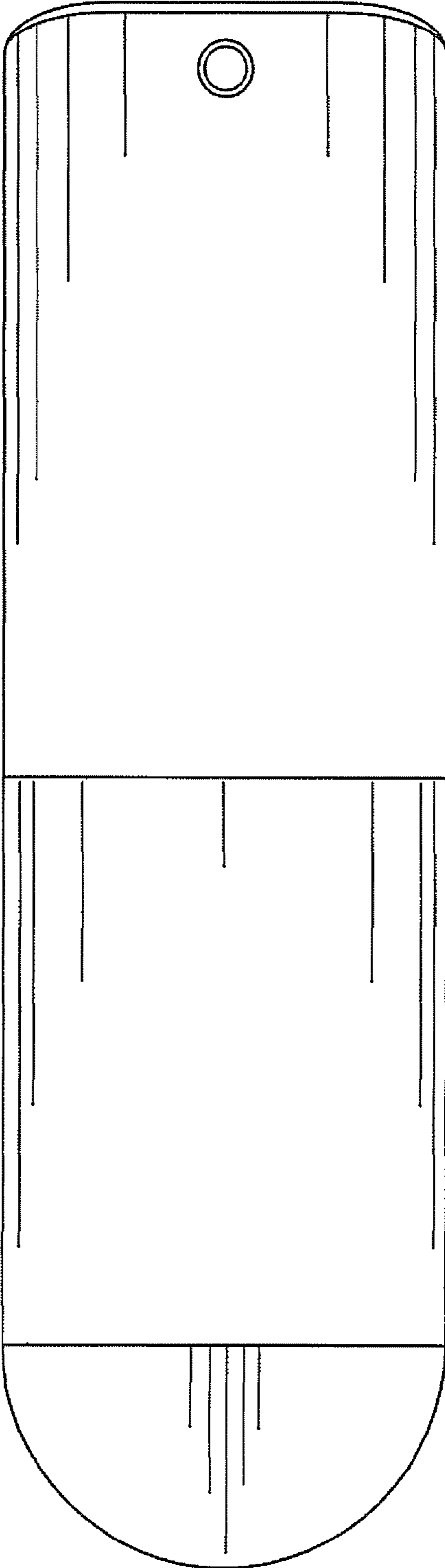


FIG. 5

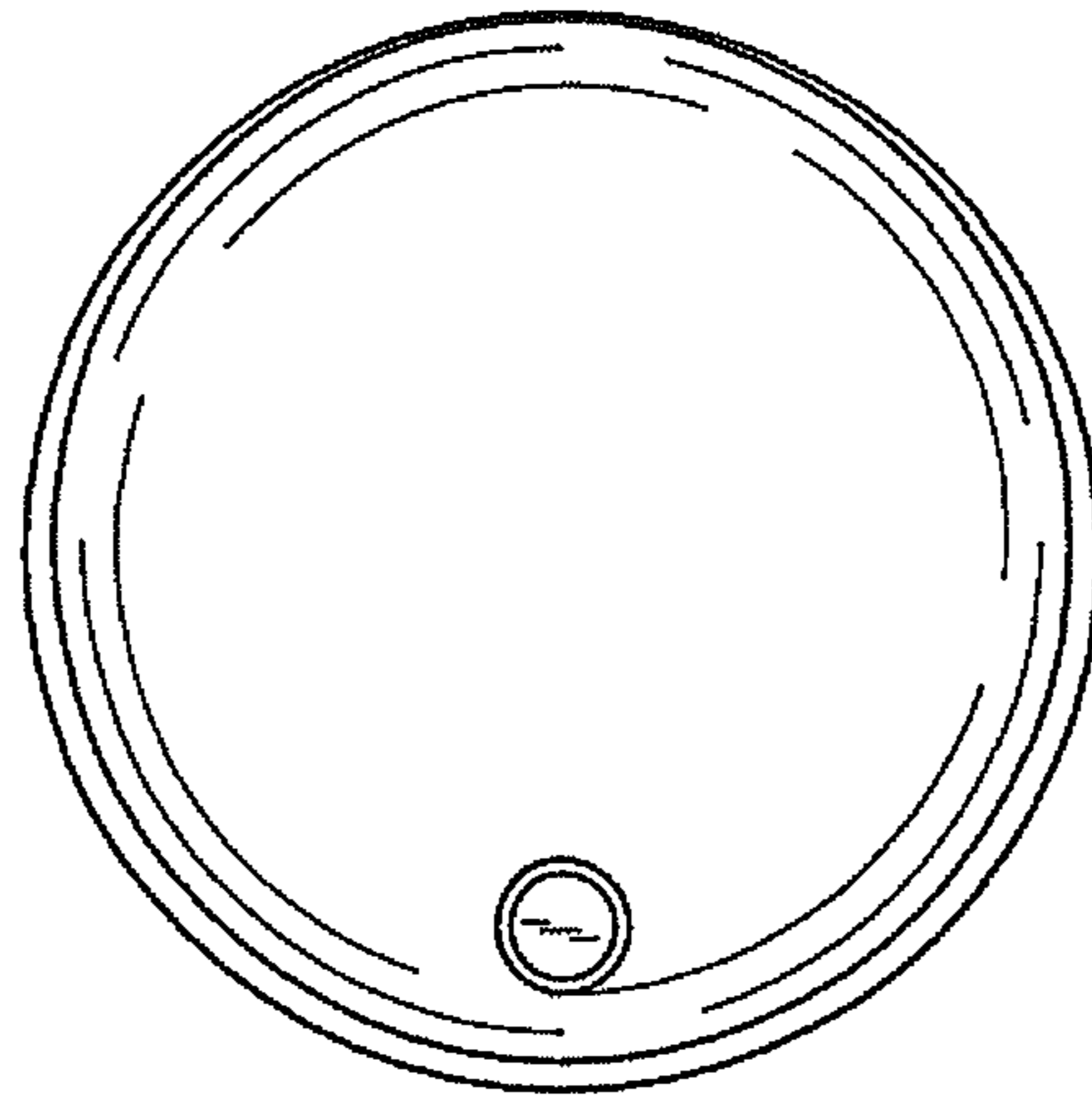


FIG. 6

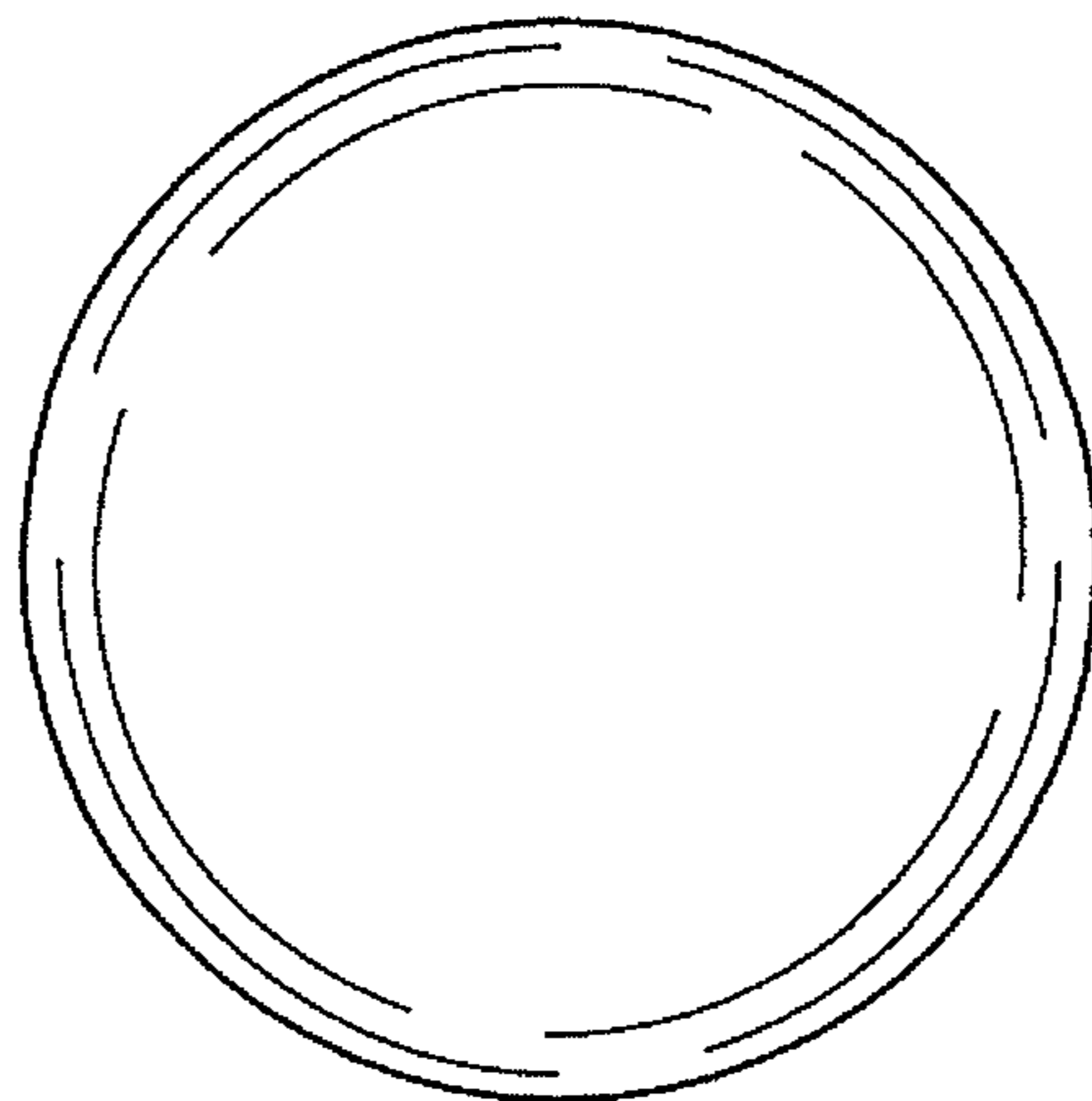


FIG. 7