



US00D683559S

(12) **United States Design Patent**  
**Weber et al.**

(10) **Patent No.:** **US D683,559 S**  
(45) **Date of Patent:** **\*\* Jun. 4, 2013**

(54) **CHAIR SHELL**

(75) Inventors: **Jeffrey A. Weber**, Golden Valley, MN (US); **David I. Wolf**, Cedar Springs, MI (US); **John K. Blomstrom**, St. Paul, MN (US); **Douglas L. Fassett**, Kentwood, MI (US); **Paul J. Martus**, Grand Rapids, MI (US); **David J. Ippel**, Byron Center, MI (US)

(73) Assignee: **American Seating Company**, Grand Rapids, MI (US)

(\*\*) **Term:** **14 Years**

(21) **Appl. No.:** **29/424,038**

(22) **Filed:** **Jun. 7, 2012**

(51) **LOC (9) Cl.** ..... **06-01**

(52) **U.S. Cl.**  
**USPC** ..... **D6/500**

(58) **Field of Classification Search**  
**USPC** ..... D6/334-336, 344-353, 360-381, D6/388, 403, 491-502, 692, 708, 716, 716.2; 297/22, 31, 35, 217.1, 228.12, 239, 256.16, 297/284.4-284.5, 291, 297, 302.4, 411.2, 297/411.27-411.29, 411.43, 423.1, 423.12, 297/440.15, 448.1, 451.1, 452.13, 452.19, 297/452.21, 452.27, 452.29, 452.3, 452.41, 297/452.56, 452.64

See application file for complete search history.

(56) **References Cited**

**U.S. PATENT DOCUMENTS**

D189,347	S	*	11/1960	Chapman	.....	D6/375
3,025,105	A	*	3/1962	Nash	.....	297/239
3,123,399	A	*	3/1964	Wilson	.....	297/239
3,201,172	A	*	8/1965	Bliss	.....	297/448.1
3,220,767	A	*	11/1965	Hendrickson	.....	297/228.12
D210,940	S	*	5/1968	Eames	.....	D6/375
D214,622	S	*	7/1969	Schier	.....	D6/375
D236,670	S	*	9/1975	Uyeda	.....	D6/375

D295,585	S	*	5/1988	Mulhauser	.....	D6/372
D307,837	S	*	5/1990	Grant	.....	D6/380
D367,982	S	*	3/1996	Stirling et al.	.....	D6/500
D370,360	S	*	6/1996	Fewchuk	.....	D6/374
D426,973	S	*	6/2000	Risdall	.....	D6/375
D427,444	S	*	7/2000	Risdall	.....	D6/375
D508,340	S	*	8/2005	Barbieri	.....	D6/375
D546,087	S	*	7/2007	Rashid	.....	D6/375
D547,980	S	*	8/2007	Glass et al.	.....	D6/500
D562,019	S	*	2/2008	Lievore	.....	D6/366
D564,248	S	*	3/2008	Alter Molina et al.	.....	D6/373
D592,873	S	*	5/2009	Olano Jauregui	.....	D6/373
D596,871	S	*	7/2009	Farber	.....	D6/375
D646,086	S	*	10/2011	Hickman et al.	.....	D6/500

(Continued)

*Primary Examiner* — Ricky Pham

(74) *Attorney, Agent, or Firm* — Warner Norcross & Judd LLP

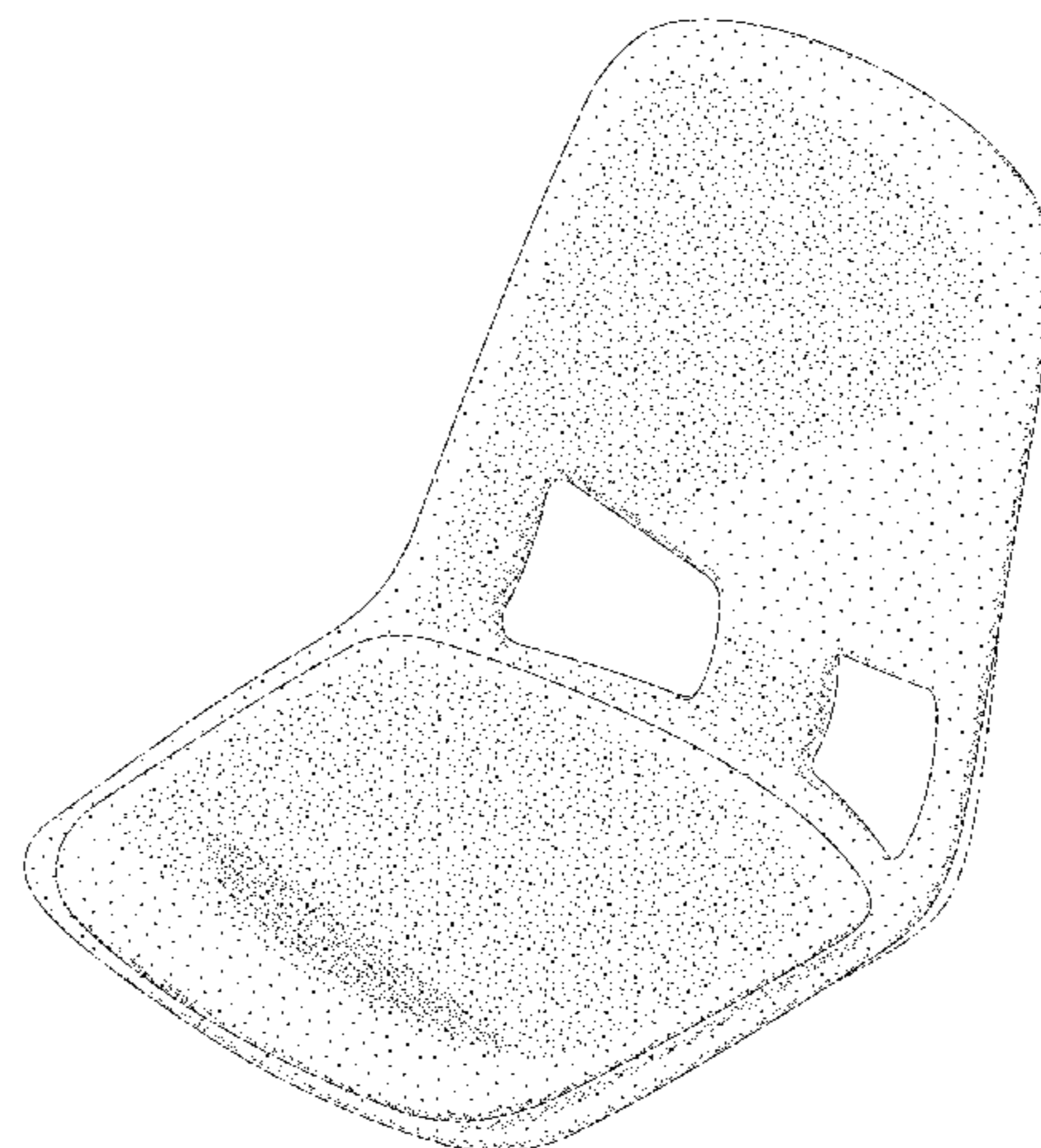
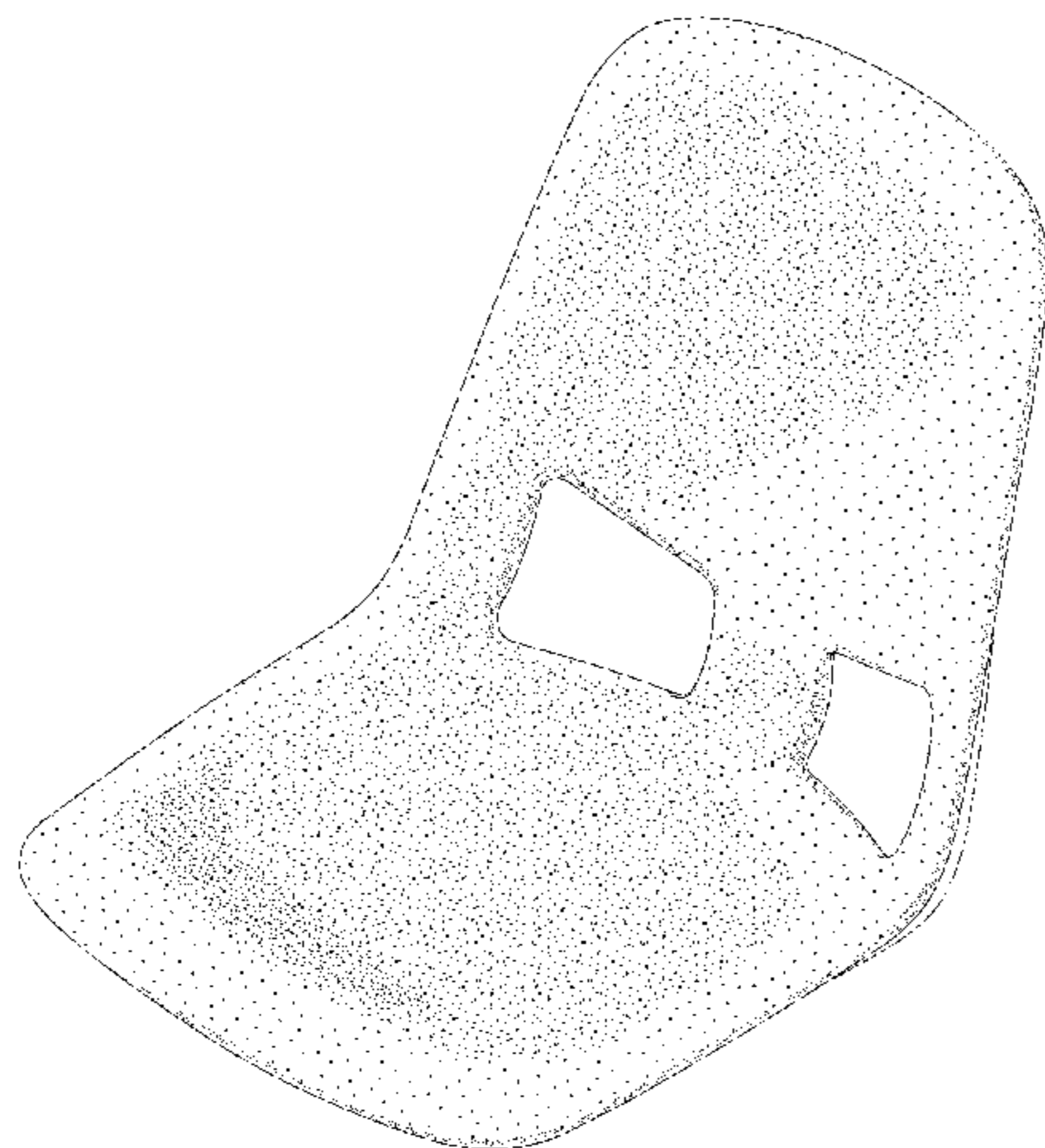
(57) **CLAIM**

The ornamental design for a chair shell, as shown and described.

**DESCRIPTION**

FIG. 1 is a perspective view of a chair shell embodying the new design.  
 FIG. 2 is a left side view thereof, the right side view being a mirror image of the left side view.  
 FIG. 3 is a front elevational view thereof.  
 FIG. 4 is a rear elevational view thereof.  
 FIG. 5 is a top plan view thereof.  
 FIG. 6 is a bottom plan view thereof.  
 FIG. 7 is a perspective view of an alternative embodiment of the chair shell.  
 FIG. 8 is a left side view thereof, the right side view being a mirror image of the left side view.  
 FIG. 9 is a front elevational view thereof.  
 FIG. 10 is a rear elevational view thereof.  
 FIG. 11 is a top plan view thereof; and,  
 FIG. 12 is a bottom plan view thereof.

**1 Claim, 12 Drawing Sheets**



# US D683,559 S

Page 2

---

## U.S. PATENT DOCUMENTS

D650,606 S	*	12/2011	Radice et al. ....	D6/375	
D665,593 S	*	8/2012	Morrison .....	D6/375	
					* cited by examiner
				D669,701 S	* 10/2012 Starck .....
				D670,099 S	* 11/2012 Olivares .....
					D6/375

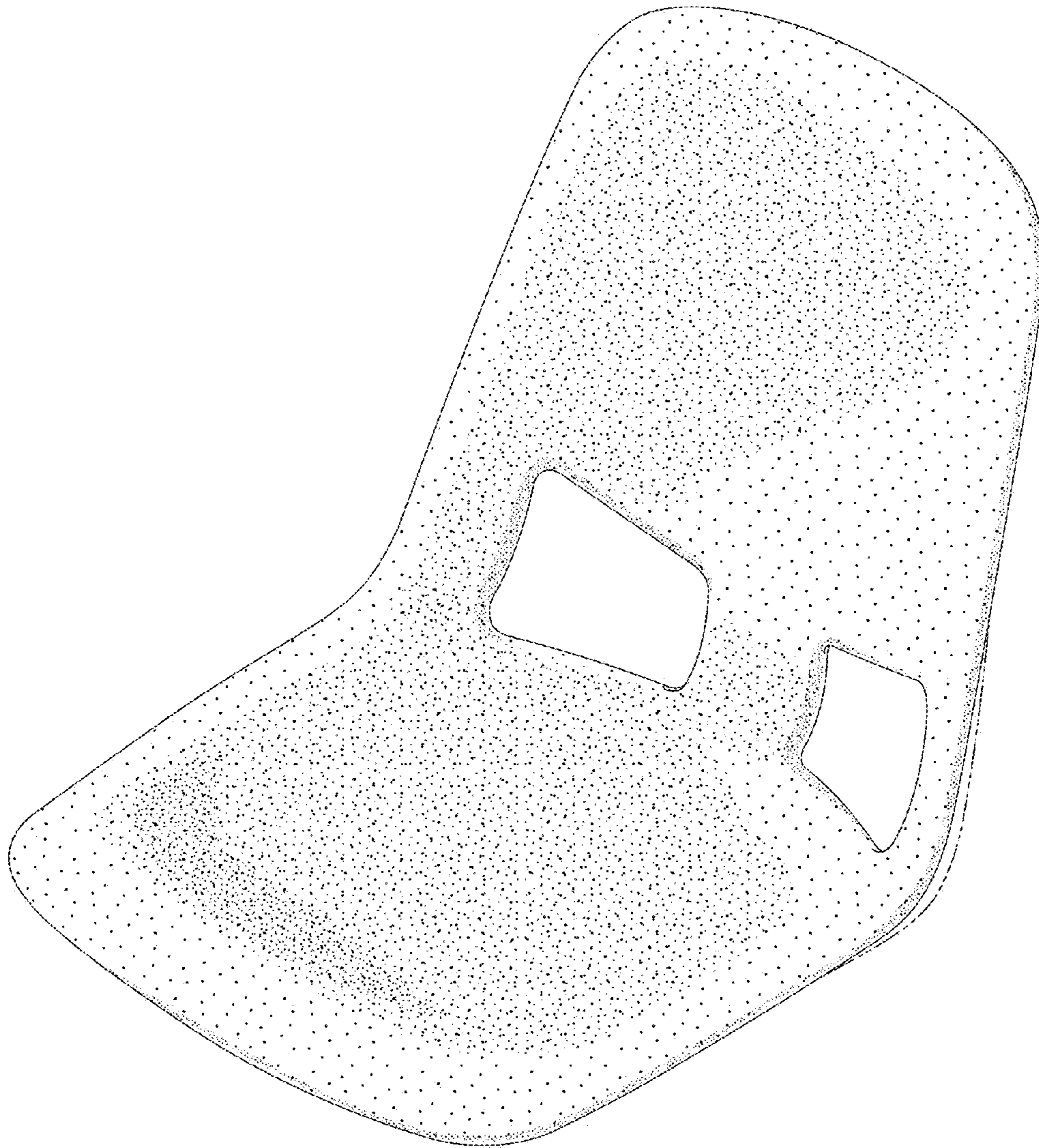


Fig. 1

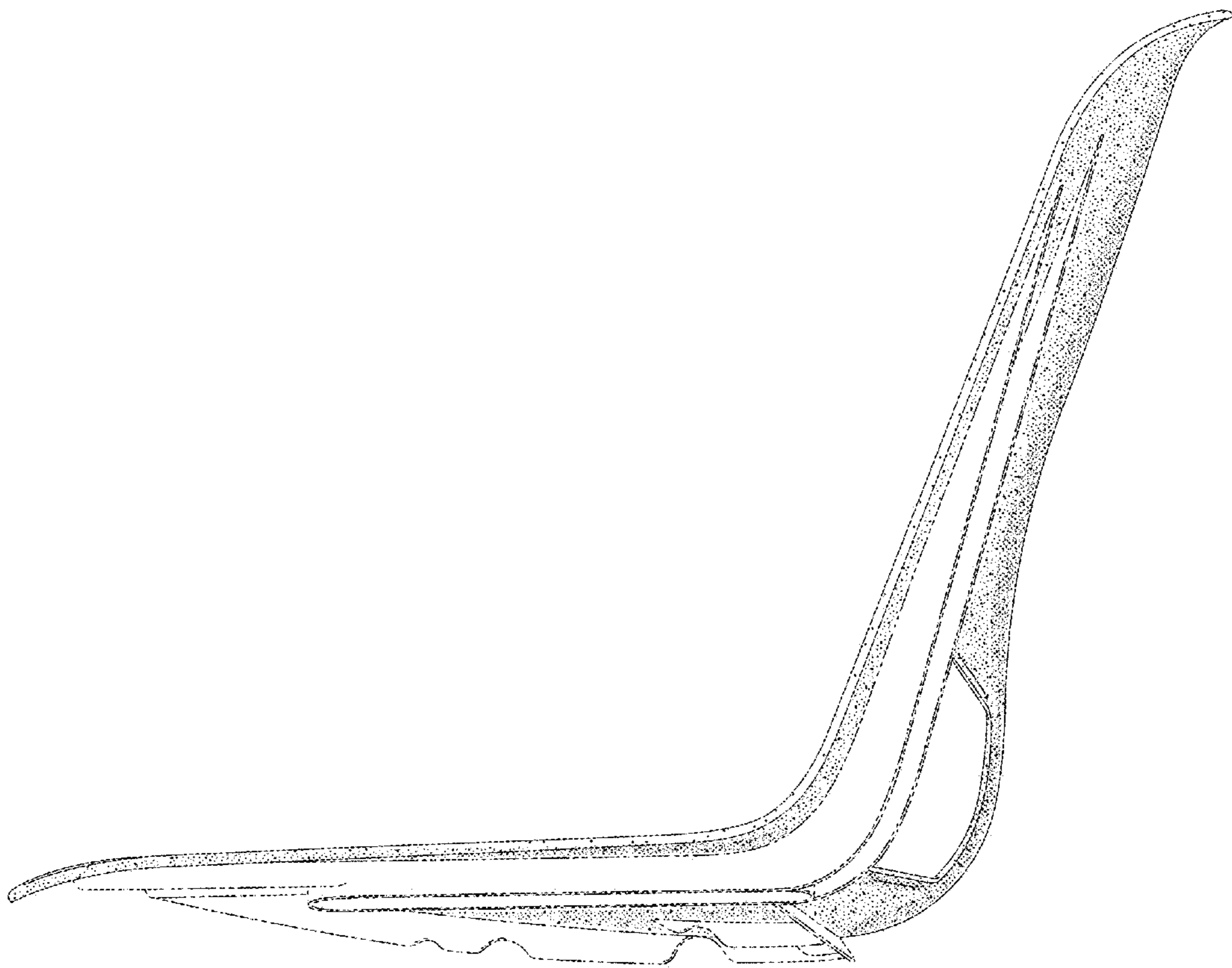


Fig. 2

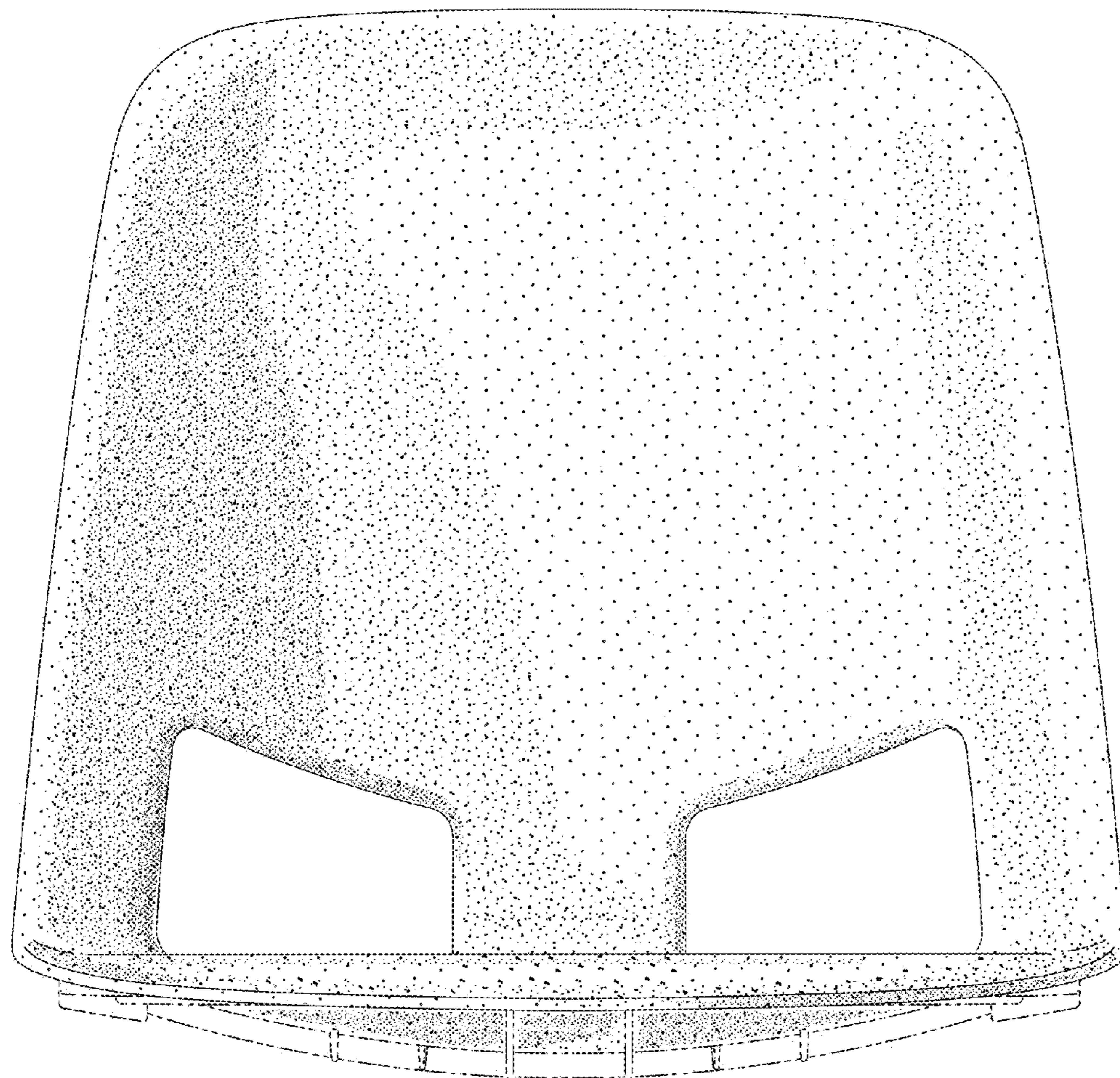


Fig. 3

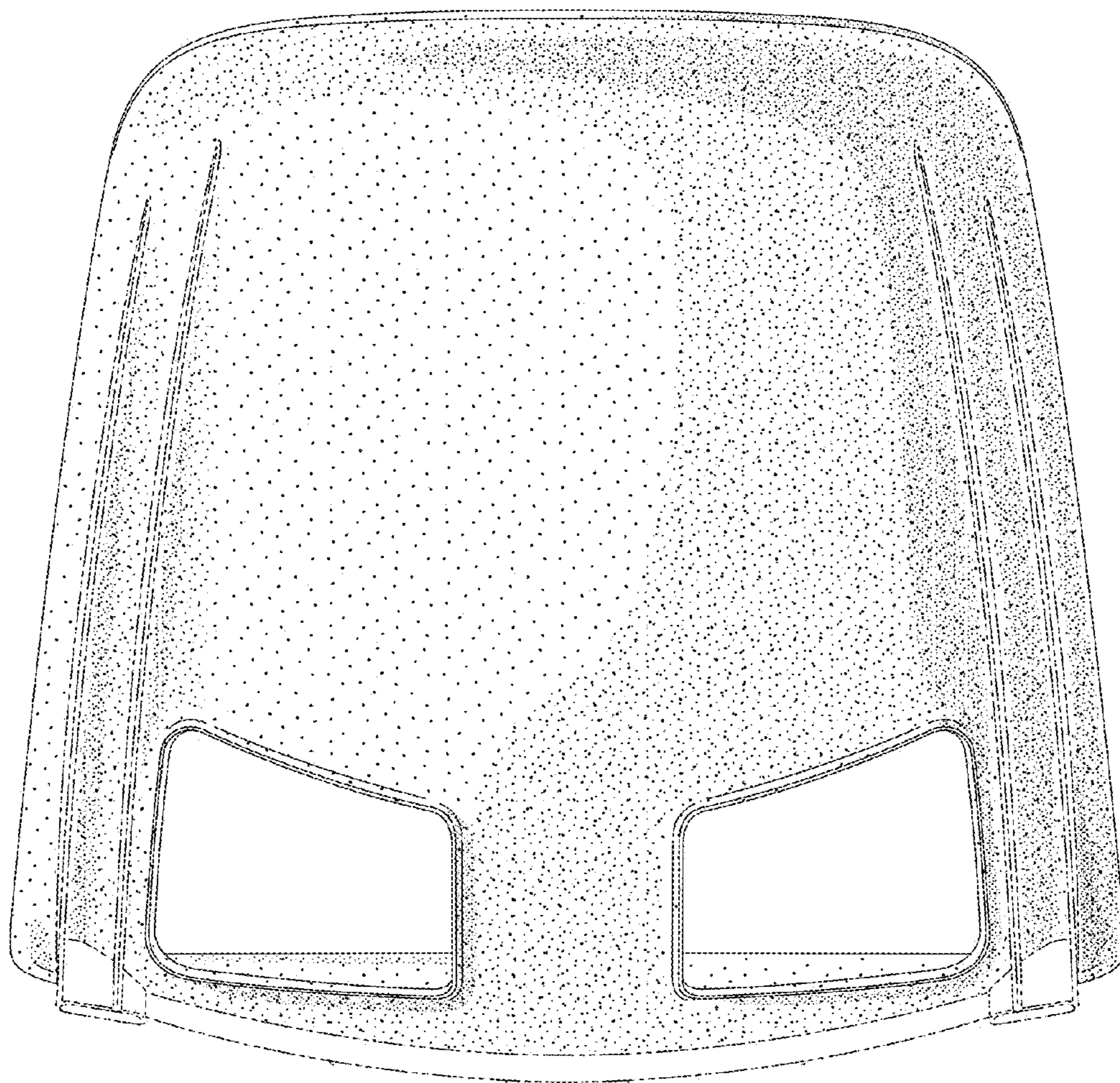


Fig. 4

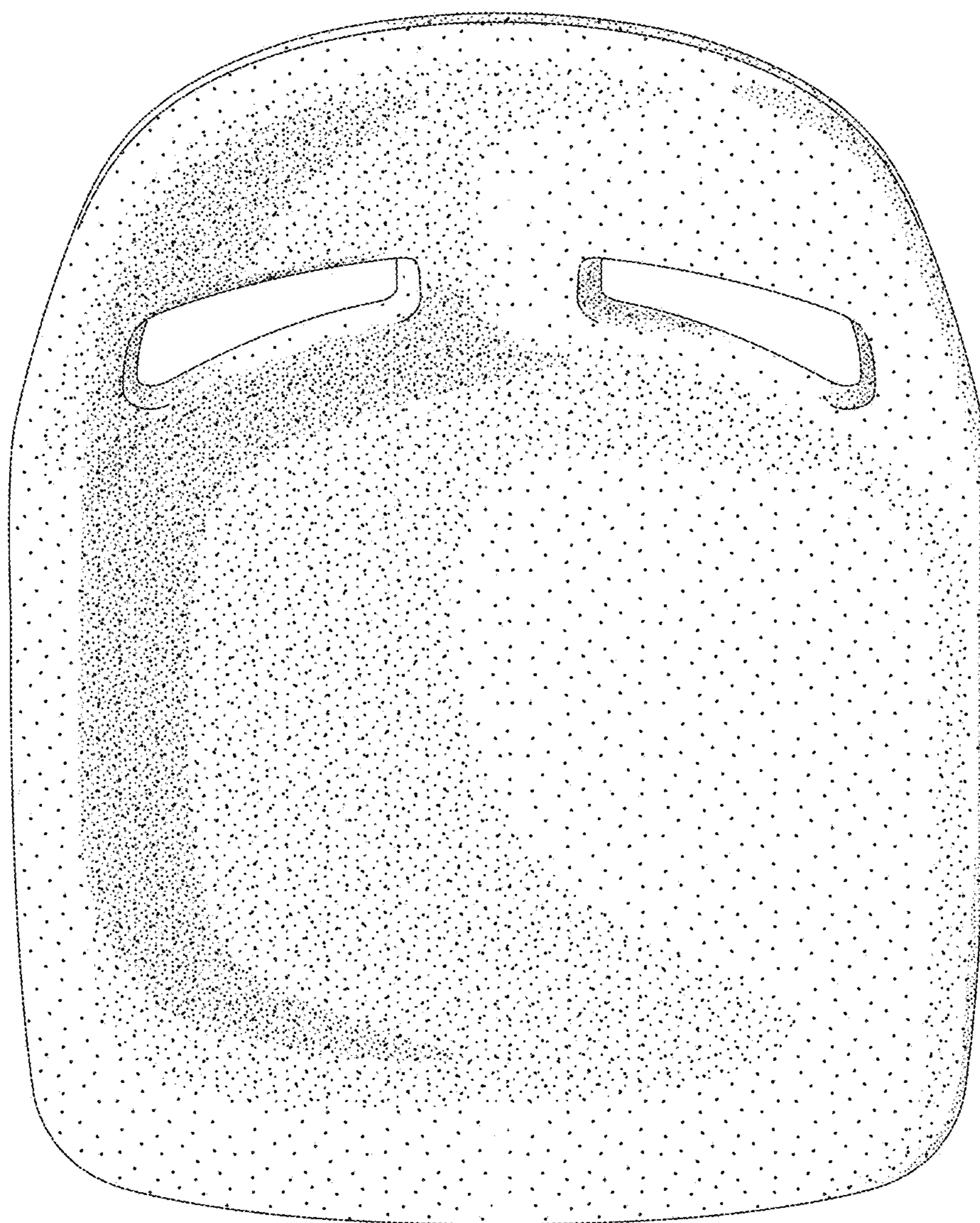


Fig. 5

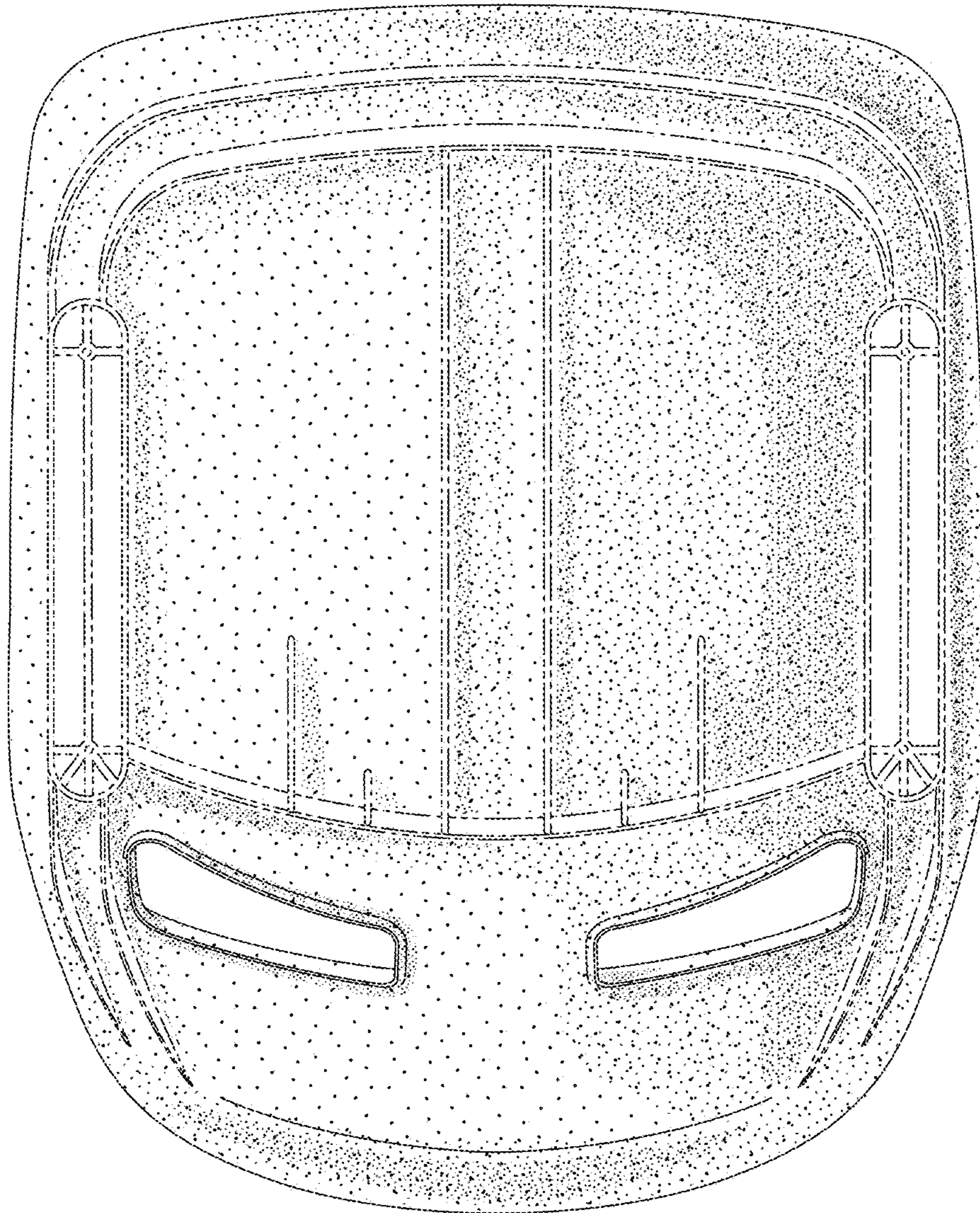


Fig. 6



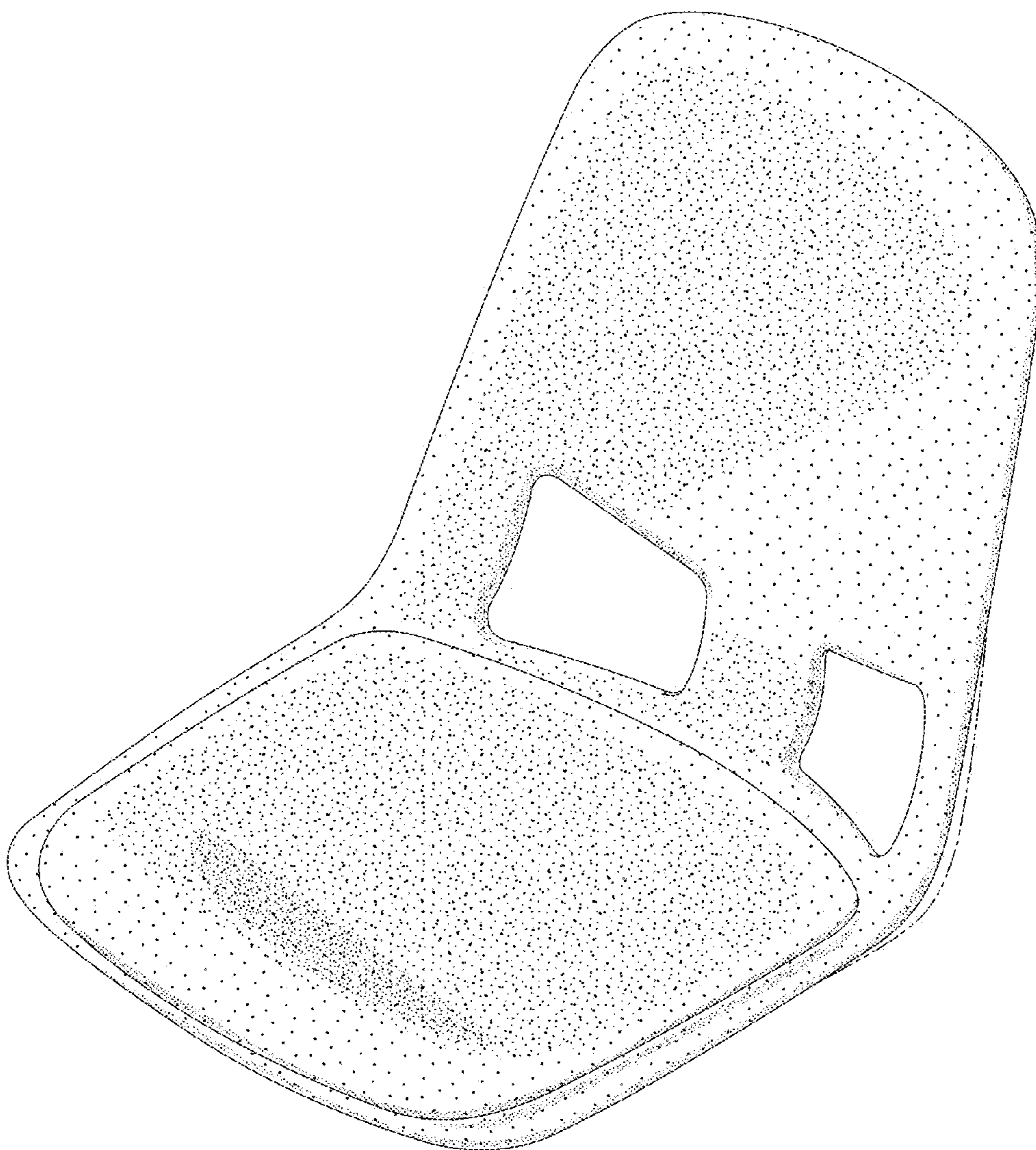


Fig. 7

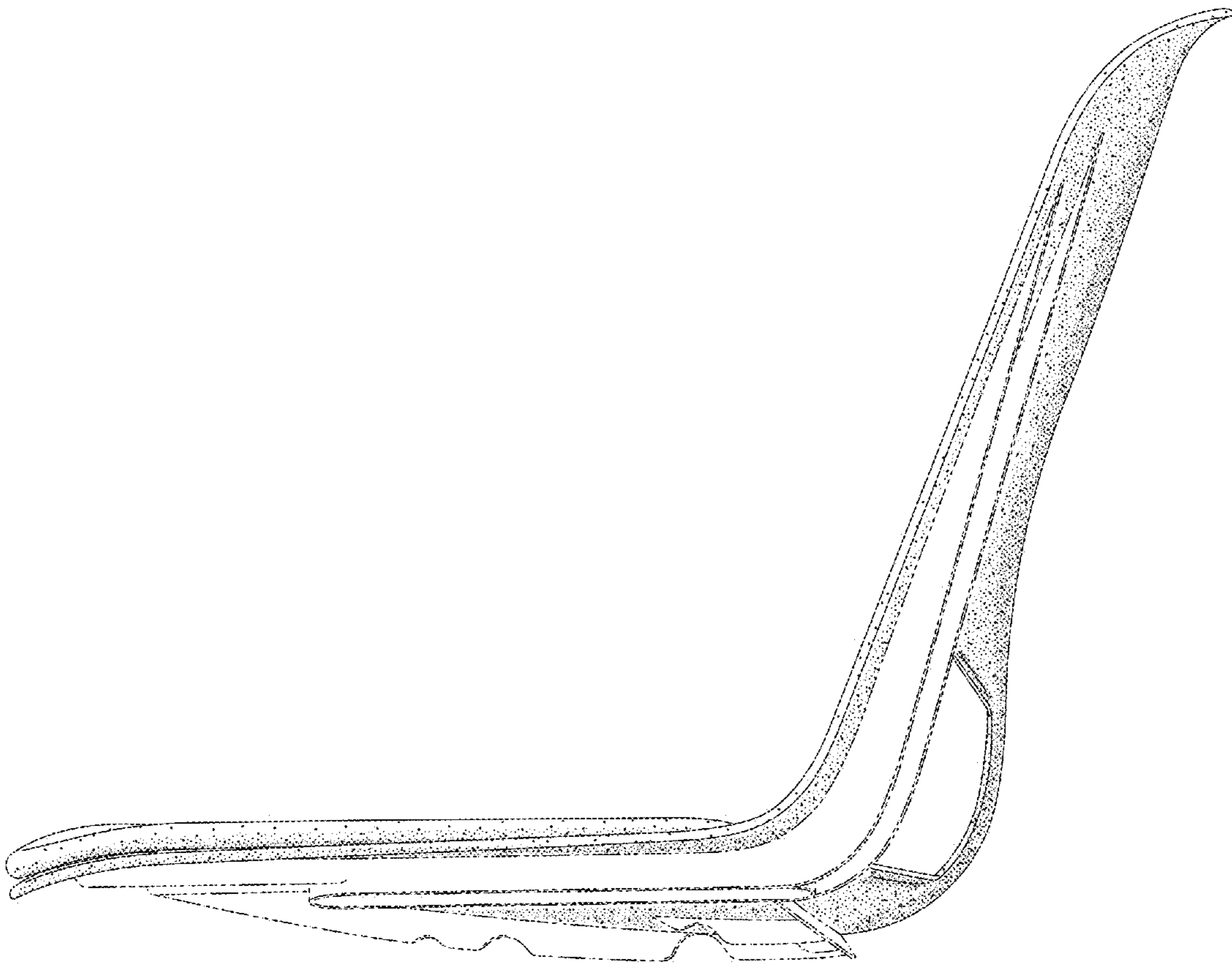


Fig. 8

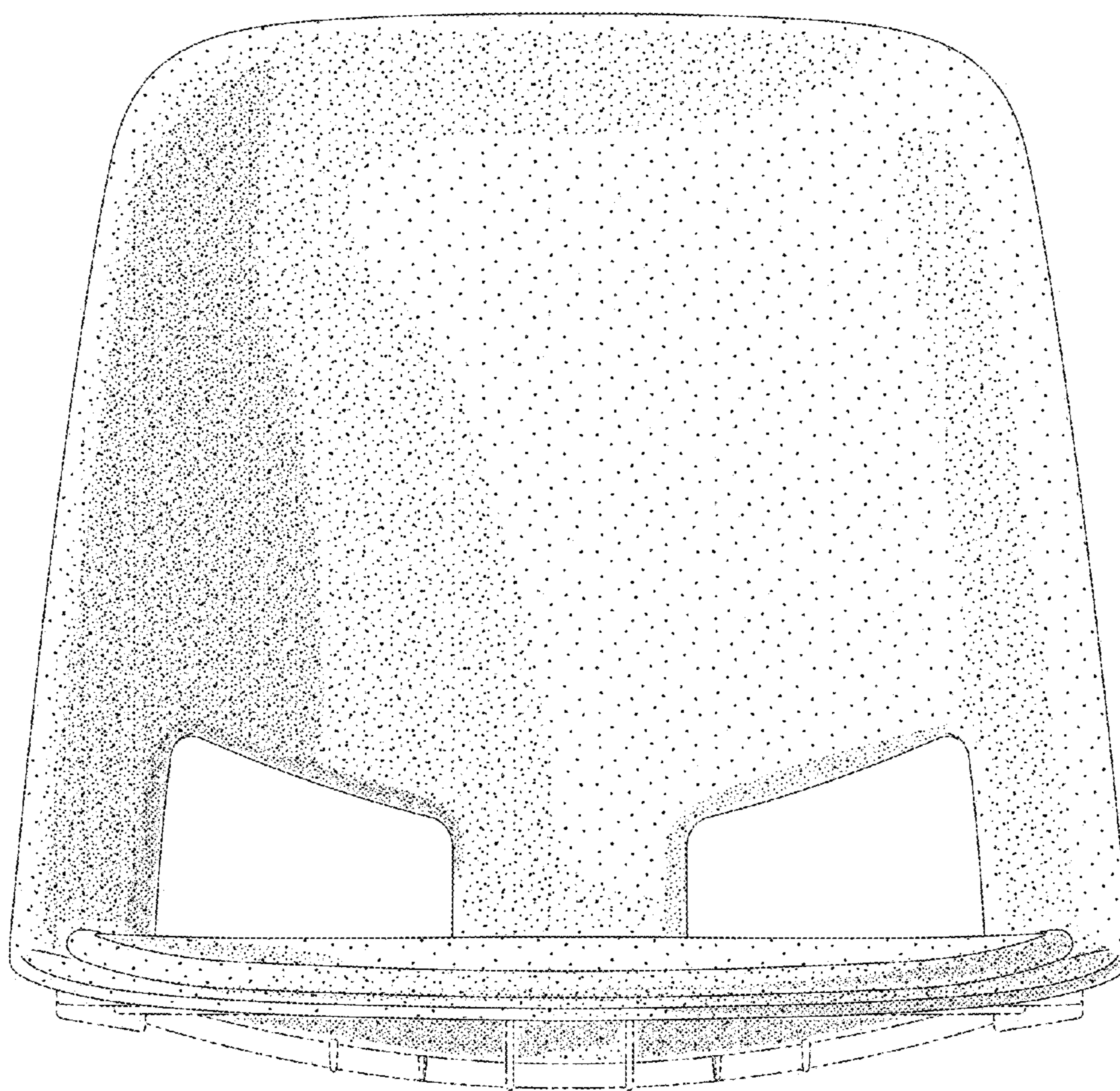


Fig. 9

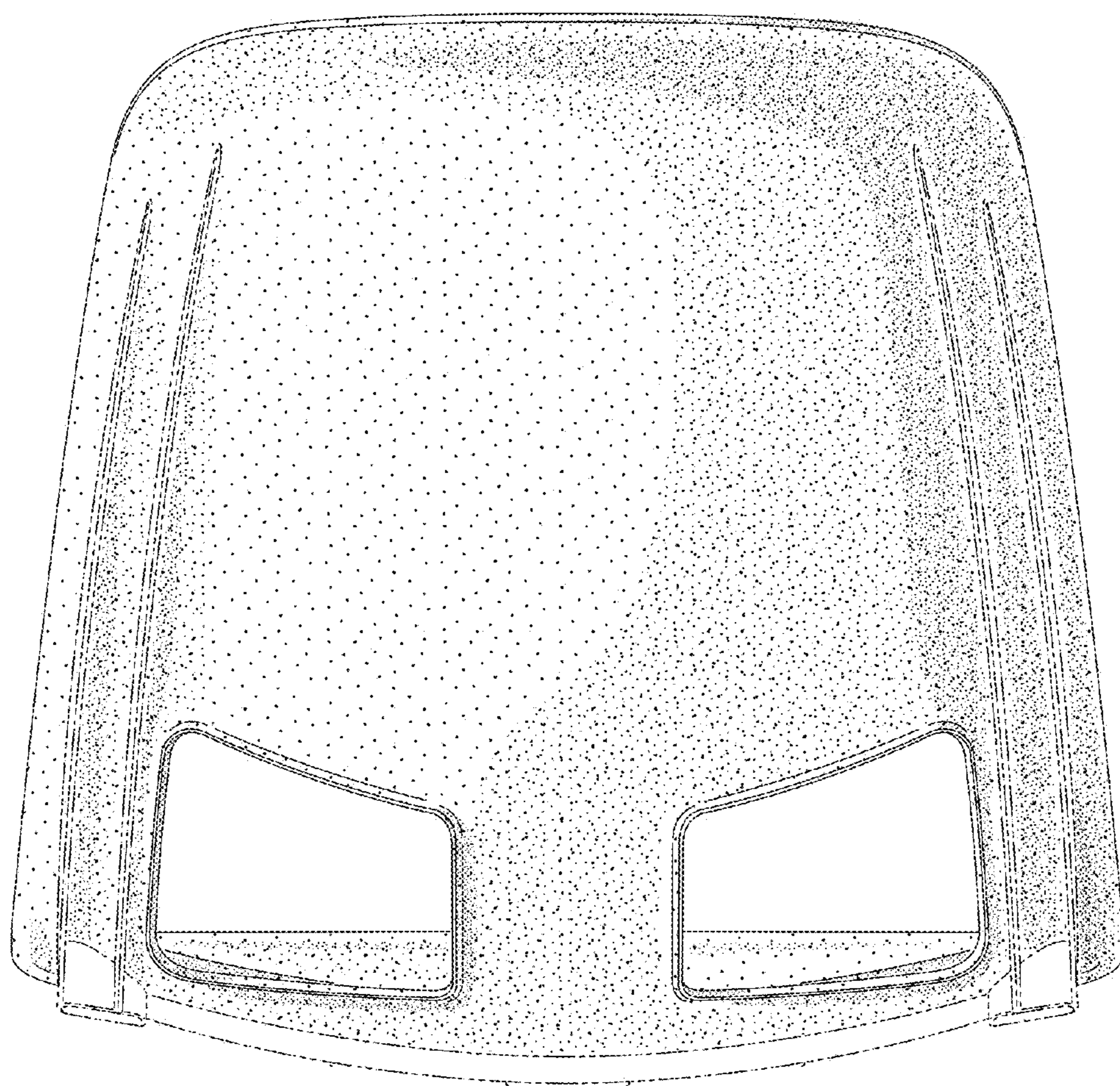


Fig. 10

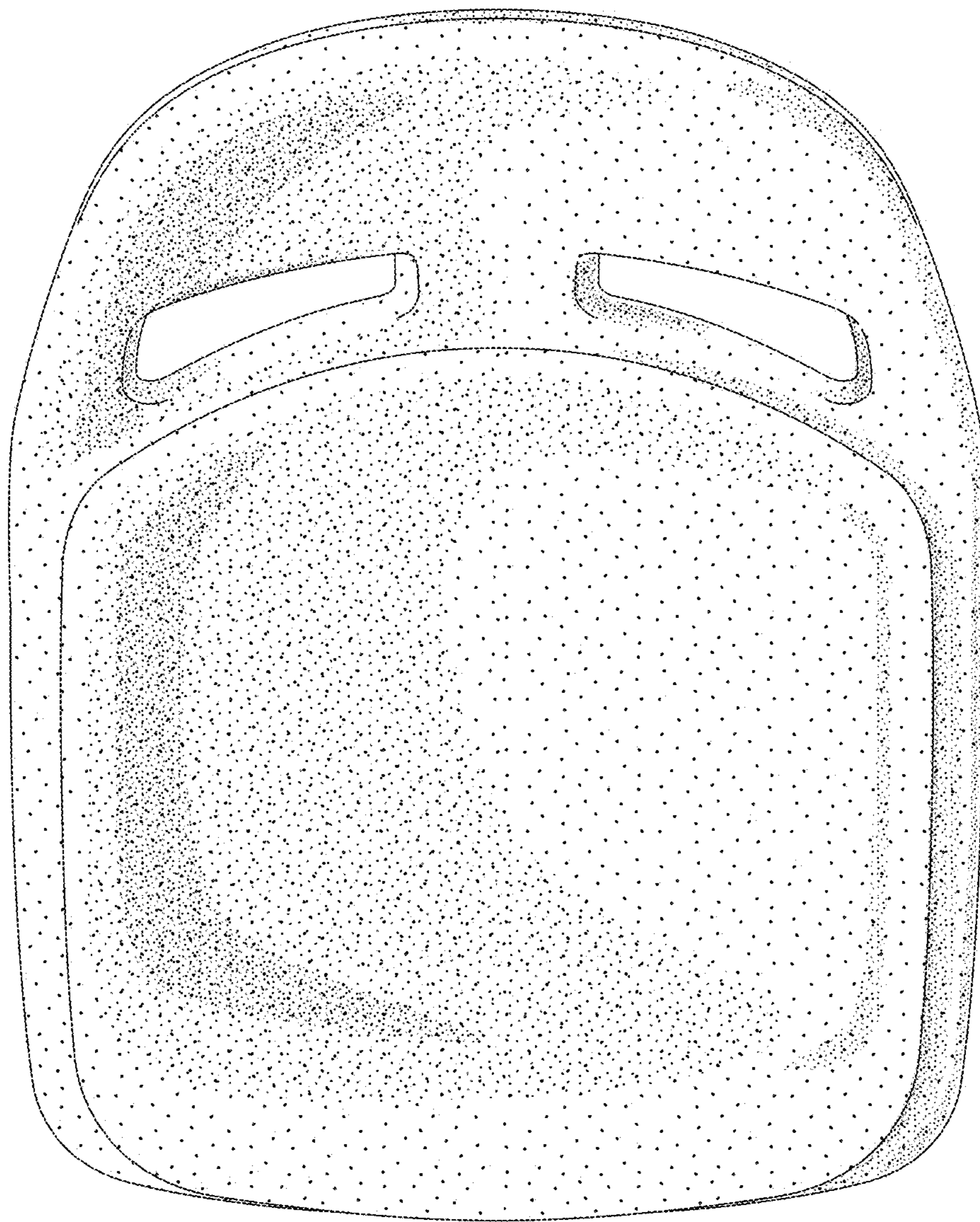


Fig. 11

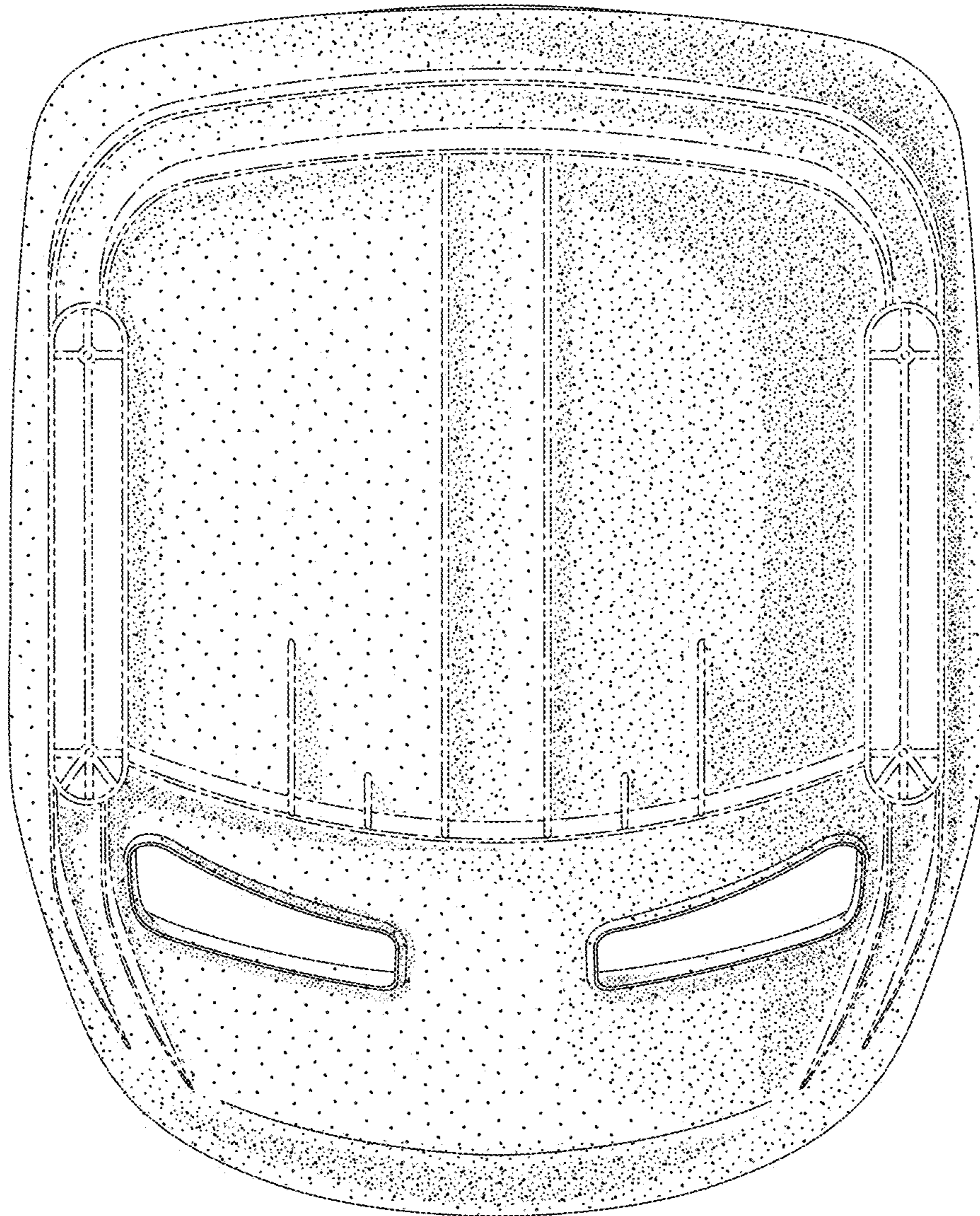


Fig. 12