



US00D683558S

(12) **United States Design Patent**  
**Rada et al.**

(10) **Patent No.:** **US D683,558 S**  
(45) **Date of Patent:** **\*\* Jun. 4, 2013**

(54) **CHAIR**

(75) Inventors: **Christopher S. Rada**, Muscatine, IA (US); **David E. Mehaffey**, Muscatine, IA (US); **Jeremy S. Rolfs**, Shelby Township, MI (US)

(73) Assignee: **HNI Technologies Inc.**, Muscatine, IA (US)

(\*\*) Term: **14 Years**

(21) Appl. No.: **29/405,941**

(22) Filed: **Nov. 8, 2011**

(51) **LOC (9) Cl.** ..... **06-01**

(52) **U.S. Cl.**  
USPC ..... **D6/500; D6/375**

(58) **Field of Classification Search**  
USPC ..... D6/334-336, 366, 371-373, 374, D6/375, 376, 379, 380, 500-502; 297/183.7, 297/239, 452.12, 452.14, 452.2, 452.21, 297/452.29, 452.46  
See application file for complete search history.

(56) **References Cited**

**U.S. PATENT DOCUMENTS**

D192,029 S *	1/1962	Avedon .....	D6/375
D202,550 S *	10/1965	Kramer .....	D6/375
D255,184 S *	6/1980	Locher .....	D6/375
D360,083 S *	7/1995	Lohmeyer .....	D6/375
D503,559 S *	4/2005	Glass et al. ....	D6/372
D513,911 S *	1/2006	Glass et al. ....	D6/502

D544,230 S *	6/2007	Glass et al. ....	D6/375
D566,979 S	4/2008	Cox et al.	
D572,049 S *	7/2008	Kerr .....	D6/500
D611,740 S *	3/2010	Koh .....	D6/500
D648,561 S *	11/2011	Johansson .....	D6/375
D648,564 S *	11/2011	Johansson .....	D6/375

**FOREIGN PATENT DOCUMENTS**

WO WO2008066724 A2 6/2008

\* cited by examiner

*Primary Examiner* — Mimoso De

(74) *Attorney, Agent, or Firm* — Faegre Baker Daniels LLP

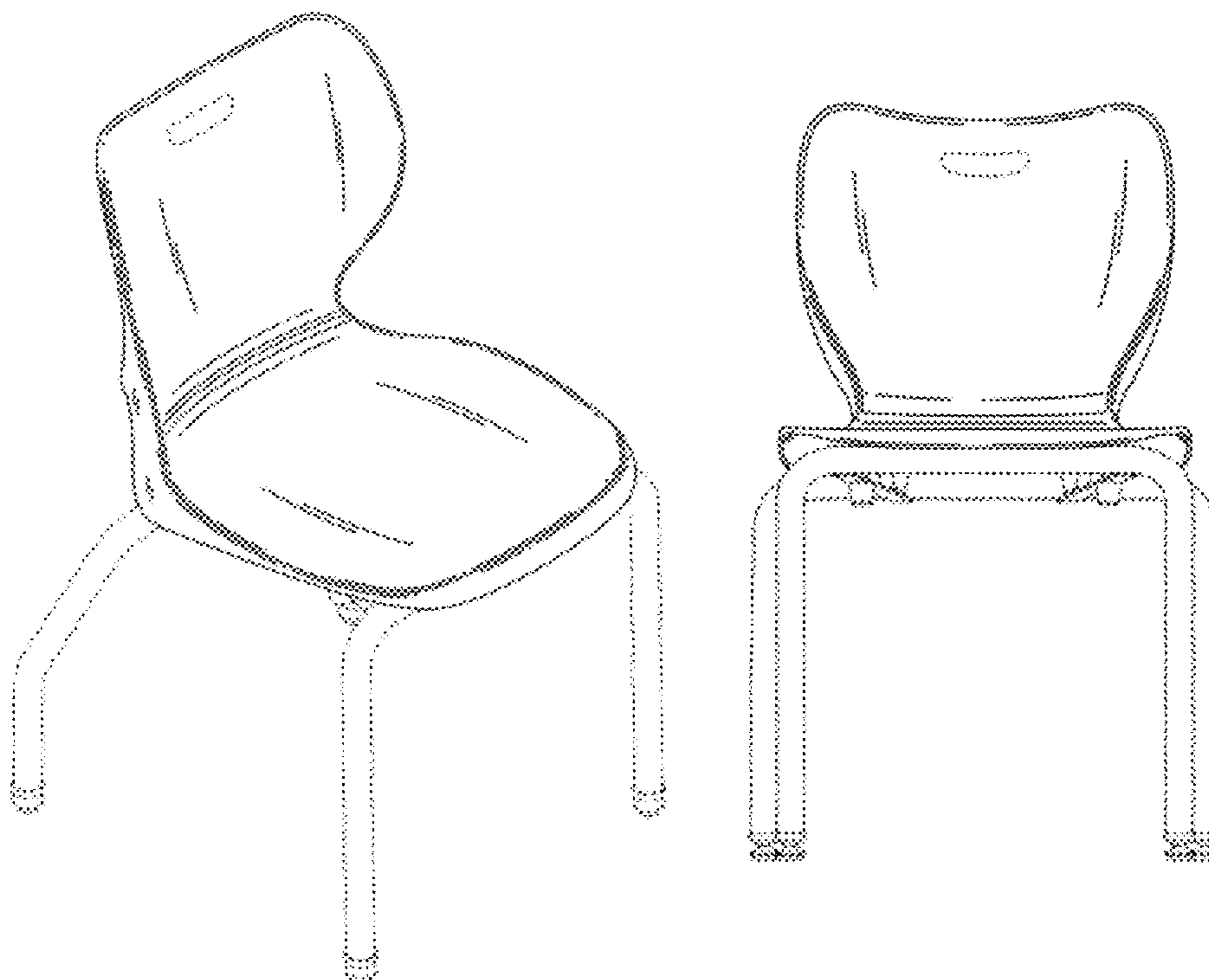
(57) **CLAIM**

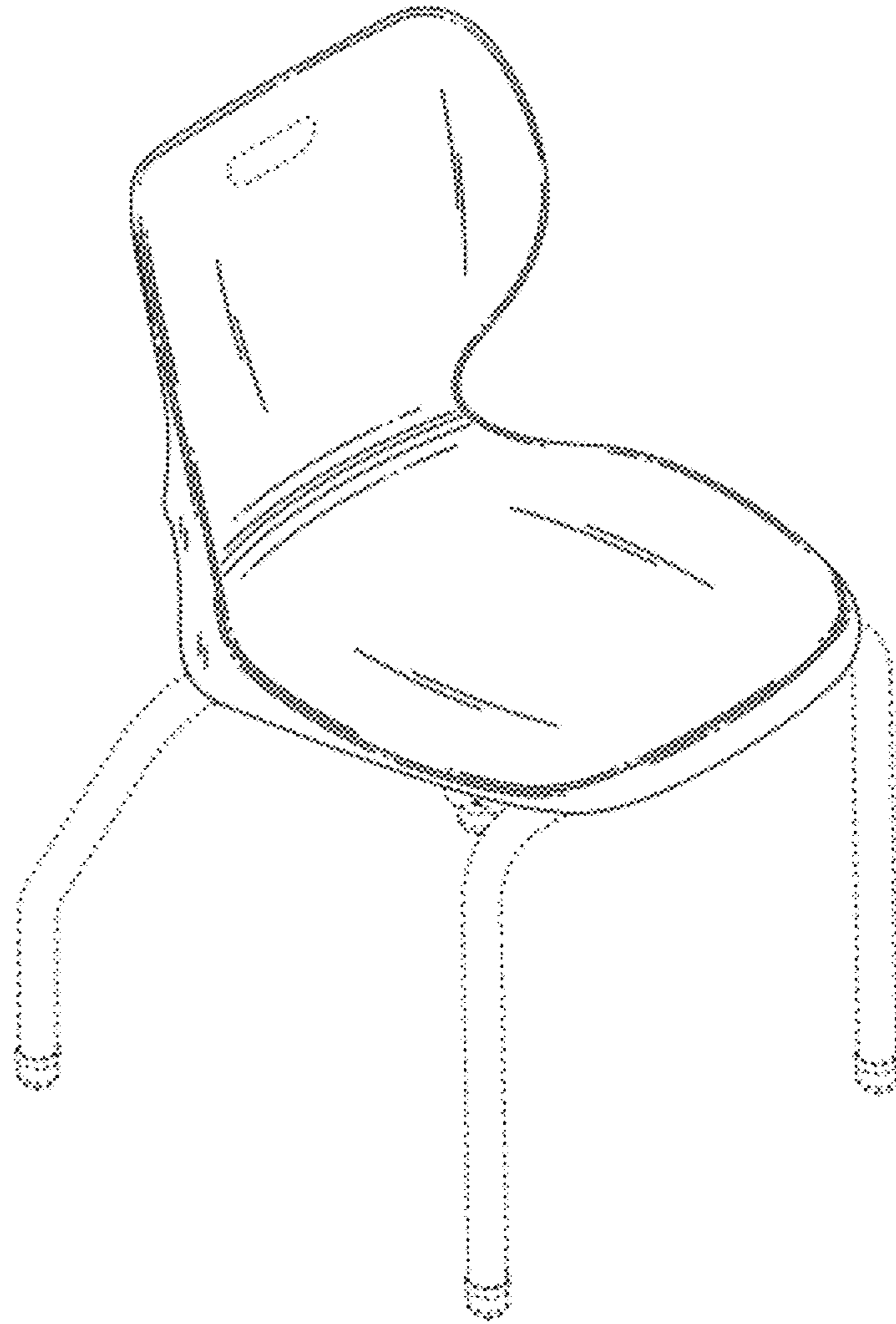
The ornamental design for a chair, as shown and described.

**DESCRIPTION**

FIG. 1 is an isometric view of a chair from a first, top perspective;  
FIG. 2 is a front view of the embodiment of FIG. 1;  
FIG. 3 is a back view of the embodiment of FIG. 1;  
FIG. 4 is a top view of the embodiment of FIG. 1;  
FIG. 5 is a bottom view of the embodiment of FIG. 1;  
FIG. 6 is a side view of the embodiment of FIG. 1, an opposite side of the embodiment of FIG. 1 being a substantially identical mirror image; and,  
FIG. 7 is an isometric view of the embodiment of FIG. 1 from a second, bottom perspective.  
The broken lines showing of the bottom support assembly of the embodiment of FIG. 1 are for illustrative purposes only and form no part of the claimed design.

**1 Claim, 5 Drawing Sheets**





**Fig. 1**

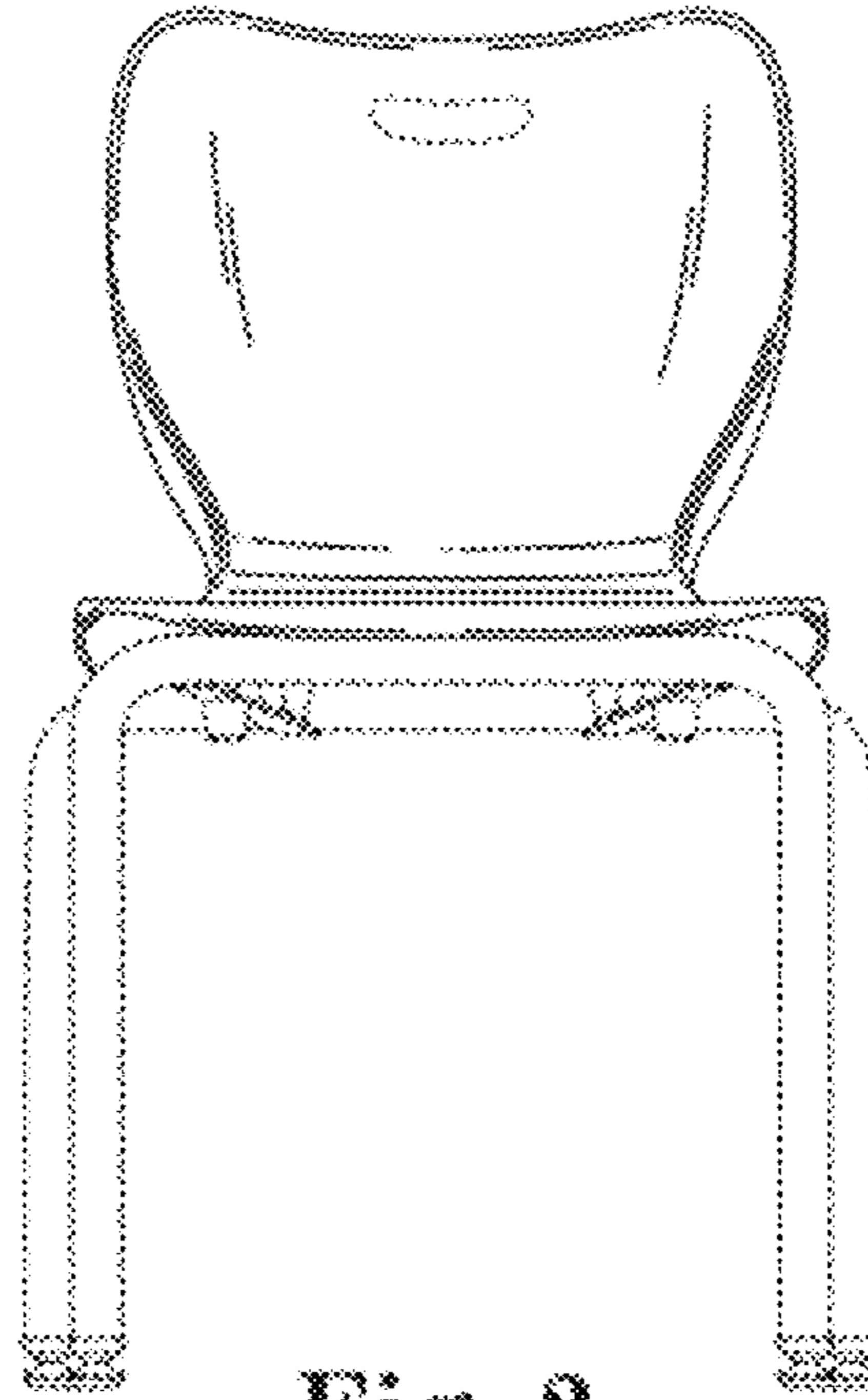


Fig. 2

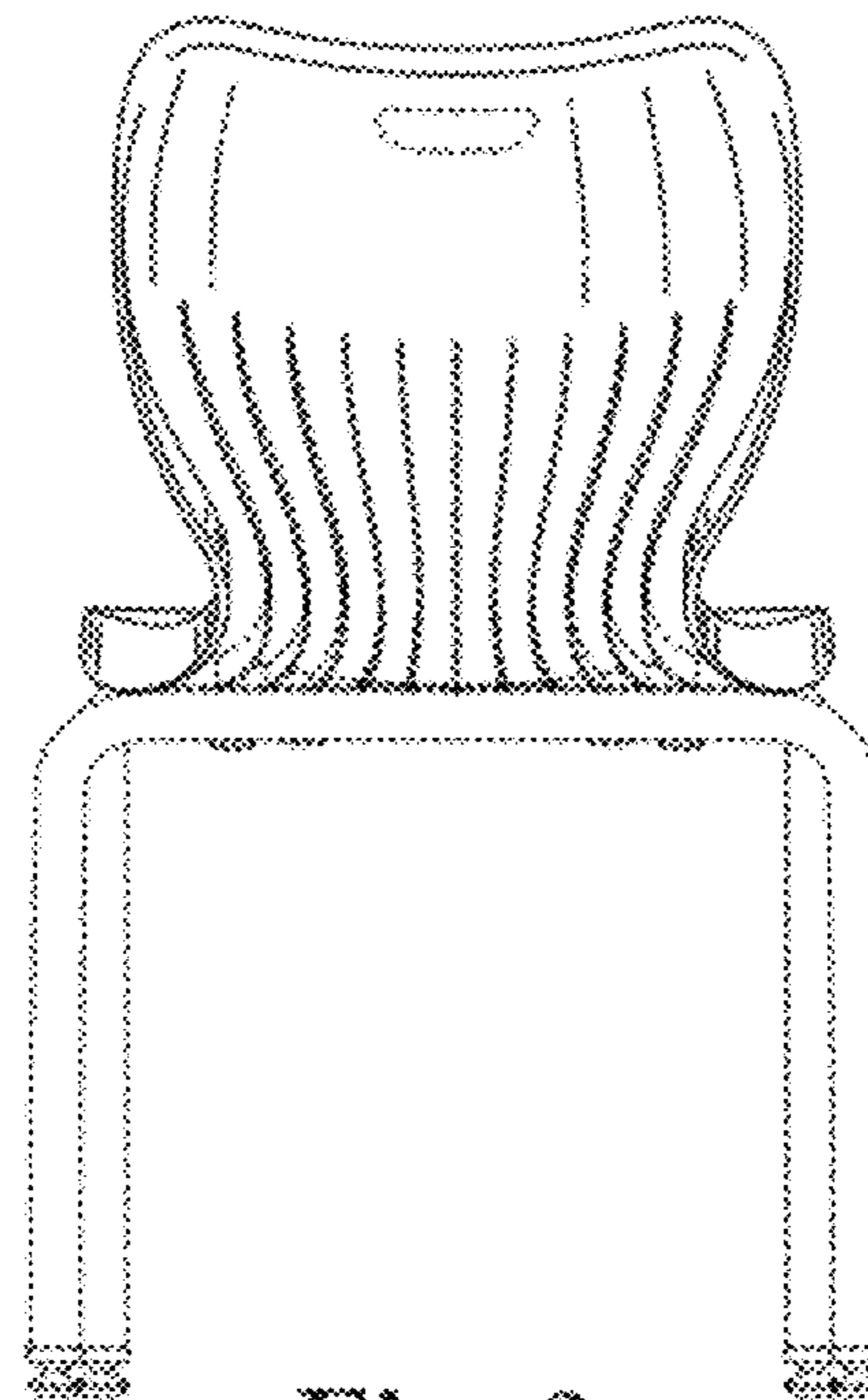
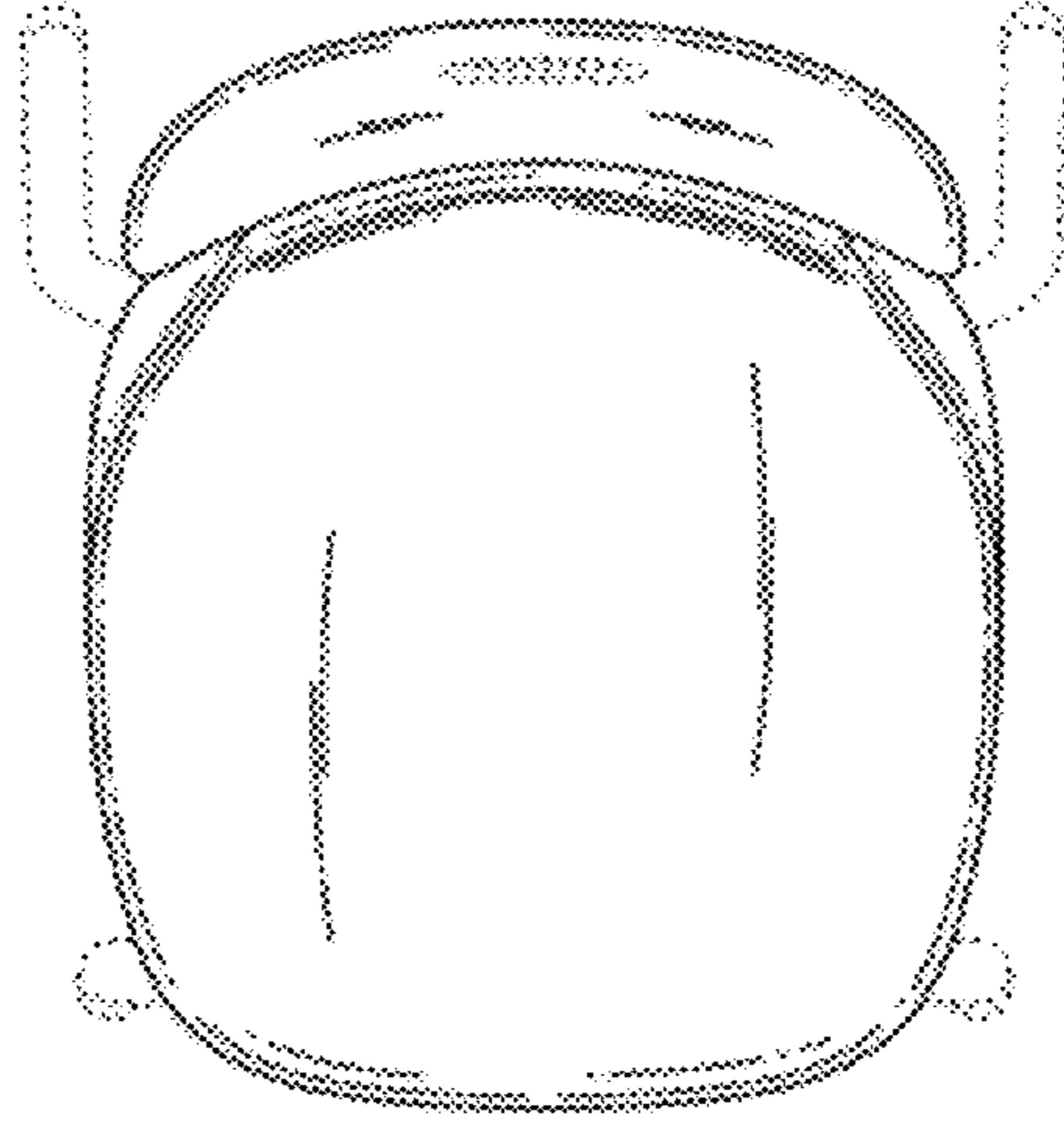
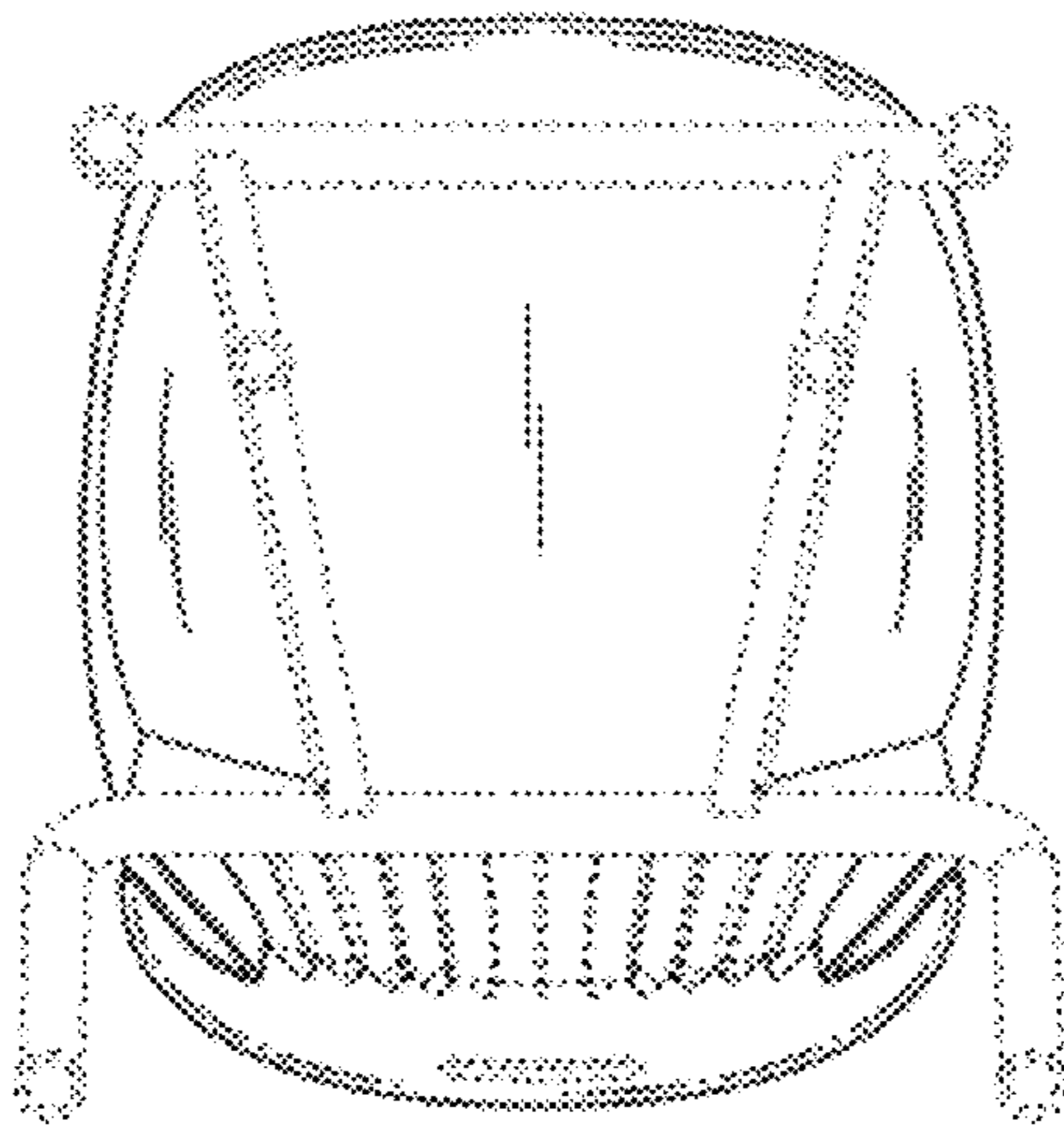


Fig. 3



**Fig. 4**



**Fig. 5**

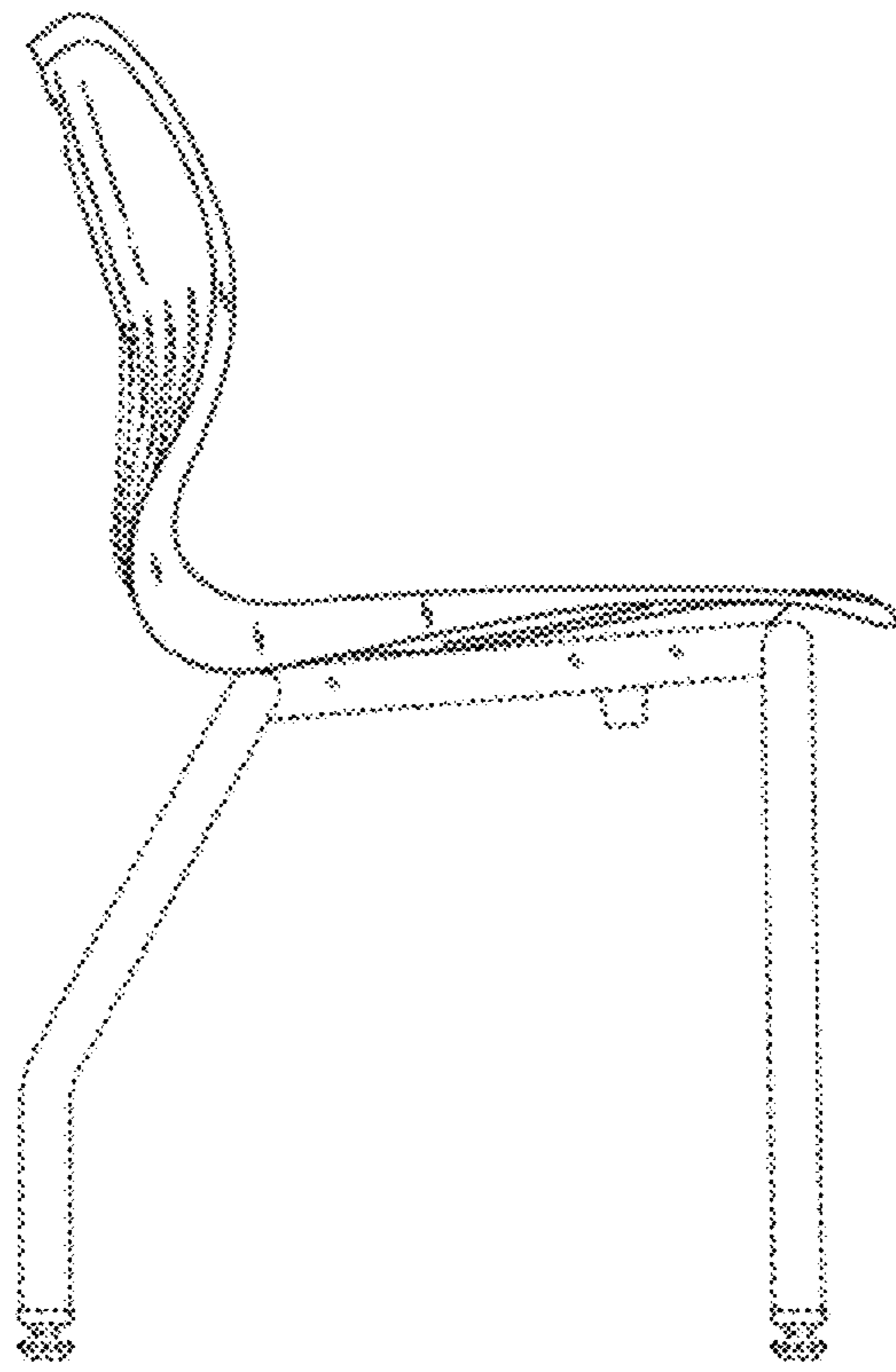


Fig. 6

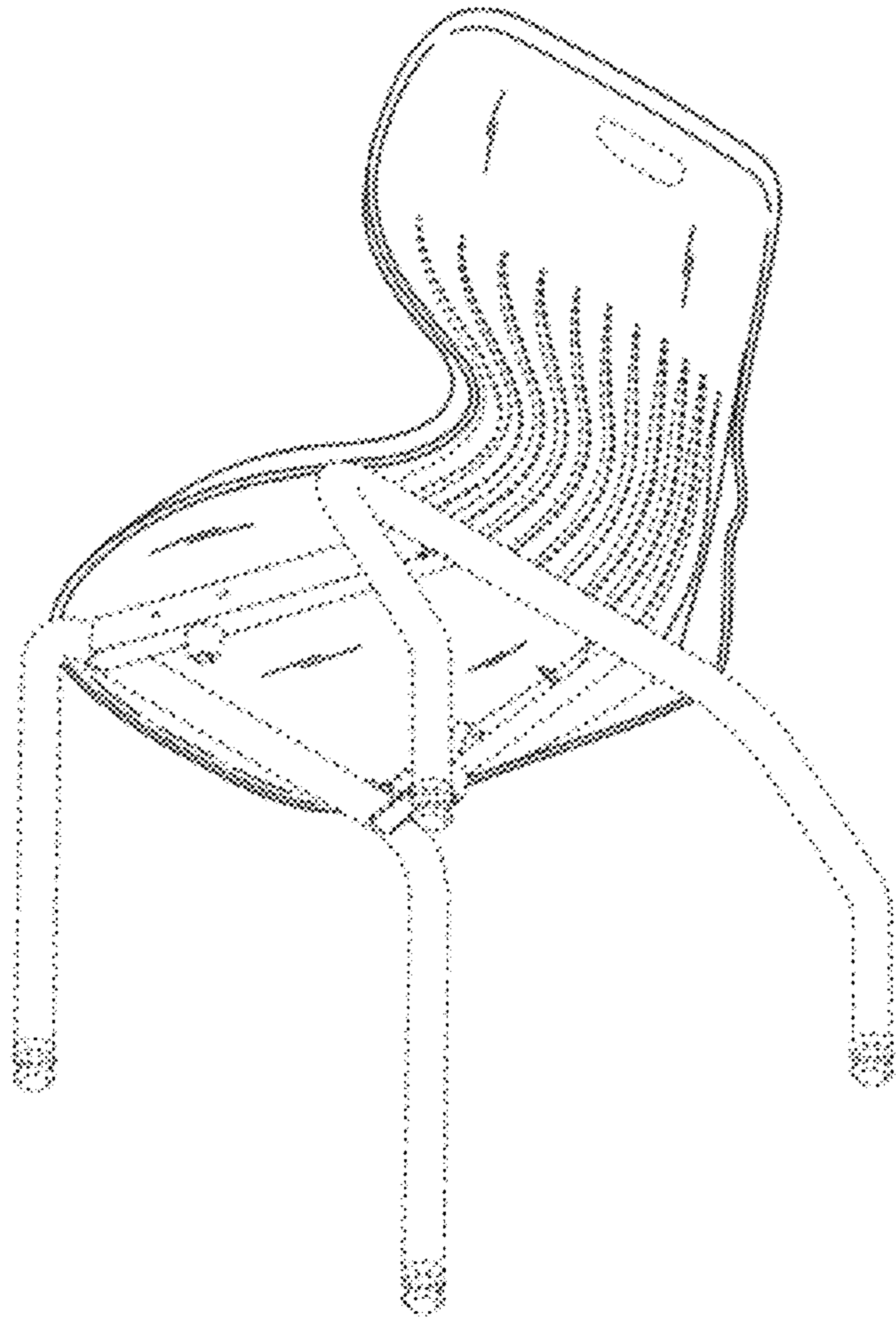


Fig. 7