



US00D683555S

(12) **United States Design Patent**
Brown

(10) **Patent No.:** **US D683,555 S**
(45) **Date of Patent:** **** Jun. 4, 2013**

(54) **HANDHELD ELECTRONIC DEVICE
DISPLAY**

(75) Inventor: **Jaime Brown**, Milton, GA (US)

(73) Assignee: **Global Cellular, Inc.**, Alpharetta, GA (US)

(**) Term: **14 Years**

(21) Appl. No.: **29/395,420**

(22) Filed: **Jan. 17, 2012**

(51) **LOC (9) Cl.** **06-06**

(52) **U.S. Cl.**
USPC **D6/473**

(58) **Field of Classification Search**
USPC D6/449–450, 409, 473–476, 477–479,
D6/396; 211/45, 126; 312/7.2, 114
See application file for complete search history.

(56) **References Cited**

U.S. PATENT DOCUMENTS

D160,830 S *	11/1950	Aron	D6/473
2,798,617 A *	7/1957	Schreiber	108/32
RE25,309 E *	1/1963	Adams	248/174
3,687,091 A *	8/1972	Boylan	108/60
D236,306 S *	8/1975	Spieler	D6/473
3,908,830 A *	9/1975	Skrzelowski	211/55
D275,536 S *	9/1984	Sandy	D6/473
D276,777 S *	12/1984	Evenson	D6/473
D279,528 S *	7/1985	Kingsley	D6/473
D279,529 S *	7/1985	Denhoff	D6/474
D286,960 S *	12/1986	Taub	D6/475
D322,523 S *	12/1991	Brooks et al.	D6/409
D340,156 S *	10/1993	Bonazza et al.	D6/476
D369,035 S *	4/1996	Potter	D6/464
D372,138 S *	7/1996	Pasquale et al.	D6/437
D372,816 S *	8/1996	Rose et al.	D6/473
D386,919 S *	12/1997	Adenau et al.	D6/473

D395,563 S *	6/1998	Hamilton, III	D6/474
D450,485 S *	11/2001	Buchanan et al.	D6/474
D451,704 S *	12/2001	Curci	D6/463
D455,914 S *	4/2002	Campello et al.	D6/449
D473,071 S *	4/2003	Campello	D6/449
D482,207 S *	11/2003	Richardson et al.	D6/396
D509,700 S *	9/2005	Weatherby	D6/630
D532,218 S *	11/2006	Caldwell et al.	D6/468
D624,334 S *	9/2010	Linder	D6/476
D631,679 S *	2/2011	Woelfel	D6/474
D641,986 S *	7/2011	Giroux et al.	D6/396
D650,013 S *	12/2011	Yi et al.	D19/90
D667,239 S *	9/2012	Brozak et al.	D6/460
D669,284 S *	10/2012	Canavan et al.	D6/473
8,307,998 B2 *	11/2012	Belk et al.	211/55

* cited by examiner

Primary Examiner — Kelley Donnelly

(74) *Attorney, Agent, or Firm* — Kilpatrick Townsend & Stockton LLP

(57) **CLAIM**

The ornamental design for a handheld electronic device display, as shown and described.

DESCRIPTION

FIG. 1 is a perspective view of a handheld electronic device display;

FIG. 2 is a front view thereof;

FIG. 3 is a left side view thereof, the right side view being a mirror image;

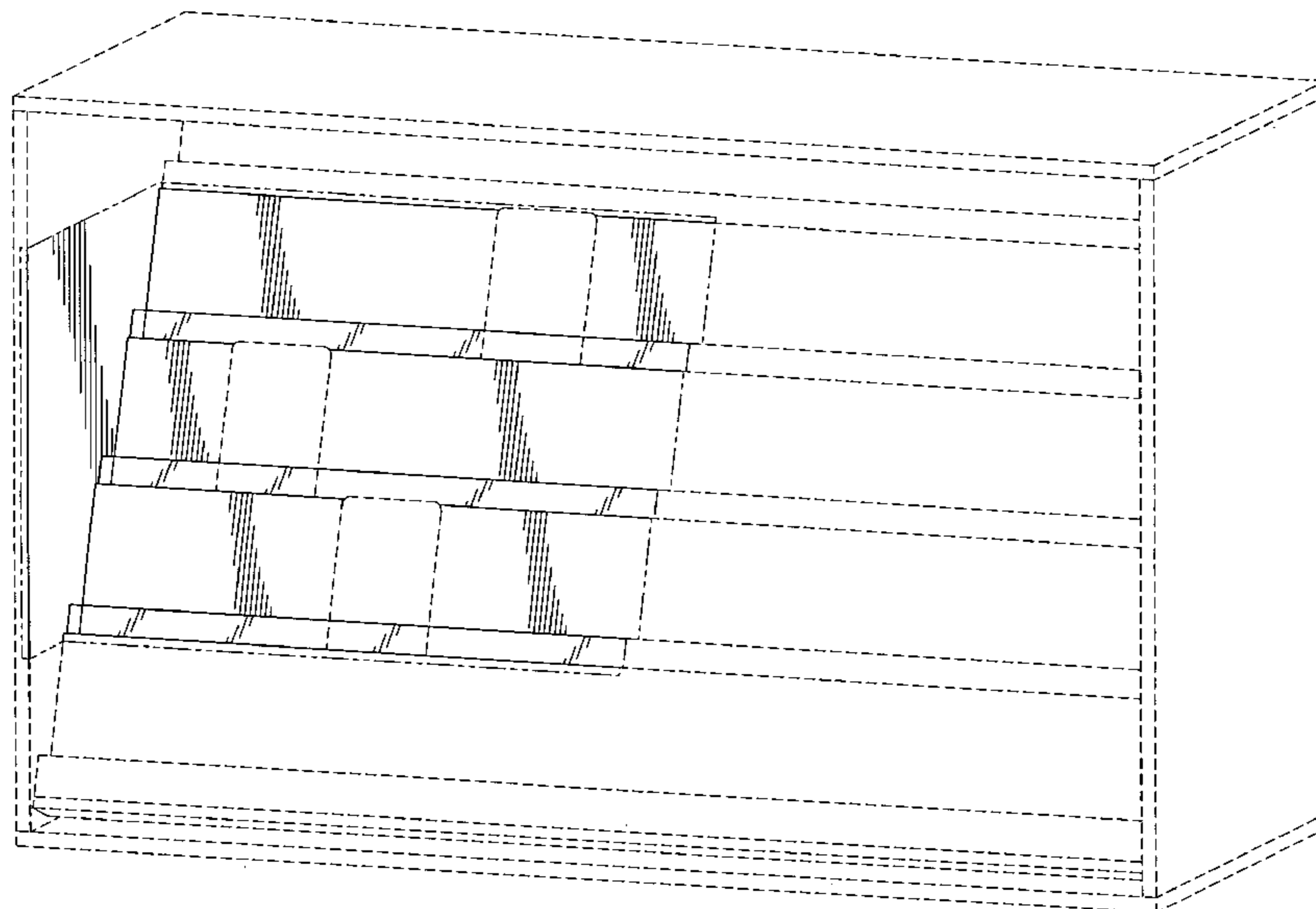
FIG. 4 is a top view thereof; and,

FIG. 5 is a sectional view taken along lines 5-5 in FIG. 2.

The broken line showing is for the purposes of illustrating the environment of the article and forms no part of the claimed design.

The long, short, long dashed broken lines that define the bounds of the claimed design form no part thereof.

1 Claim, 5 Drawing Sheets



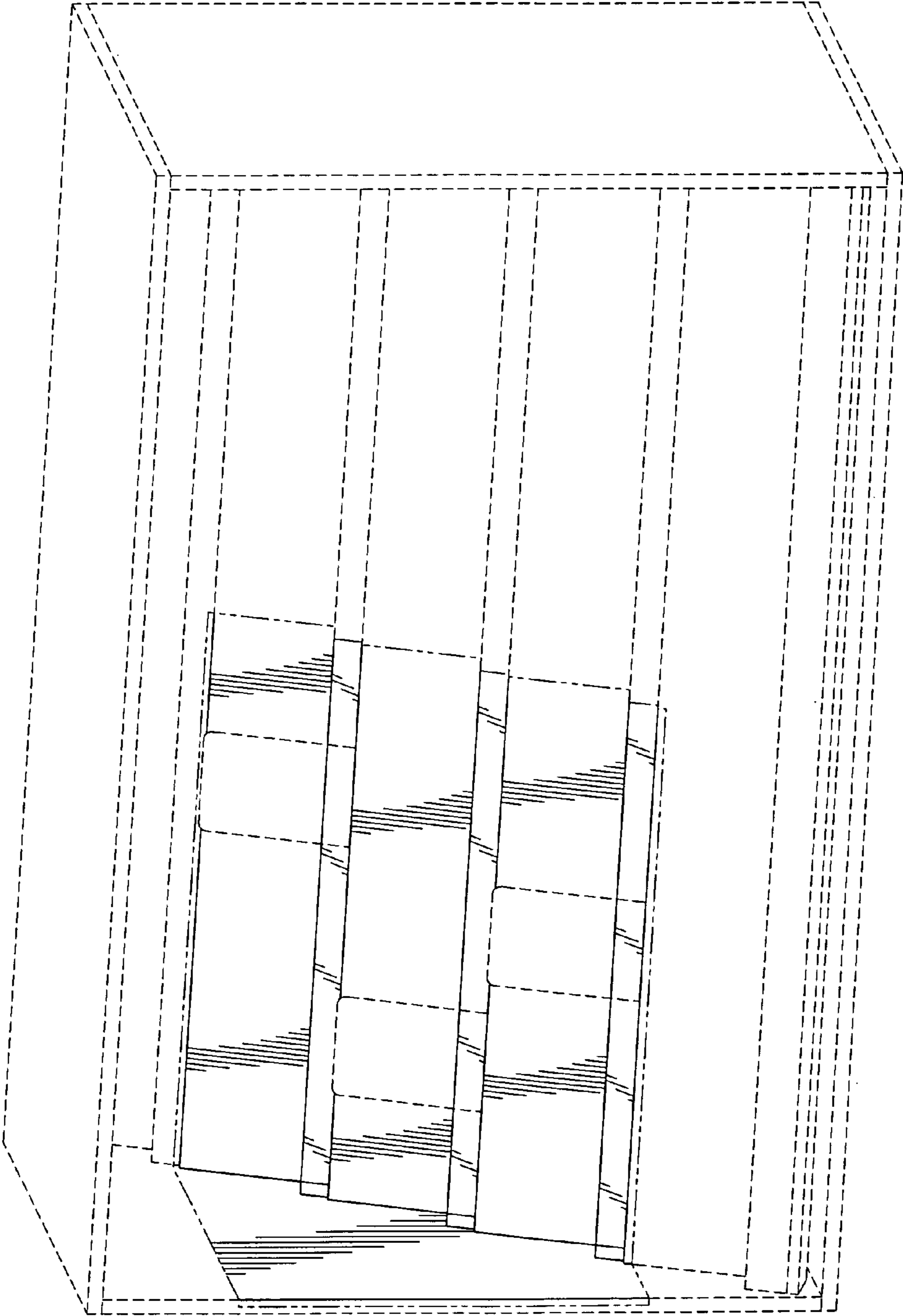


FIG. 1

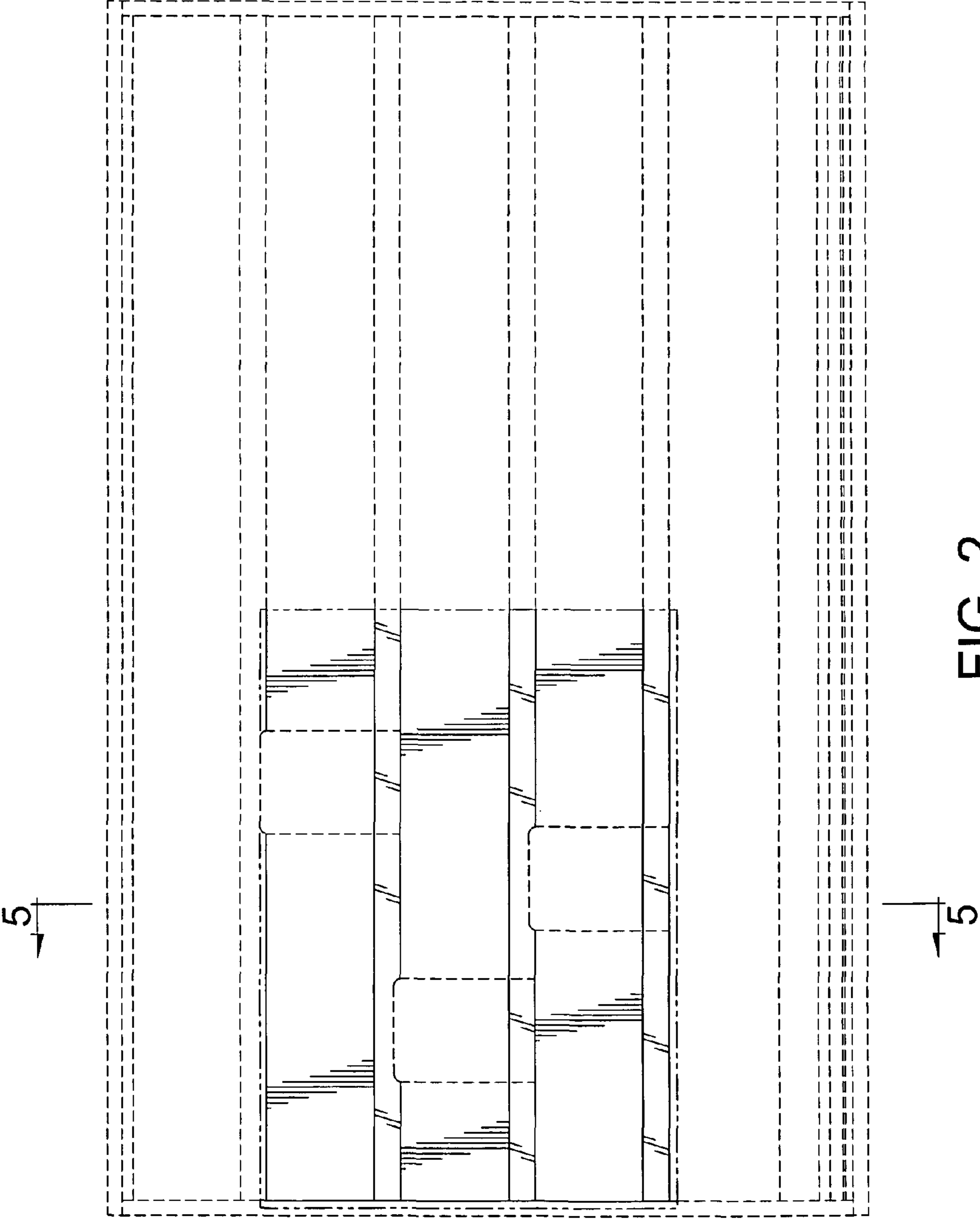


FIG. 2



FIG. 3

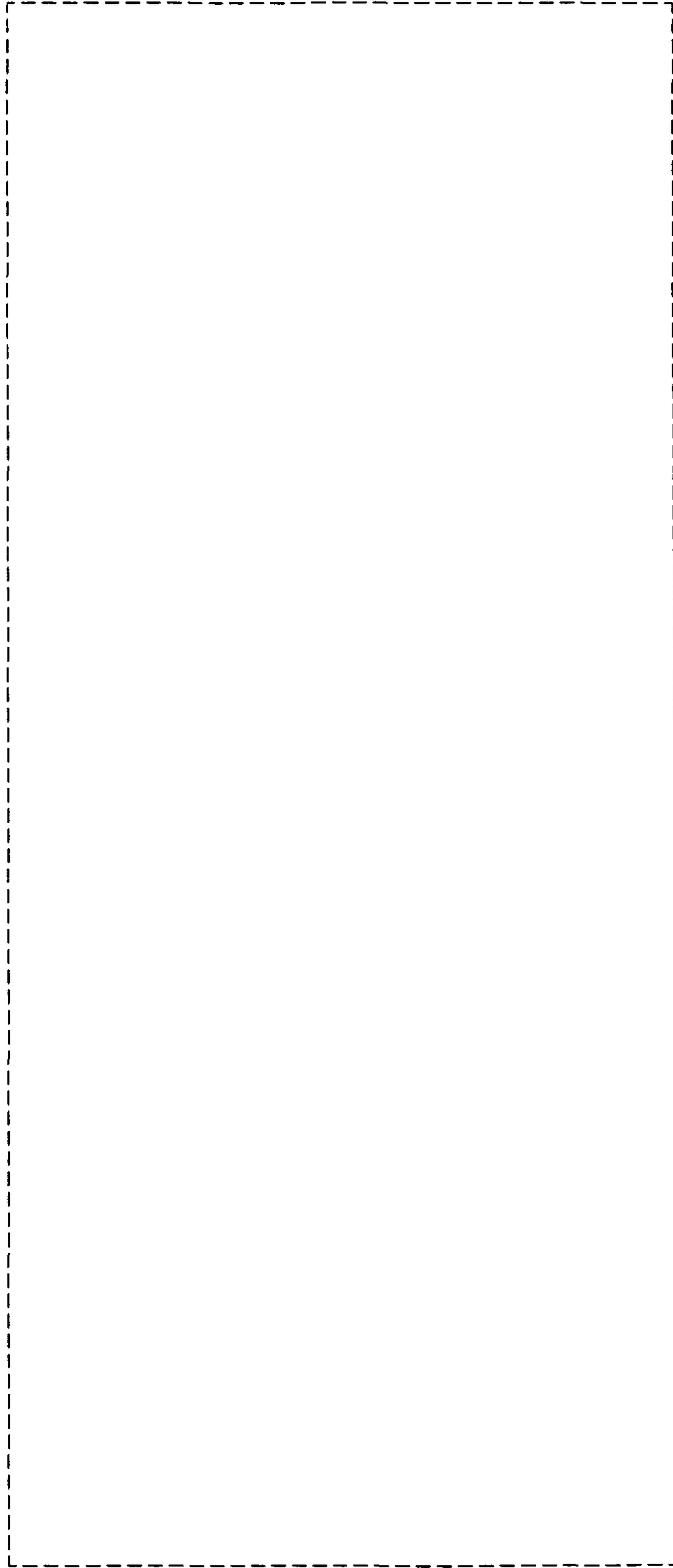


FIG. 4

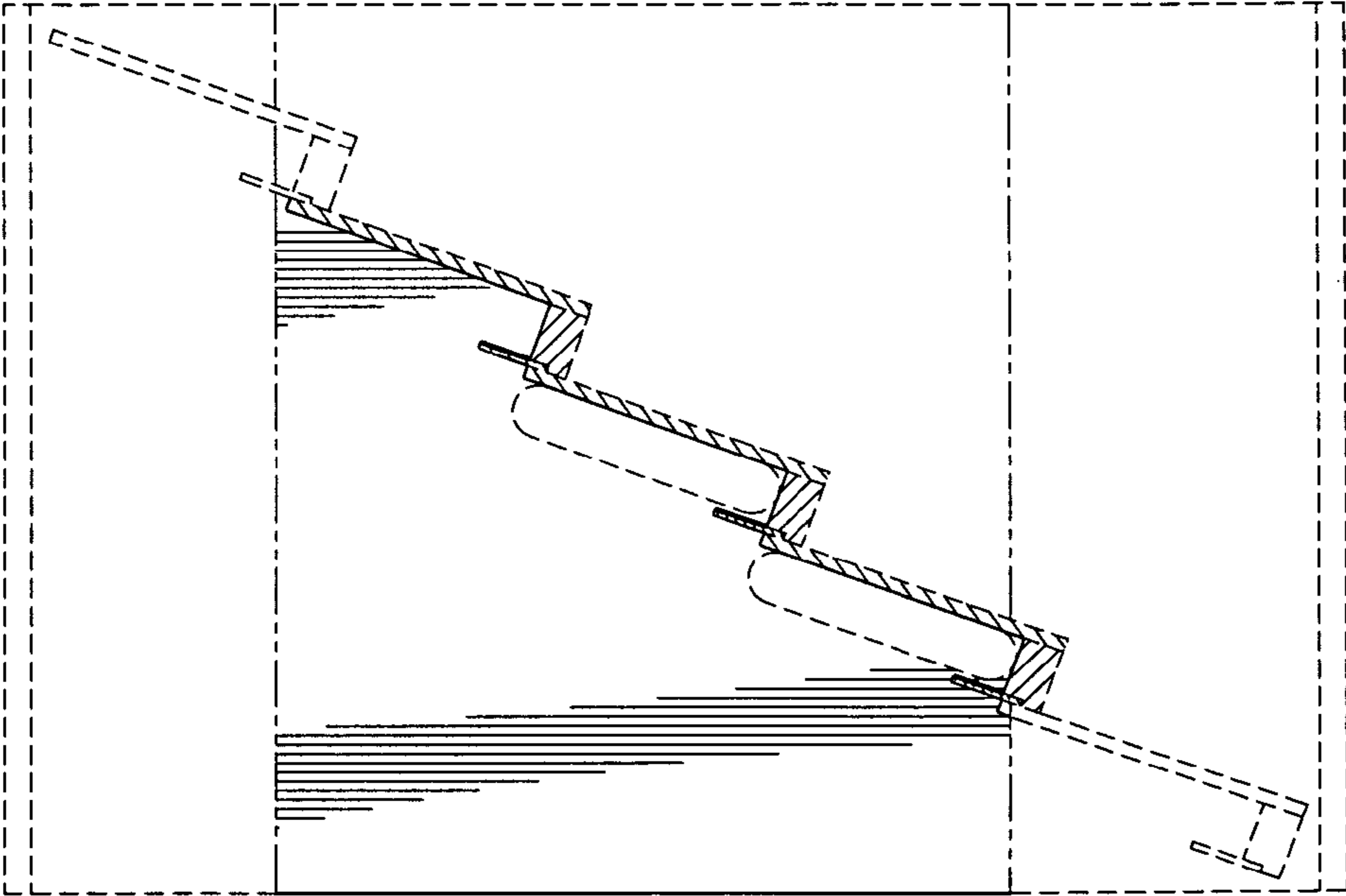


FIG. 5