



US00D683554S

(12) **United States Design Patent**
Kikkert et al.

(10) **Patent No.:** **US D683,554 S**
(45) **Date of Patent:** **** Jun. 4, 2013**

(54) **RETAIL DISPLAY FIXTURE**
(75) Inventors: **Janice Angela Kikkert**, Fordwich (CA);
Kevin Roy Sugden, Toronto (CA);
Ingye Holmung, Toronto (CA); **Todd**
Andrew Wood, Toronto (CA); **Rodrigo**
Castaneda Ramirez, Toronto (CA)
(73) Assignee: **Research In Motion Limited**, Waterloo,
Ontario (CA)

D377,170 S * 1/1997 Wilson D14/130
D395,129 S * 6/1998 Johnson D99/28
D414,485 S * 9/1999 Hazan D14/130
D415,330 S * 10/1999 King D99/28
D467,561 S * 12/2002 Kosciolek D14/451
D497,496 S * 10/2004 Stewart D6/443
D497,737 S * 11/2004 Stewart D6/443
D532,782 S * 11/2006 Russo et al. D14/307
D533,176 S * 12/2006 Becker et al. D14/307
D628,742 S * 12/2010 Hsu D28/9
8,308,554 B2 * 11/2012 Rowe et al. 463/25

* cited by examiner

Primary Examiner — Sydney Buffalow

(**) Term: **14 Years**
(21) Appl. No.: **29/430,861**

(22) Filed: **Aug. 30, 2012**
(51) **LOC (9) Cl.** **06-04**
(52) **U.S. Cl.**
USPC **D6/449**

(57) **CLAIM**
We claim the ornamental design for a retail display fixture, as shown and described.

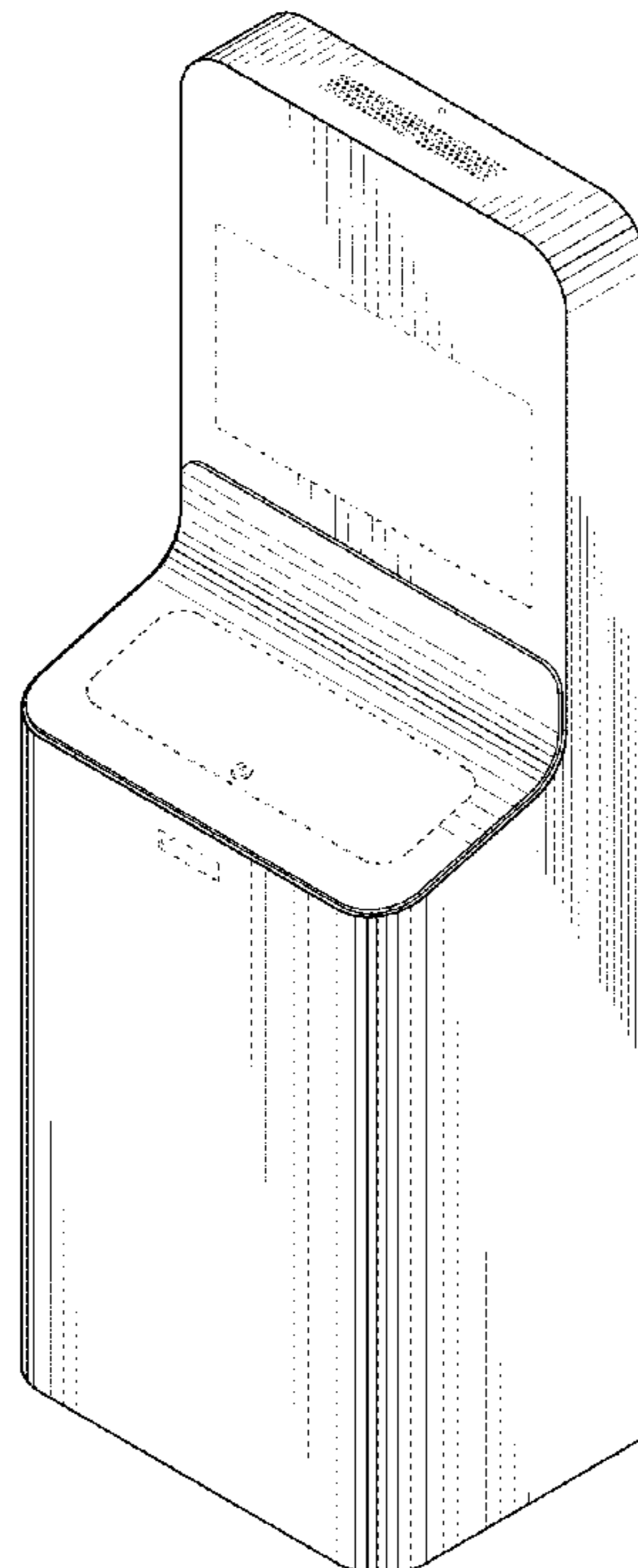
(58) **Field of Classification Search**
USPC D6/495, 449, 396, 397, 398, 432,
D6/343, 469, 436, 445, 443; D14/307, 305,
D14/100, 102, 107-109, 127, 130, 451;
D15/133; 705/14.14; 396/2; 211/70.5, 87.01;
312/208.1; 194/206; D99/28, 43; D28/9; 463/25
See application file for complete search history.

DESCRIPTION

FIG. 1 is a front perspective view of a retail display fixture;
FIG. 2 is a back perspective view of the retail display fixture;
FIG. 3 is a front elevational view thereof;
FIG. 4 is a back elevational view thereof;
FIG. 5 is a right elevational view thereof;
FIG. 6 is a left elevational view thereof;
FIG. 7 is a top plan view thereof; and,
FIG. 8 is a bottom plan view thereof.
The broken lines shown in the drawings of the retail display fixture are for the purpose of illustrating portions of the article and form no part of the claimed design.

(56) **References Cited**
U.S. PATENT DOCUMENTS
3,258,099 A * 6/1966 Hertzschuch et al. 194/206
D272,291 S * 1/1984 Hauser et al. D99/28
D286,939 S * 11/1986 Barger D99/43
D289,757 S * 5/1987 House D14/127

1 Claim, 6 Drawing Sheets



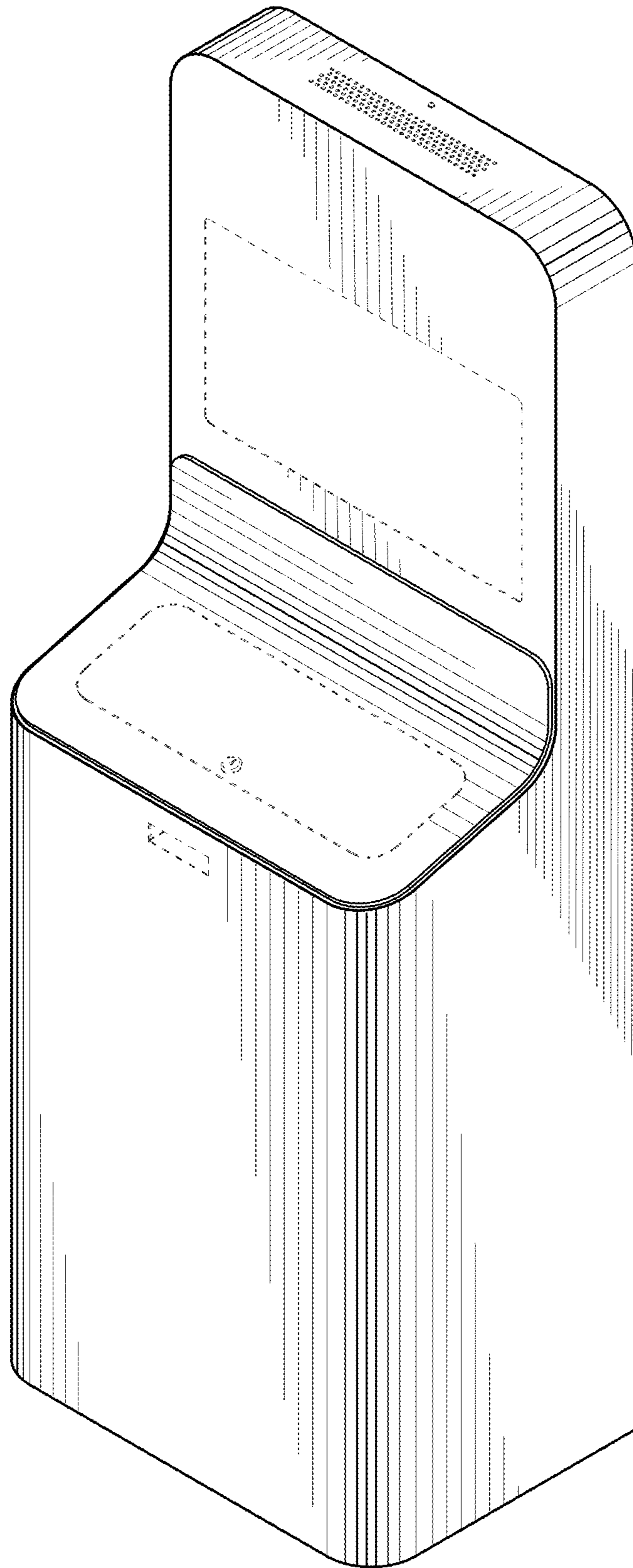


FIG.1

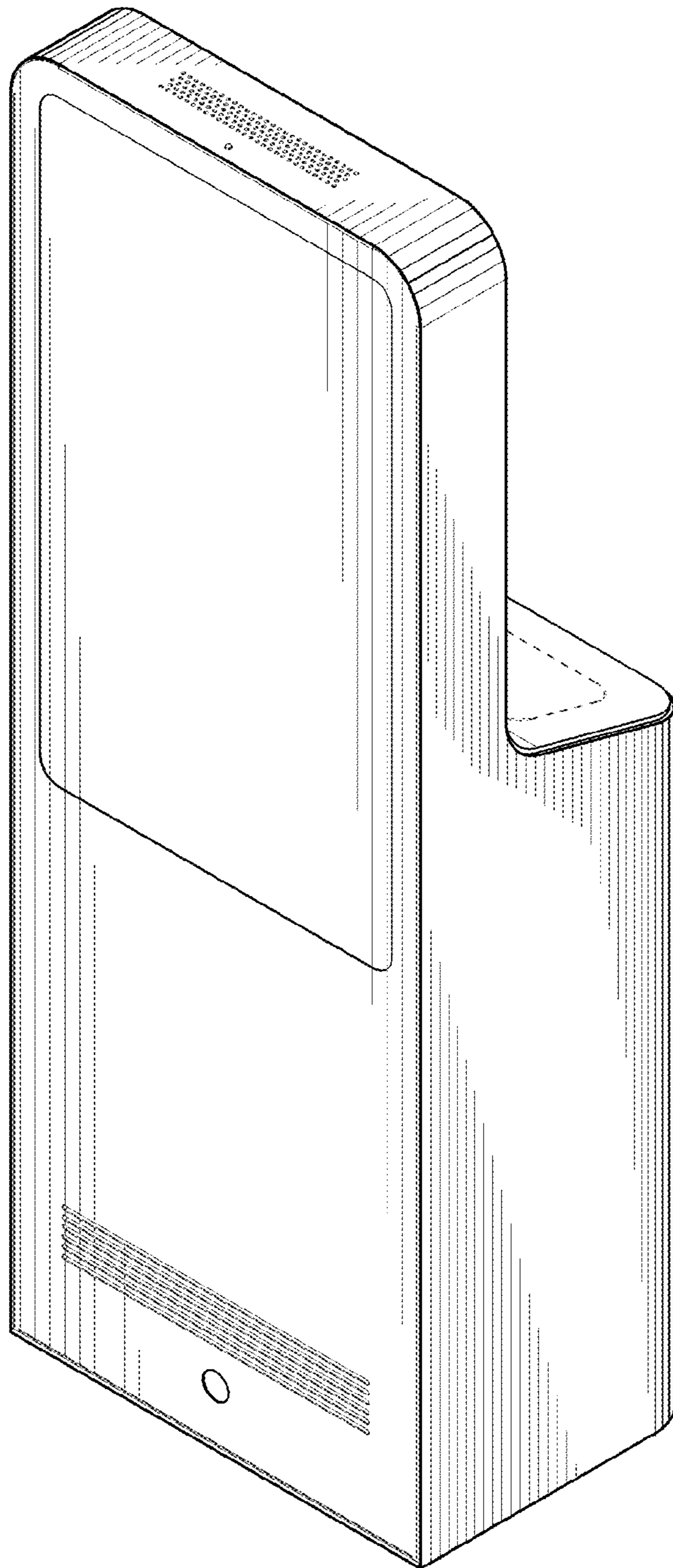


FIG.2

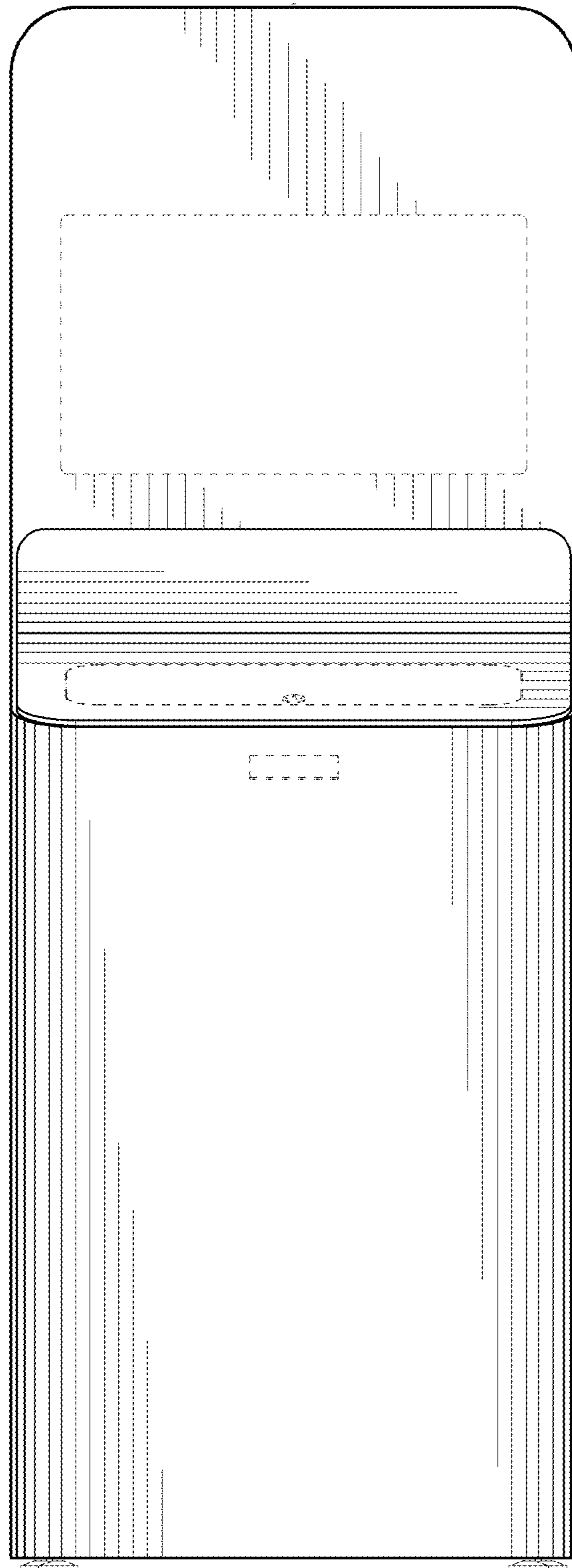


FIG.3

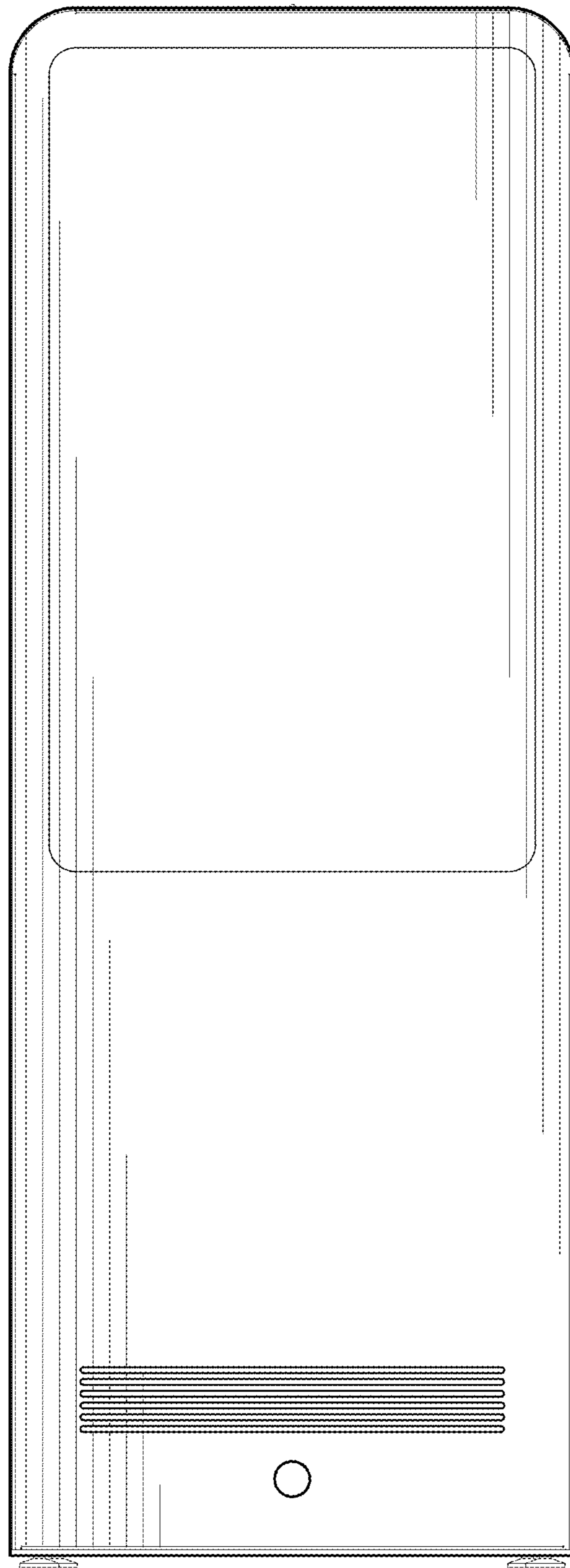


FIG.4

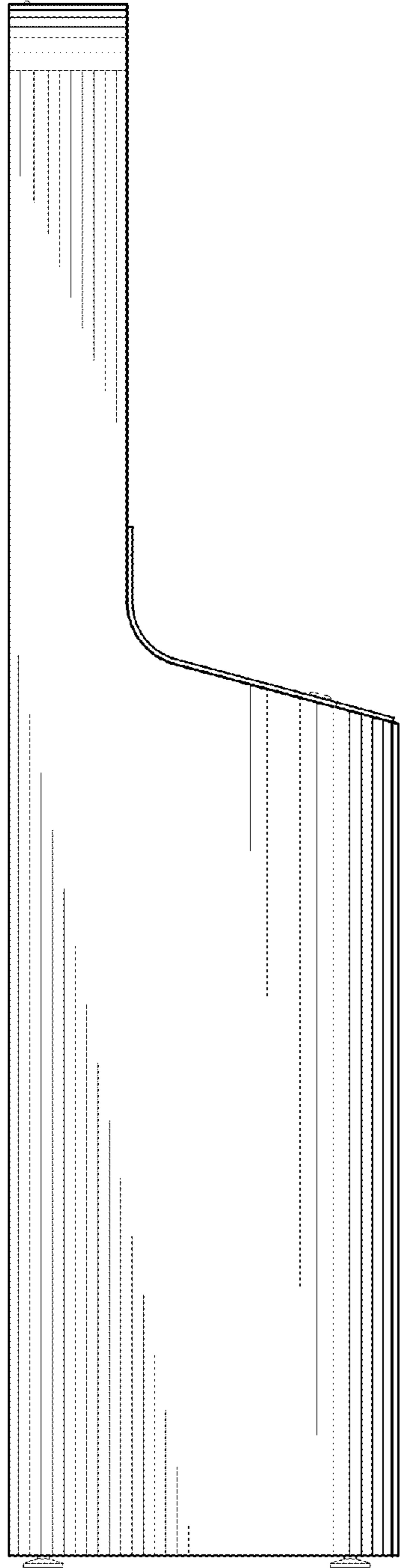


FIG. 5

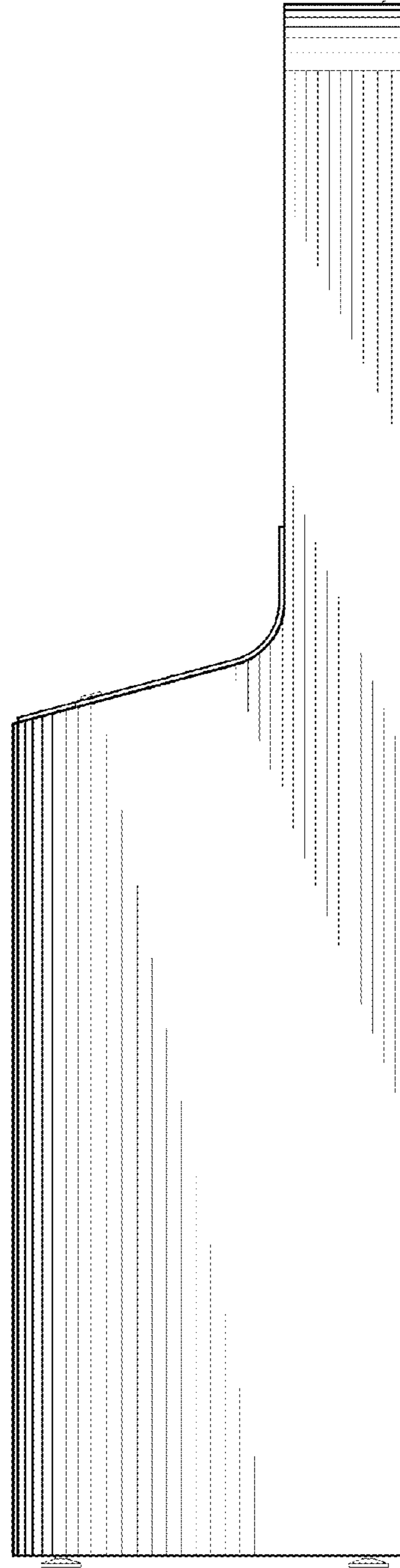


FIG. 6

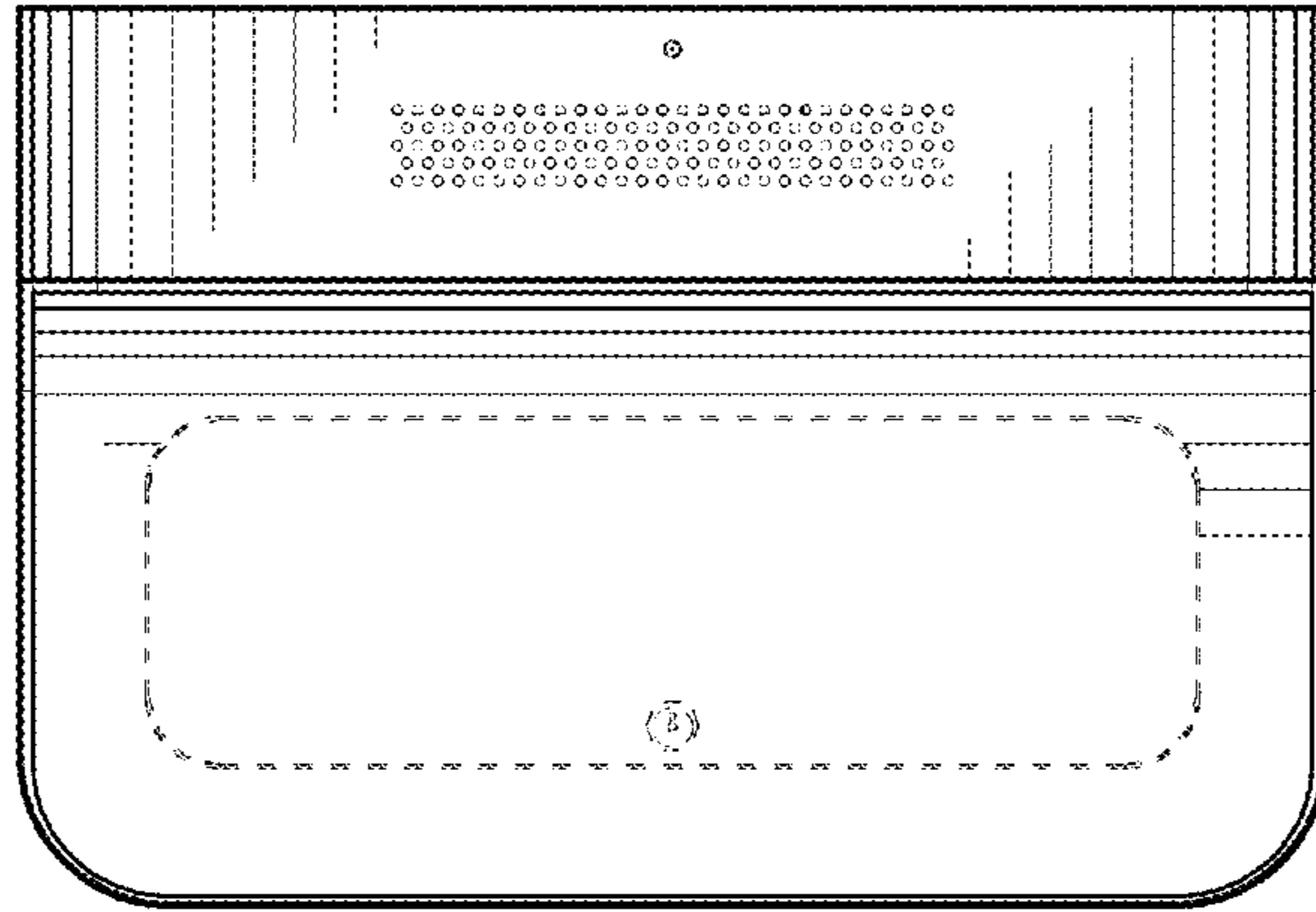


FIG.7

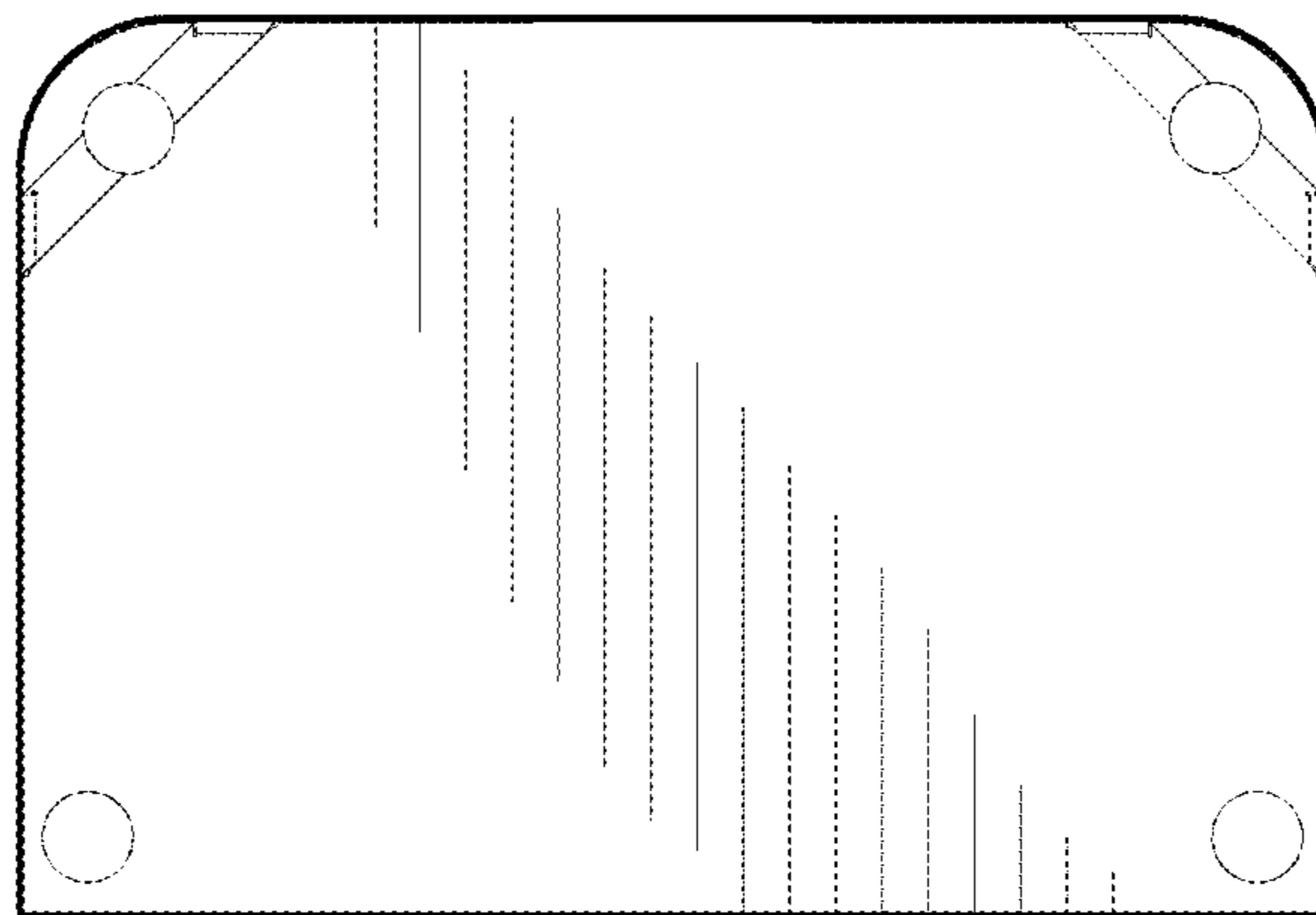


FIG.8