



US00D683553S

(12) **United States Design Patent**
Kikkert et al.

(10) **Patent No.:** **US D683,553 S**
(45) **Date of Patent:** **** Jun. 4, 2013**

(54) **RETAIL DISPLAY FIXTURE**

(75) Inventors: **Janice Angela Kikkert**, Fordwich (CA);
Kevin Roy Sugden, Toronto (CA);
Ingve Holmung, Toronto (CA); **Todd**
Andrew Wood, Toronto (CA); **Rodrigo**
Castaneda Ramirez, London (GB)

(73) Assignee: **Research In Motion Limited**, Waterloo,
Ontario (CA)

(**) Term: **14 Years**

(21) Appl. No.: **29/413,528**

(22) Filed: **Feb. 16, 2012**

(51) **LOC (9) Cl.** **06-07**

(52) **U.S. Cl.**
USPC **D6/449**

(58) **Field of Classification Search**
USPC .. D6/449, 457, 397, 396, 560, 466; D14/463,
D14/149, 171, 314, 900, 307; D3/318; 248/328,
248/174, 460, 470, 473; 211/1, 13.1, 85.26
See application file for complete search history.

(56) **References Cited**

U.S. PATENT DOCUMENTS

D108,281 S * 2/1938 Finch D14/463
D160,048 S * 9/1950 Wise et al. D14/463

D301,100 S * 5/1989 Lee D6/560
D302,811 S * 8/1989 Bratasevec D14/314
D373,902 S * 9/1996 Wang D3/318
7,185,866 B2 * 3/2007 Lee et al. 248/328
D562,302 S * 2/2008 Franck et al. D14/149
D562,330 S * 2/2008 Light et al. D14/451
D572,043 S * 7/2008 Suzuki D6/457
D645,840 S * 9/2011 Silvera D14/171

* cited by examiner

Primary Examiner — Philip S Hyder
Assistant Examiner — Sydney Buffalow

(57) **CLAIM**

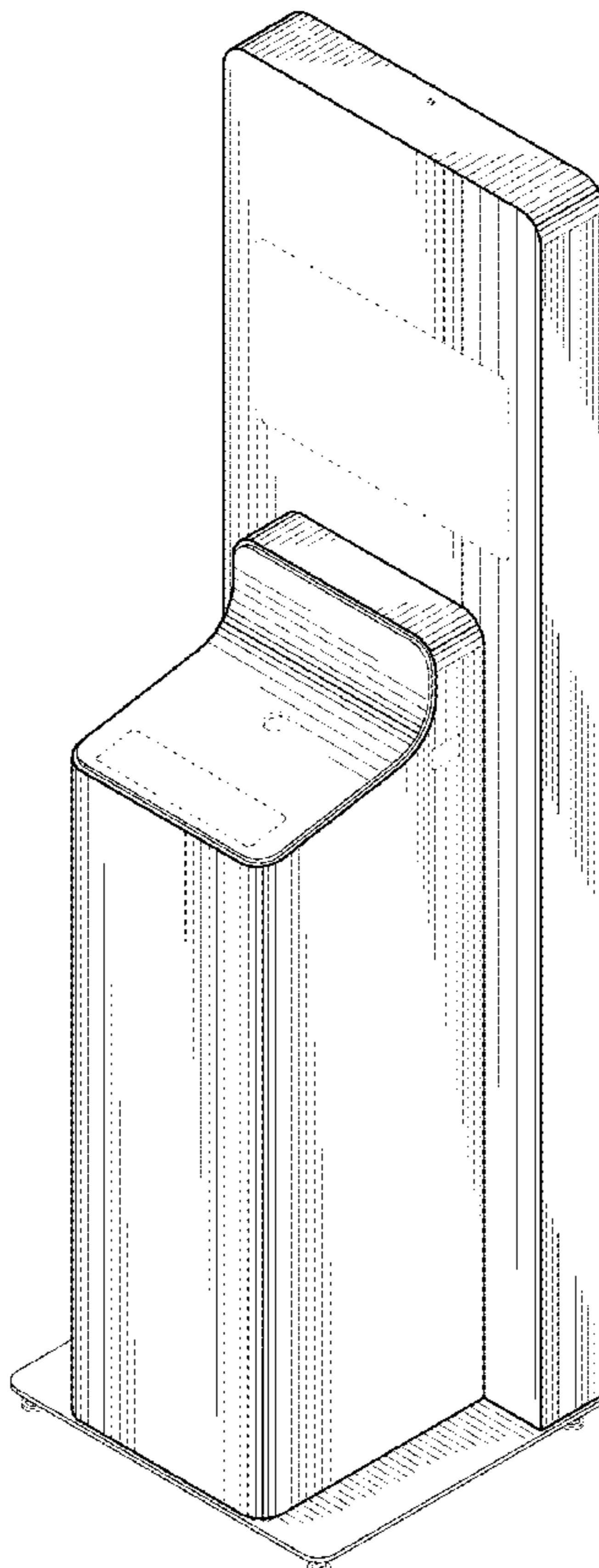
We claim the ornamental design for a retail display fixture, as shown and described.

DESCRIPTION

FIG. 1 is a front perspective view of a retail display fixture;
FIG. 2 is a back perspective view of the retail display fixture;
FIG. 3 is a front elevational view thereof;
FIG. 4 is a back elevational view thereof;
FIG. 5 is a right elevational view thereof;
FIG. 6 is a left elevational view thereof;
FIG. 7 is a top plan view thereof; and,
FIG. 8 is a bottom plan view thereof.

The broken lines shown in the drawings of the retail display fixture are for the purpose of illustrating portions of the article and form no part of the claimed design.

1 Claim, 6 Drawing Sheets



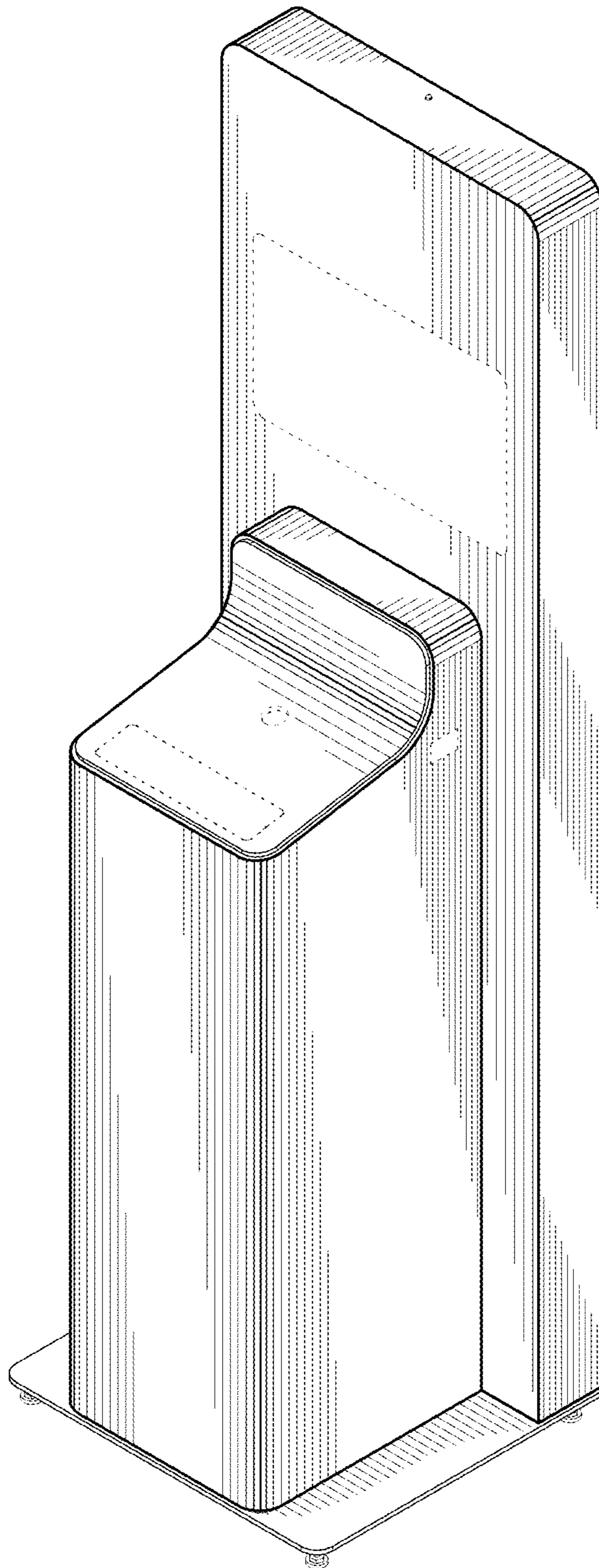


FIG. 1

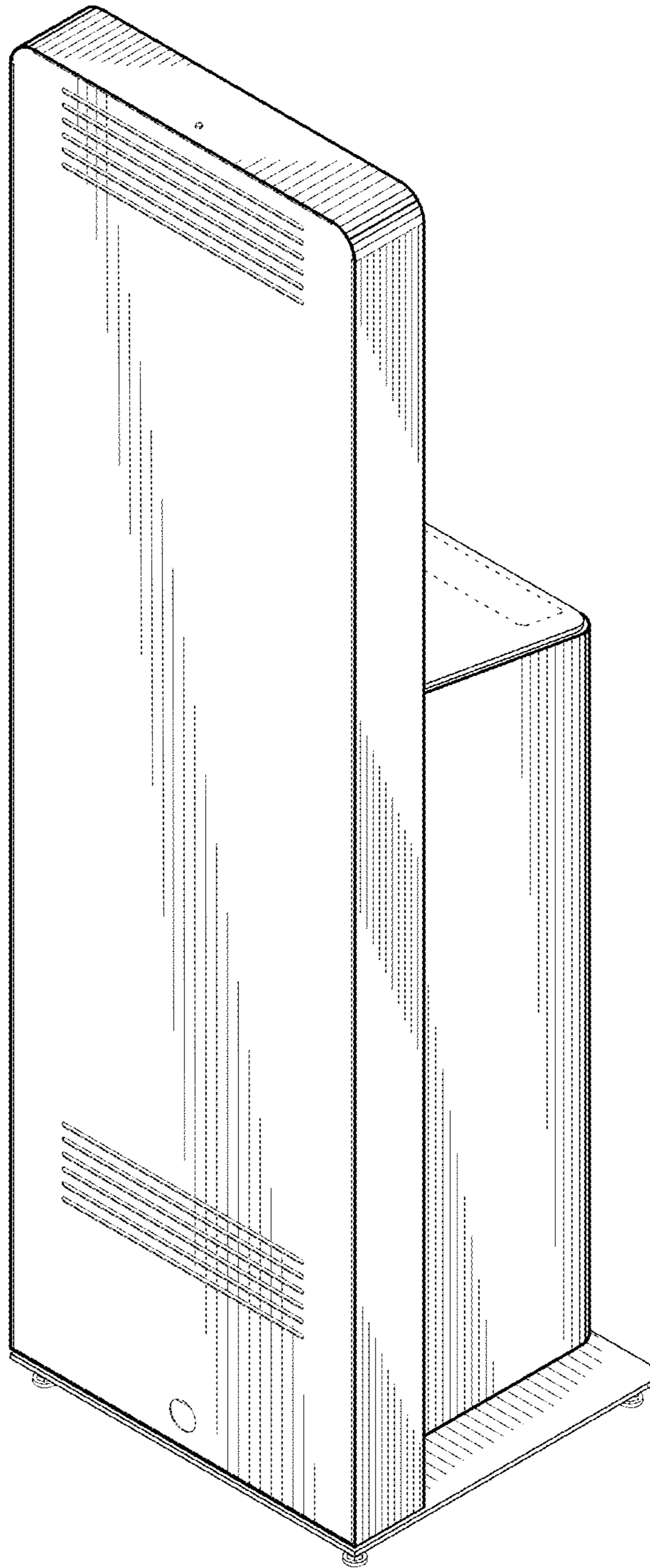


FIG.2

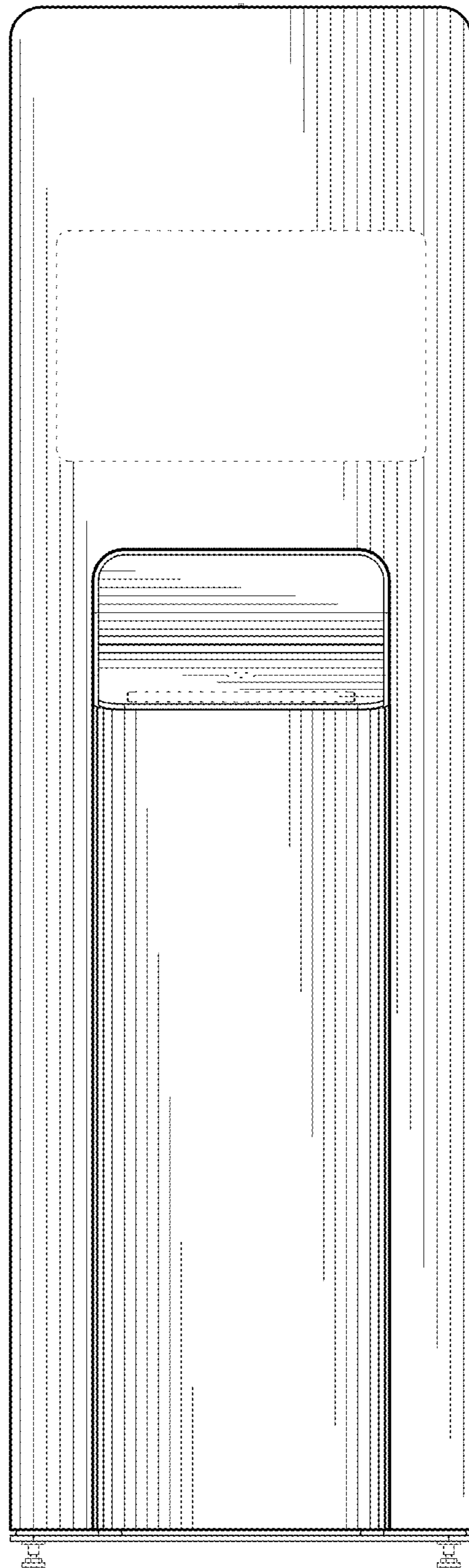


FIG.3

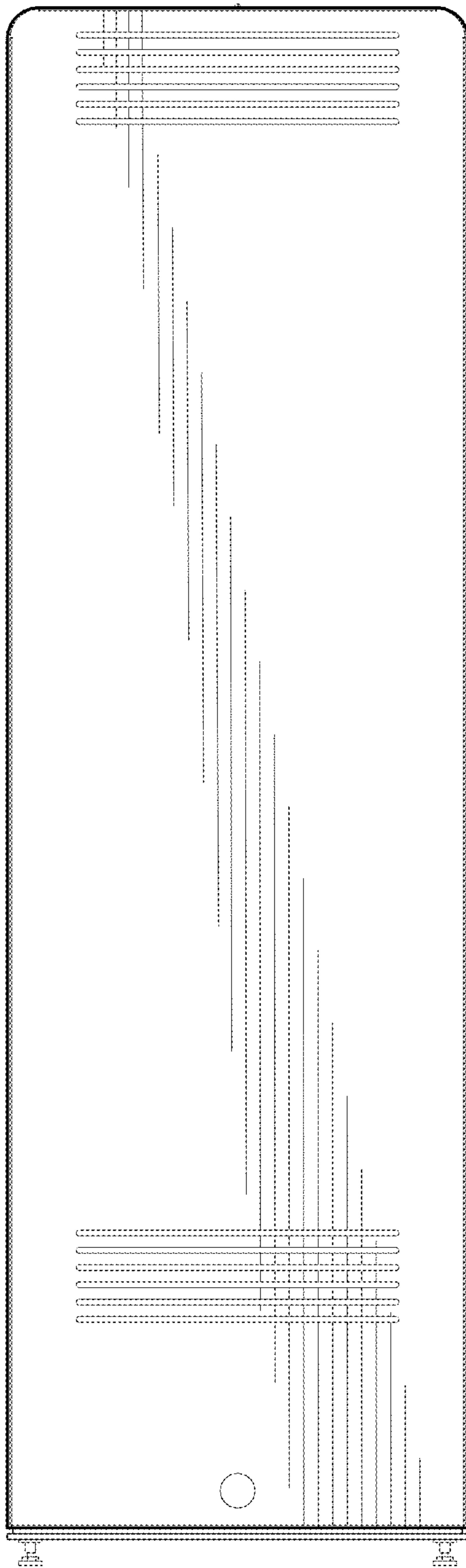


FIG. 4

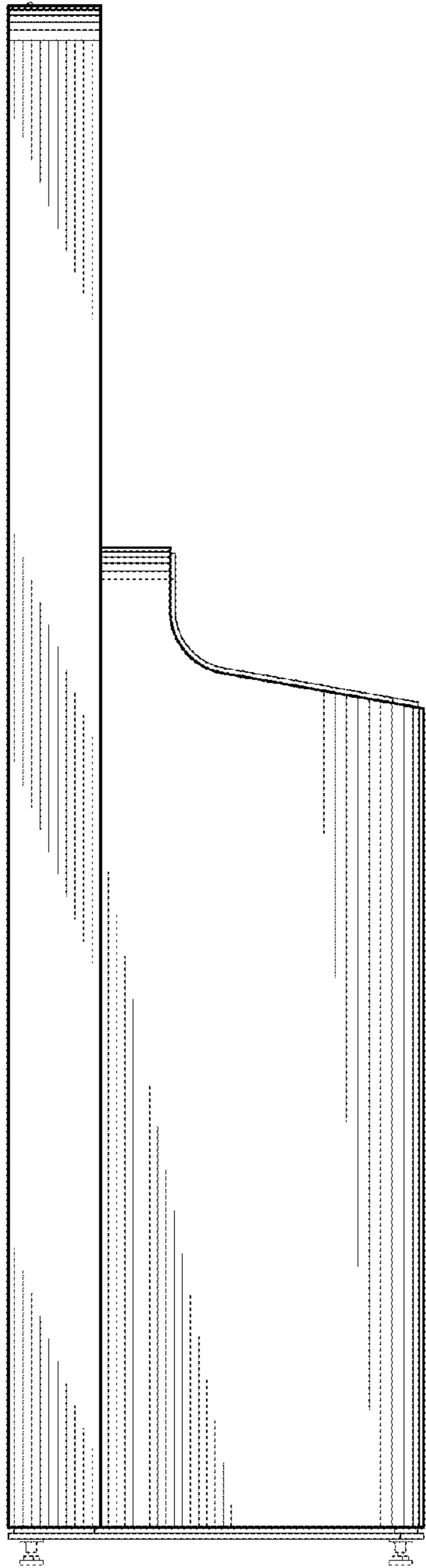


FIG. 5

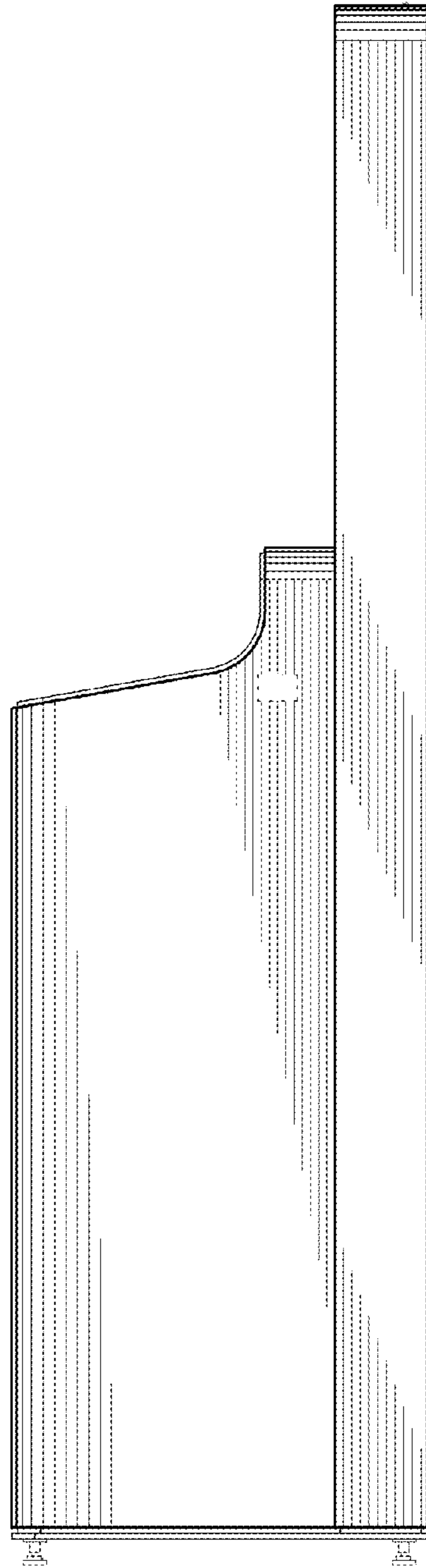


FIG. 6

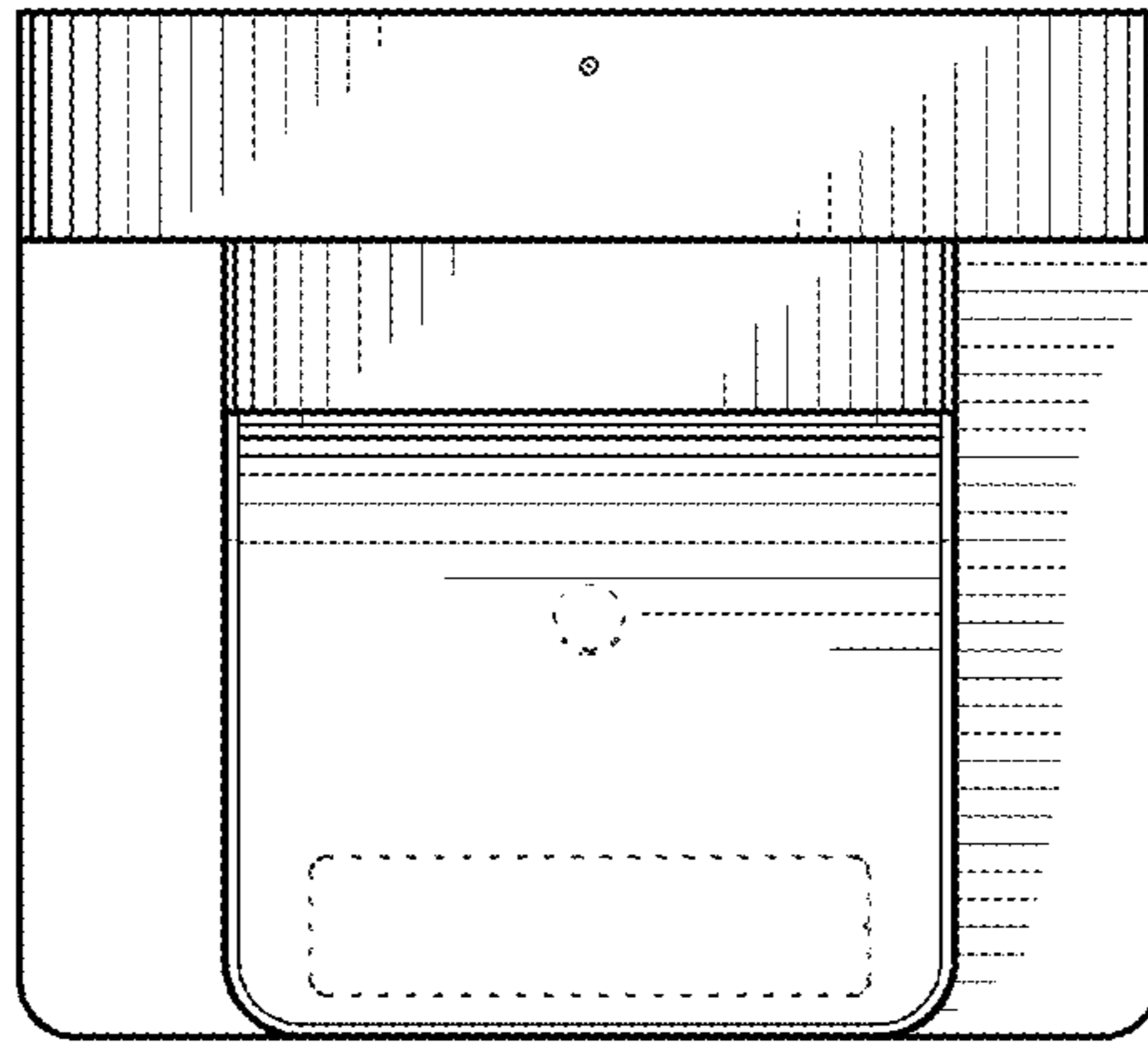


FIG. 7

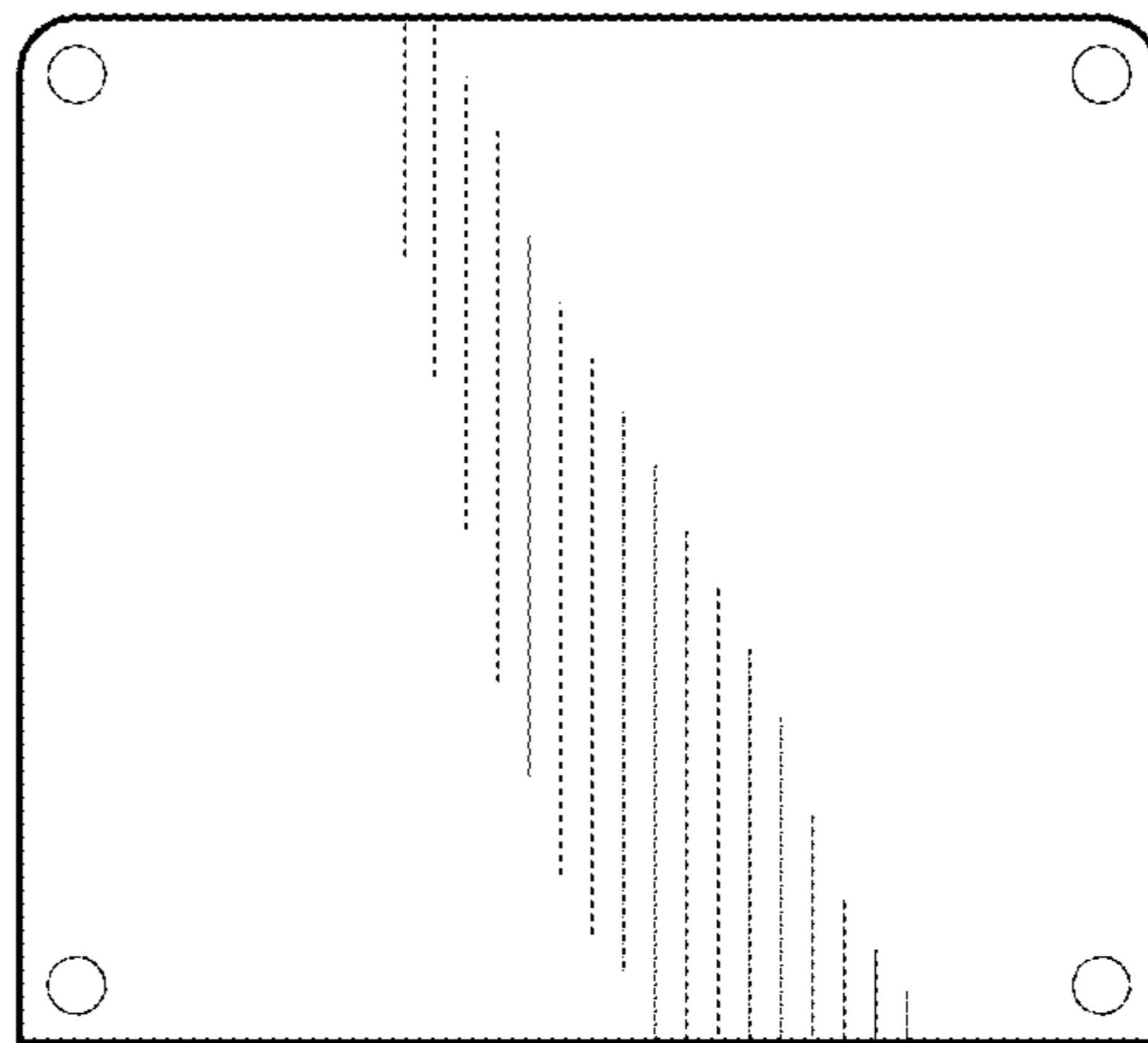


FIG. 8