



US00D683552S

(12) **United States Design Patent**
Wu

(10) **Patent No.:** **US D683,552 S**
(45) **Date of Patent:** **** Jun. 4, 2013**

(54) **CHAIR FRAME**

D609,482 S * 2/2010 Englisch et al. D6/366
D627,983 S * 11/2010 Wakasugi et al. D6/366
D647,717 S * 11/2011 Zund et al. D6/366

(76) Inventor: **Yao-Chuan Wu**, Chiayi Hsien (TW)

* cited by examiner

(**) Term: **14 Years**

Primary Examiner — Mimoso De

(21) Appl. No.: **29/423,801**

(74) *Attorney, Agent, or Firm* — Alan Kamrath; Kamrath IP Lawfirm, P.A.

(22) Filed: **Jun. 5, 2012**

(51) **LOC (9) Cl.** **06-01**

(57) **CLAIM**

(52) **U.S. Cl.**

The ornamental design for a chair frame, as shown and described.

USPC **D6/366**

(58) **Field of Classification Search**

DESCRIPTION

USPC D6/334–336, 364, 365, 366, 367,
D6/374, 379, 380, 498, 500–502; 297/393,
297/396, 284.4, 411.28, 452.13, 452.18,
297/452.21, 452.29, 452.3, 452.56, 452.64
See application file for complete search history.

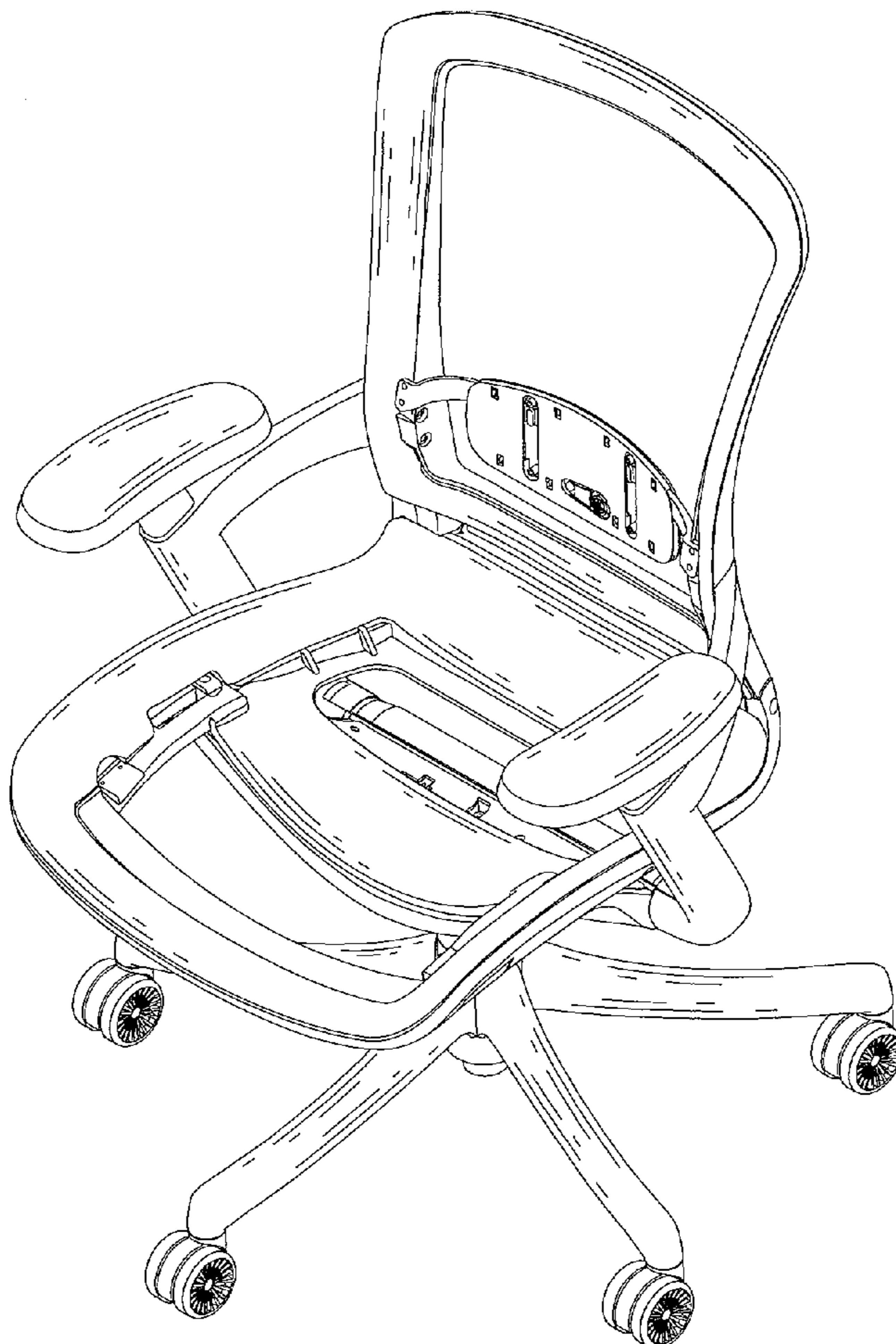
FIG. 1 is a perspective view of a chair frame showing my design;
FIG. 2 is a front elevational view thereof;
FIG. 3 is a rear elevational view thereof;
FIG. 4 is a left side elevational view thereof;
FIG. 5 is a right side elevational view thereof;
FIG. 6 is a top plan view thereof;
FIG. 7 is a bottom plan view thereof; and,
FIG. 8 is a perspective view from the rear bottom side thereof.

(56) **References Cited**

U.S. PATENT DOCUMENTS

D442,791 S * 5/2001 Simons et al. D6/366
D445,580 S * 7/2001 Pennington et al. D6/366
D495,155 S * 8/2004 Baldanzi et al. D6/366
6,910,741 B2 * 6/2005 Footitt 297/452.29

1 Claim, 8 Drawing Sheets



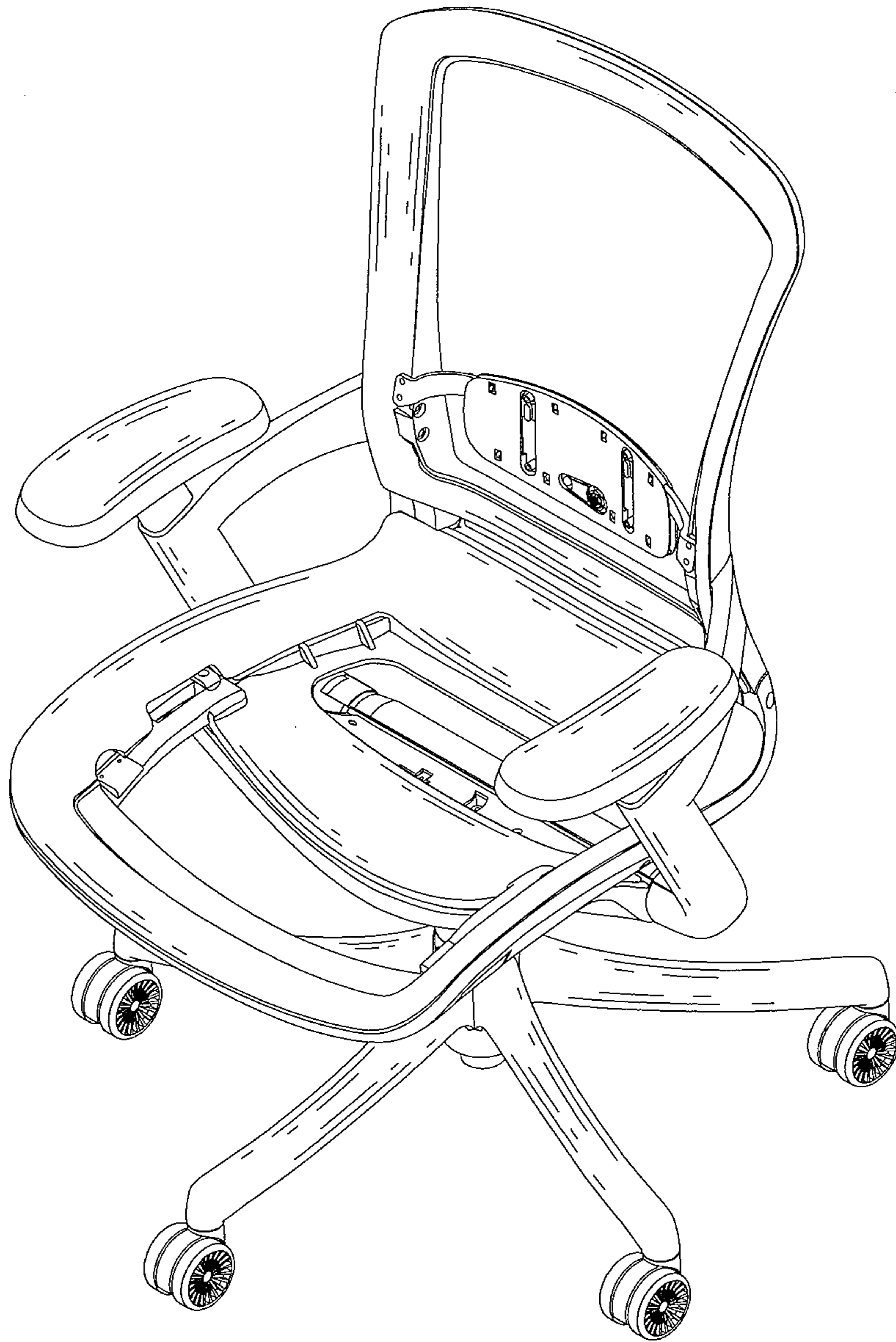


FIG. 1

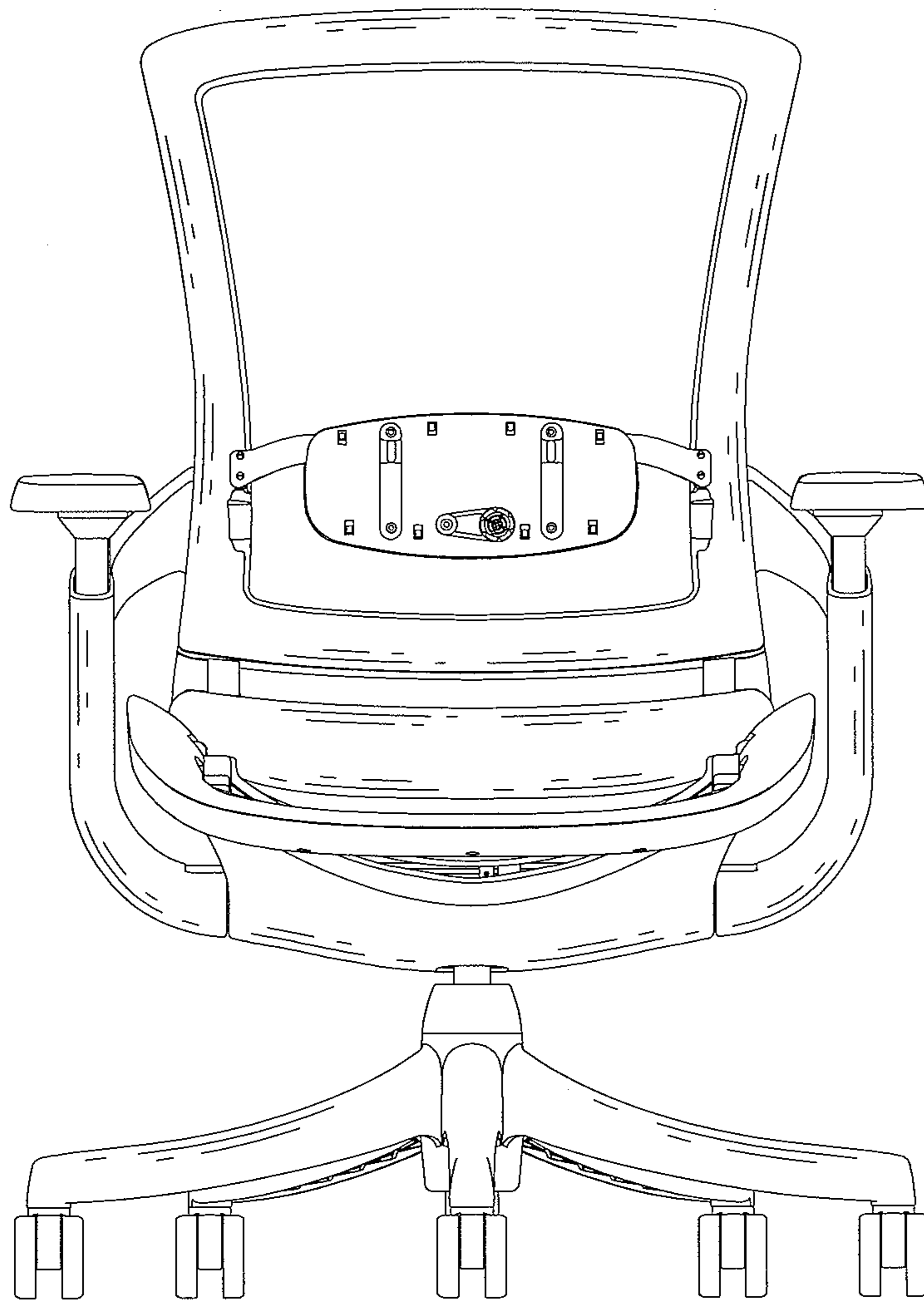


FIG. 2

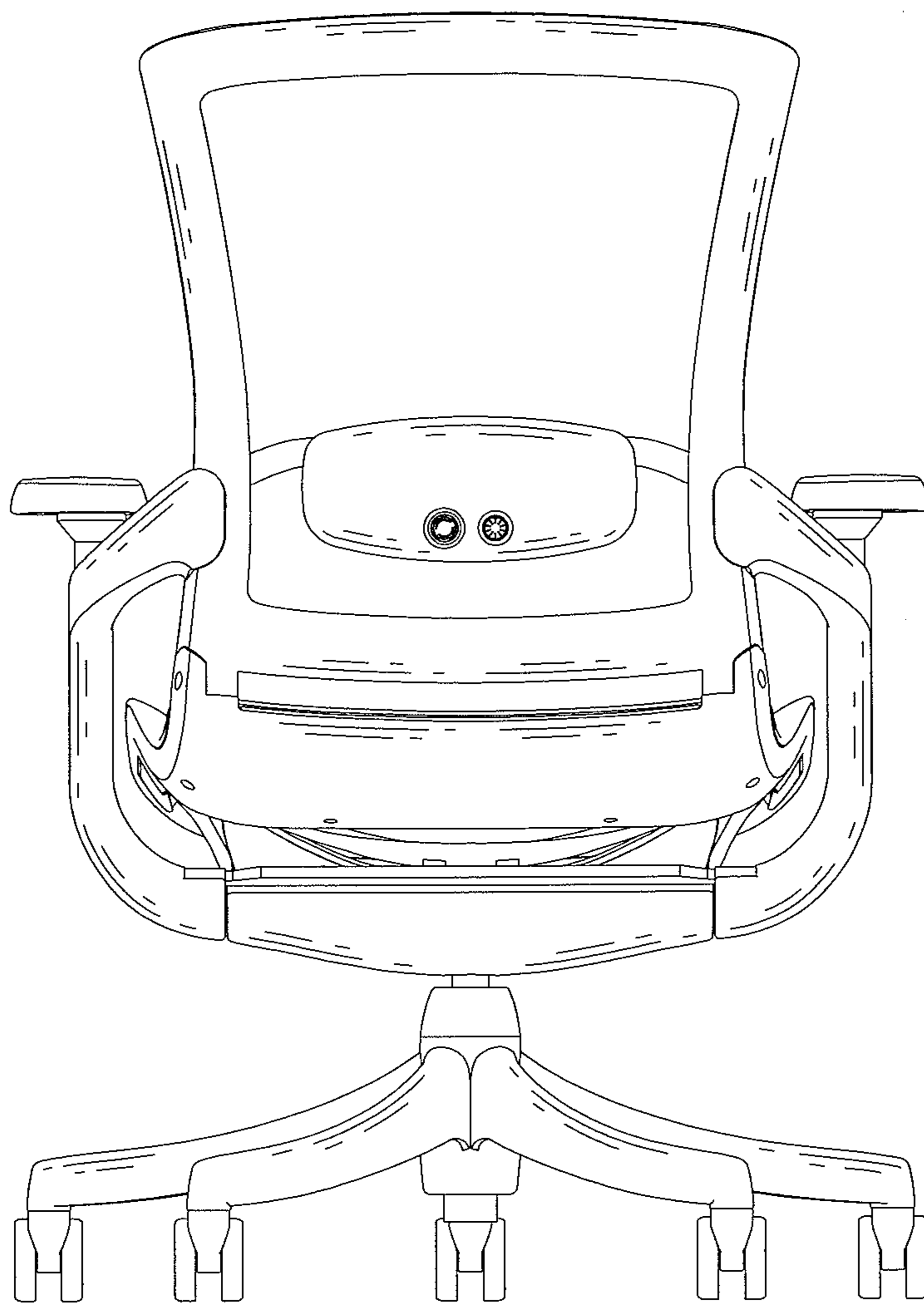


FIG. 3

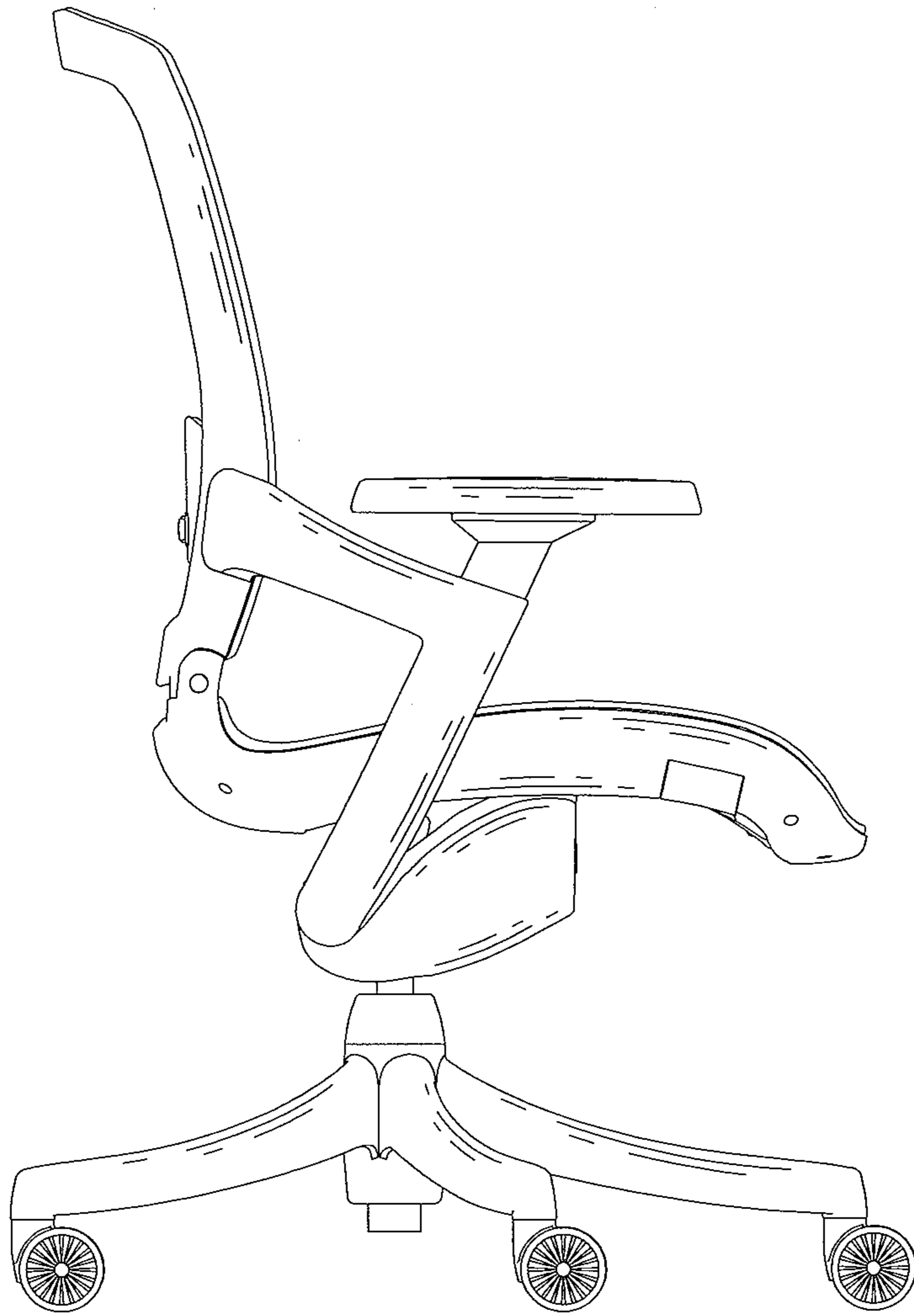


FIG. 4

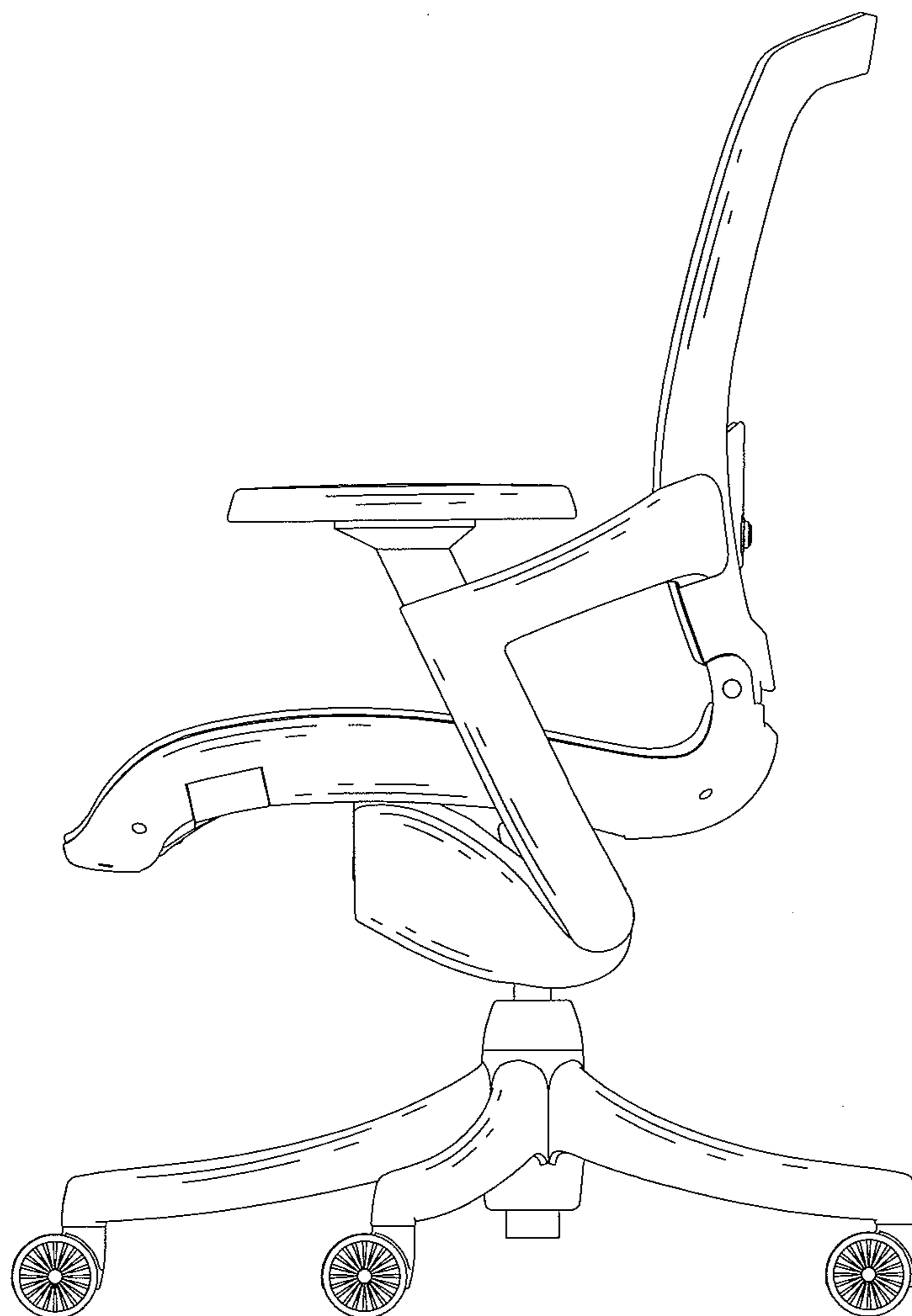


FIG. 5

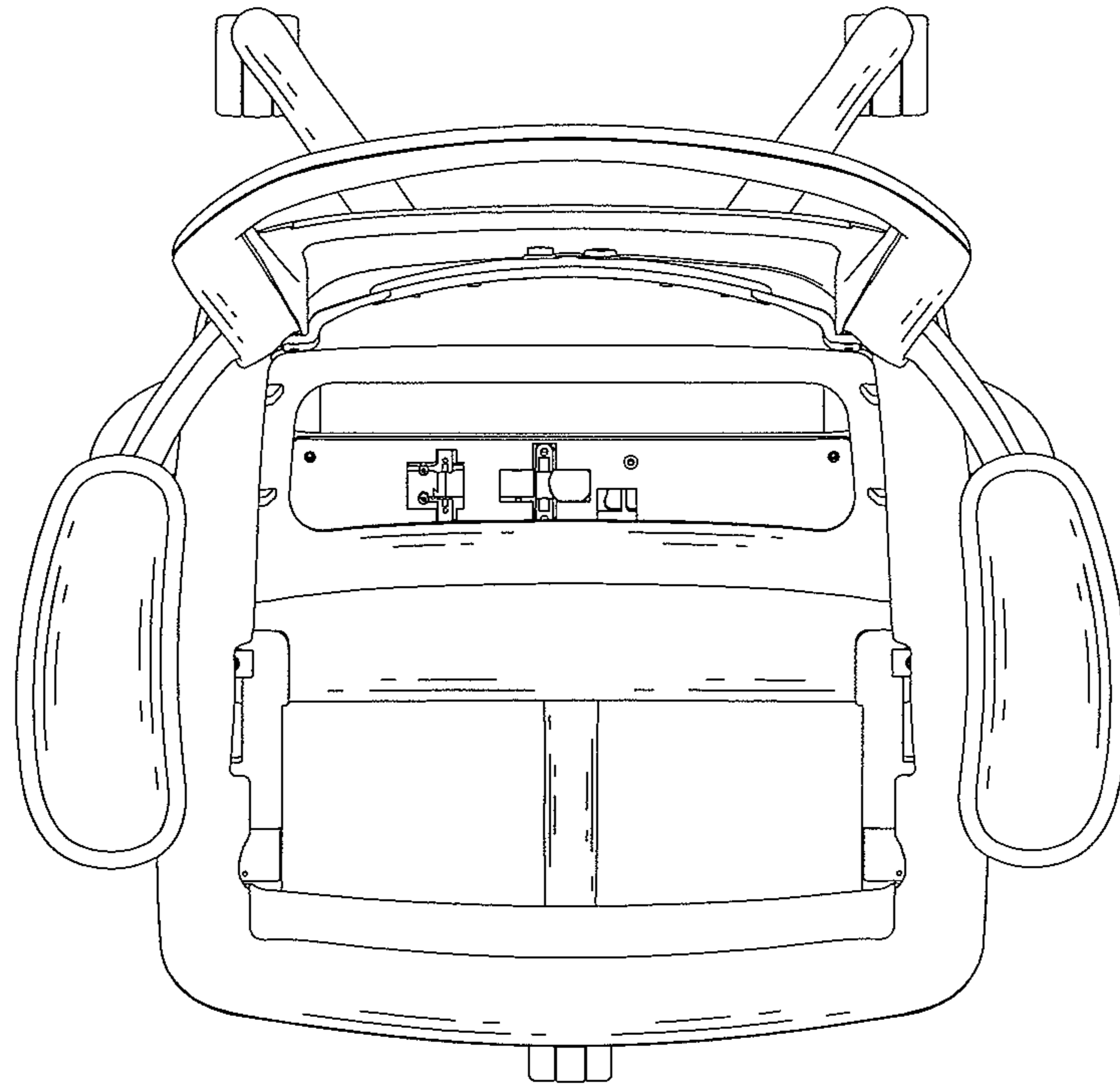


FIG. 6

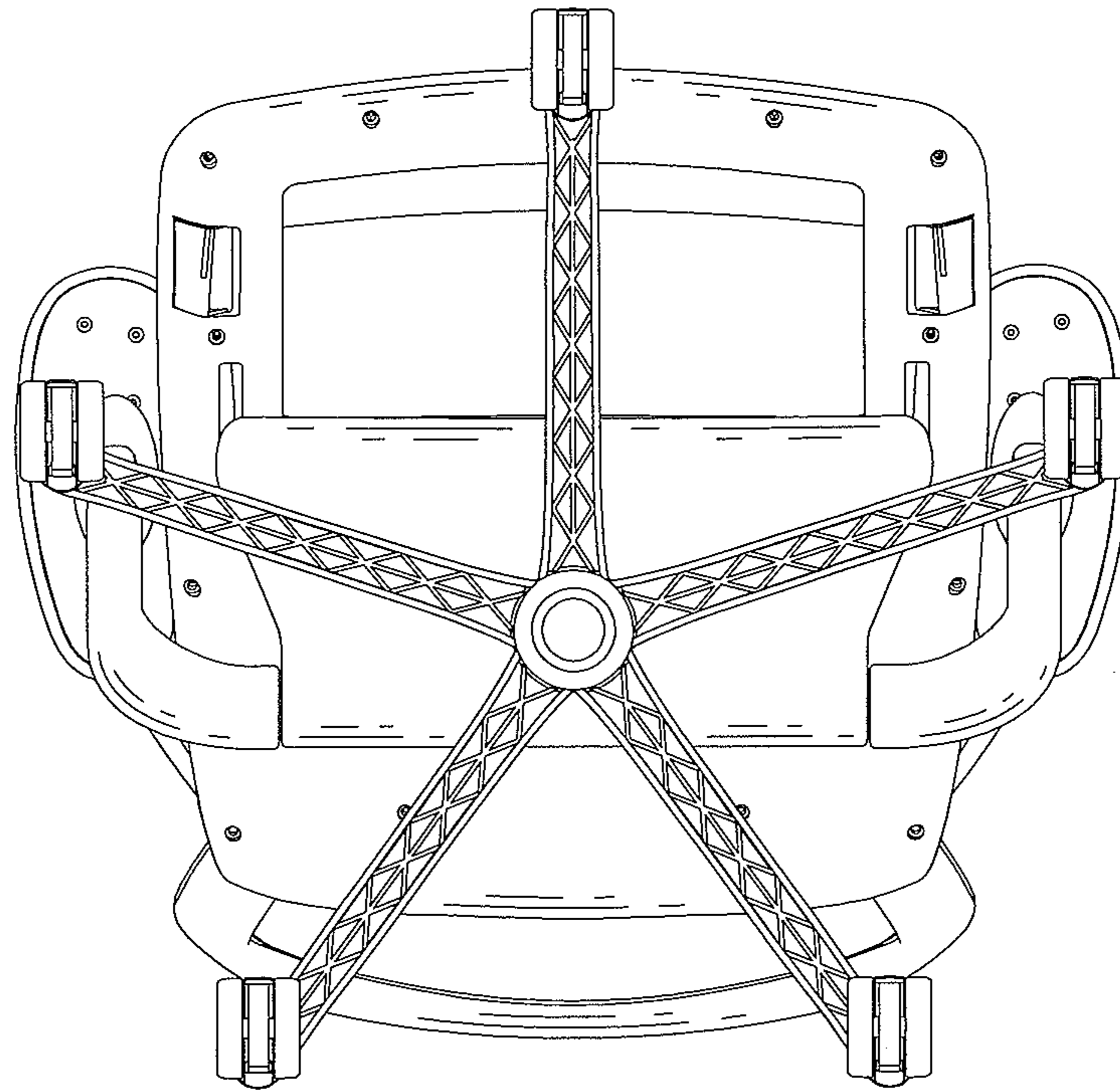


FIG. 7

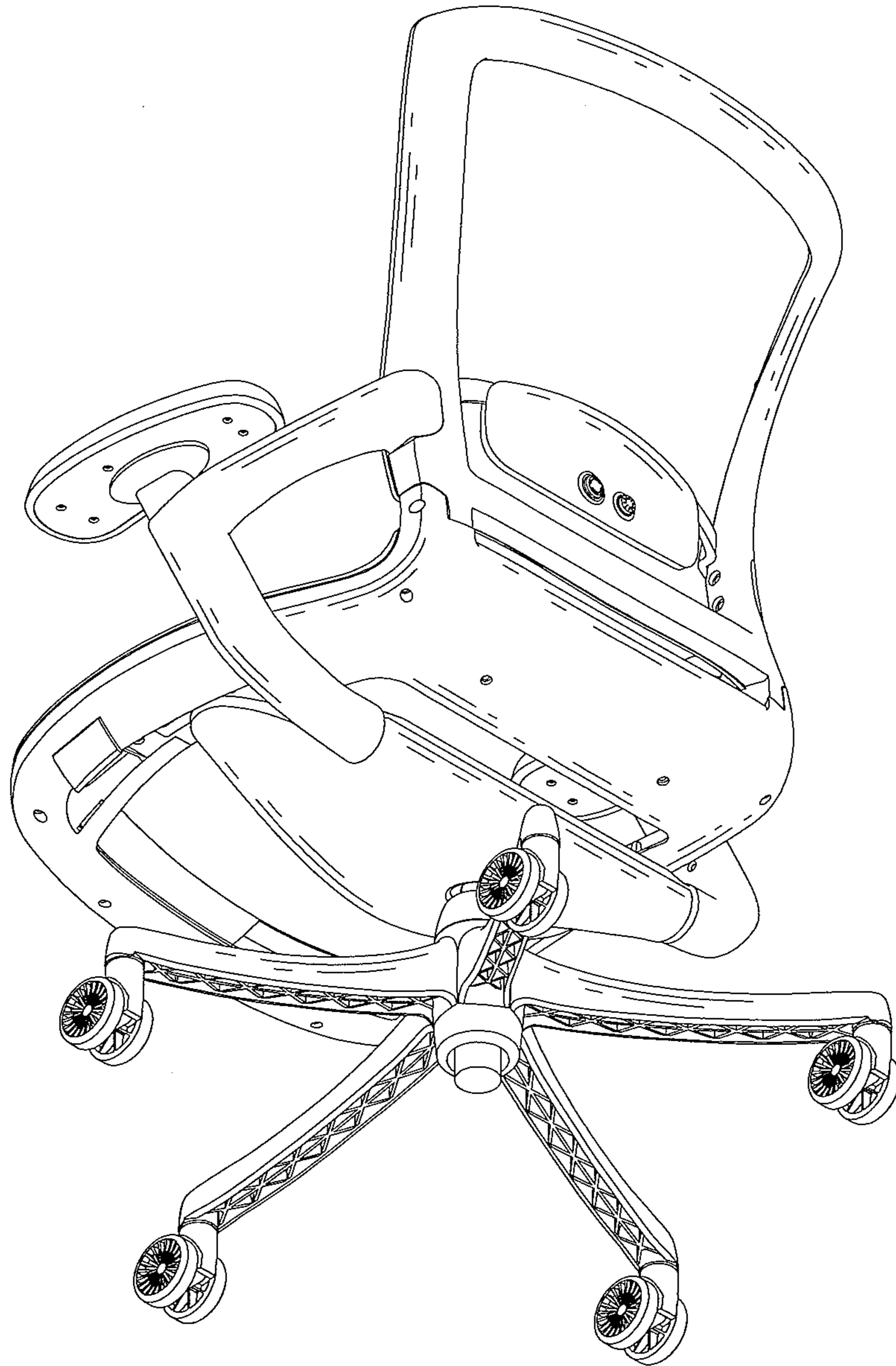


FIG. 8