



US00D683543S

(12) **United States Design Patent**
Yang

(10) **Patent No.:** **US D683,543 S**
(45) **Date of Patent:** **** Jun. 4, 2013**

(54) **LED-LIGHTED LUGGAGE**

(76) Inventor: **Roger Yang**, Newport Coast, CA (US)

(**) Term: **14 Years**

(21) Appl. No.: **29/398,017**

(22) Filed: **Jul. 25, 2011**

(51) **LOC (9) Cl.** **03-01**

(52) **U.S. Cl.**
USPC **D3/318**

(58) **Field of Classification Search**
USPC D3/318, 274; D26/3, 43, 34, 51,
D26/58; 362/136-137, 570, 565, 551
See application file for complete search history.

(56) **References Cited**

U.S. PATENT DOCUMENTS

D128,658 S *	8/1941	Aber	D3/275
D314,083 S *	1/1991	Hankinson	D3/274
D347,729 S *	6/1994	Bible, Jr.	D3/274
D428,254 S *	7/2000	Alexander-Katz	D3/274
D481,869 S *	11/2003	Chan	D3/274

D505,011 S *	5/2005	Einav	D3/274
D583,152 S *	12/2008	Keeney	D3/301
D605,787 S *	12/2009	Barton et al.	D26/3

* cited by examiner

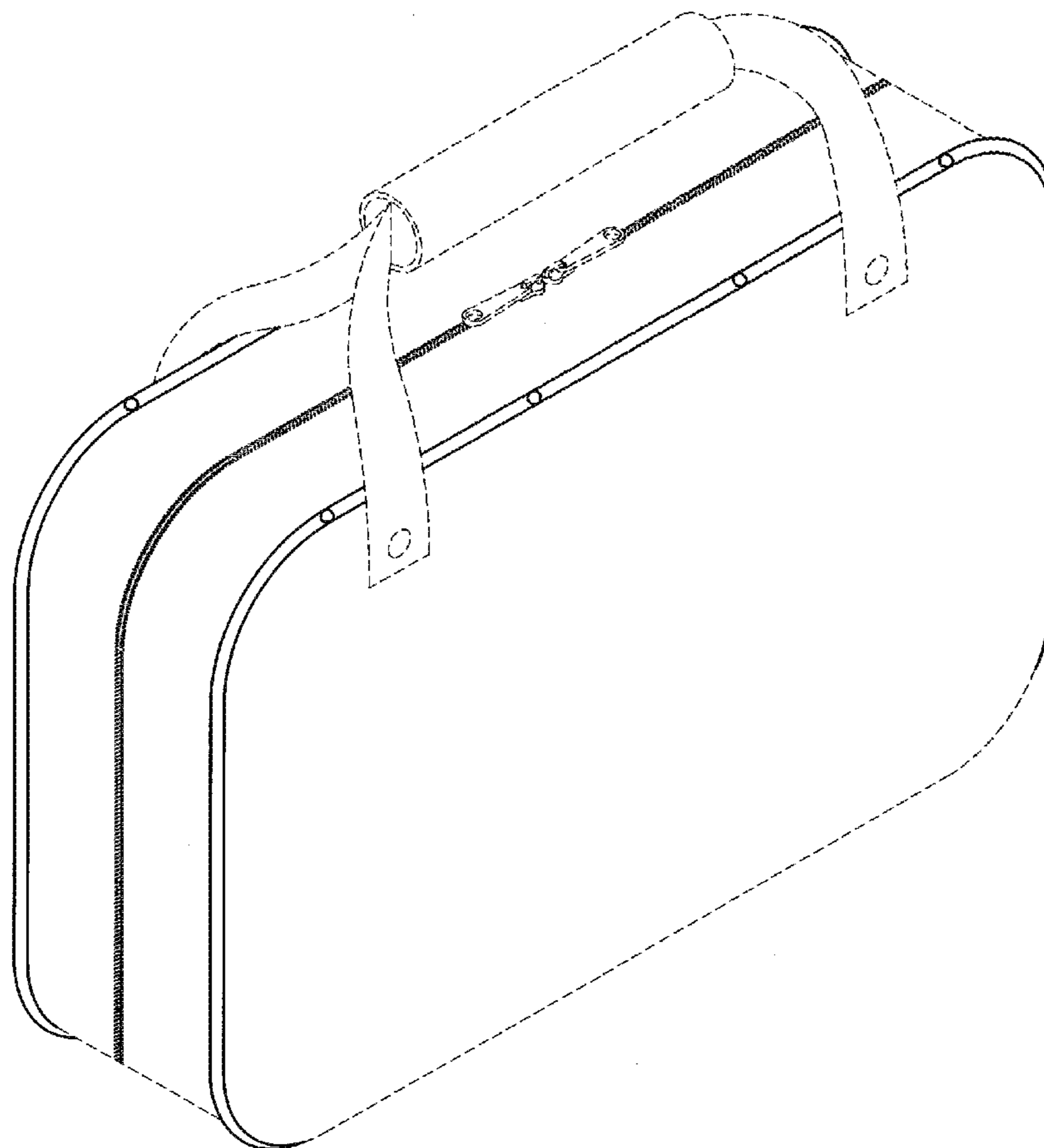
Primary Examiner — Holly Baynham
(74) *Attorney, Agent, or Firm* — Novak Druce Connolly
Bove + Quigg LLP

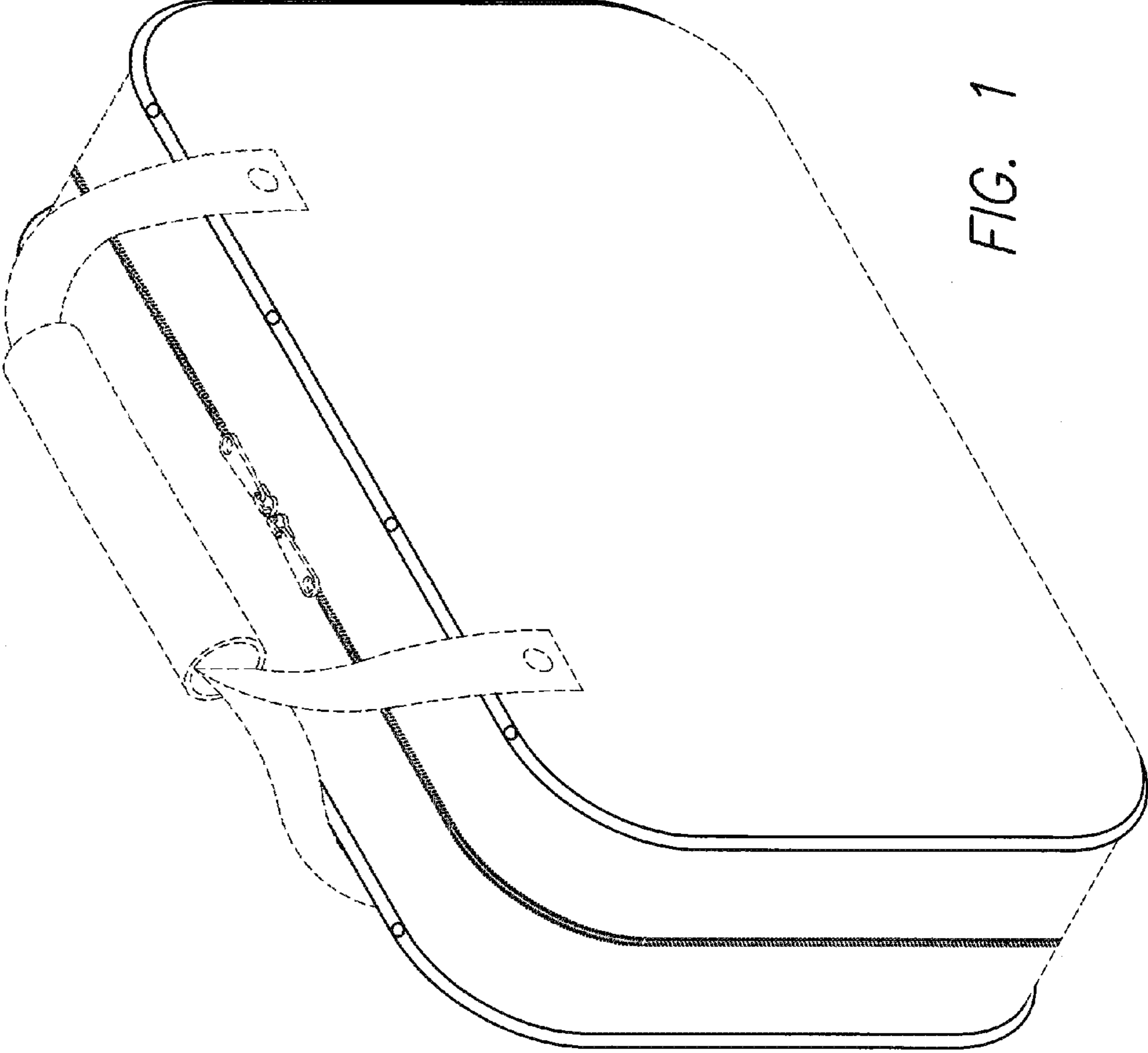
(57) **CLAIM**
The ornamental design for LED-lighted luggage, as shown
and described.

DESCRIPTION

FIG. 1 is a perspective view of the LED-lighted luggage;
FIG. 2 is a front view of the LED-lighted luggage shown in
FIG. 1, with the rear side being identical;
FIG. 3 a side view of the LED-lighted luggage shown in FIG.
1, with the opposite side being identical; and,
FIG. 4 is a top view of the LED-lighted luggage shown in FIG.
1.
The broken lines showing portions of luggage are for the
purposes of illustrating environment and form no part of the
claimed design.

1 Claim, 4 Drawing Sheets





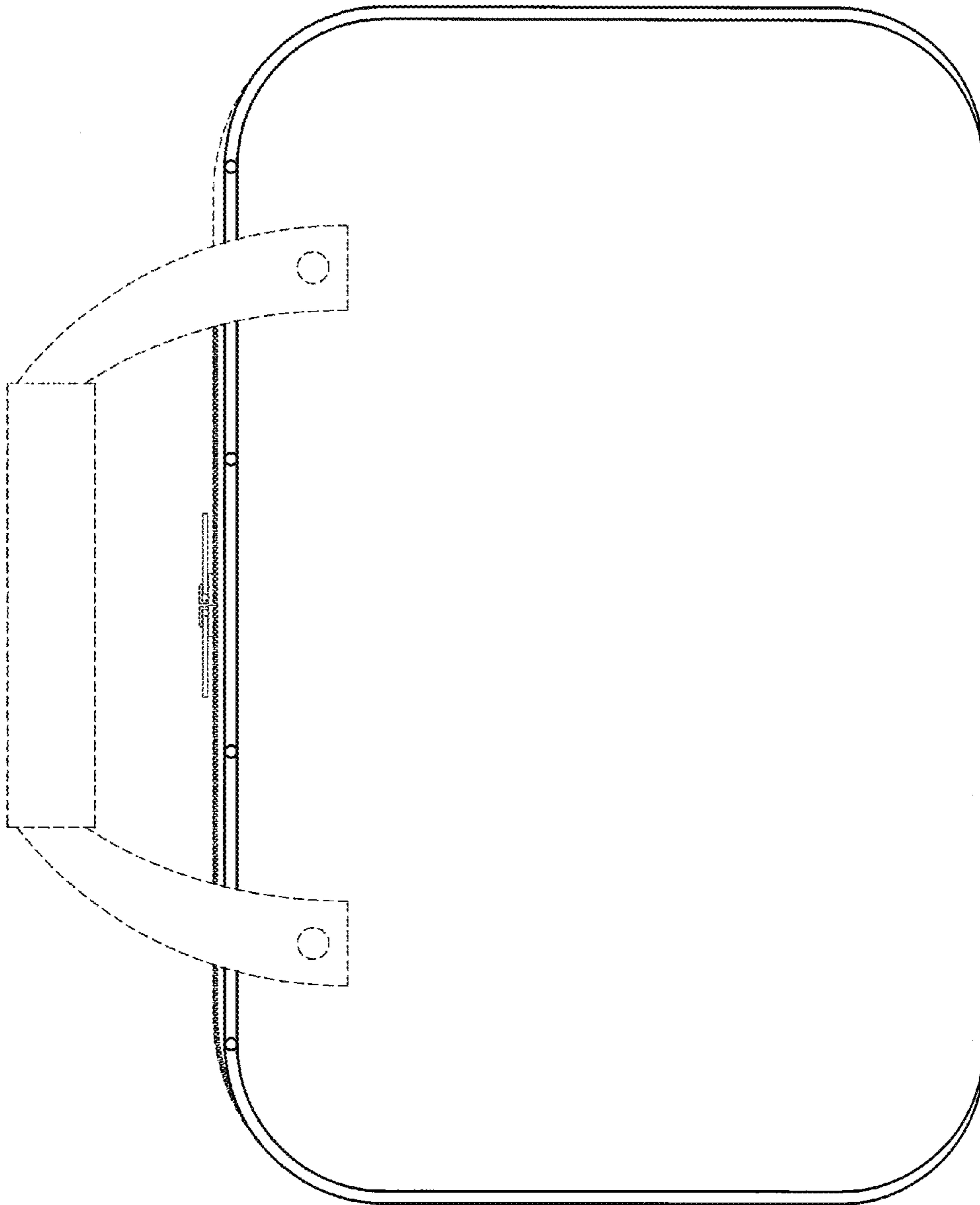


FIG. 2

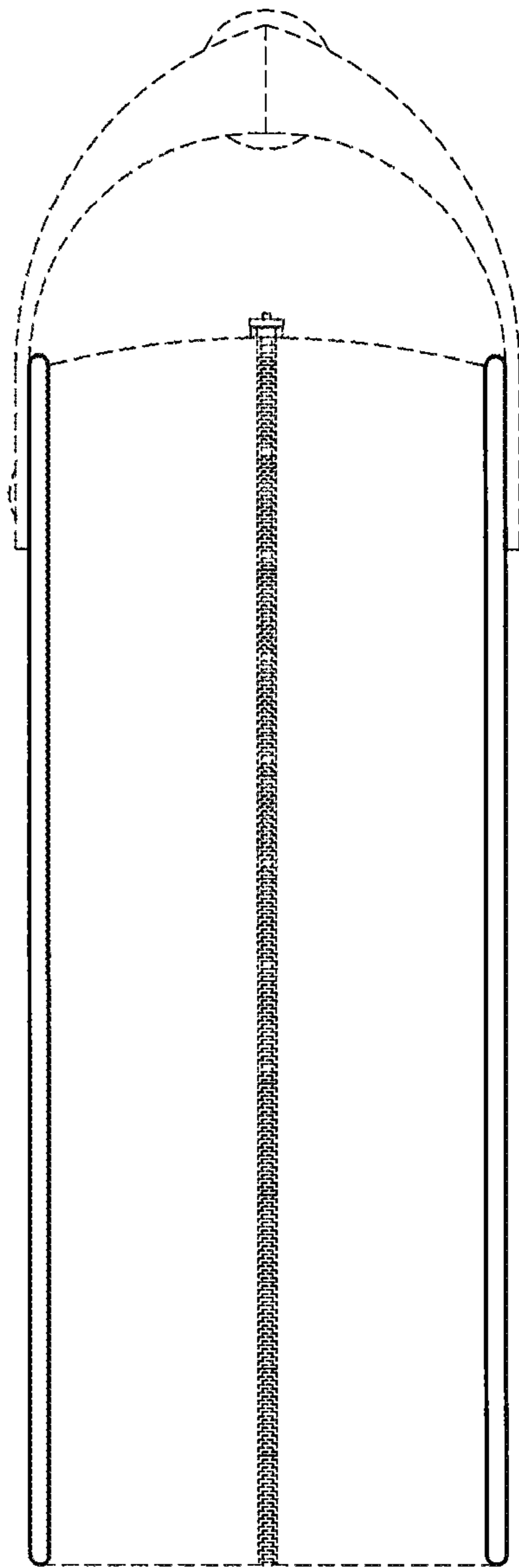


FIG. 3

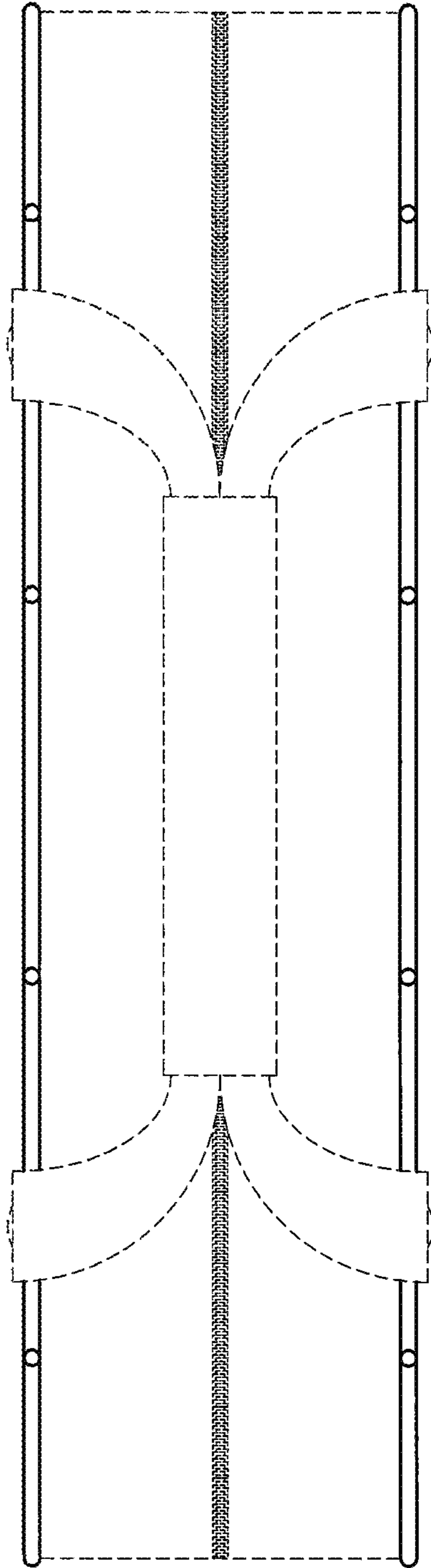


FIG. 4