



US00D683542S

(12) **United States Design Patent**
Blakeman

(10) **Patent No.:** **US D683,542 S**
(45) **Date of Patent:** **** Jun. 4, 2013**

(54) **STORAGE UNIT FOR STORING
COMBUSTION ENGINE PARTS DURING
ENGINE DISASSEMBLY**

D537,630 S * 3/2007 Gibson D3/272
7,731,026 B2 * 6/2010 Harrison 206/349
7,766,161 B2 * 8/2010 Good 206/349

* cited by examiner

(76) Inventor: **Eric Blakeman**, Dundee (GB)

Primary Examiner — Ian Simmons

(**) Term: **14 Years**

Assistant Examiner — Charles Hanson

(21) Appl. No.: **29/363,027**

(74) *Attorney, Agent, or Firm* — William D. Hare; Simana Rao; McNeely, Hare & War LLP

(22) Filed: **Jun. 3, 2010**

(51) **LOC (9) Cl.** **03-02**

(57) **CLAIM**

(52) **U.S. Cl.**

I claim the ornamental design for a storage unit for storing combustion engine parts during engine disassembly, as shown and described in FIGS. 1-7.

USPC **D3/315**

(58) **Field of Classification Search**

DESCRIPTION

USPC D3/204, 218, 226, 230, 232, 243,
D3/245, 246, 247, 249, 272, 273, 275, 276,
D3/283-285, 289, 290, 299, 303, 315, 294-296,
D3/903; 206/6.1, 235, 457, 349, 373; 312/266,
312/271, 269; 190/103, 109, 110; D7/706
See application file for complete search history.

FIG. 1 is a perspective view of a storage unit for storing combustion engine parts during engine disassembly showing our new design.

(56) **References Cited**

U.S. PATENT DOCUMENTS

D242,685 S * 12/1976 Skidell D7/706
D265,941 S * 8/1982 Allison et al. D3/308
D276,861 S * 12/1984 Keddie D6/336
D368,802 S * 4/1996 Gallagher et al. D3/315
D420,509 S * 2/2000 Kennedy D3/260
D510,189 S * 10/2005 Greiner D3/295

FIG. 2 is a left hand view of the storage block of FIG. 1.

FIG. 3 is a front view of the storage block of FIG. 1.

FIG. 4 is a rear view of the storage block of FIG. 1.

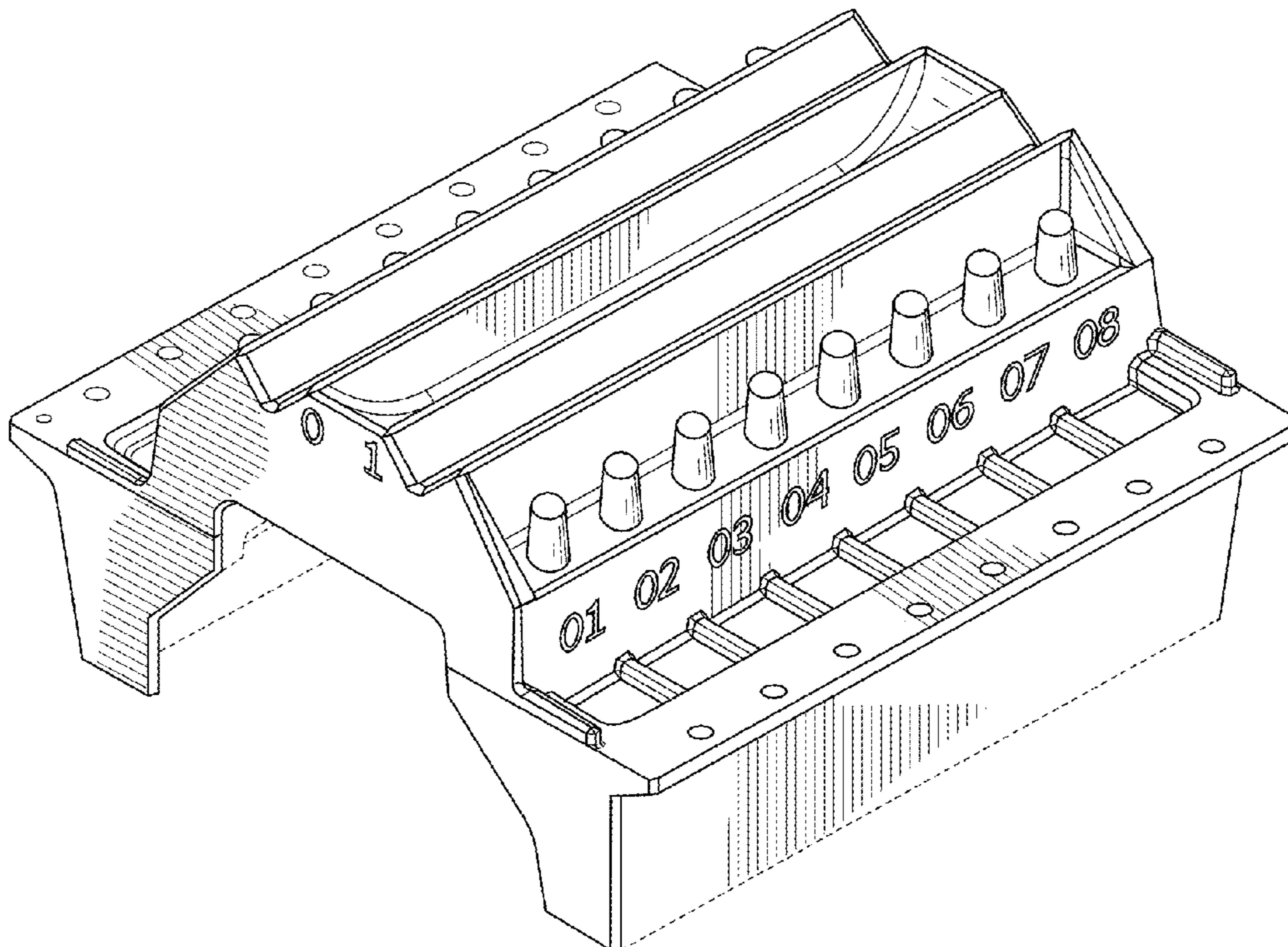
FIG. 5 is a right hand view of the storage block of FIG. 1.

FIG. 6 is a top view of the storage block of FIG. 1; and,

FIG. 7 is a bottom view of the storage block of FIG. 1.

The broken lines in FIGS. 1 and 7 are included for the purpose of illustration only and form no part of the claimed design.

1 Claim, 7 Drawing Sheets



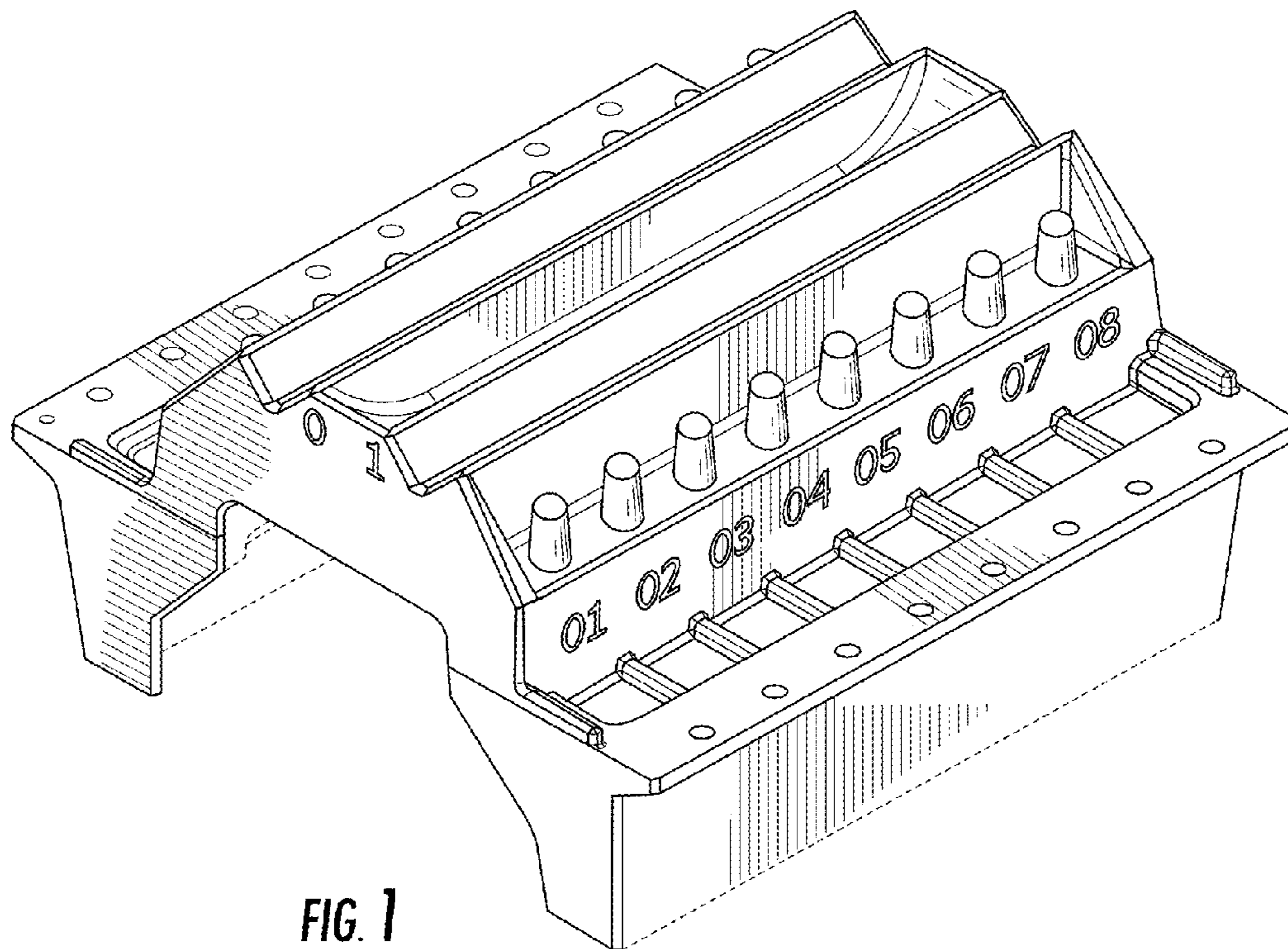
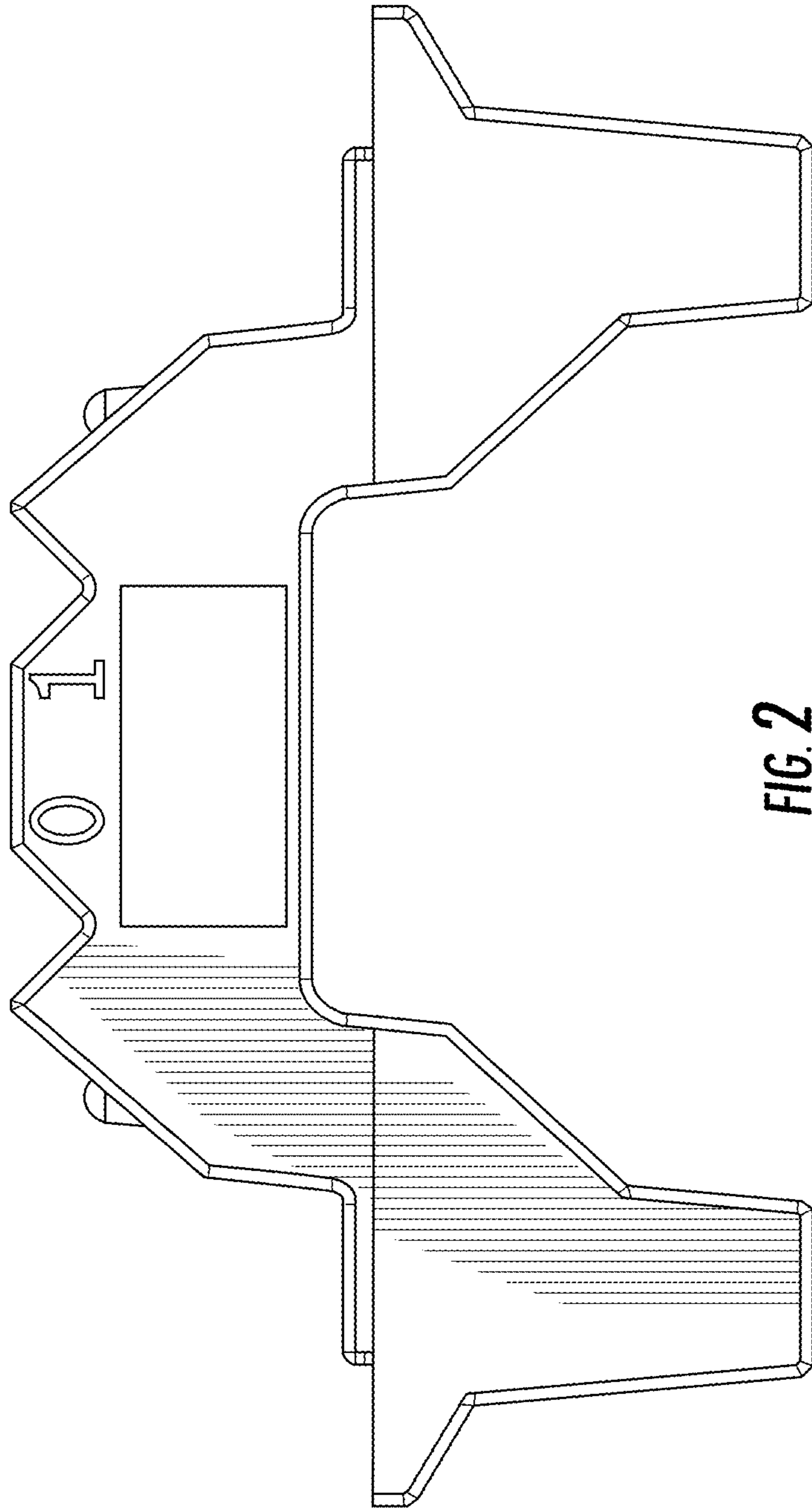


FIG. 1



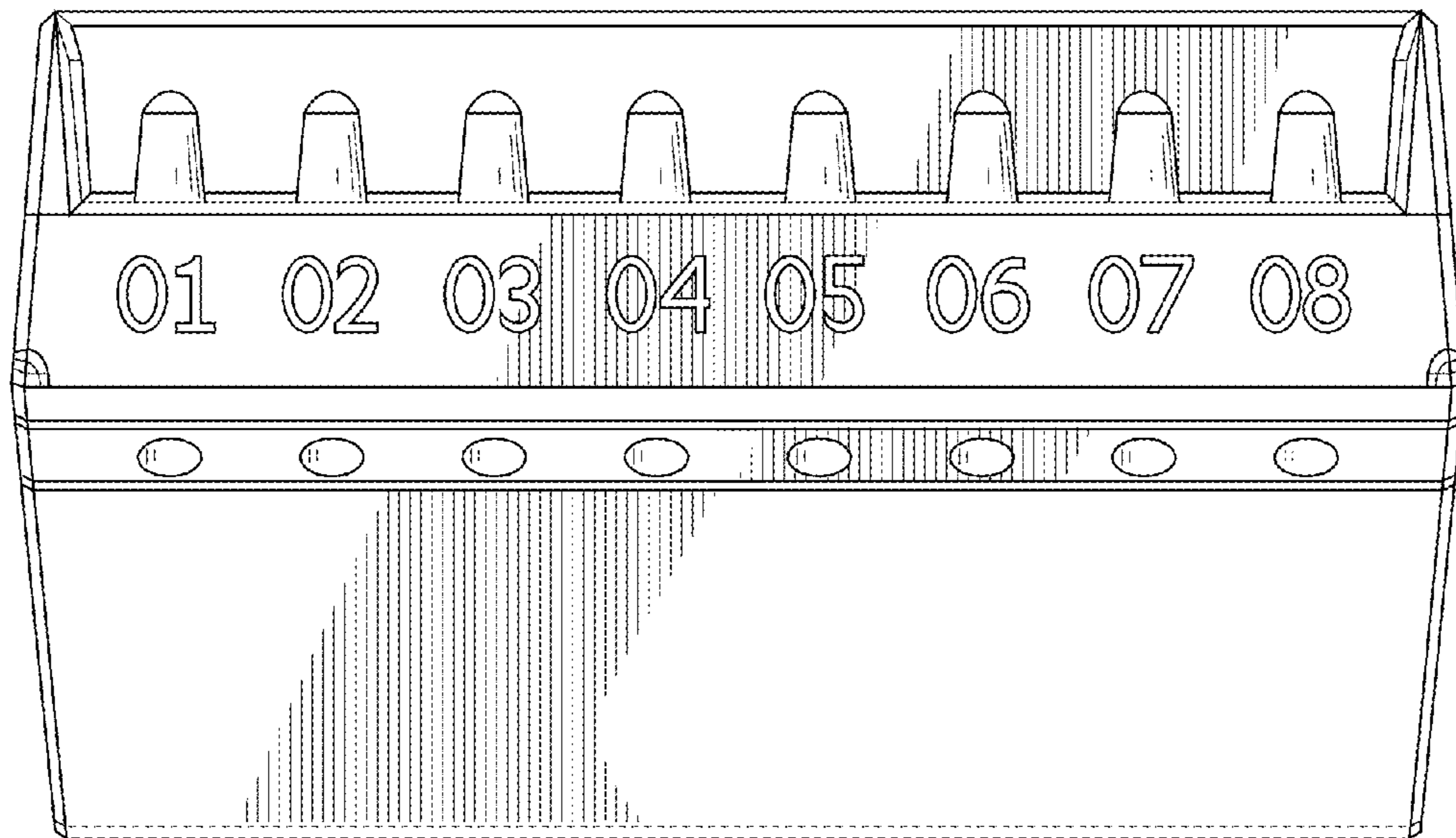


FIG. 3

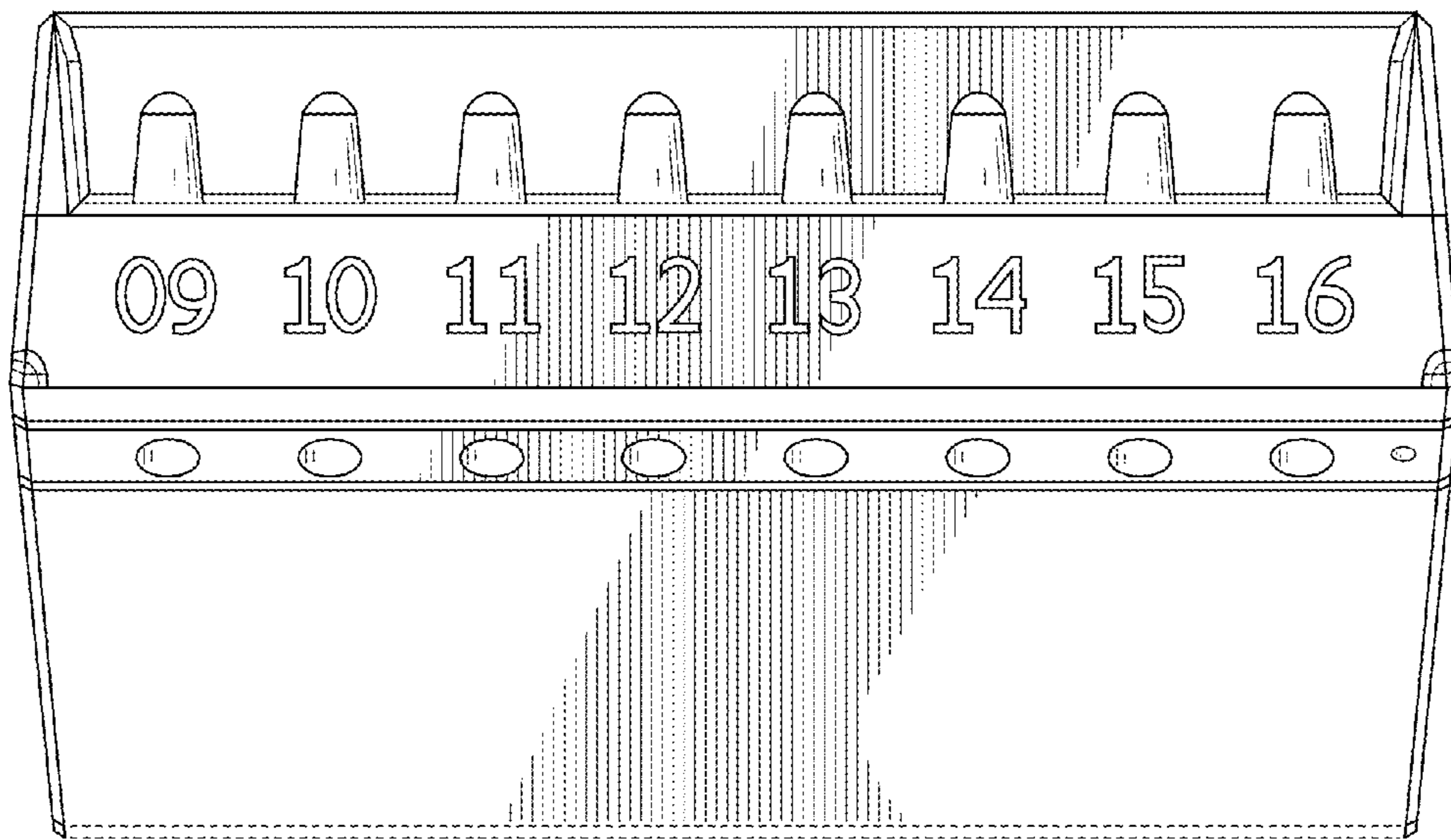


FIG. 4

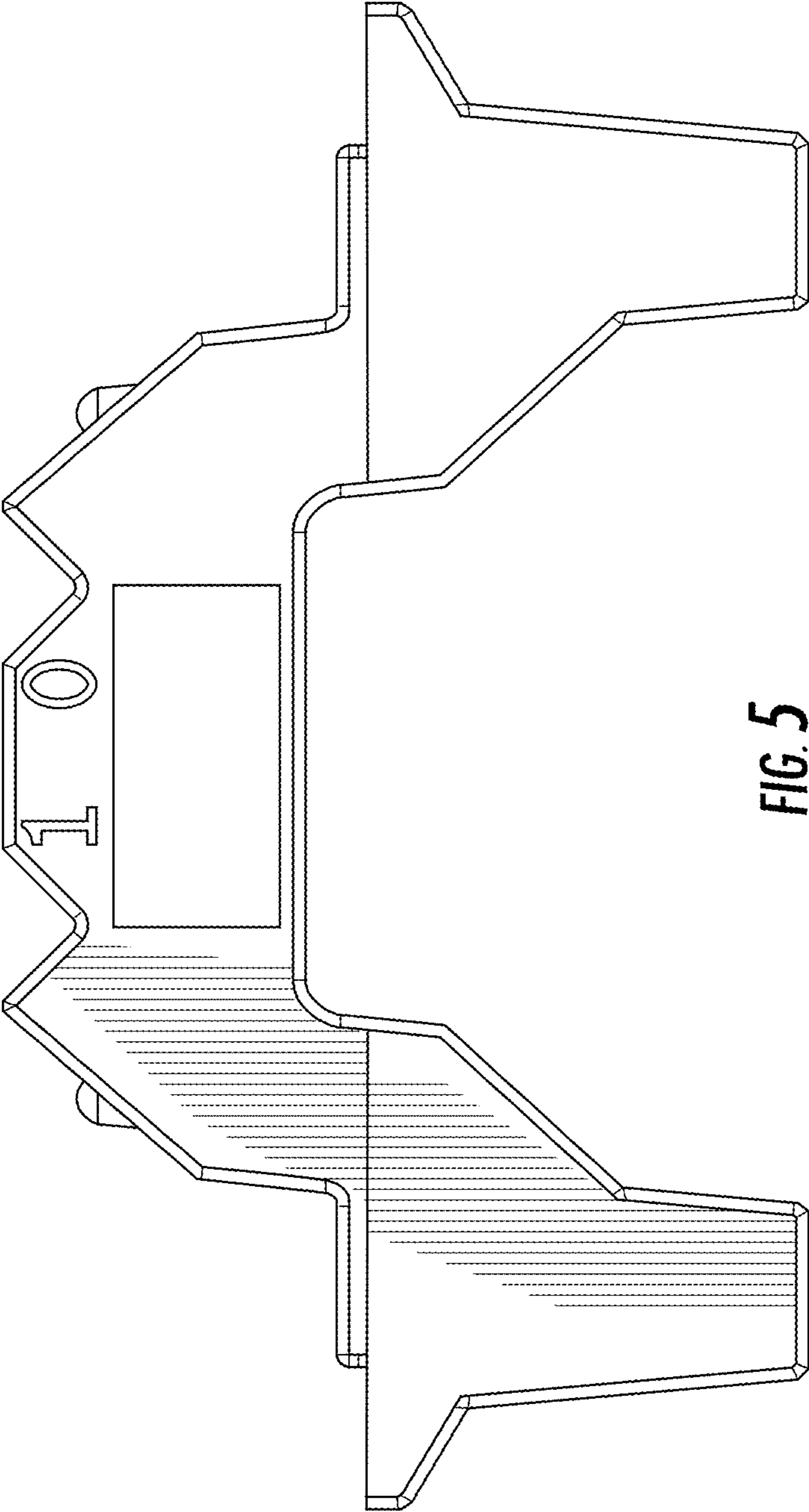


FIG. 5

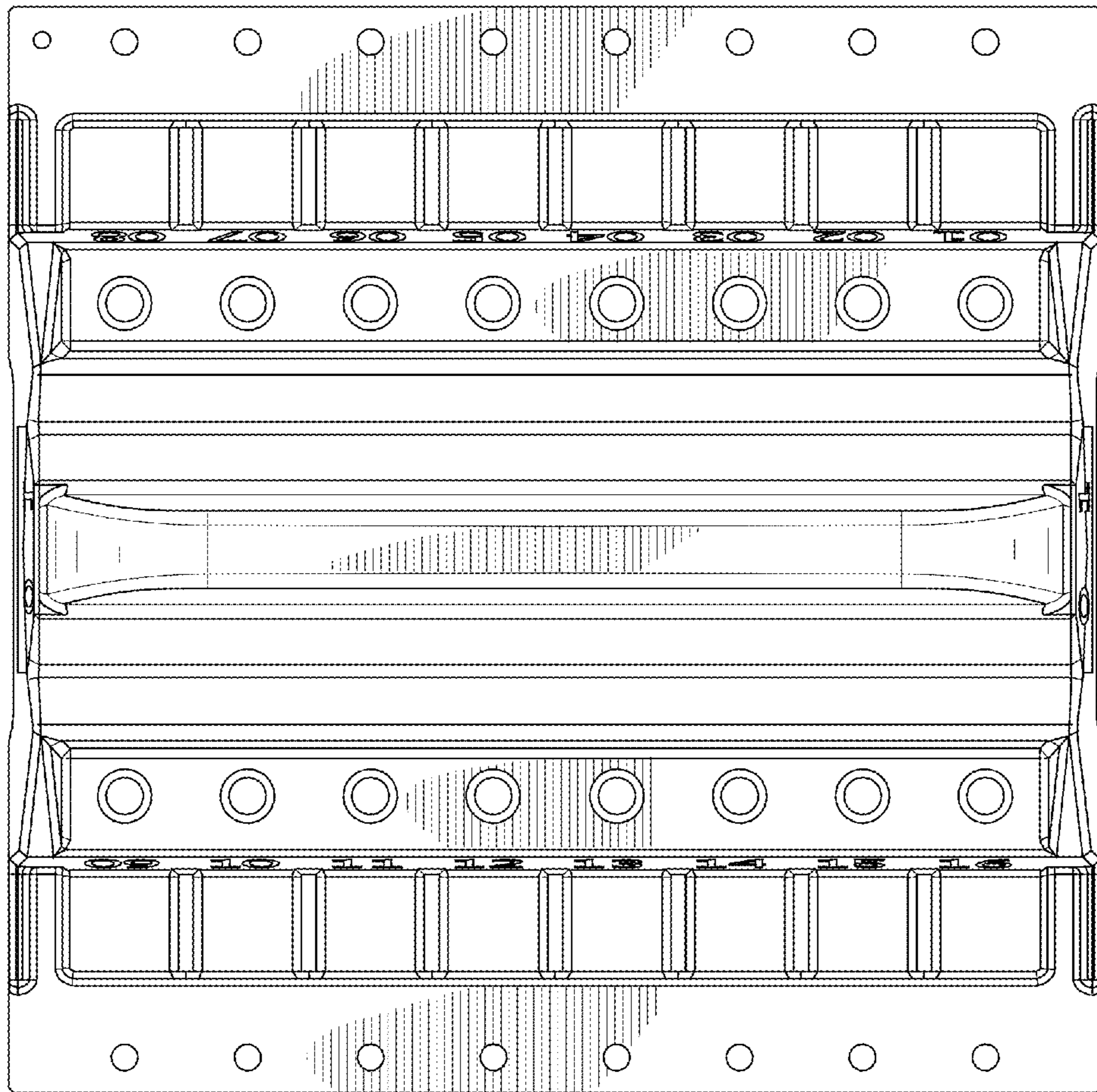


FIG. 6

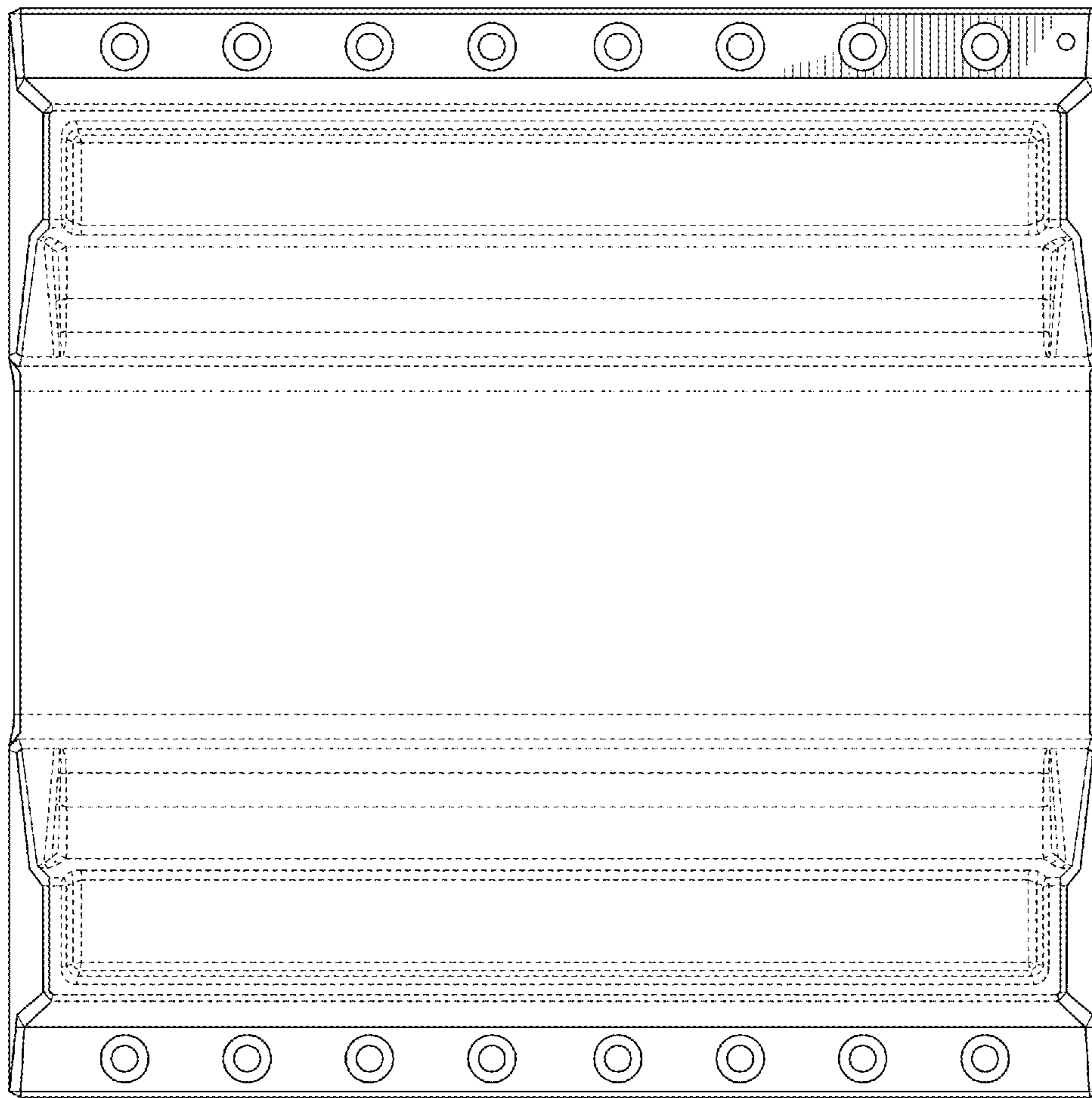


FIG. 7