



US00D683539S

(12) **United States Design Patent**  
**Jobert**

(10) **Patent No.:** **US D683,539 S**

(45) **Date of Patent:** **\*\* Jun. 4, 2013**

(54) **SUITCASE**

(75) **Inventor:** **Couli Jobert, Paris (FR)**

(73) **Assignee:** **Hermes Sellier (Societe Par Actions Simpliffee), Paris (FR)**

(\*\*) **Term:** **14 Years**

(21) **Appl. No.:** **29/412,523**

(22) **Filed:** **Feb. 3, 2012**

(30) **Foreign Application Priority Data**

Aug. 5, 2011 (WO) ..... DM/076548

(51) **LOC (9) Cl.** ..... **03-01**

(52) **U.S. Cl.**  
USPC ..... **D3/279; D3/289**

(58) **Field of Classification Search**  
USPC ..... D3/273, 276, 278–279, 283–285,  
D3/289, 301; 190/18 A, 100–127; 206/278,  
206/286–287.1

See application file for complete search history.

(56) **References Cited**

**U.S. PATENT DOCUMENTS**

5,875,876	A *	3/1999	Wang	.....	190/18 A
6,000,509	A *	12/1999	Chisholm	.....	190/109
D456,993	S *	5/2002	Lin	.....	D3/279
D507,876	S *	8/2005	Fadely	.....	D3/279
7,779,976	B2 *	8/2010	Mangano	.....	190/110
D637,811	S *	5/2011	Hong	.....	D3/279
D639,555	S *	6/2011	Moon	.....	D3/279
D640,868	S *	7/2011	Jongchul	.....	D3/279
D643,624	S *	8/2011	Hong	.....	D3/279

2007/0295570	A1 *	12/2007	Campbell et al.	.....	190/15 R
2010/0101908	A1 *	4/2010	Chun	.....	190/18 A
2012/0181129	A1 *	7/2012	Lai	.....	190/111

\* cited by examiner

*Primary Examiner* — Jennifer Rivard

(74) *Attorney, Agent, or Firm* — Foley & Lardner LLP

(57) **CLAIM**

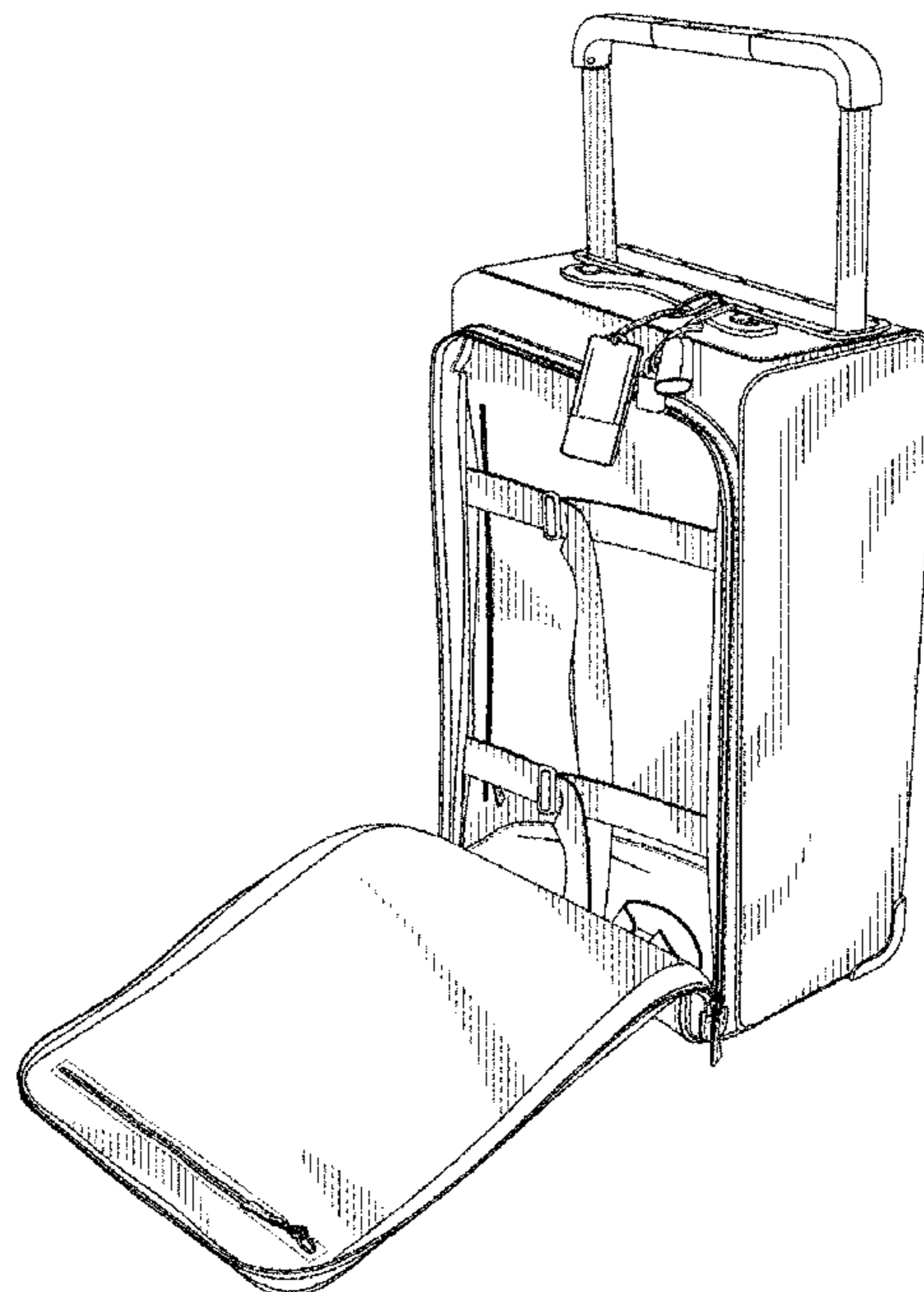
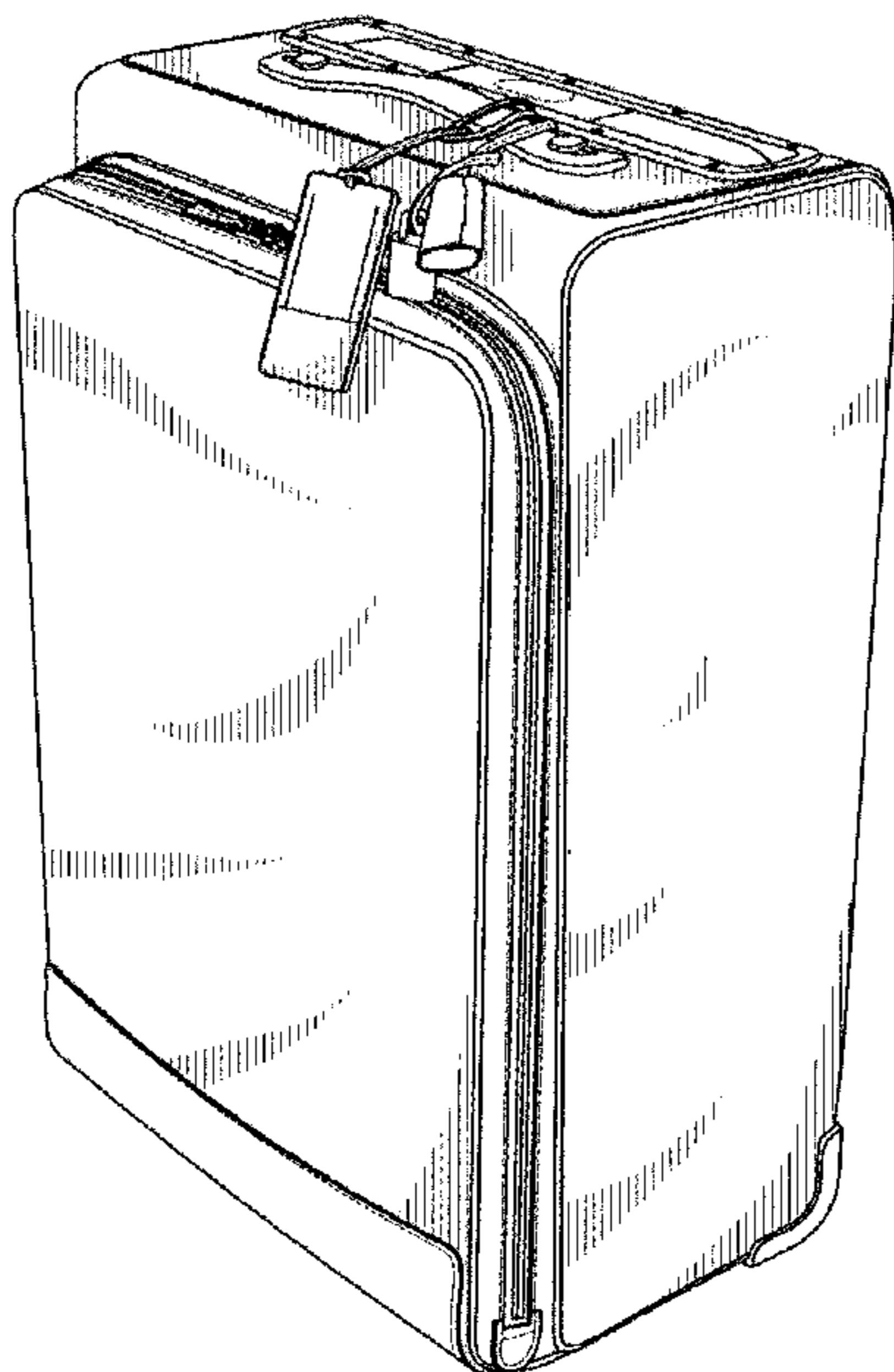
I claim the ornamental design for a suitcase, as shown and described.

**DESCRIPTION**

FIG. 1 is a front view of a suitcase of the claimed design; FIG. 2 is a rear view of the suitcase shown in FIG. 1; FIG. 3 is a left side view of the suitcase shown in FIG. 1; FIG. 4 is a right side view of the suitcase shown in FIG. 1; FIG. 5 is a top view of the suitcase shown in FIG. 1; FIG. 6 is a bottom view of the suitcase shown in FIG. 1; FIG. 7 is a front perspective view of the suitcase shown in FIG. 1; FIG. 8 is a front perspective view of the suitcase shown in FIG. 1 with the handle in an extended position; FIG. 9 is a front perspective view of the suitcase shown in FIG. 8 with the front section unzipped to expose an interior compartment; and, FIG. 10 is a front perspective view of the suitcase shown in FIG. 1 with the front section unzipped to expose an interior compartment.

The broken lines shown in the drawings illustrate portions of the suitcase and form no part of the claimed design.

**1 Claim, 9 Drawing Sheets**



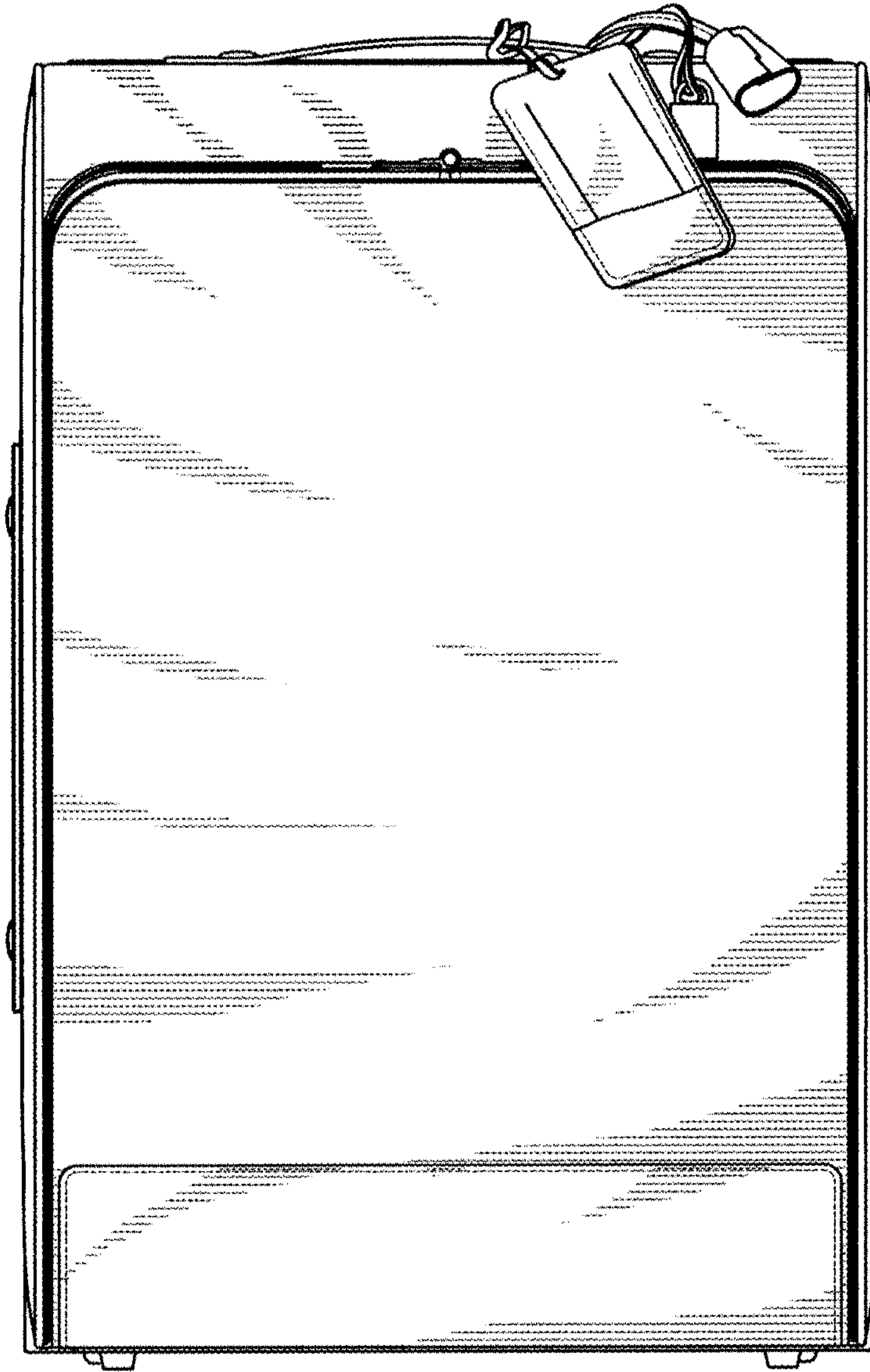


FIG. 1

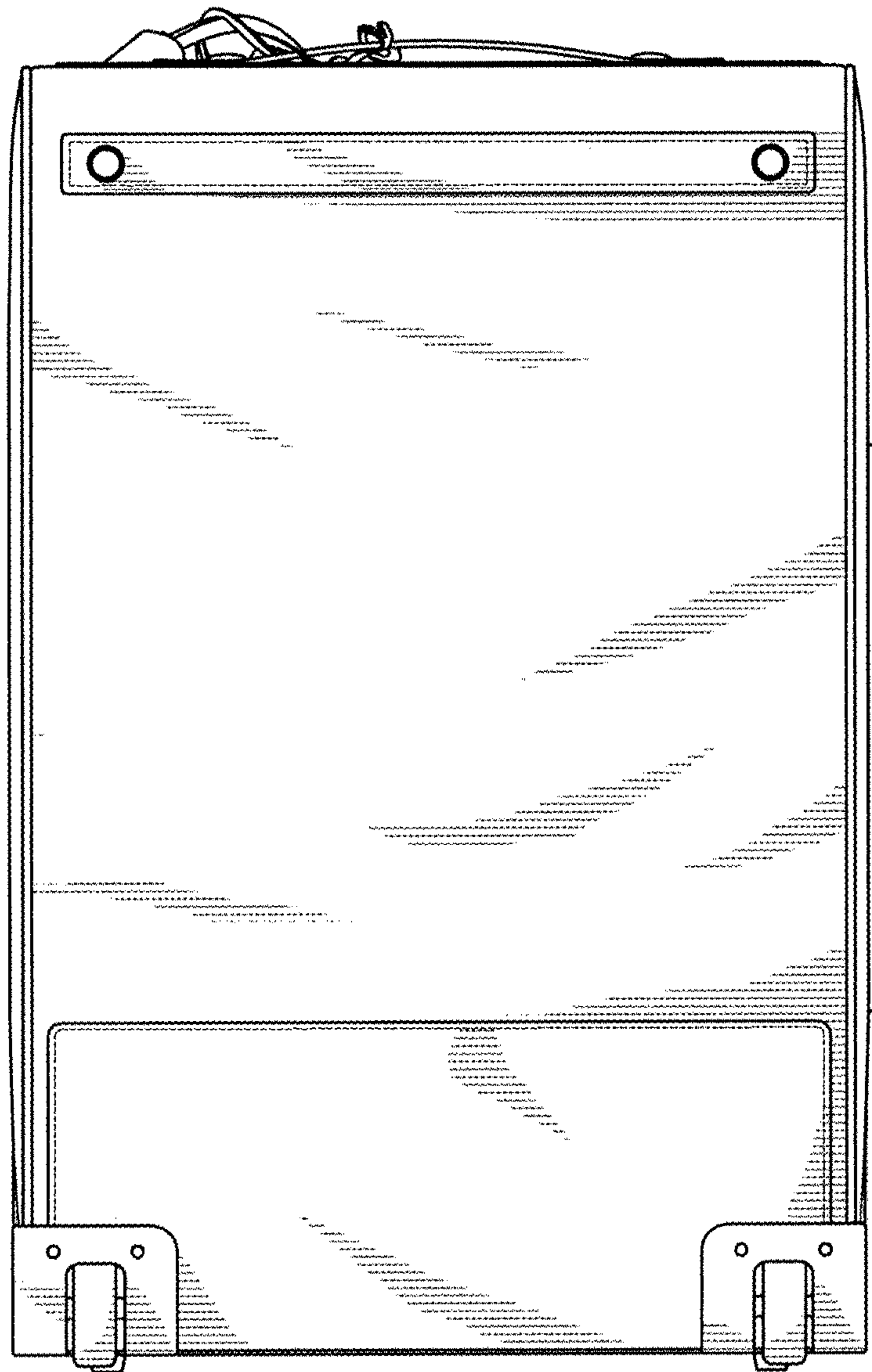


FIG.2

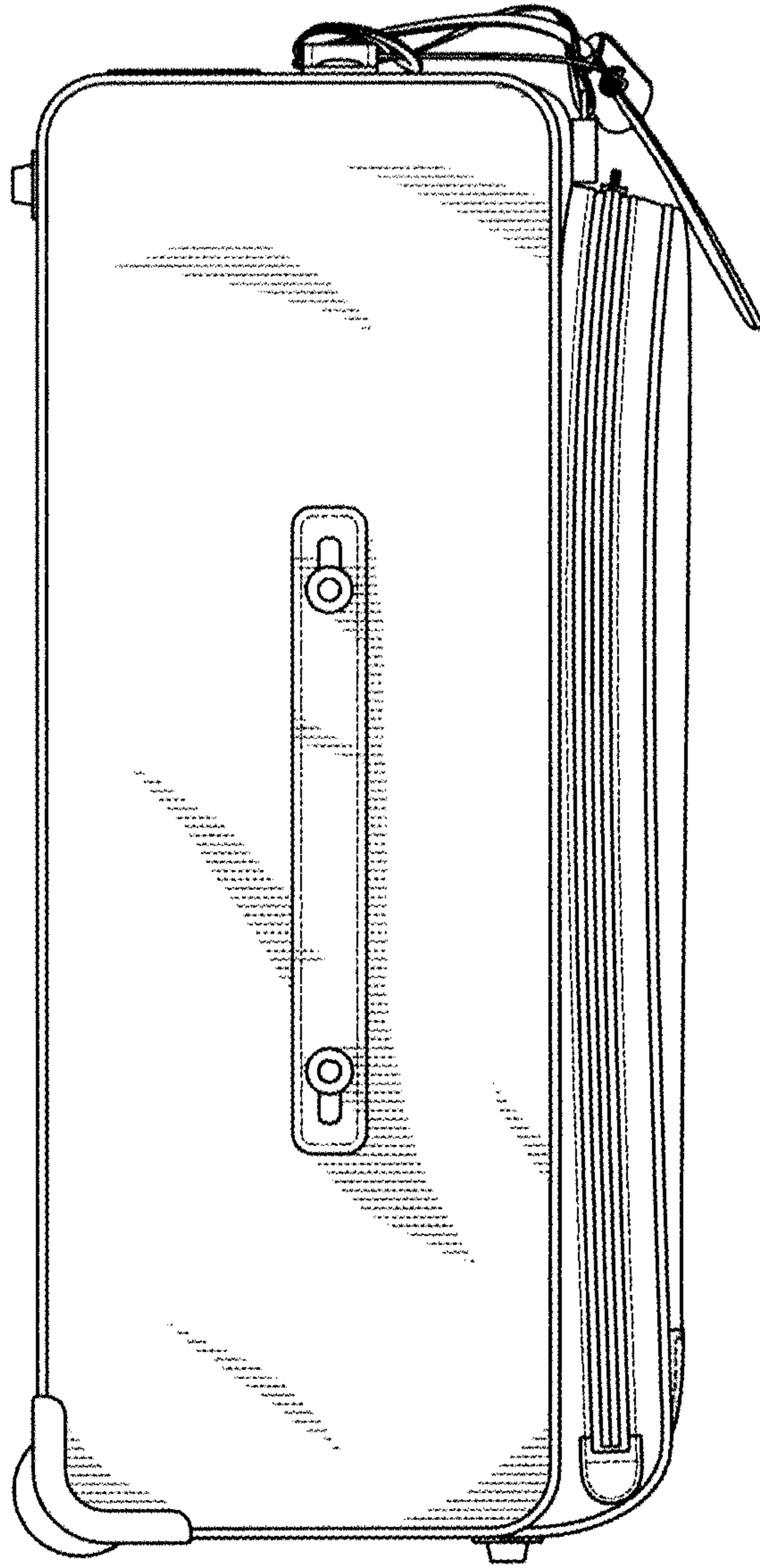


FIG.3

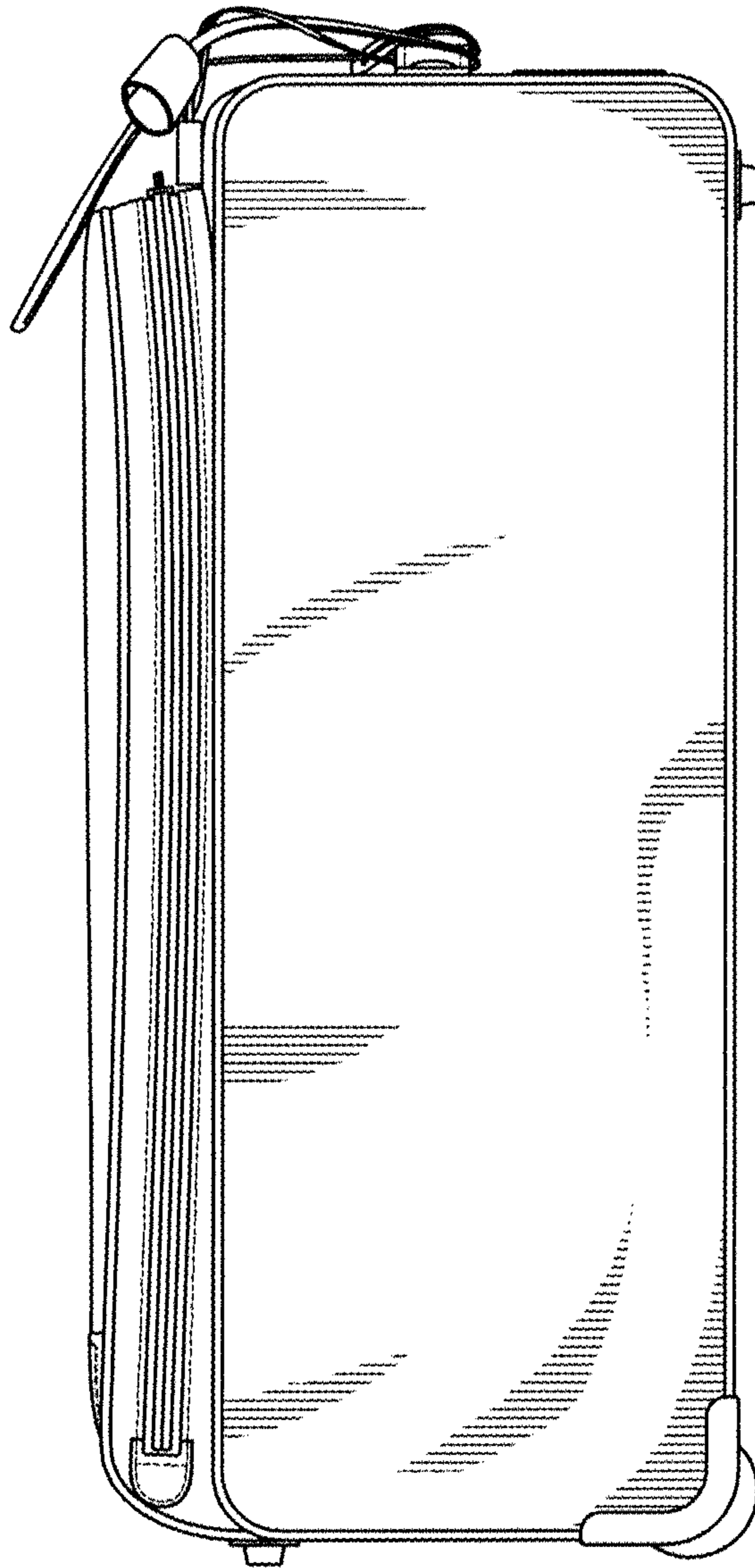


FIG.4

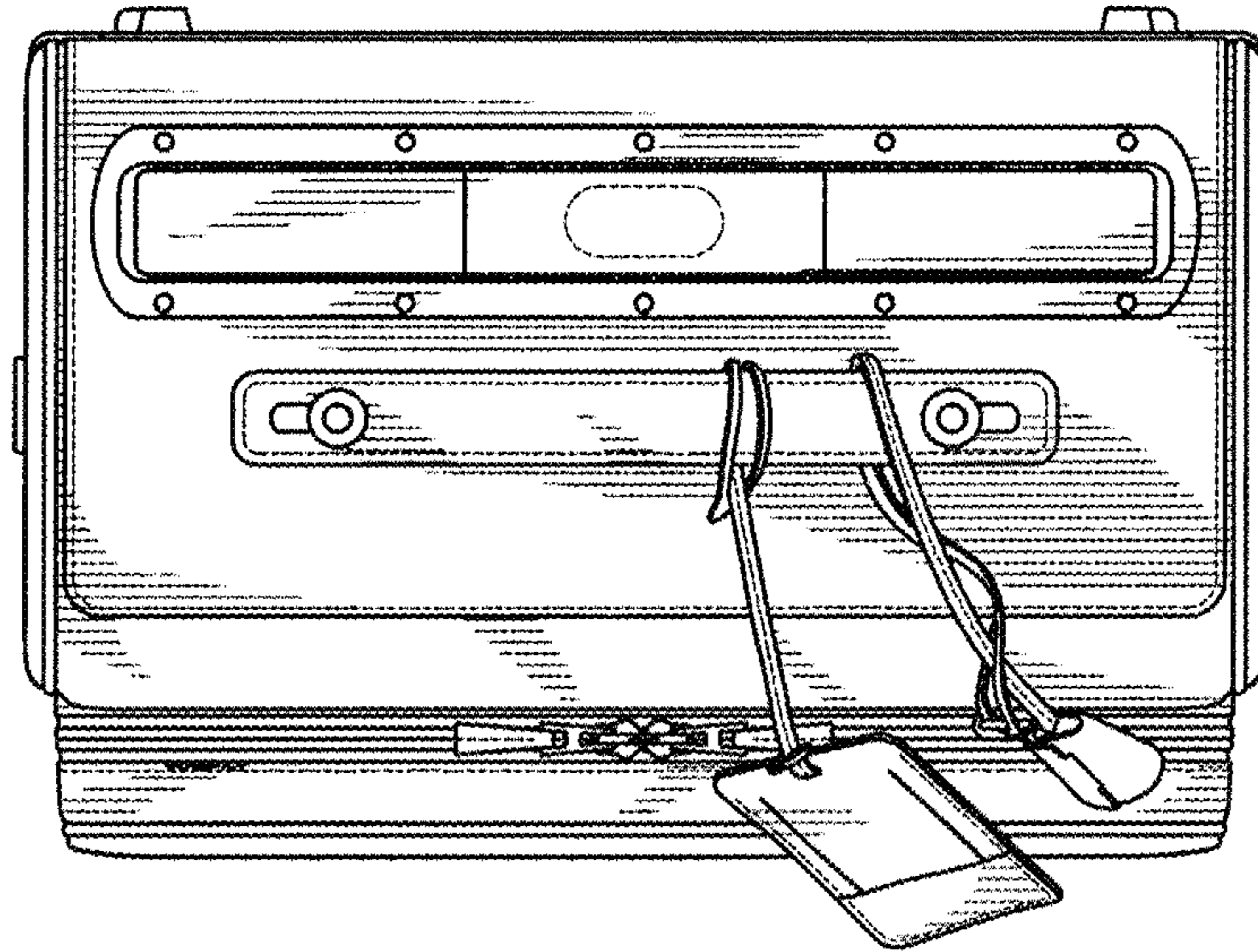


FIG. 5

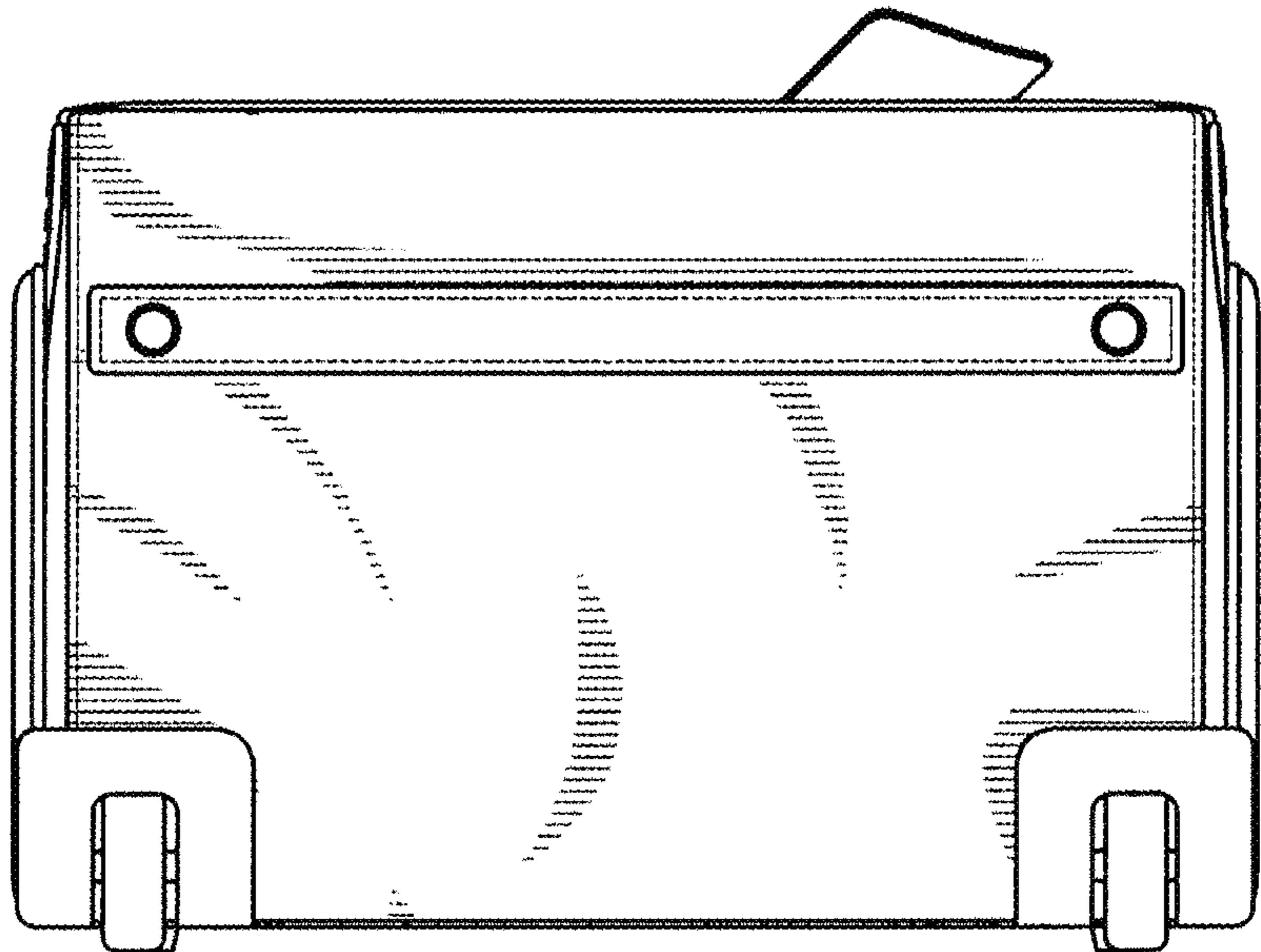


FIG. 6

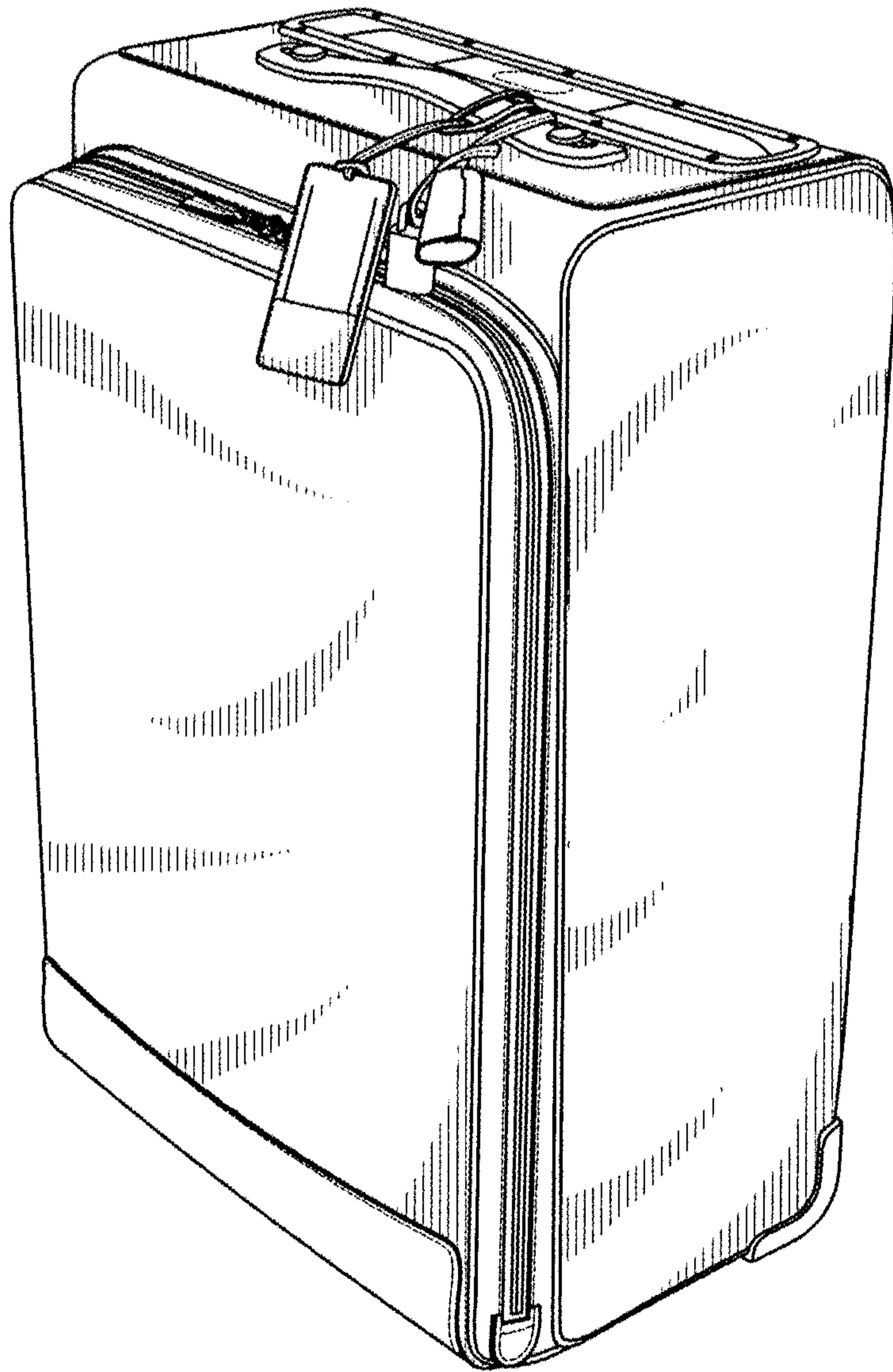


FIG.7

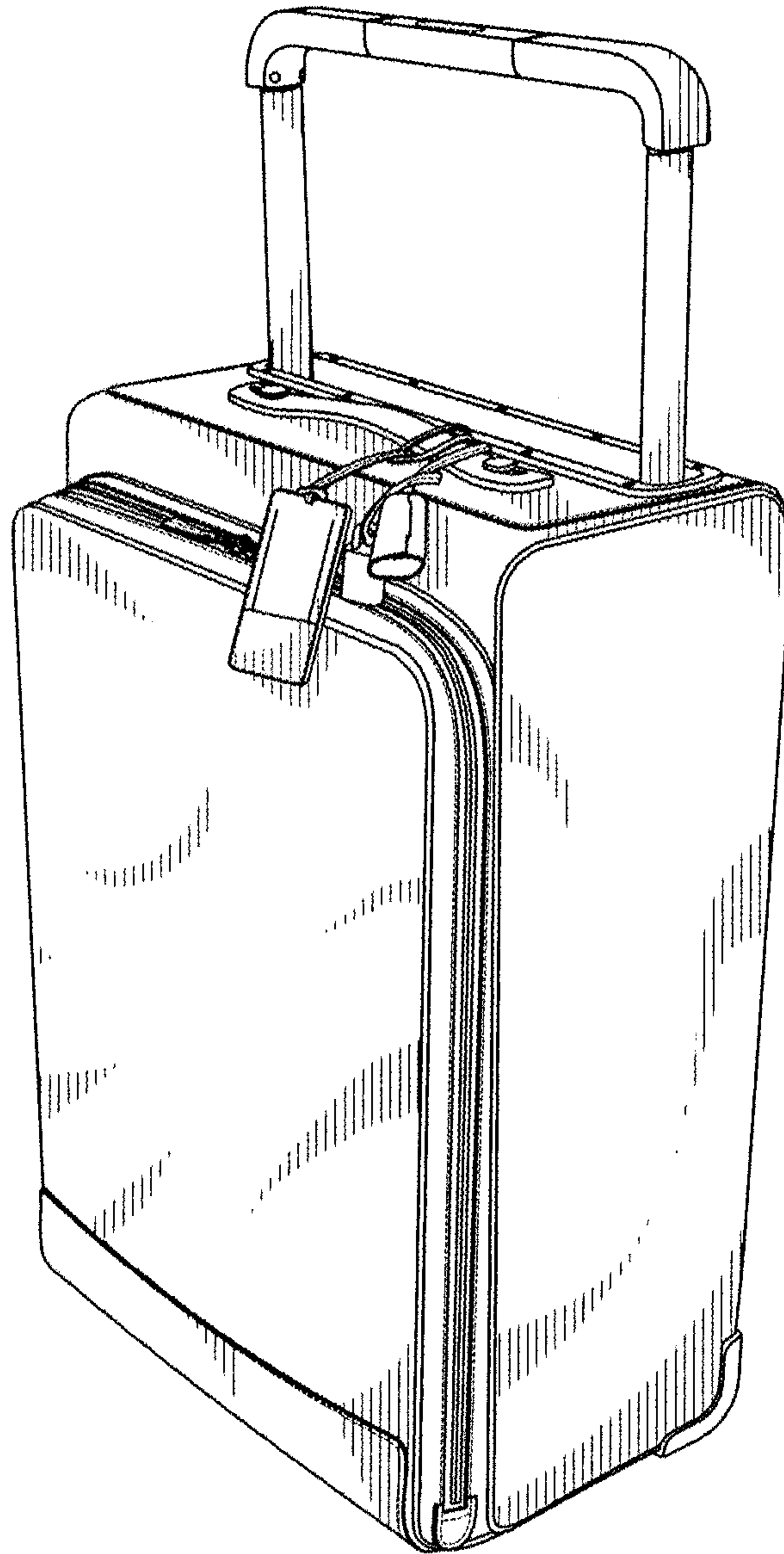


FIG.8





FIG.9

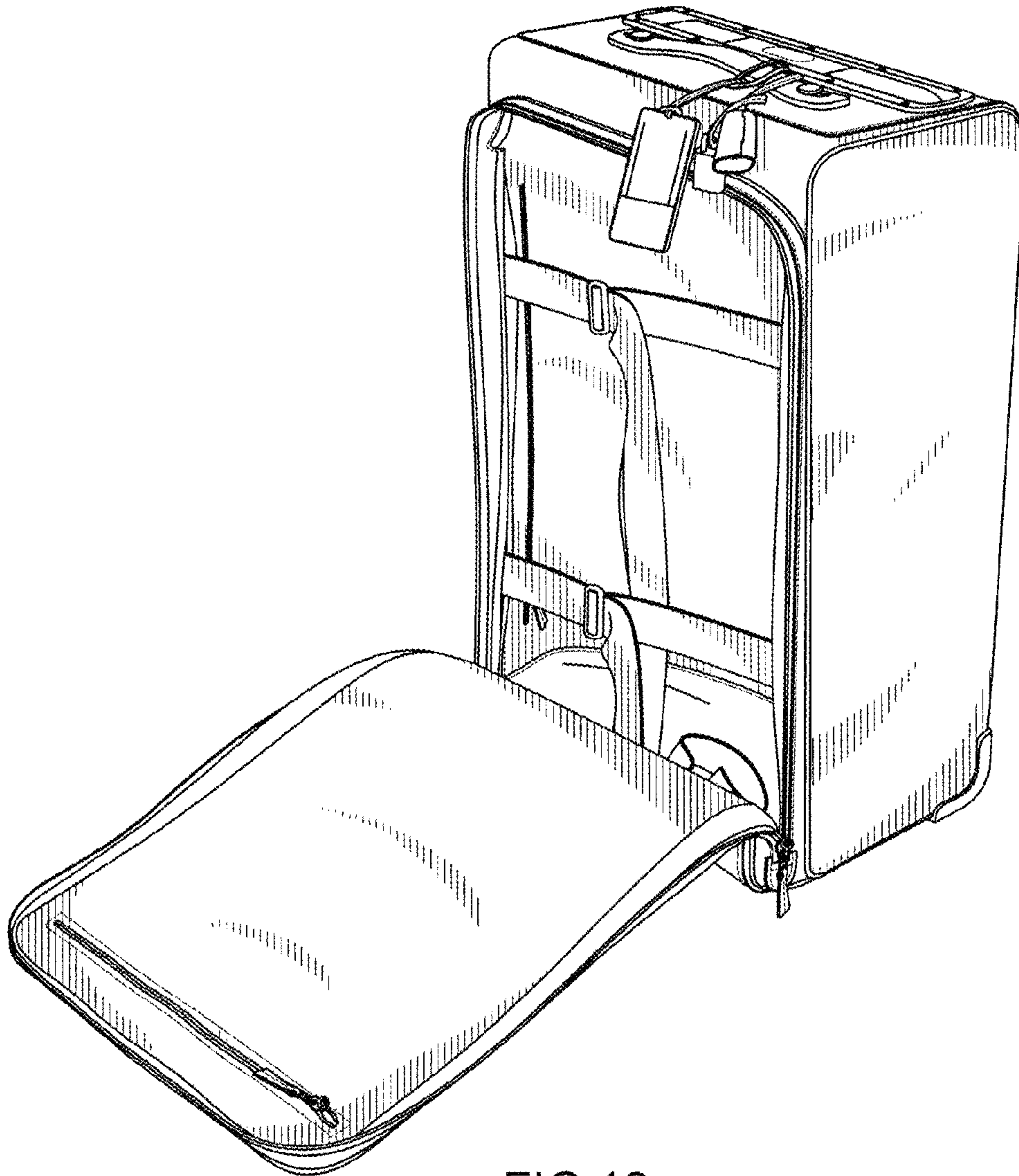


FIG.10