



US00D683537S

(12) **United States Design Patent**  
**Bandru**

(10) **Patent No.:** **US D683,537 S**  
(45) **Date of Patent:** **\*\* Jun. 4, 2013**

(54) **COMBINED BAG/GARMENT**

(76) **Inventor:** **Brian R. Bandru**, Clifford Township,  
PA (US)

(\*\*) **Term:** **14 Years**

(21) **Appl. No.:** **29/395,689**

(22) **Filed:** **Mar. 14, 2012**

(51) **LOC (9) Cl.** ..... **03-01**

(52) **U.S. Cl.**  
USPC ..... **D3/217**

(58) **Field of Classification Search**  
USPC ..... D3/214-217, 270; D2/830; 224/153,  
224/576-578

See application file for complete search history.

(56) **References Cited**

**U.S. PATENT DOCUMENTS**

4,307,470	A	12/1981	Ezell	
D323,426	S *	1/1992	Mahvi et al. ....	D3/214
5,123,117	A	6/1992	Prendergast	
D387,198	S *	12/1997	Lehmann et al. ....	D3/217
5,699,560	A	12/1997	Greenberg	
D408,133	S *	4/1999	Francis et al. ....	D3/214
D451,166	S *	11/2001	Stanbury et al. ....	D22/134
D457,306	S *	5/2002	Szyf .....	D3/217
D485,432	S *	1/2004	Desrochers .....	D3/216
6,751,806	B2	6/2004	Hinnant	
D550,449	S *	9/2007	Gossett .....	D3/217

D554,852	S *	11/2007	Peterson .....	D3/217
D587,023	S *	2/2009	Aaron et al. ....	D6/335
D616,196	S *	5/2010	Walsh .....	D3/217
7,757,911	B2 *	7/2010	Barker .....	224/153
D665,573	S *	8/2012	Crandall .....	D3/217

\* cited by examiner

*Primary Examiner* — Kelley Donnelly

(74) *Attorney, Agent, or Firm* — Paul R Martin

(57) **CLAIM**

The ornamental design for a combined bag/garment, as shown and described.

**DESCRIPTION**

FIG. 1 is a perspective view of the rear side of the combined bag/garment of my new design showing side flaps in an open configuration.

FIG. 2 is an elevational view of the front side of the combined bag/garment of my new design with side flaps in an open configuration.

FIG. 3 is a top plan view thereof.

FIG. 4 is an elevational view of the rear side thereof.

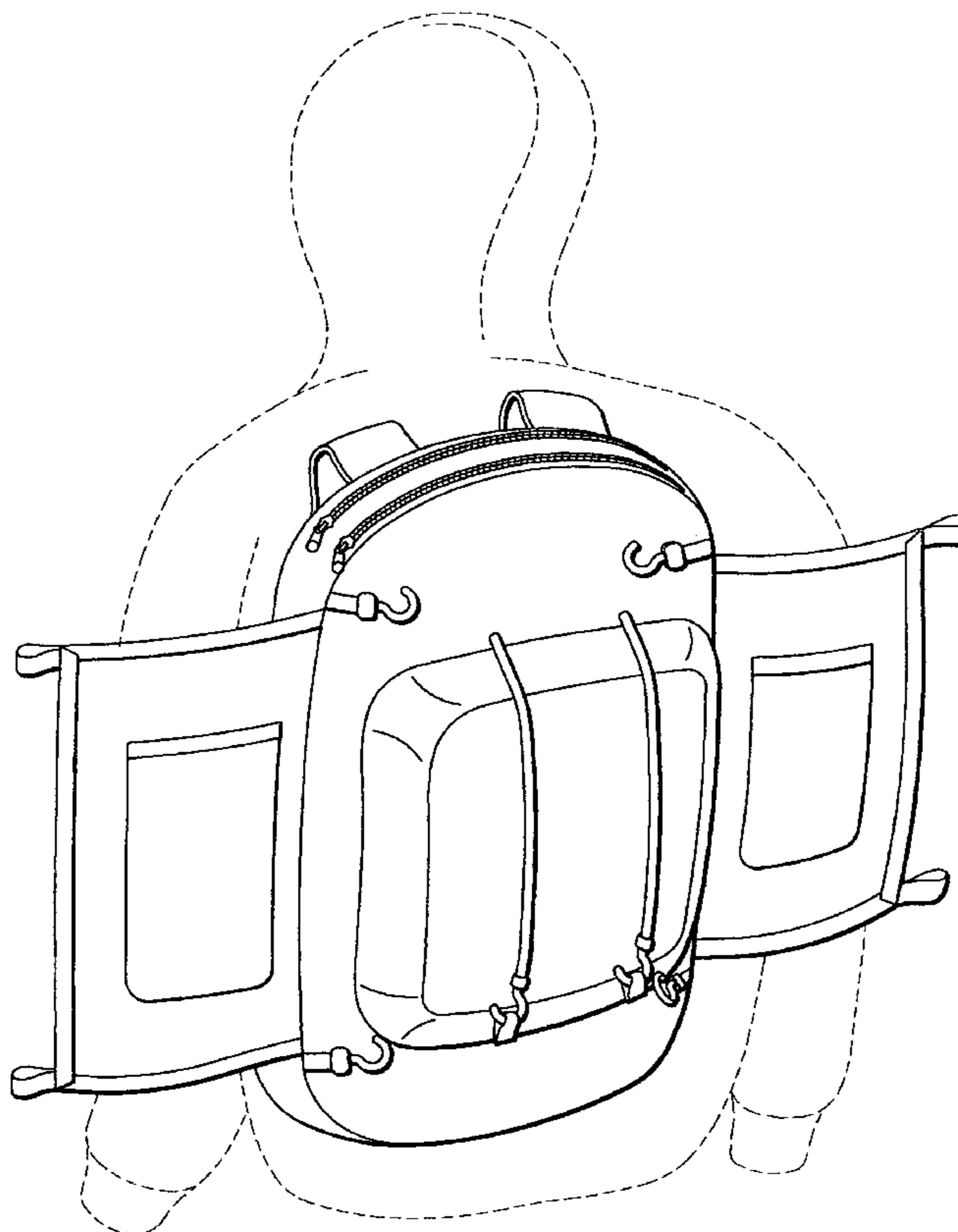
FIG. 5 is a bottom plan view thereof.

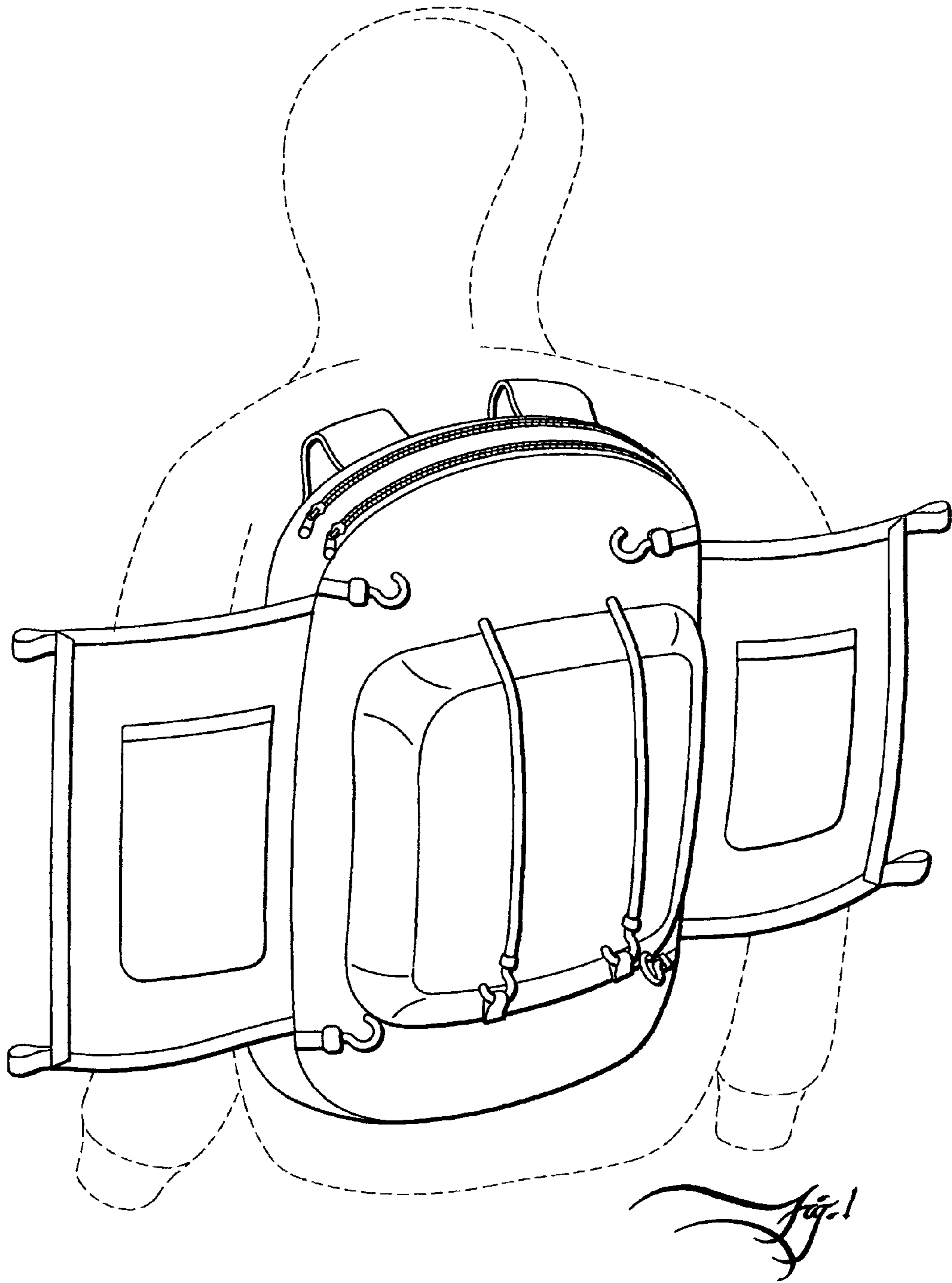
FIG. 6 is a left side elevational view thereof; and,

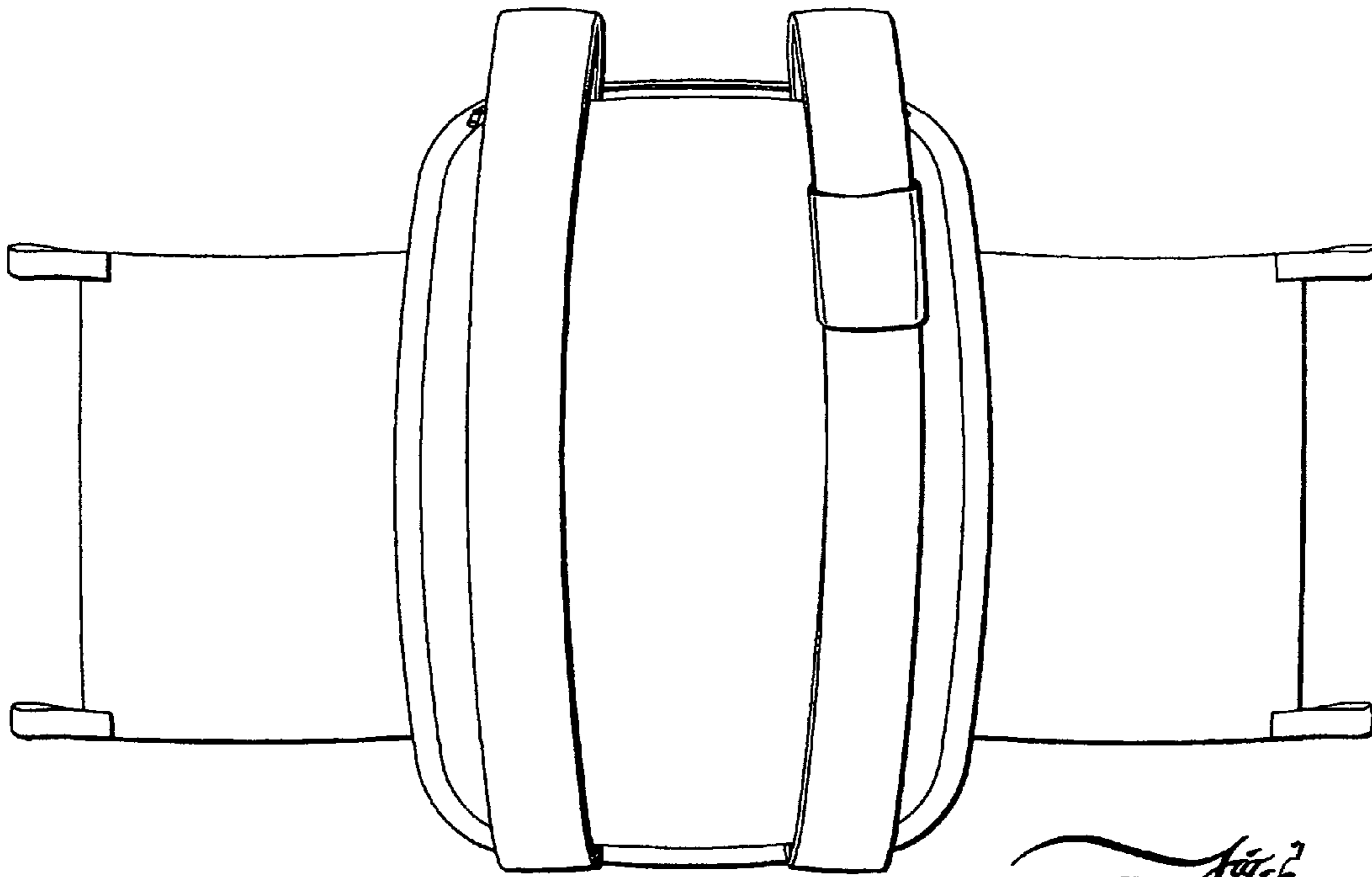
FIG. 7 is a right side elevational view thereof.

The broken lines showing is included for the purpose of illustrating environment of the article and forms no part of the claimed design.

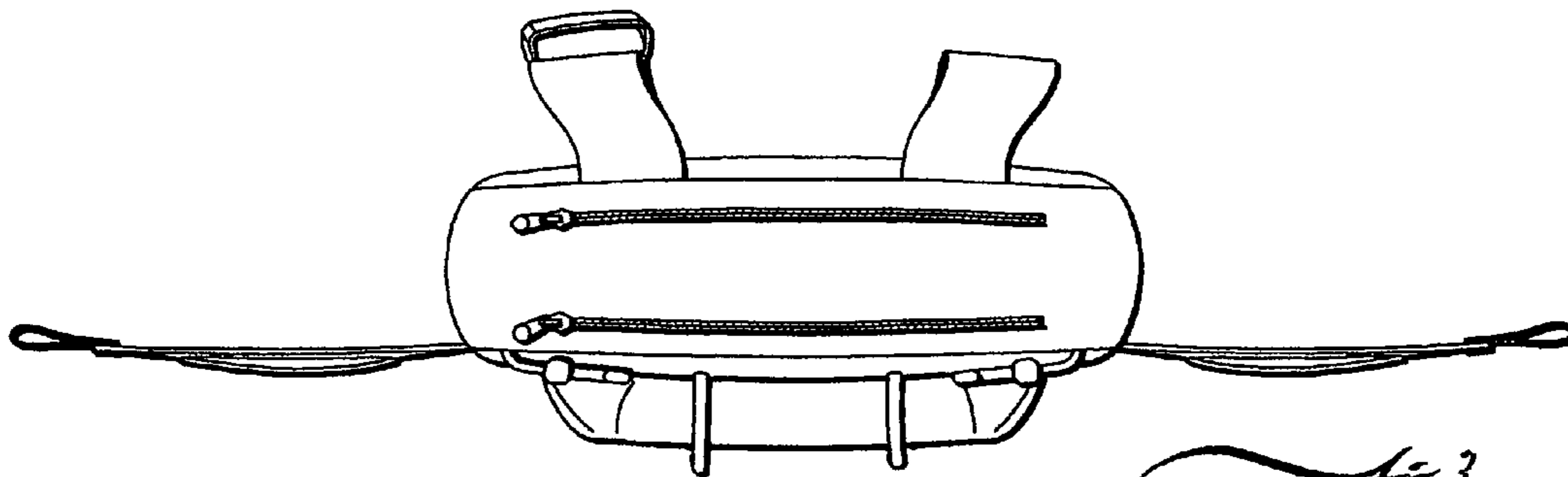
**1 Claim, 4 Drawing Sheets**



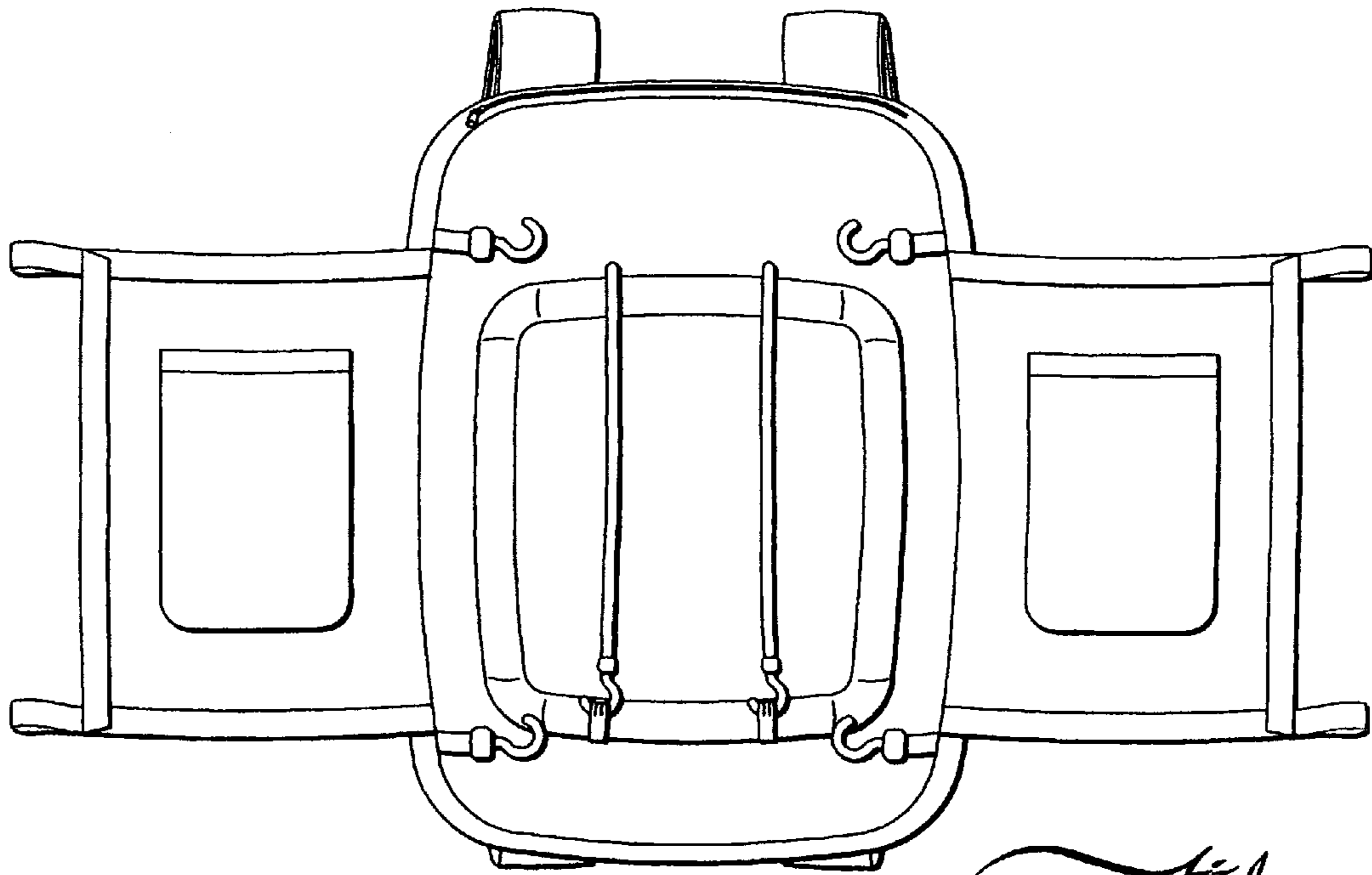




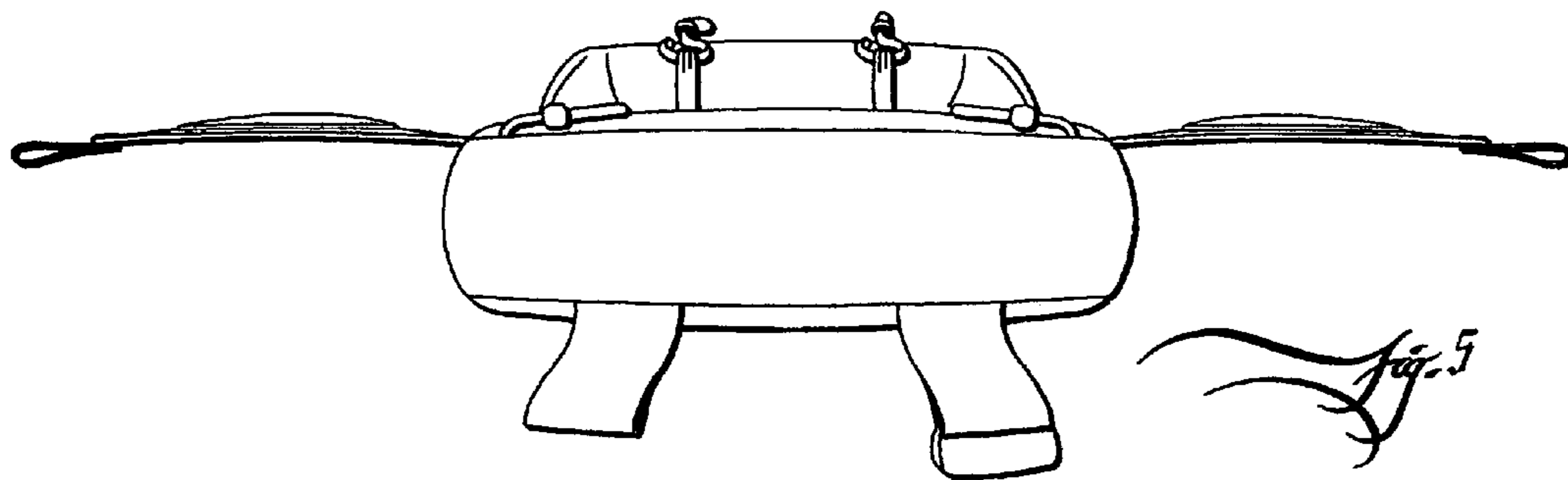
*Fig. 2*



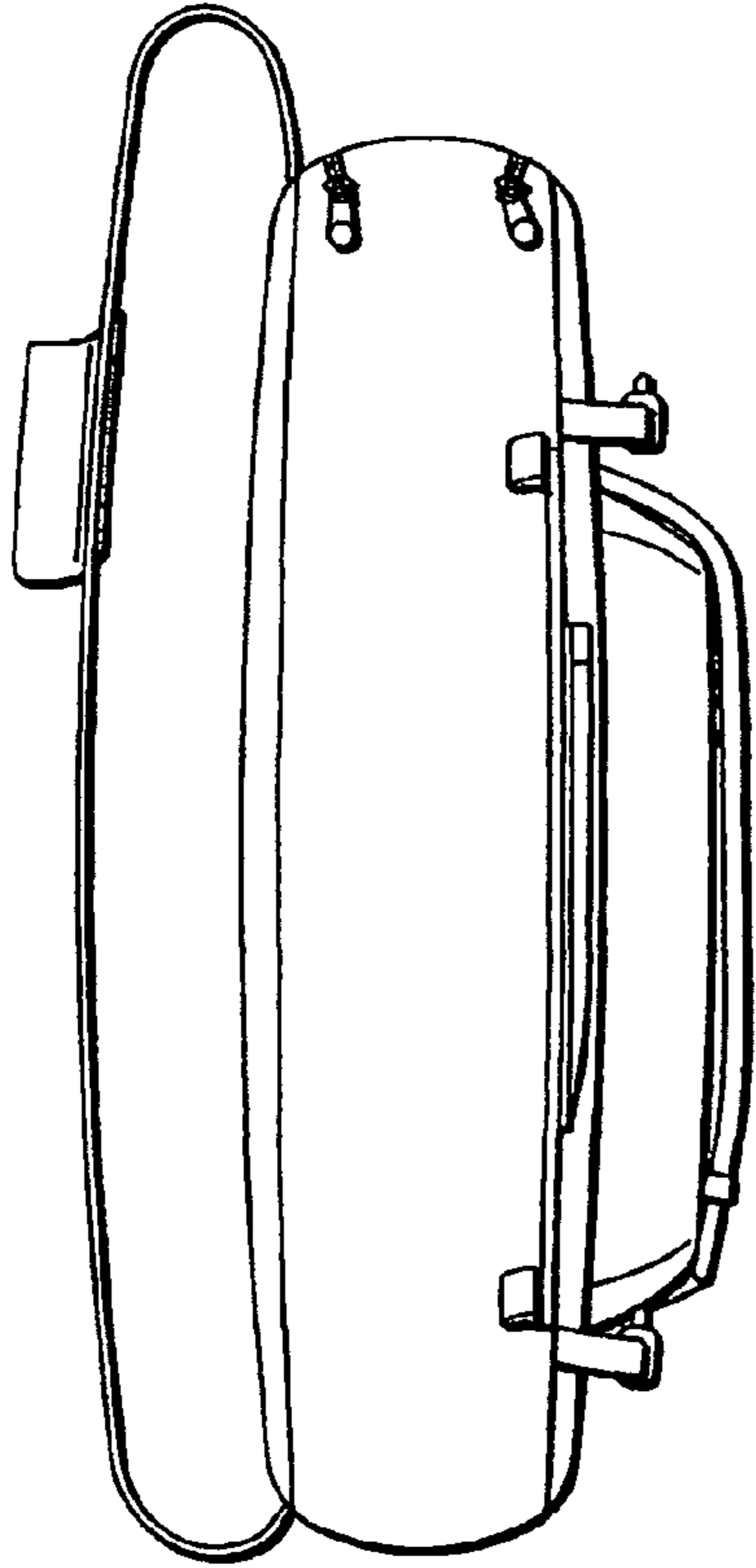
*Fig. 3*



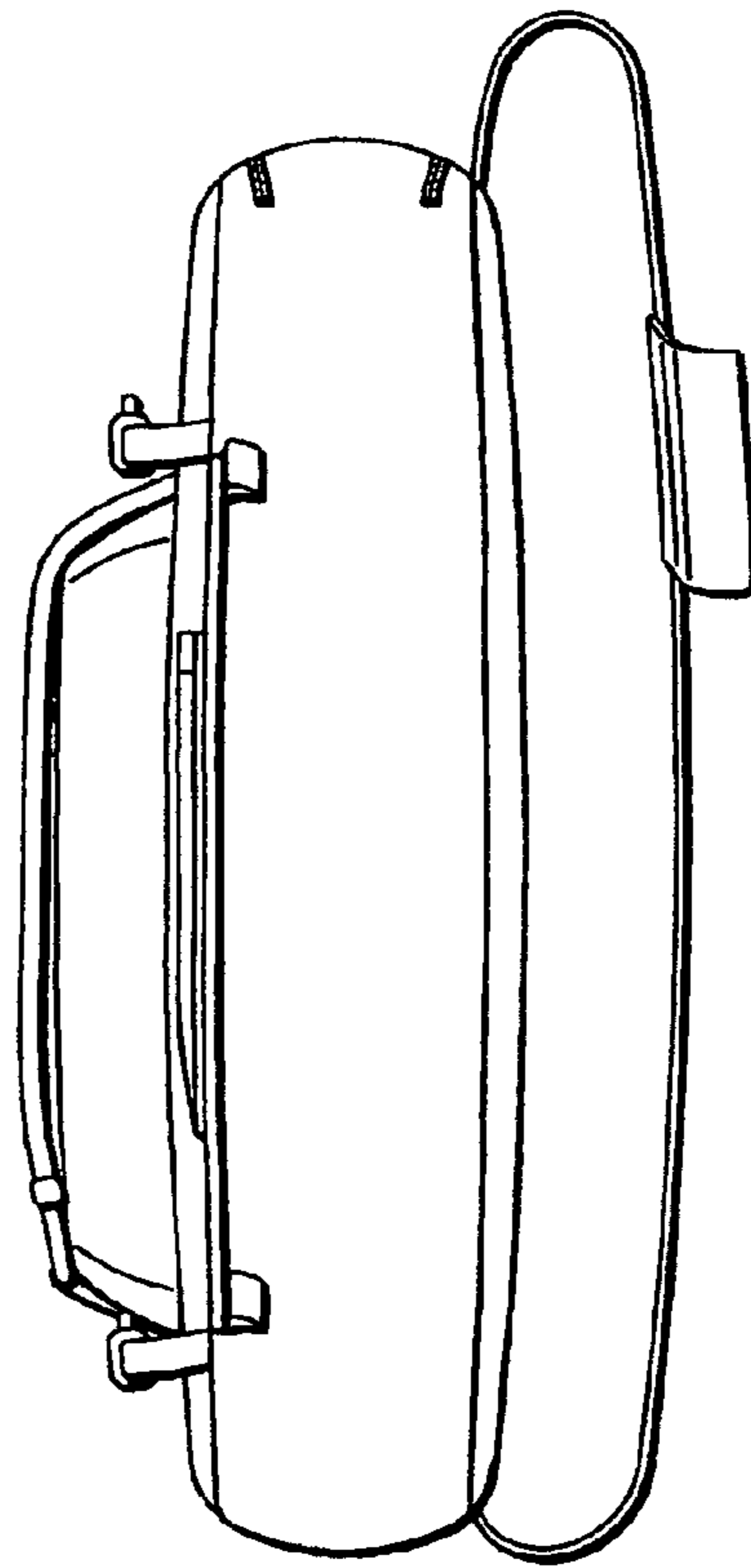
*Fig. 4*



*Fig. 5*



*Fig. 6*



*Fig. 7*