



US00D683525S

(12) **United States Design Patent**  
**Iamartino**

(10) **Patent No.:** **US D683,525 S**  
(45) **Date of Patent:** **\*\* Jun. 4, 2013**

(54) **TANK TOP**

(75) **Inventor:** **Antonia Iamartino**, Vancouver (CA)

(73) **Assignee:** **Lululemon Athletica Canada Inc.**,  
Vancouver (CA)

(\*\*) **Term:** **14 Years**

(21) **Appl. No.:** **29/368,077**

(22) **Filed:** **Aug. 18, 2010**

(51) **LOC (9) Cl.** ..... **02-02**

(52) **U.S. Cl.**

USPC ..... **D2/840**

(58) **Field of Classification Search**

USPC ..... D2/717, 731, 749–751, 753, 840,  
D2/841, 844, 847, 849; 2/90, 105, 106, 108,  
2/113–116

See application file for complete search history.

(56) **References Cited**

**U.S. PATENT DOCUMENTS**

1,828,310	A *	10/1931	Bergh	.....	2/67
2,115,443	A *	4/1938	Flesh	.....	450/30
2,651,040	A *	9/1953	Block	.....	450/30
D260,445	S *	9/1981	Schreiber et al.	.....	D2/700
5,094,648	A *	3/1992	Turner	.....	450/155
D556,978	S *	12/2007	Thunstedt	.....	D2/847
7,442,110	B2 *	10/2008	Gaudet et al.	.....	450/39
D641,129	S *	7/2011	Zarabi	.....	D2/703
D641,130	S *	7/2011	Zarabi	.....	D2/703
D656,298	S *	3/2012	Schindler	.....	D2/703
2004/0045325	A1 *	3/2004	Rabinowicz et al.	.....	66/176
2010/0011481	A1 *	1/2010	Kipnes	.....	2/105
2011/0219513	A1 *	9/2011	Hendrickson	.....	2/113

**OTHER PUBLICATIONS**

Gaiam. <http://www.gaiam.com/product/organic+cross+back+tank.do>. Date Unknown: Viewed Sep. 2012. "Organic Cross Back Tank".\*

\* cited by examiner

*Primary Examiner* — Rashida Johnson

(74) *Attorney, Agent, or Firm* — McCarthy Tétrault LLP

(57) **CLAIM**

The ornamental design for a tank top, as shown and described.

**DESCRIPTION**

FIG. 1 is a front view of a tank top according to a first embodiment of the design;

FIG. 2 is a rear view thereof;

FIG. 3 is a left side view thereof;

FIG. 4 is a right side view thereof;

FIG. 5 is a top view thereof, shown at an enlarged scale;

FIG. 6 is a top inside-out view thereof, shown at an enlarged scale;

FIG. 7 is a front perspective view thereof;

FIG. 8 is a front view of a tank top according to a second embodiment of the design;

FIG. 9 is a rear view thereof;

FIG. 10 is a left side view thereof;

FIG. 11 is a right side view thereof;

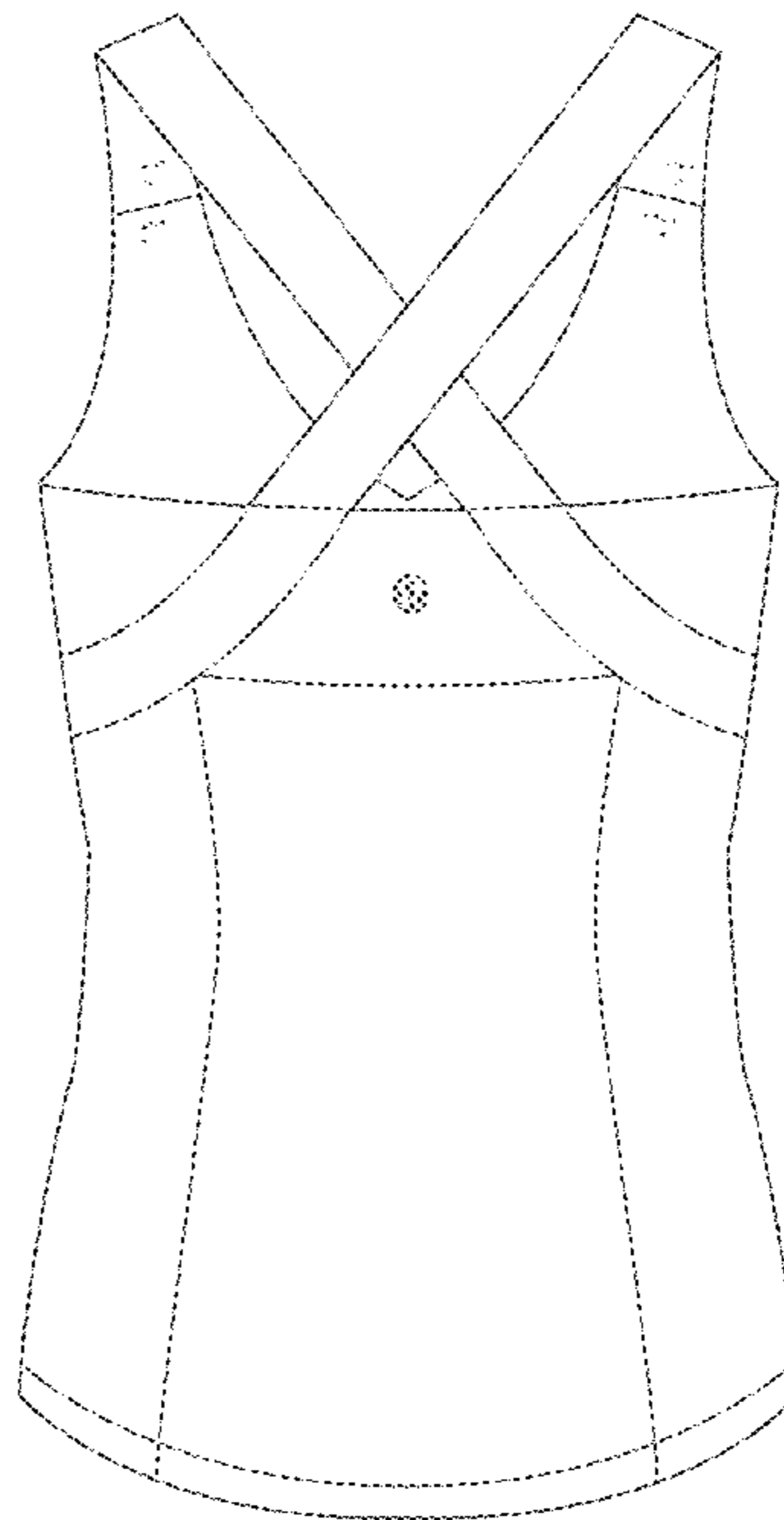
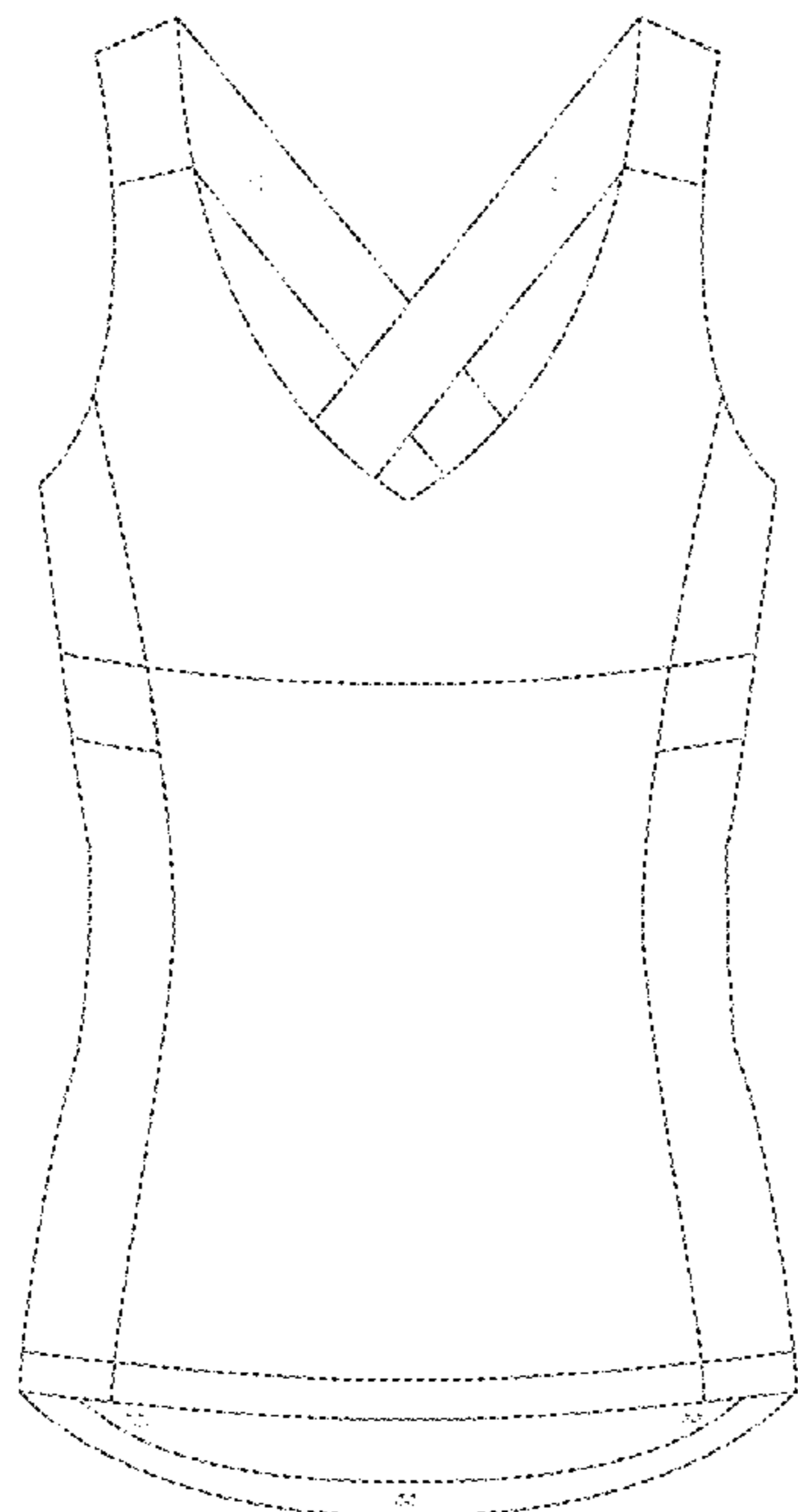
FIG. 12 is a top view thereof, shown at an enlarged scale;

FIG. 13 is a top inside-out view thereof, shown at an enlarged scale; and,

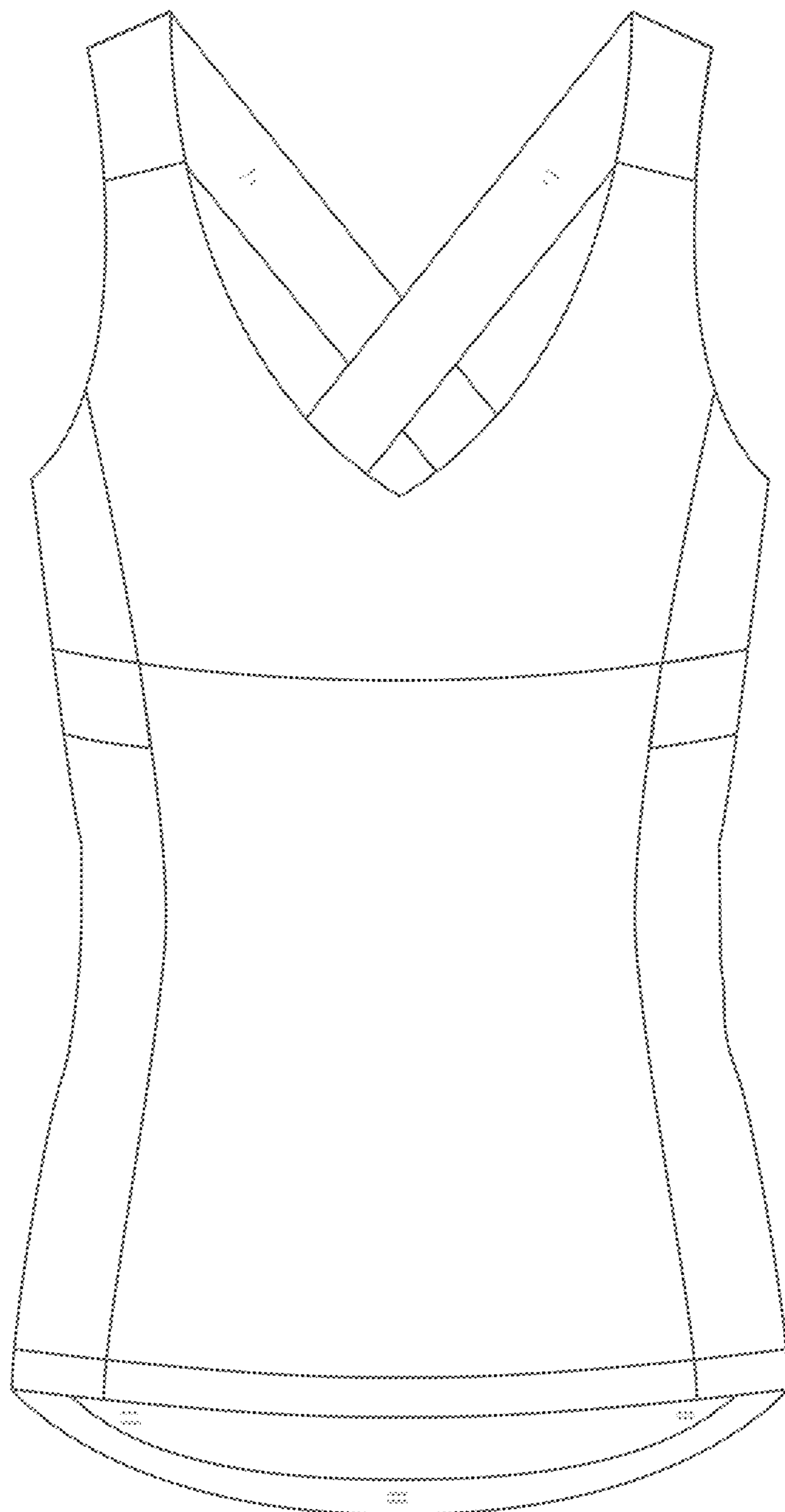
FIG. 14 is a front perspective view thereof.

The symbol depicted in FIGS. 2-4 forming part of the claimed design is a registered trademark of Lululemon Athletica Canada Inc.

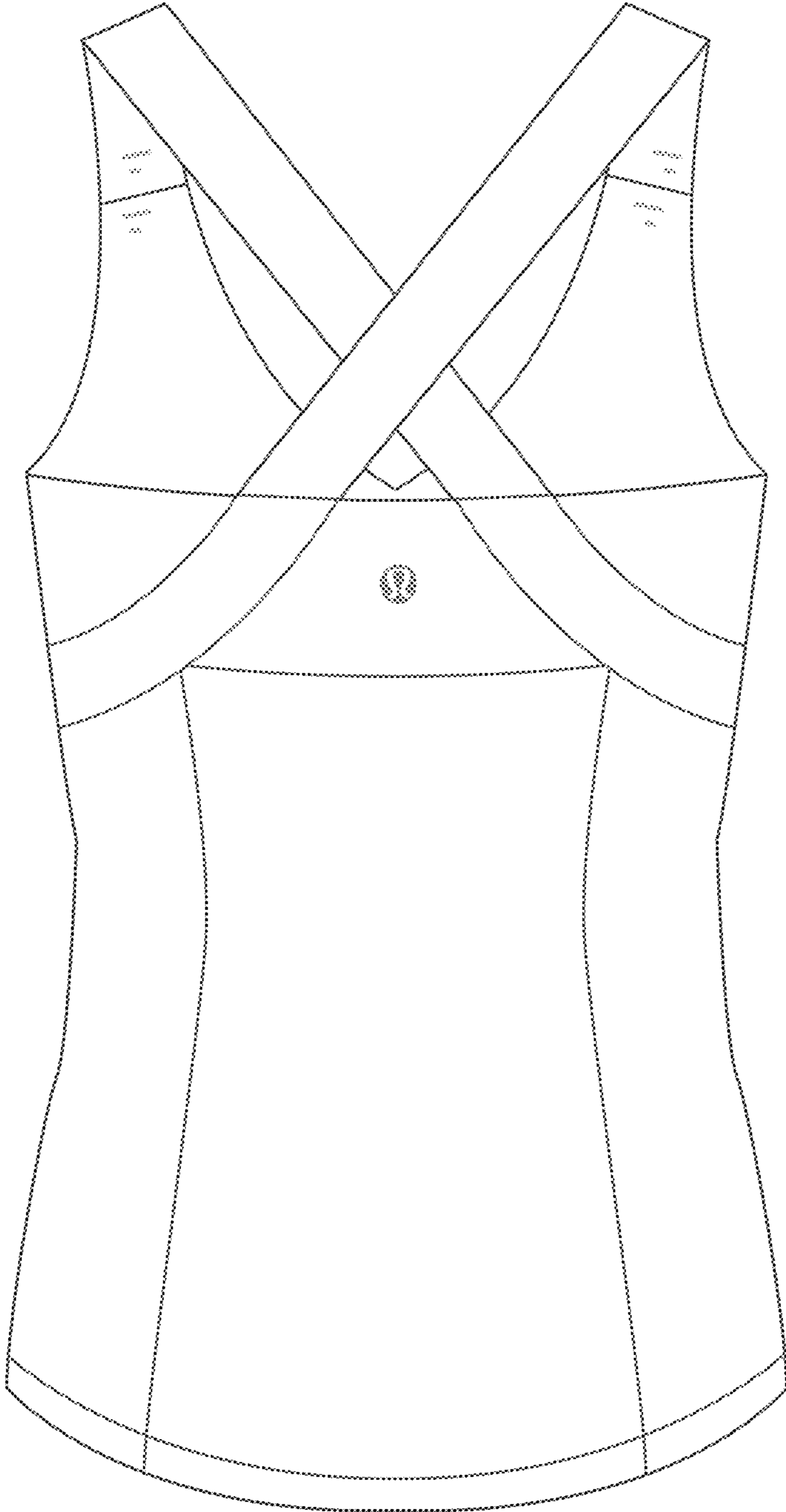
**1 Claim, 14 Drawing Sheets**



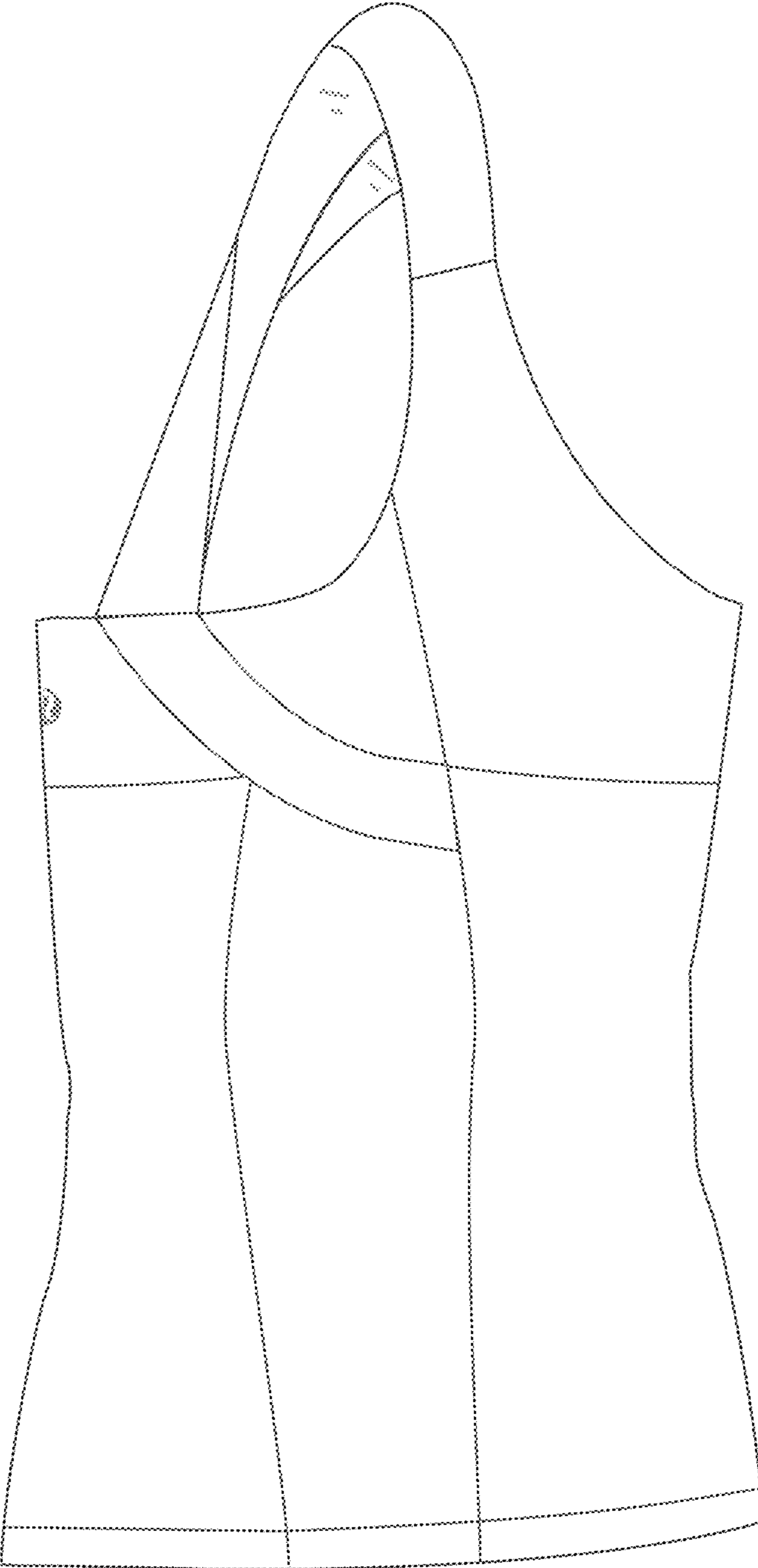
**FIG. 1**



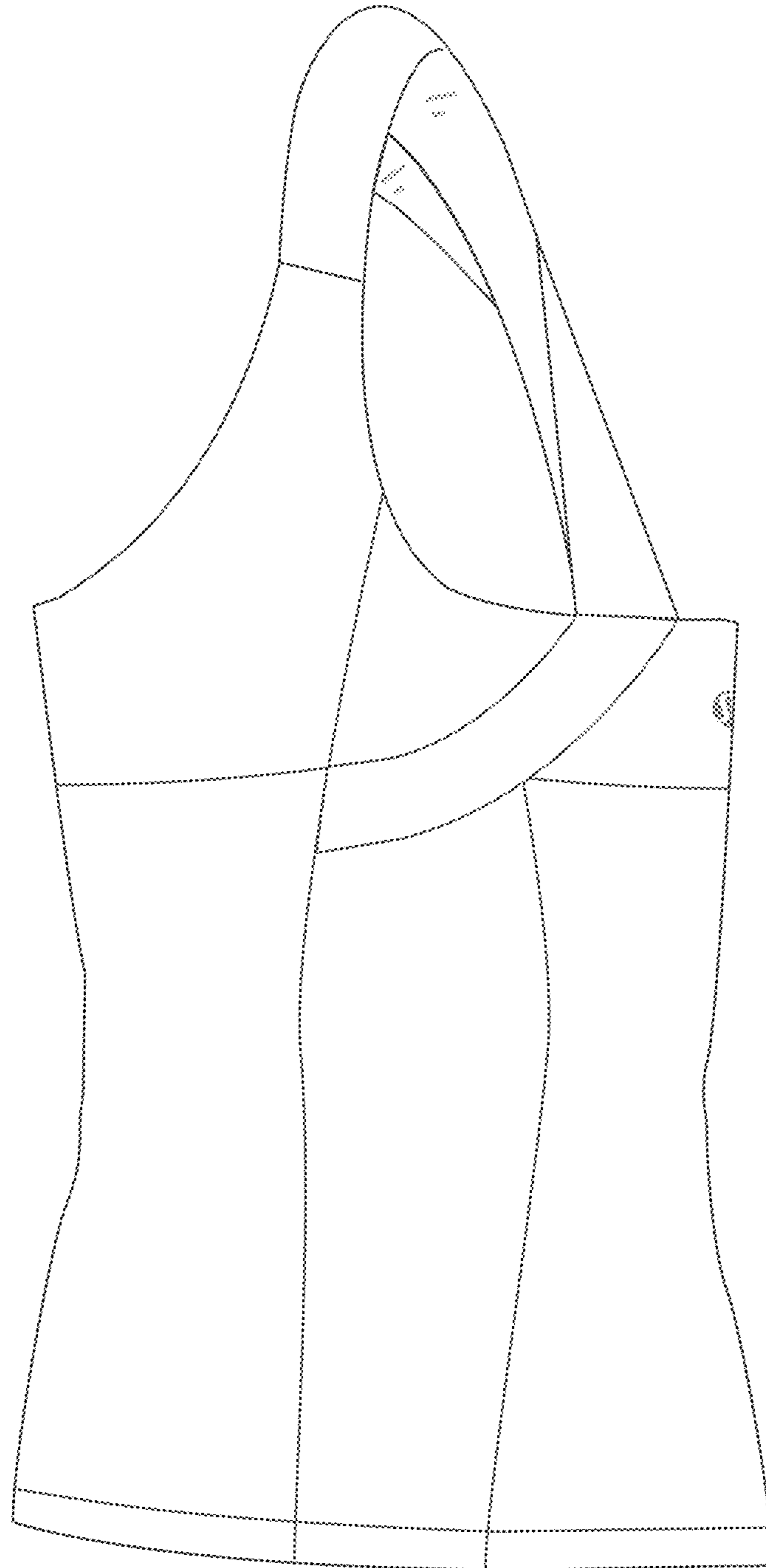
**FIG. 2**



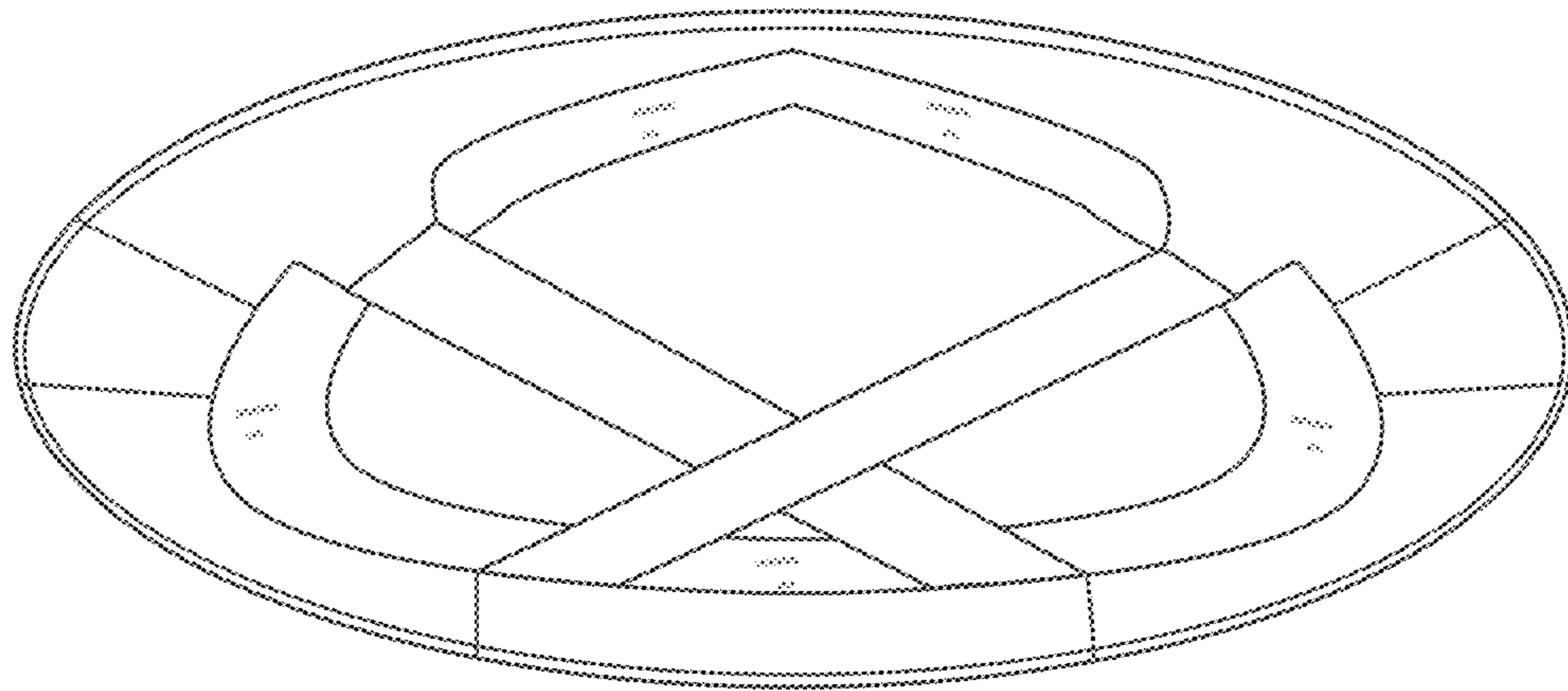
**FIG. 3**



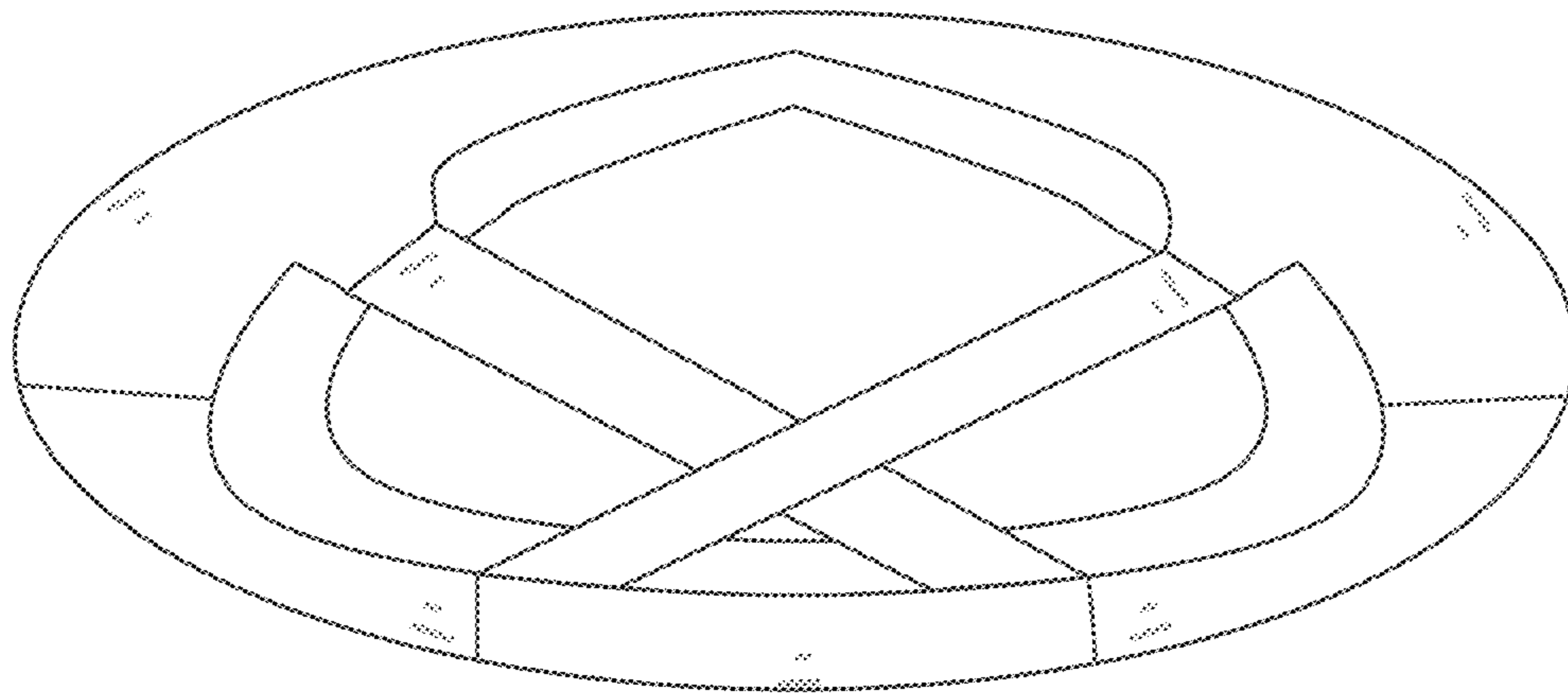
**FIG. 4**



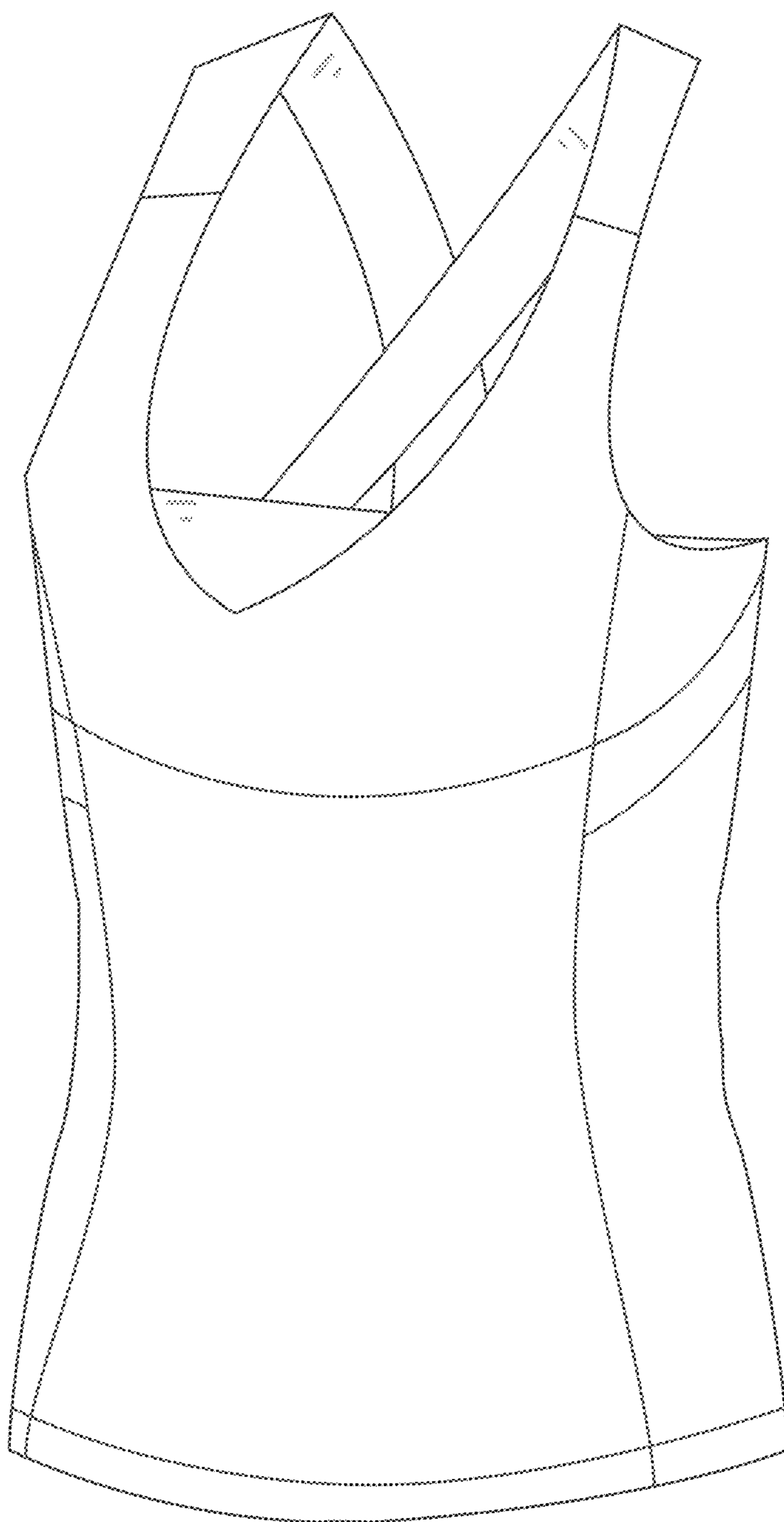
**FIG. 5**



**FIG. 6**

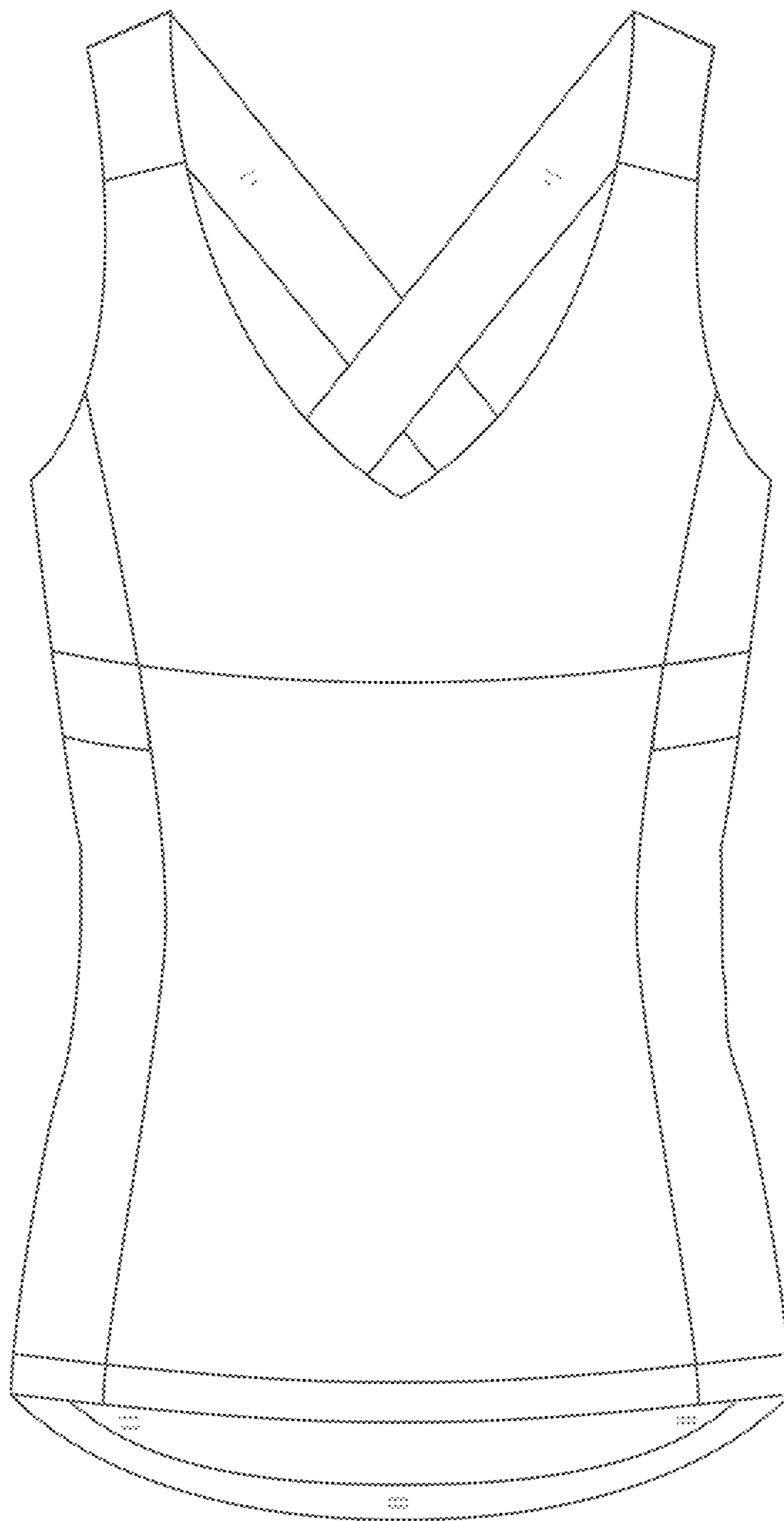


**FIG. 7**

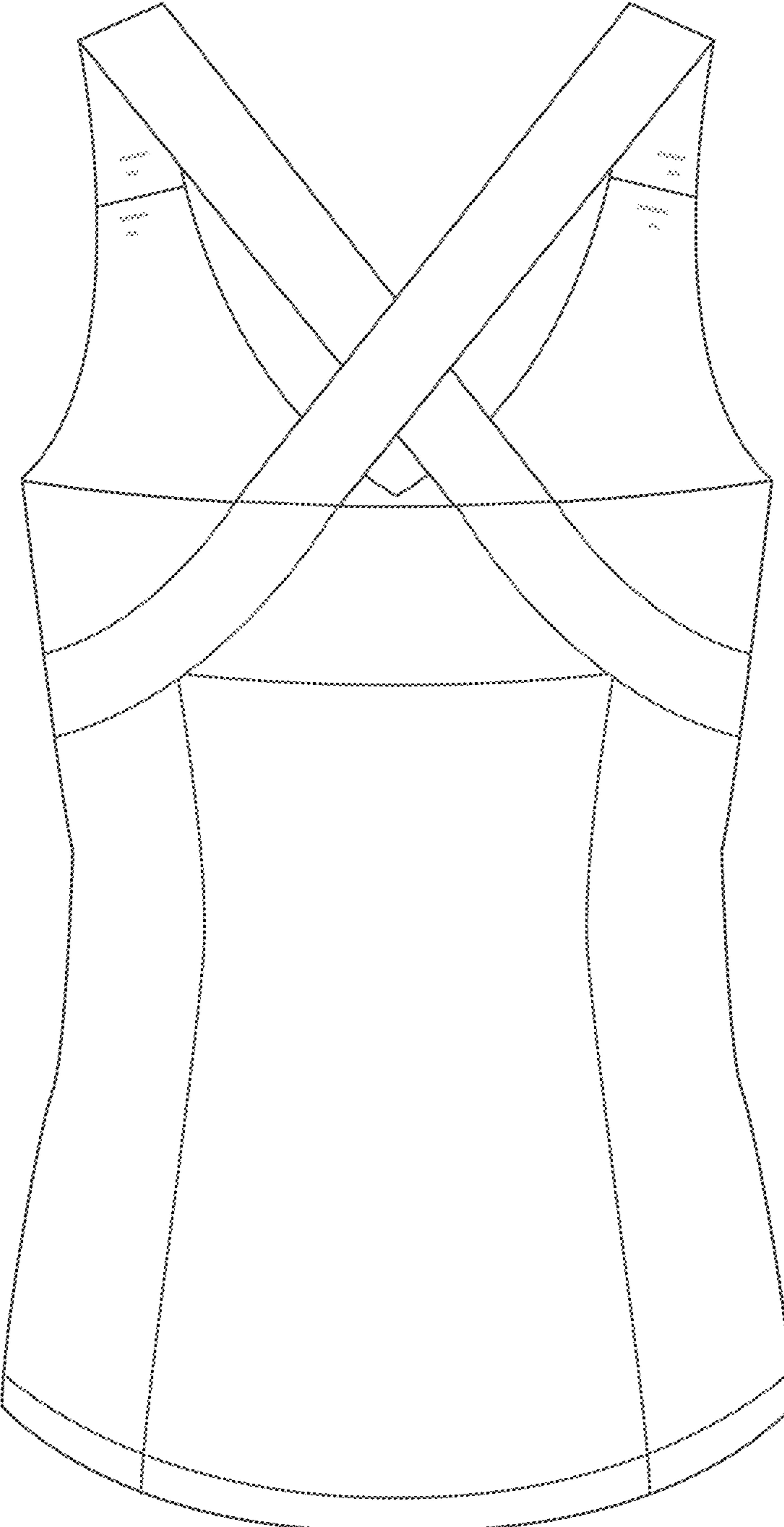




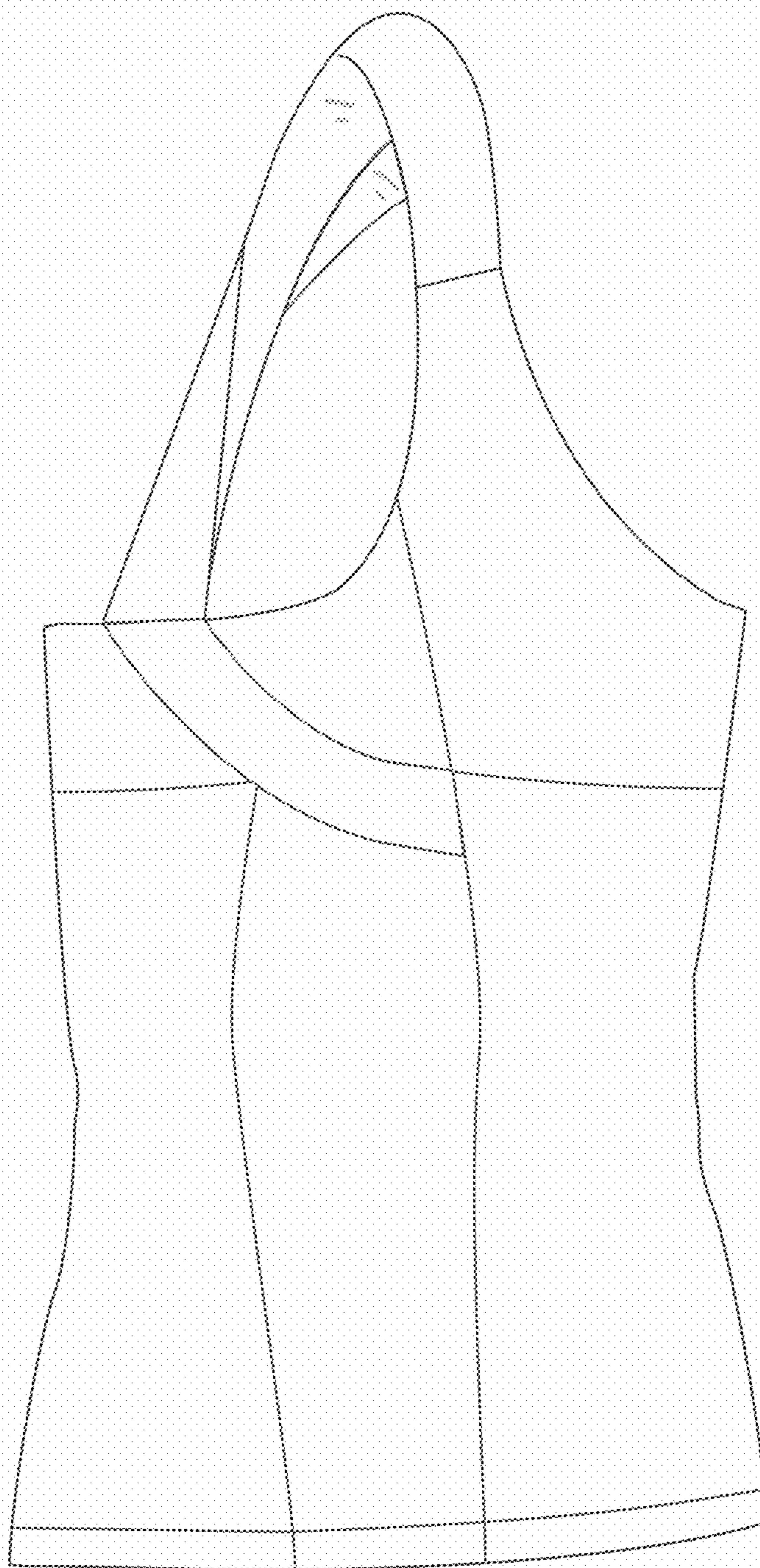
**FIG. 8**



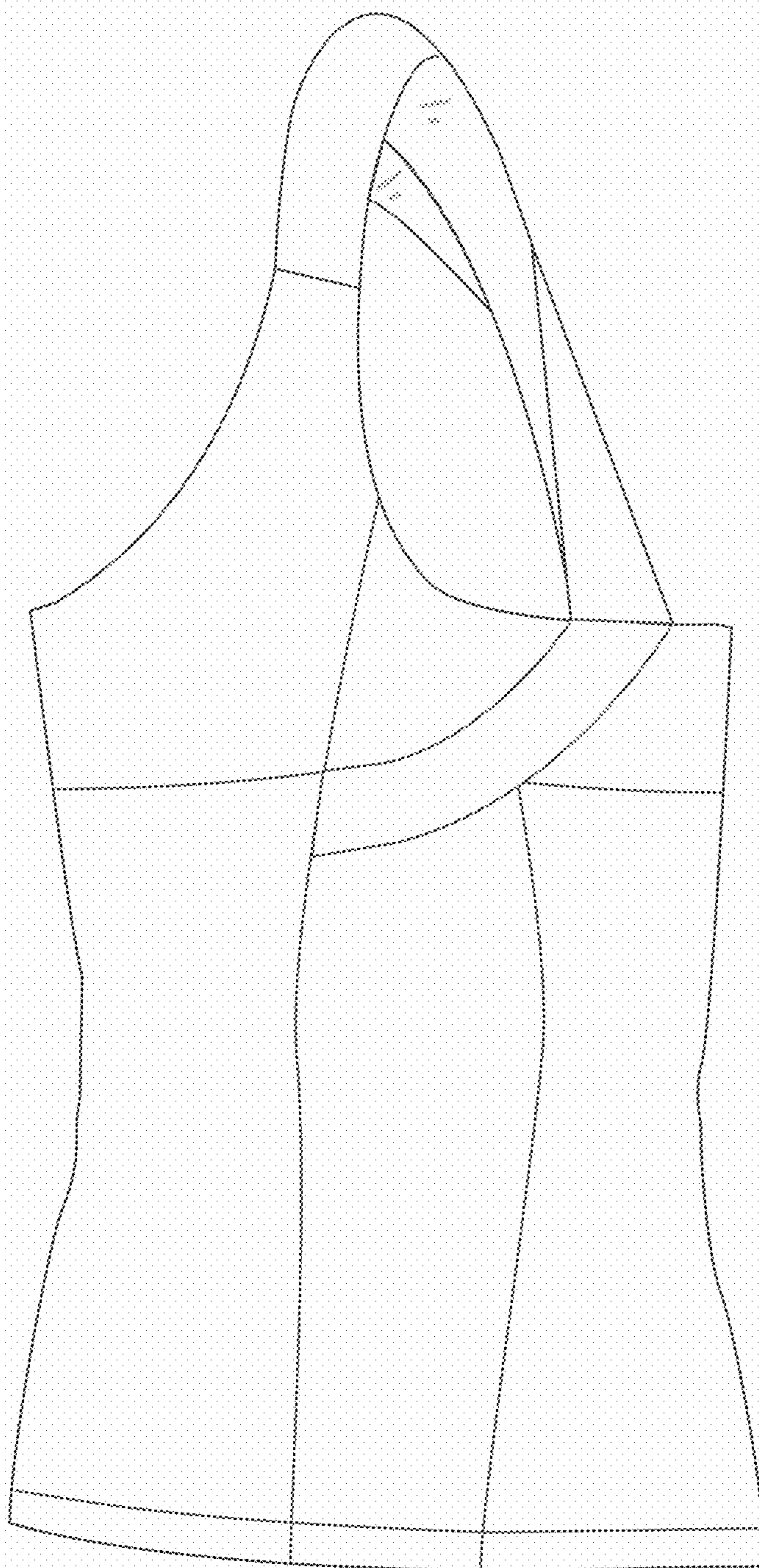
**FIG. 9**



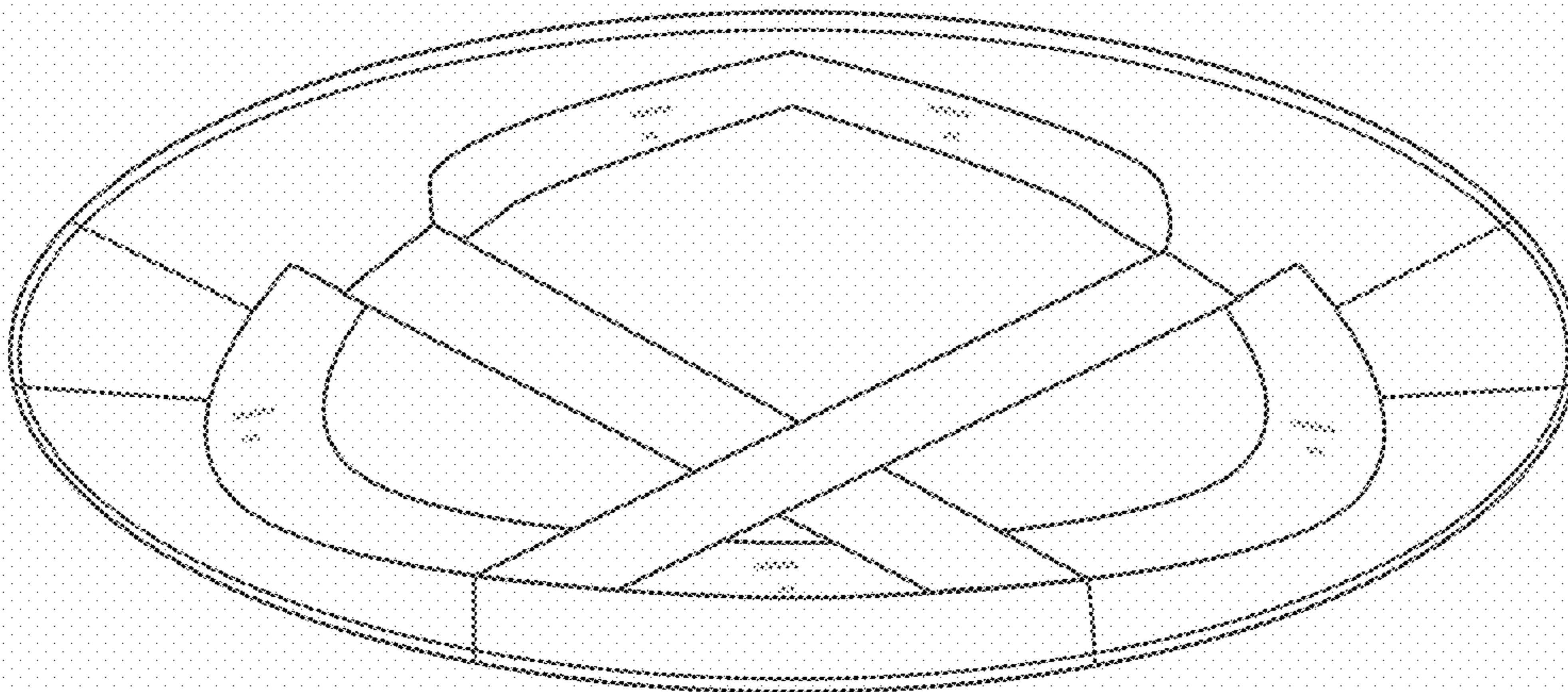
**FIG. 10**



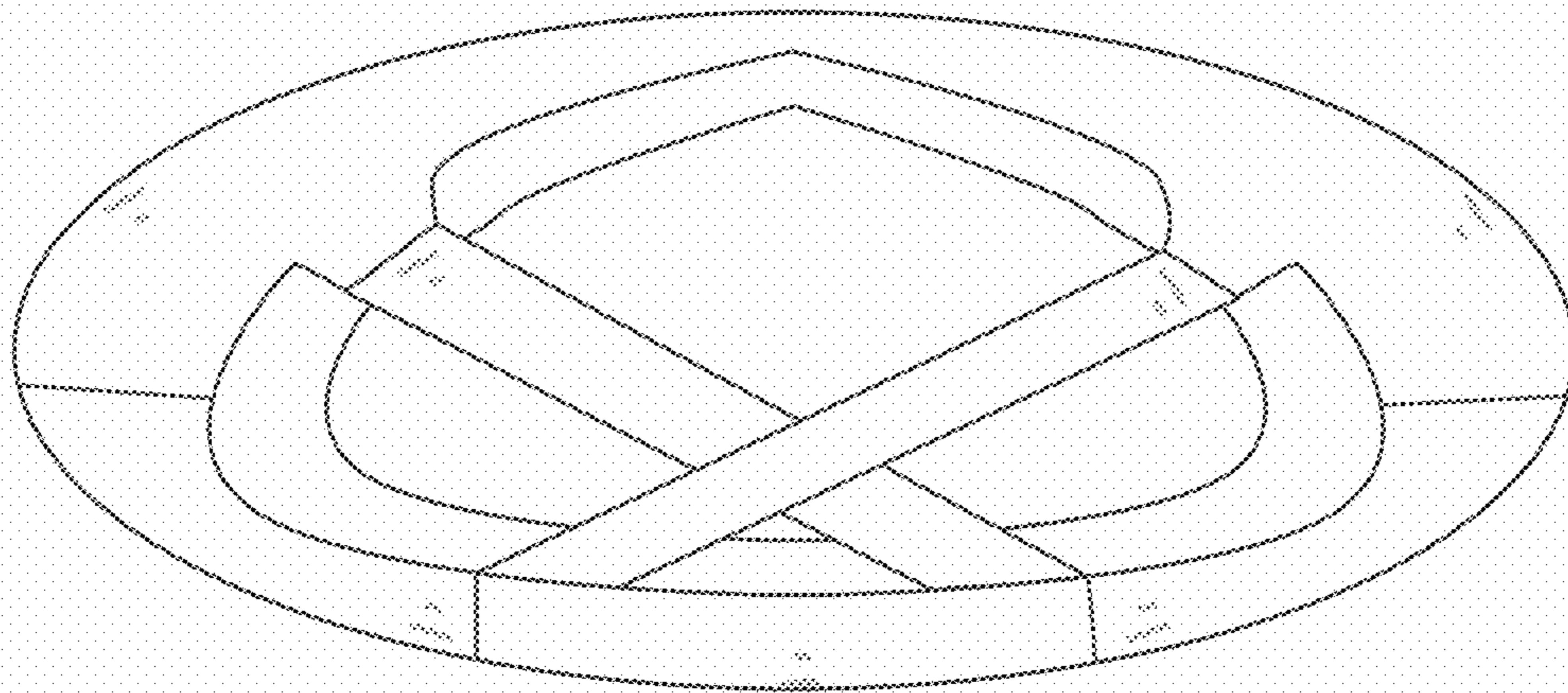
**FIG. 11**



**FIG. 12**



**FIG. 13**



**FIG. 14**

