



US00D683524S

(12) **United States Design Patent**  
**Power**

(10) **Patent No.:** **US D683,524 S**

(45) **Date of Patent:** **\*\* Jun. 4, 2013**

(54) **COMBINATION JACKET AND BAG**

(76) Inventor: **John Charles Power**, Stara Zagora (BG)

(\*\*) Term: **14 Years**

(21) Appl. No.: **29/415,769**

(22) Filed: **Mar. 14, 2012**

(30) **Foreign Application Priority Data**

Sep. 15, 2011 (EM) ..... 001918236-0001

(51) **LOC (9) Cl.** ..... **02-02**

(52) **U.S. Cl.**  
USPC ..... **D2/830**

(58) **Field of Classification Search**  
USPC ..... D2/720, 749-751, 828, 838, 839,  
D2/830; 2/85, 93, 96, 108  
See application file for complete search history.

(56) **References Cited**

**U.S. PATENT DOCUMENTS**

3,077,605	A *	2/1963	Salvatore	.....	2/97
3,530,851	A *	9/1970	Geschickter	.....	600/390
4,055,853	A *	11/1977	Argento et al.	.....	2/93
4,103,377	A *	8/1978	Mayer et al.	.....	2/69.5
4,596,053	A *	6/1986	Cohen et al.	.....	361/220
D384,189	S *	9/1997	Tobias	.....	D2/828
D398,738	S *	9/1998	De La Rosa	.....	D2/829
6,061,831	A *	5/2000	Rudolph et al.	.....	2/69.5
D463,093	S *	9/2002	Murray	.....	D2/720

D600,888	S *	9/2009	Sky	.....	D2/839
D613,035	S *	4/2010	Lunt et al.	.....	D2/720
D647,688	S *	11/2011	Hilgart	.....	D2/720

\* cited by examiner

*Primary Examiner* — Rashida Johnson

(74) *Attorney, Agent, or Firm* — Hovey Williams LLP

(57) **CLAIM**

The ornamental design for a combination jacket and bag, as shown and described.

**DESCRIPTION**

FIG. 1 is a plan view showing the front side of my ornamental design for a combination jacket and bag in a jacket configuration with the front panels of the jacket in an opened position;

FIG. 2 is a bottom right perspective view thereof with the front panels of the jacket closed together;

FIG. 3 is a plan view showing the rear side thereof;

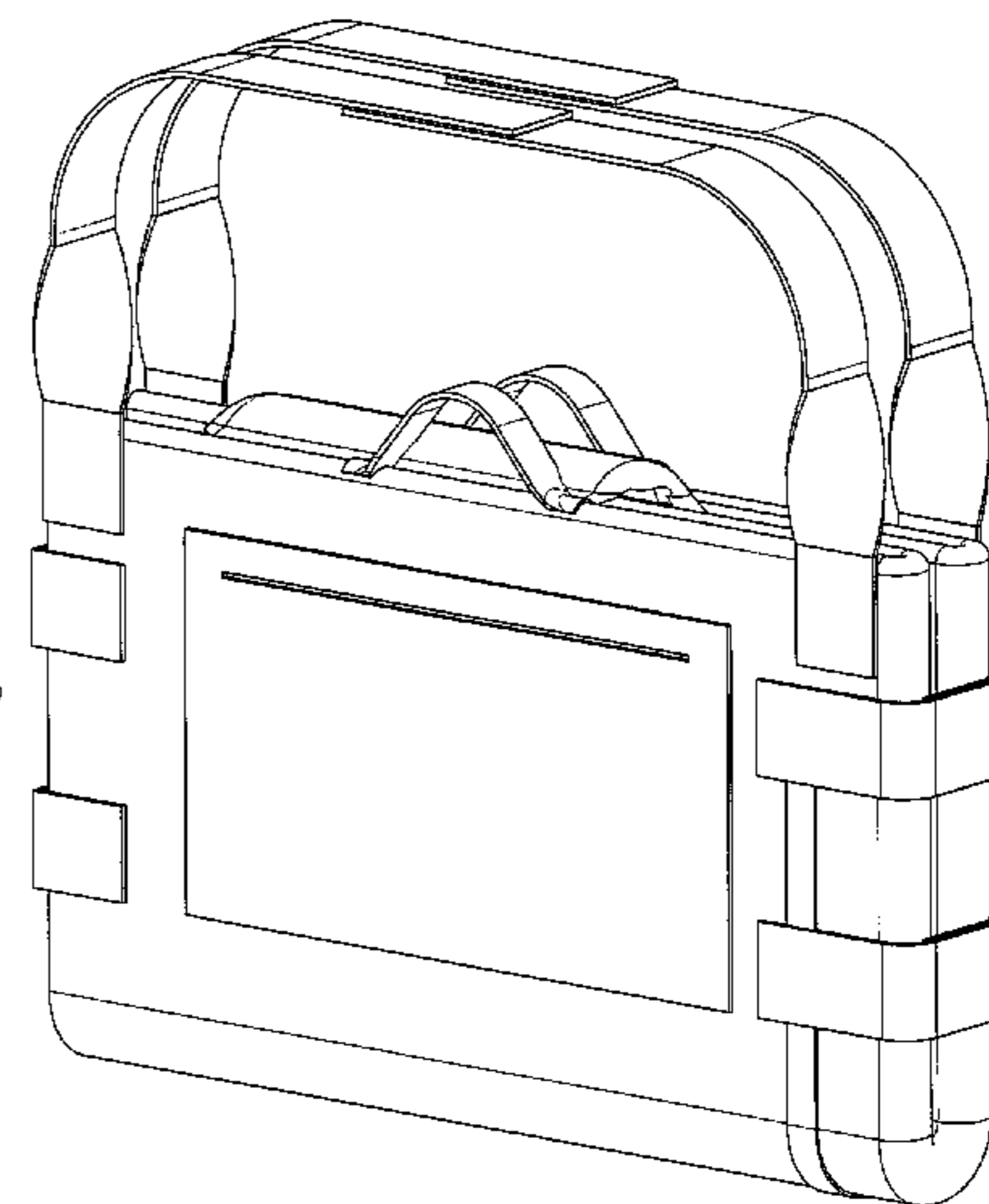
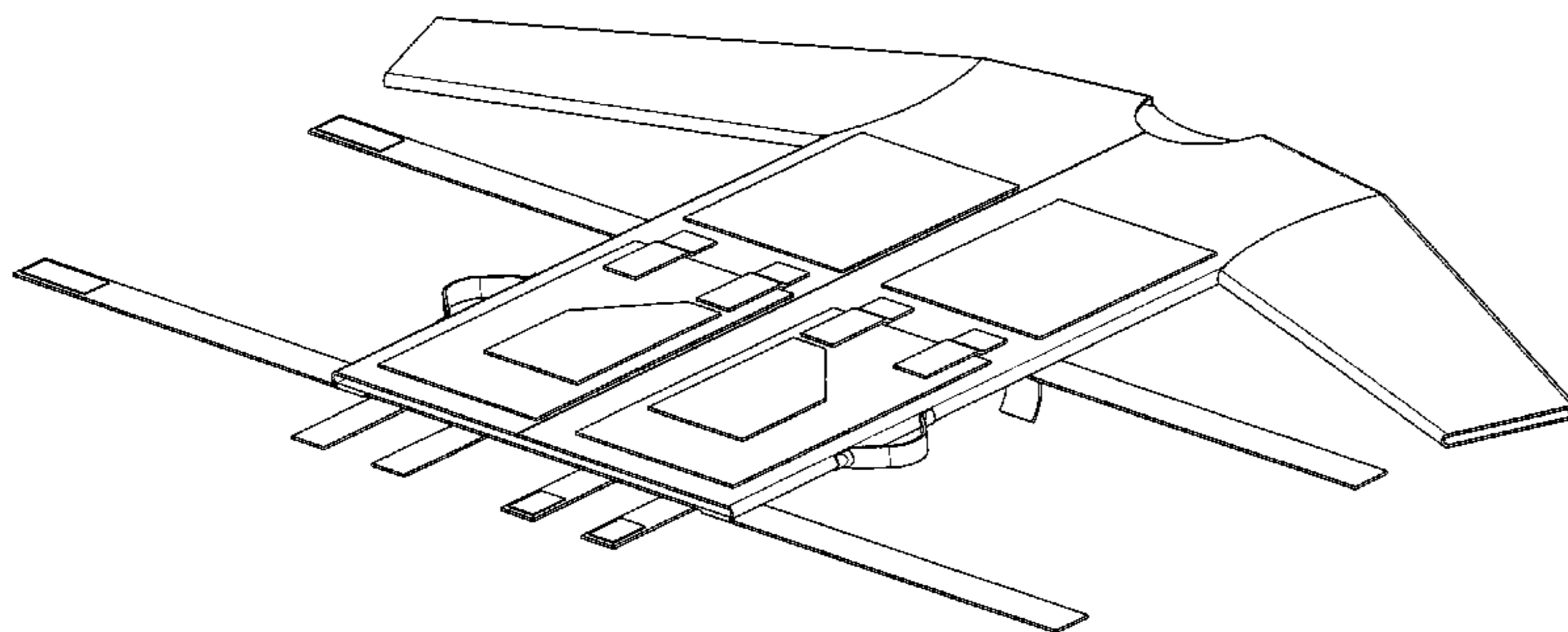
FIG. 4 is a top left perspective view showing the front side thereof with the sleeves folded over and onto the top part of the front side thereof in preparation for folding the jacket into a bag configuration;

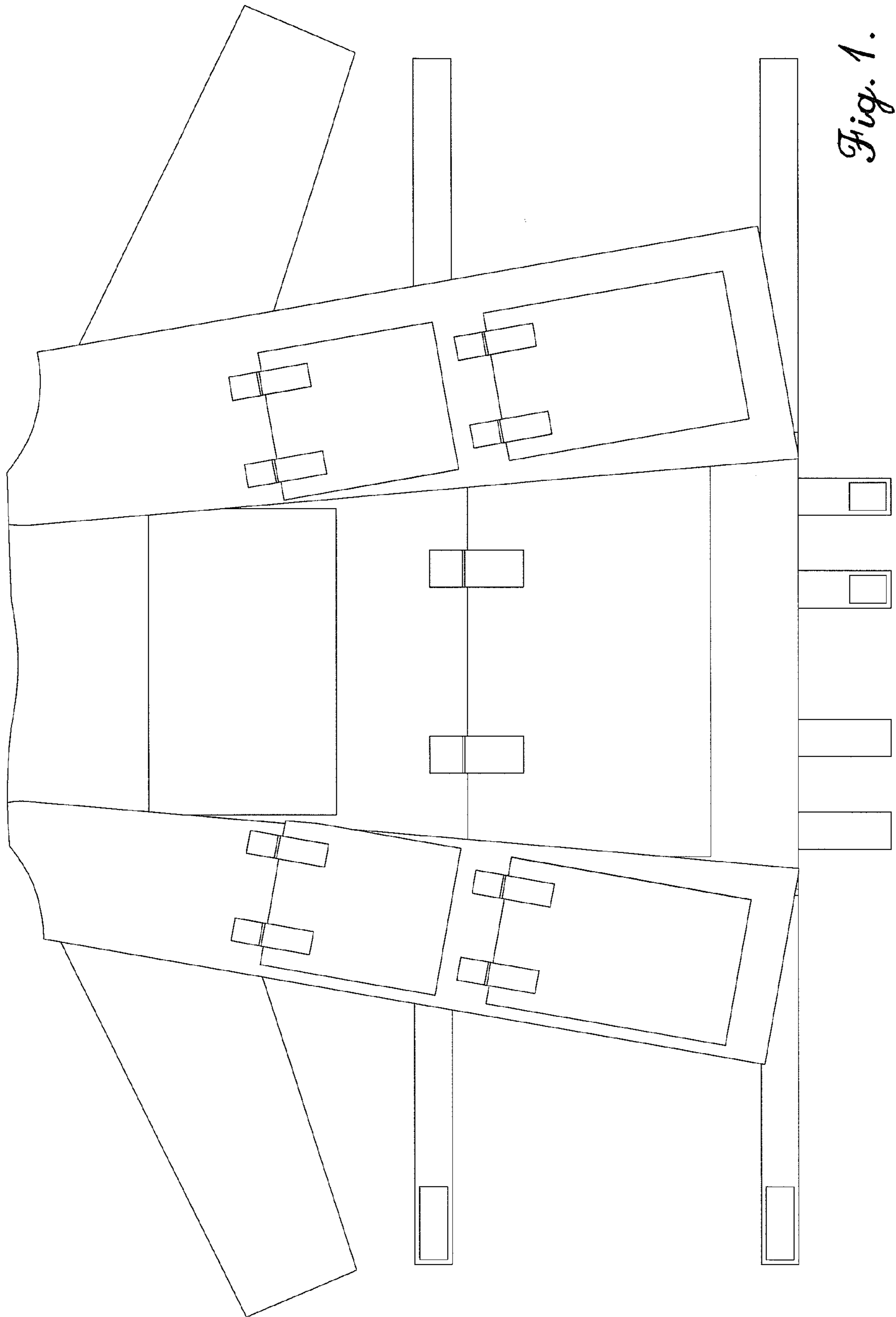
FIG. 5 is a perspective view thereof showing the lower rear side folded over and onto the upper part of the front side of the jacket;

FIG. 6 is a bottom right perspective view of one side of my ornamental design for a combination jacket and bag when folded into a bag configuration; and,

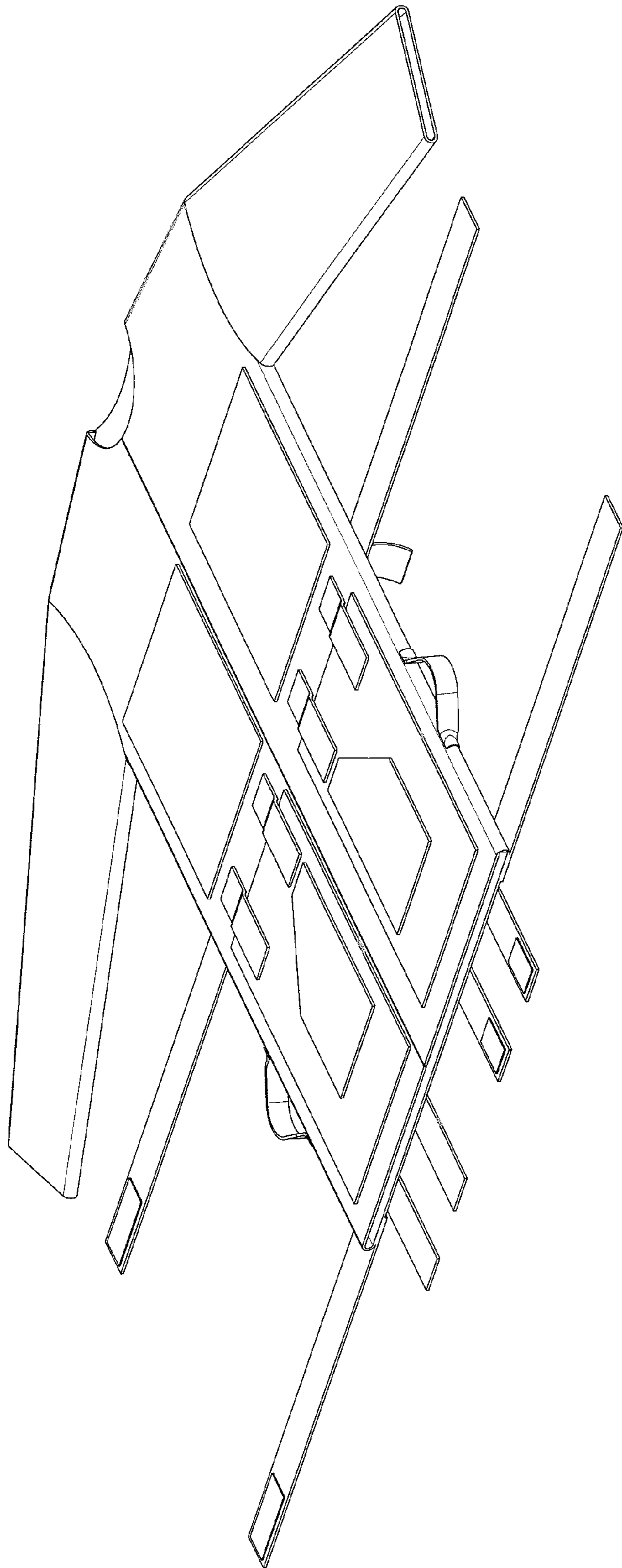
FIG. 7 is a bottom right perspective view of the opposite side of that shown in FIG. 6 of the combination jacket and bag when folded into a bag configuration.

**1 Claim, 7 Drawing Sheets**

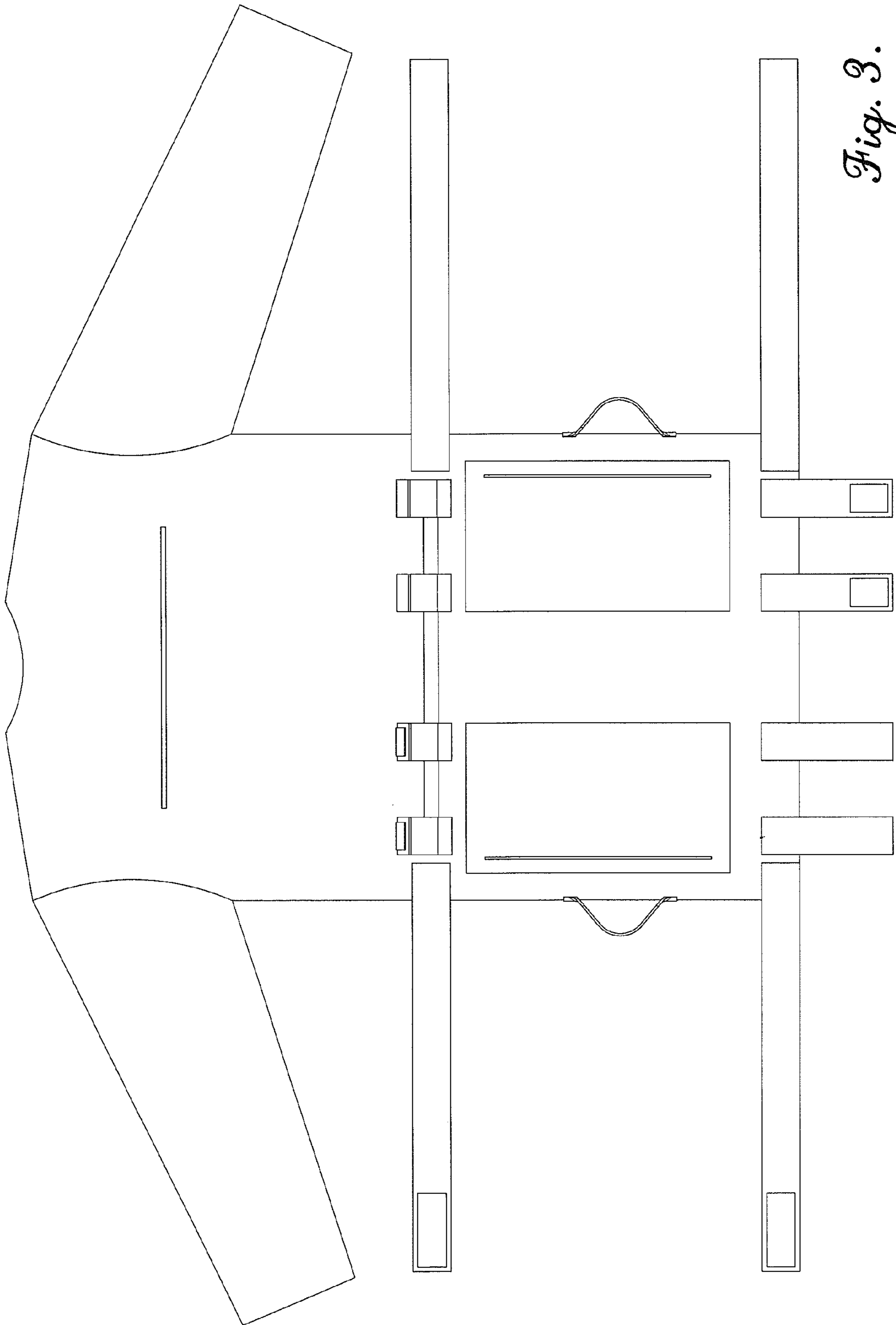




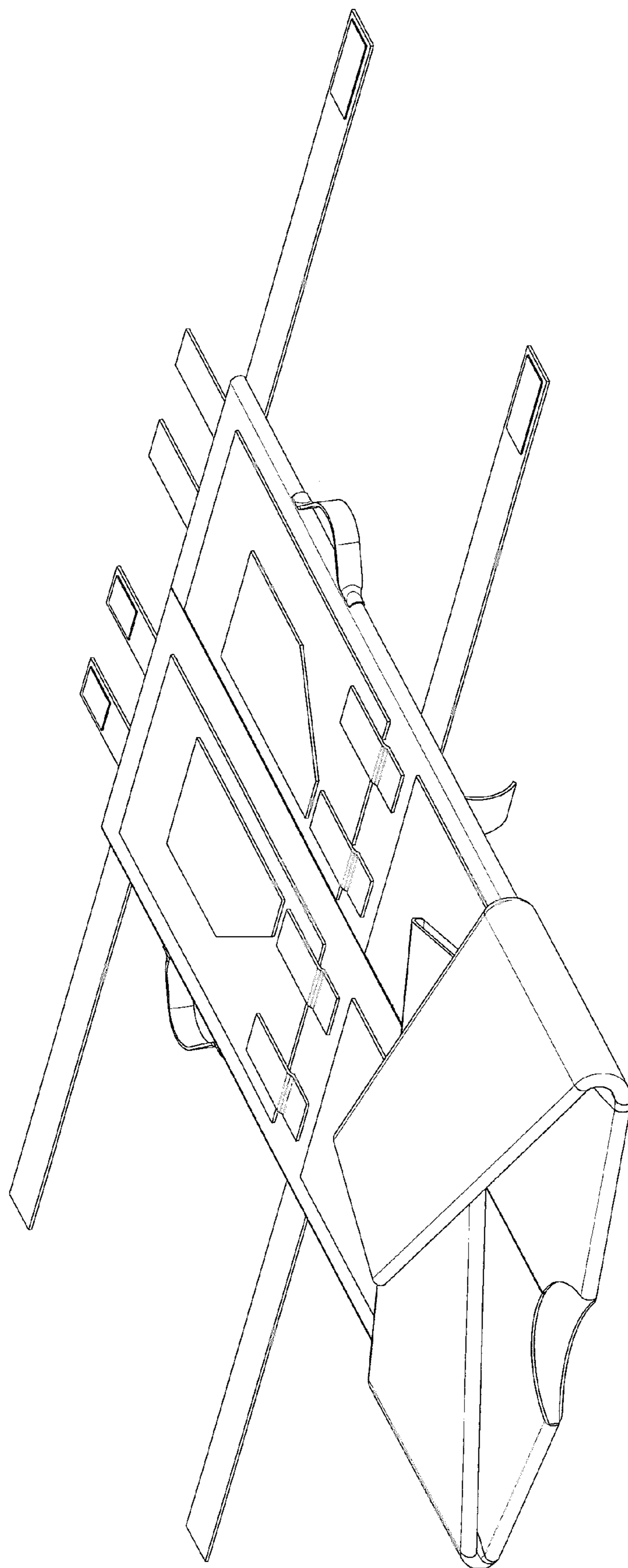
*Fig. 1.*



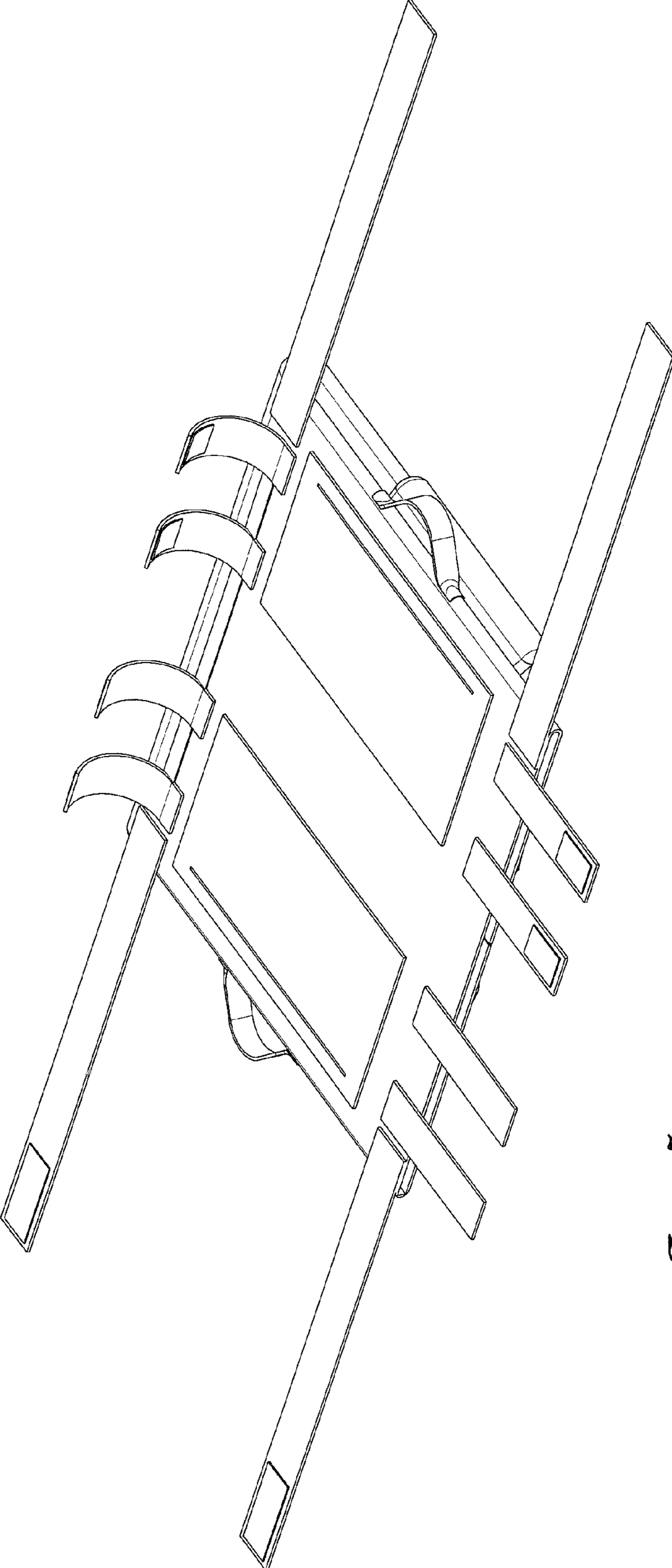
*Fig. 2.*



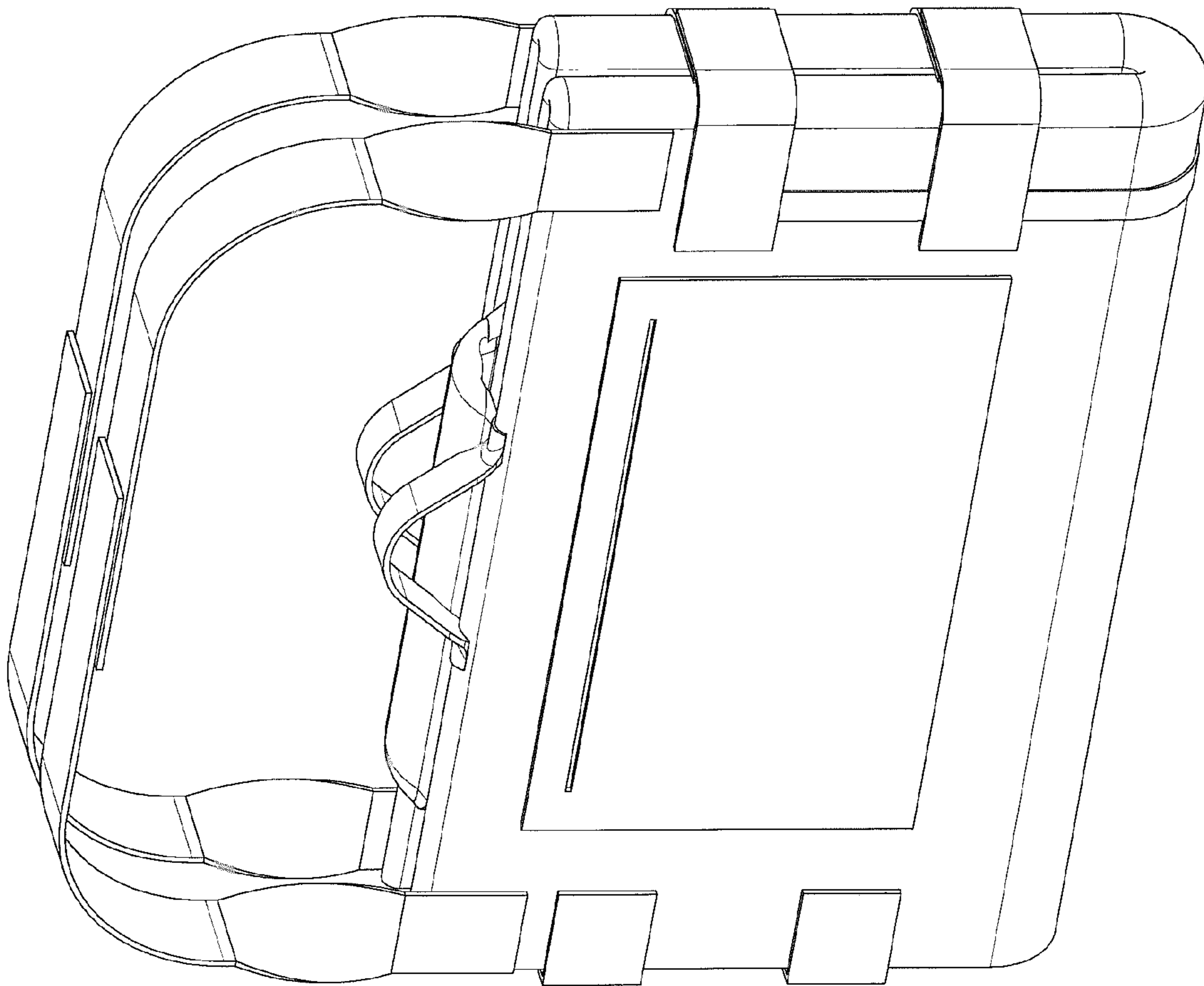
*Fig. 3.*



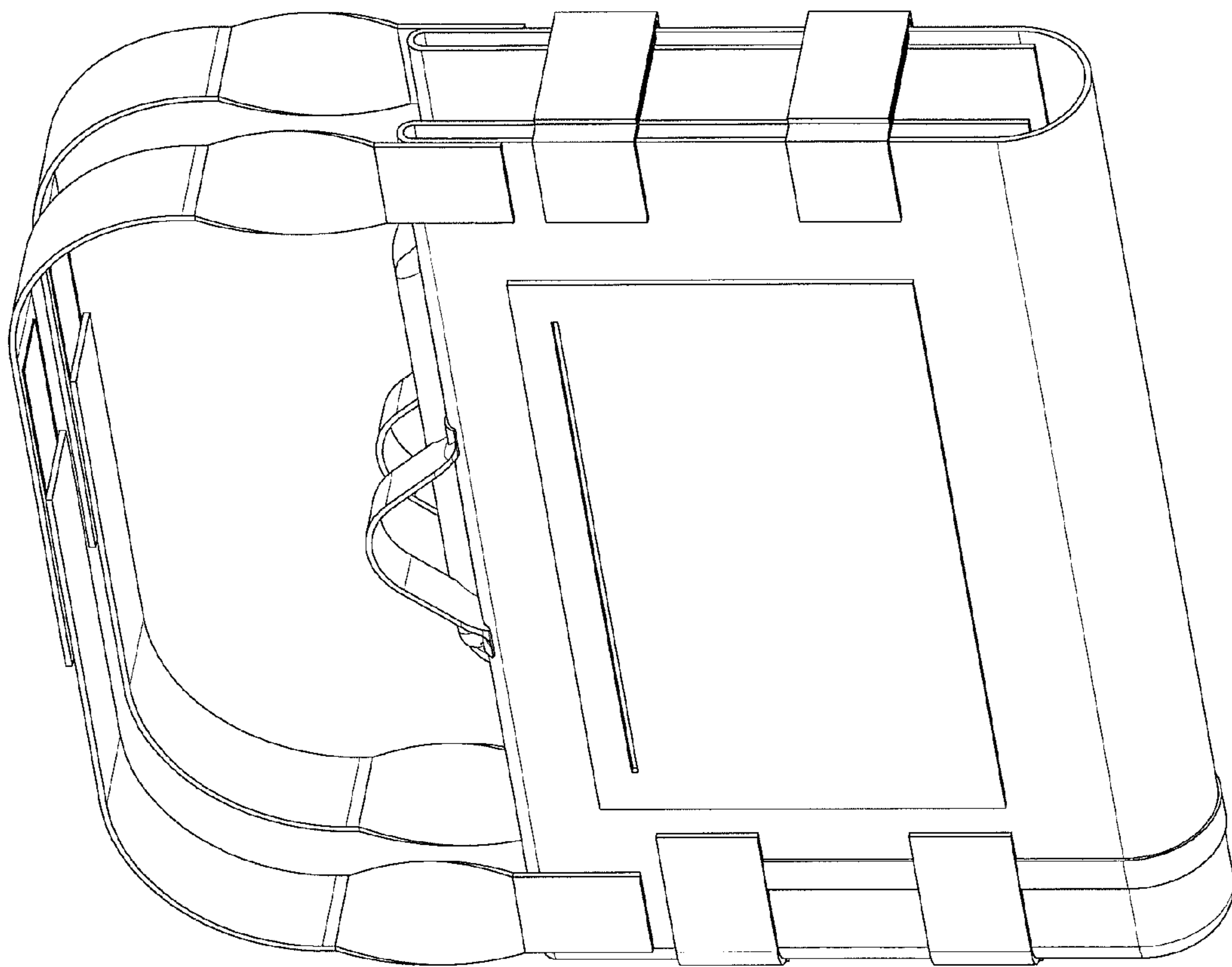
*Fig. 4.*



*Fig. 5.*



*Fig. 6.*



*Fig. 7.*