



US00D683519S

(12) **United States Design Patent**
Denning

(10) **Patent No.:** **US D683,519 S**
(45) **Date of Patent:** **** Jun. 4, 2013**

- (54) **WOMEN'S UNDERWEAR**
- (75) Inventor: **Rochelle Denning**, Springfield, NJ (US)
- (73) Assignee: **EasyUndies, LLC**, Springfield, NJ (US)
- (**) Term: **14 Years**
- (21) Appl. No.: **29/411,117**
- (22) Filed: **Jan. 17, 2012**
- (51) **LOC (9) Cl.** **02-01**
- (52) **U.S. Cl.**
USPC **D2/712**
- (58) **Field of Classification Search**
USPC D2/712, 713, 714, 715, 716, 731,
D2/736, 737, 739, 742, 860, 863, 864; 2/46,
2/53, 54, 67, 73, 78.1, 78.2, 78.3, 227, 228,
2/235, 236, 237, 238, 272, 400, 401, 402,
2/403, 404, 405, 406, 407, 408; 450/100,
450/101, 102, 103, 104; 602/67; 604/345,
604/359, 387

See application file for complete search history.

(56) **References Cited**

U.S. PATENT DOCUMENTS

436,607	A *	9/1890	Litle	602/68
1,201,307	A *	10/1916	Joseph	2/402
2,012,879	A *	8/1935	Kneibler	2/403
2,027,987	A	1/1936	Reis		
2,102,323	A *	12/1937	Kneibler	602/67
2,427,906	A *	9/1947	Golightly et al.	2/402
2,453,051	A	11/1948	Umberto		
2,591,423	A *	4/1952	Grolitzer	450/104
2,617,112	A *	11/1952	Neilson	2/407
2,638,900	A *	5/1953	Gruenberg et al.	2/408
2,706,389	A *	4/1955	Garrou et al.	66/177
2,763,008	A	9/1956	Rosenthal		
2,834,020	A *	5/1958	Warten	2/406
2,898,754	A *	8/1959	Harms	66/177
2,921,583	A *	1/1960	Lerner	2/402
3,068,488	A *	12/1962	Rodriguez	2/212
3,237,625	A *	3/1966	Johnson	604/396
3,871,030	A *	3/1975	Green	2/238

3,985,004	A	10/1976	Johnson et al.		
4,145,763	A *	3/1979	Abrams et al.	2/403
4,205,679	A *	6/1980	Repke et al.	604/366
4,300,562	A *	11/1981	Pieniak	604/385.26
4,355,425	A *	10/1982	Jones et al.	2/402
4,675,918	A *	6/1987	O'Brien	2/402
4,799,441	A *	1/1989	Boser	112/475.09
5,014,364	A *	5/1991	Orr	2/408
D330,590	S *	10/1992	Pressley et al.	D24/126
D339,445	S	9/1993	Russano		
5,987,650	A *	11/1999	Carroll	2/244
6,539,555	B2 *	4/2003	Suga et al.	2/406
D603,582	S	11/2009	Fennell		
2004/0034902	A1 *	2/2004	Yturria	2/400
2006/0021115	A1	2/2006	Stanley		

* cited by examiner

Primary Examiner — Karen E Eldridge Powers
(74) *Attorney, Agent, or Firm* — Hoxie & Associates LLC

(57) **CLAIM**

The ornamental design for a women's underwear, as shown and described.

DESCRIPTION

FIG. 1 is a front elevation view of the women's underwear of the present design, shown in a state whereby the fastener strips are engaged;

FIG. 2 is an interior plan view of the women's underwear of FIG. 1 laid flat.

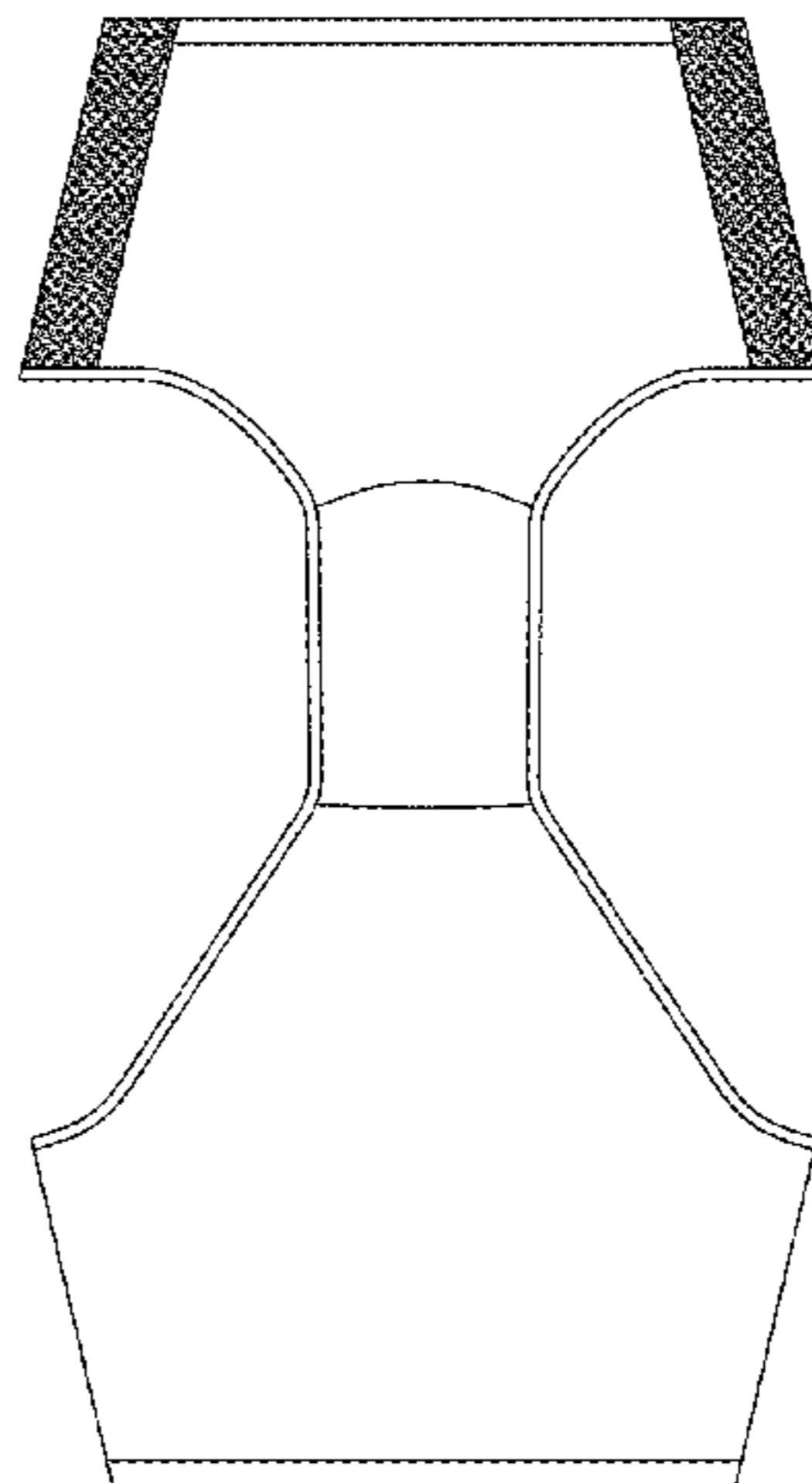
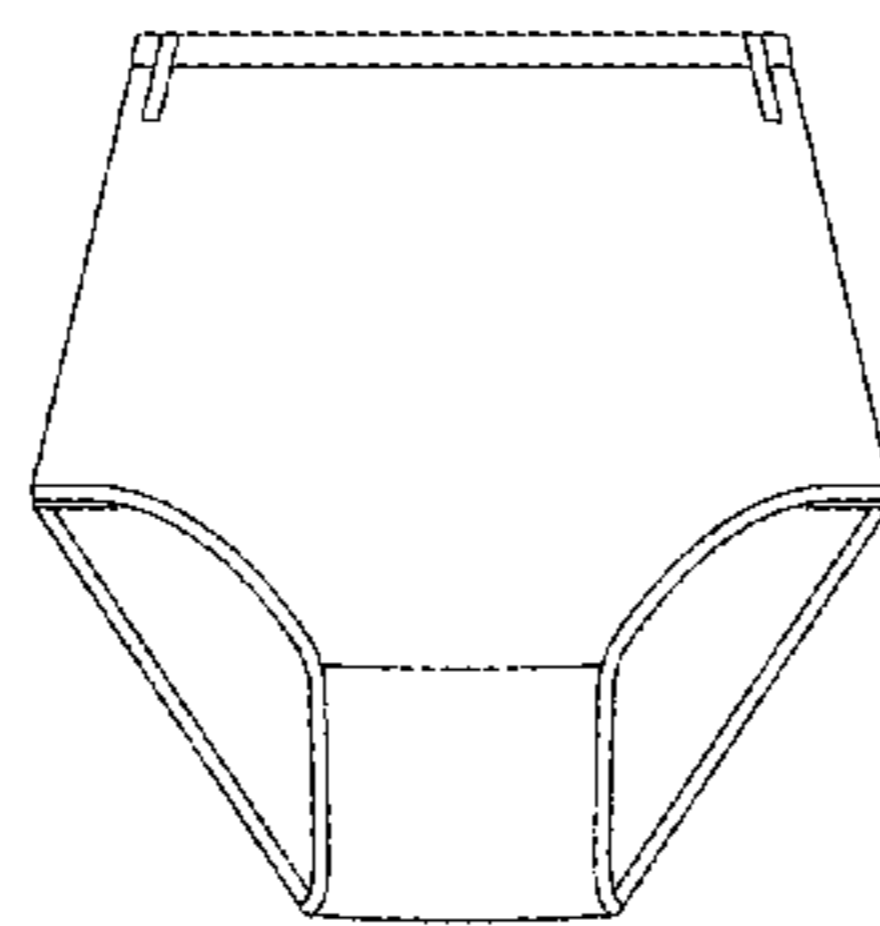
FIG. 3 is an exterior plan view of the women's underwear of FIG. 1 laid flat;

FIG. 4 is a side elevation view of the women's underwear of FIG. 1;

FIG. 5 is an opposite side elevation view of the women's underwear of FIG. 1, shown in a state whereby the fastener strips are not engaged; and,

FIG. 6 is an enlarged detail view of the tab section located on the women's underwear of FIGS. 1-5. The broken lines are boundaries of the detail and form no part of the claimed design.

1 Claim, 5 Drawing Sheets



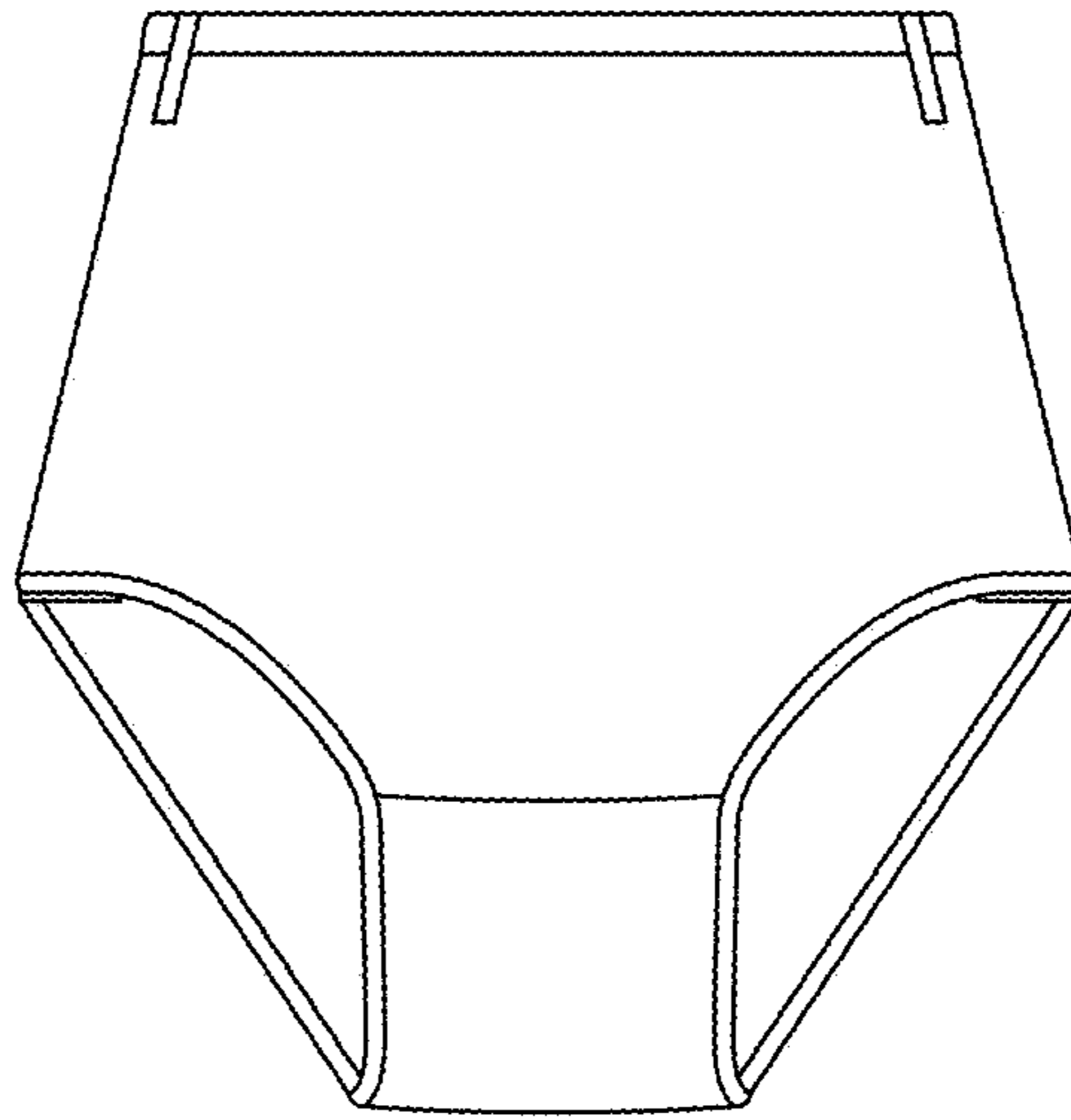


FIG. 1

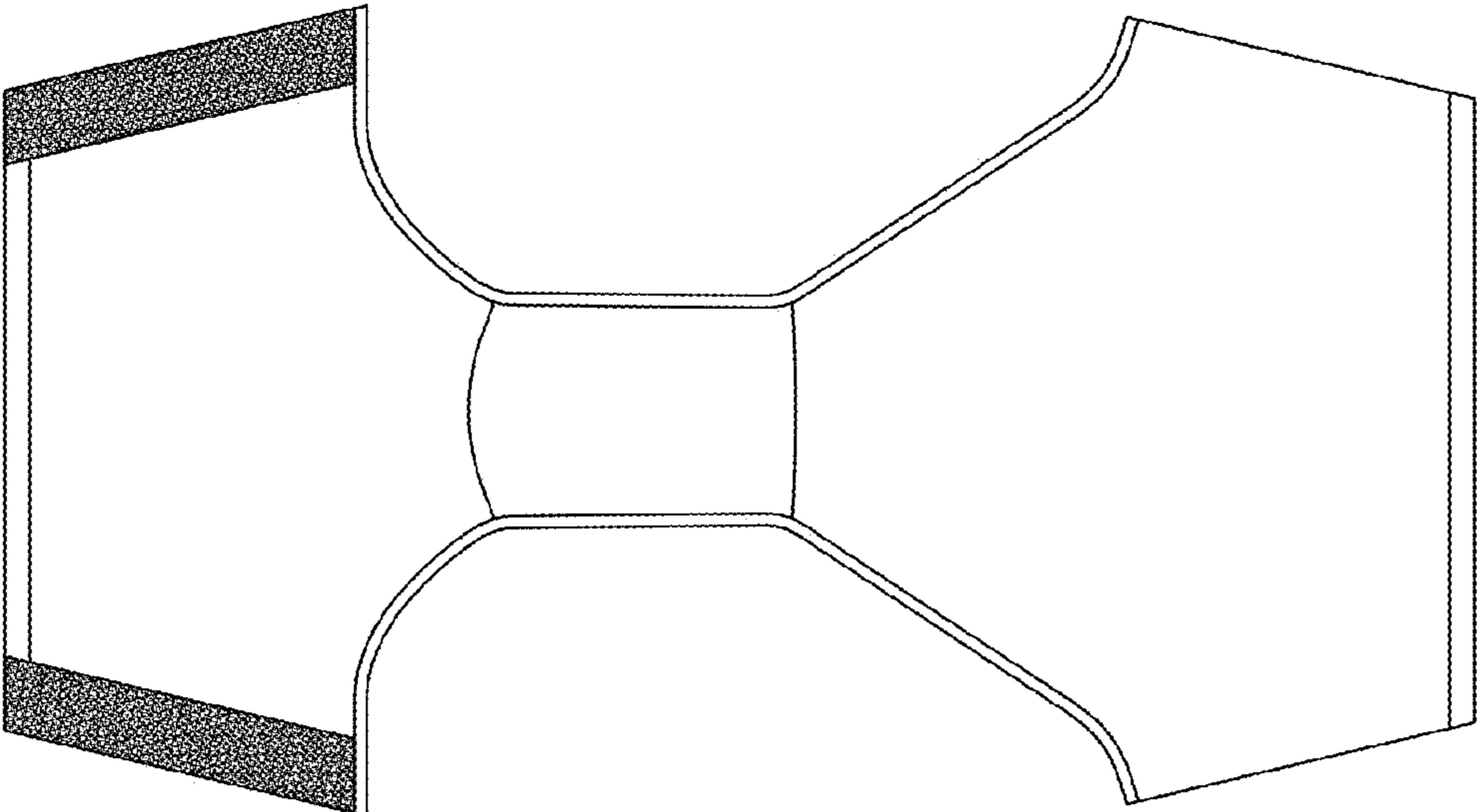


FIG. 2

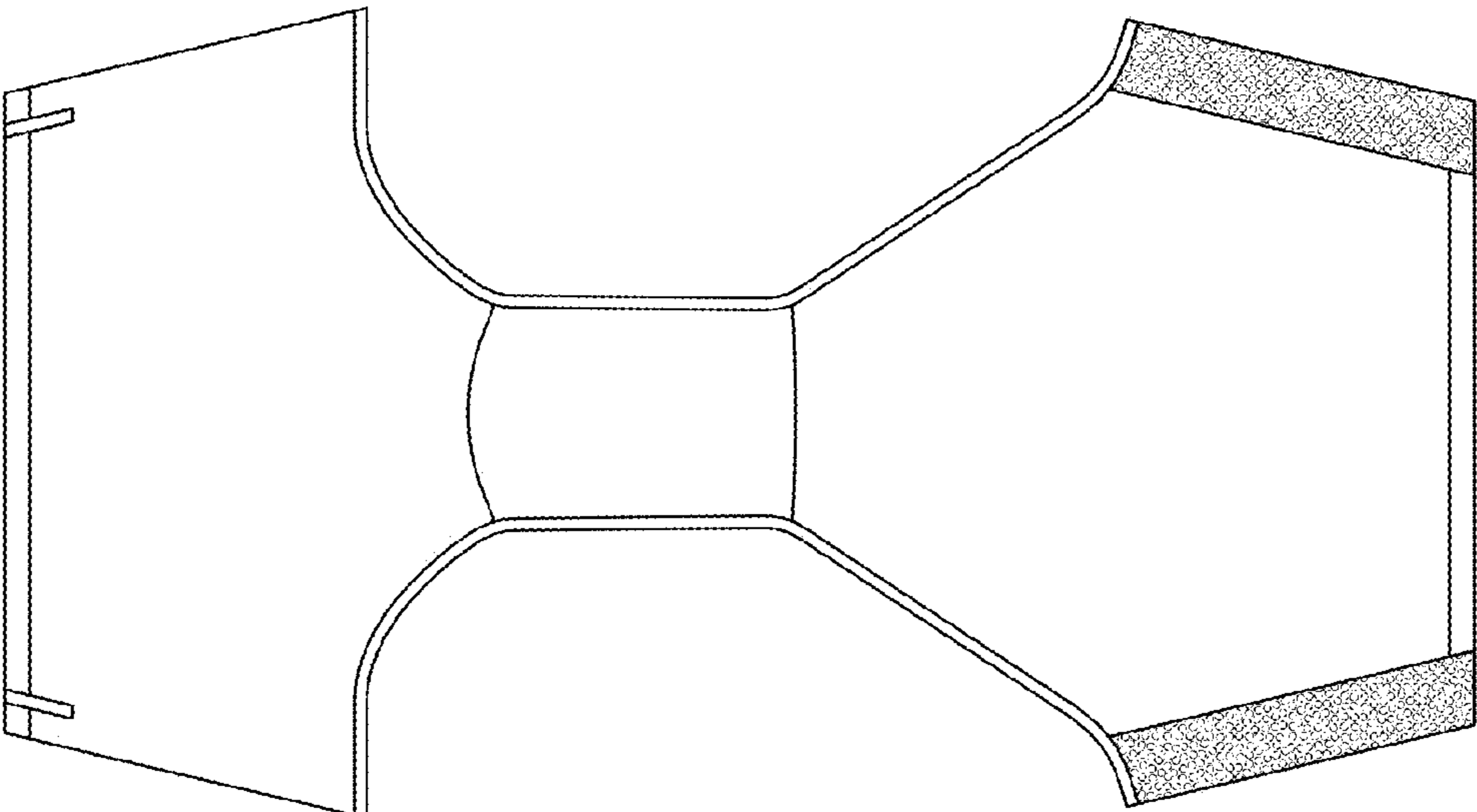


FIG. 3

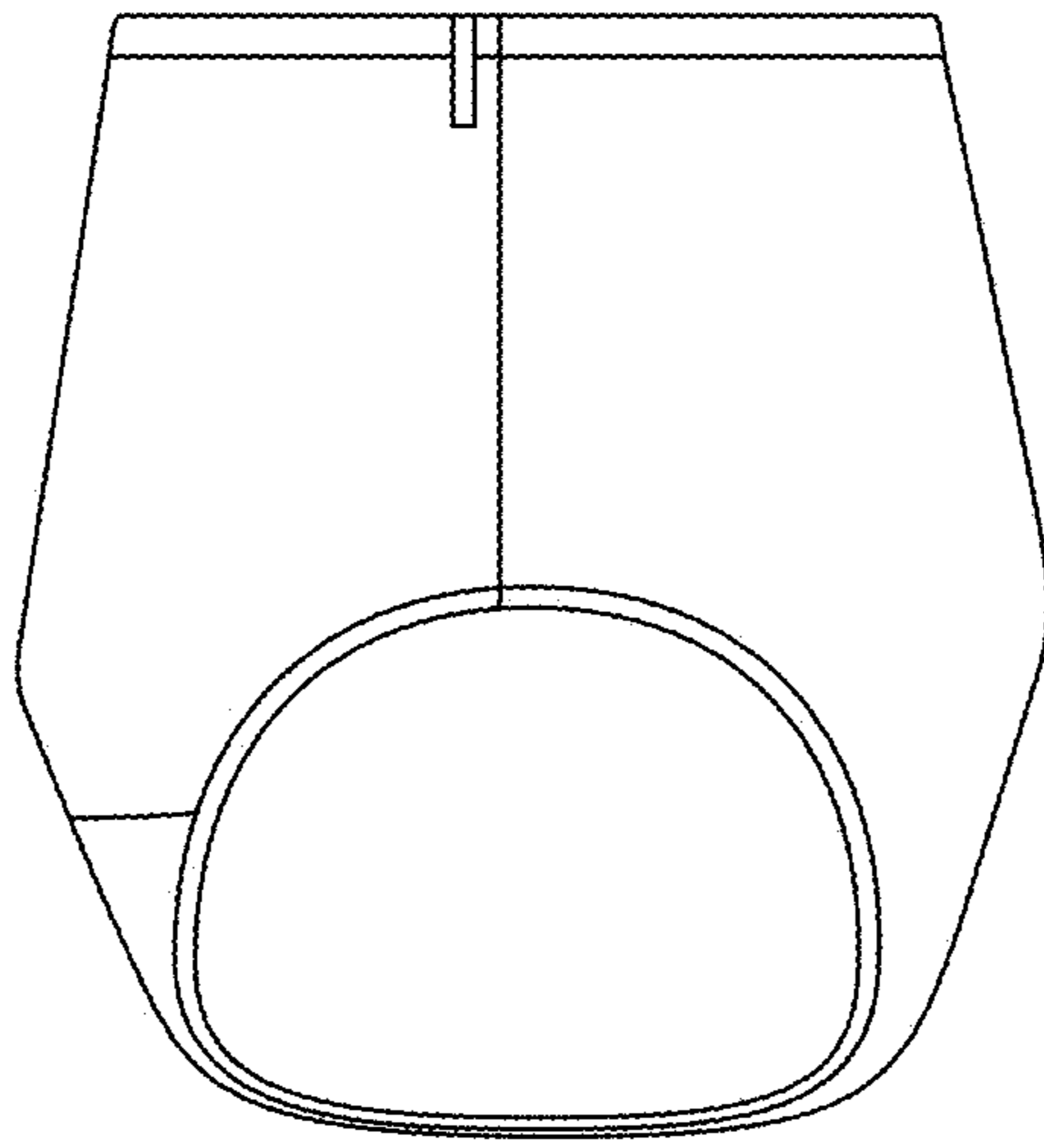


FIG. 4

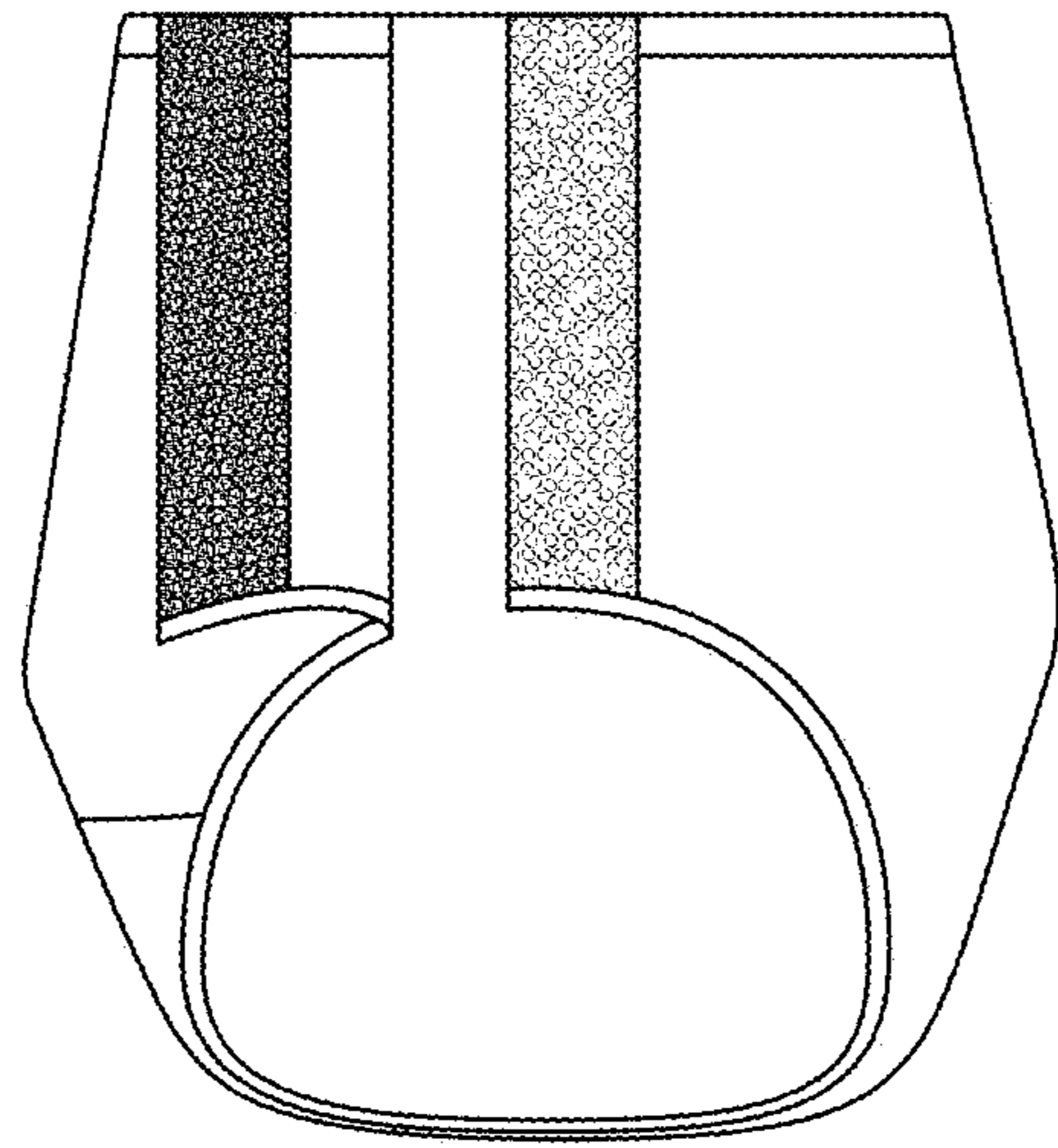


FIG. 5

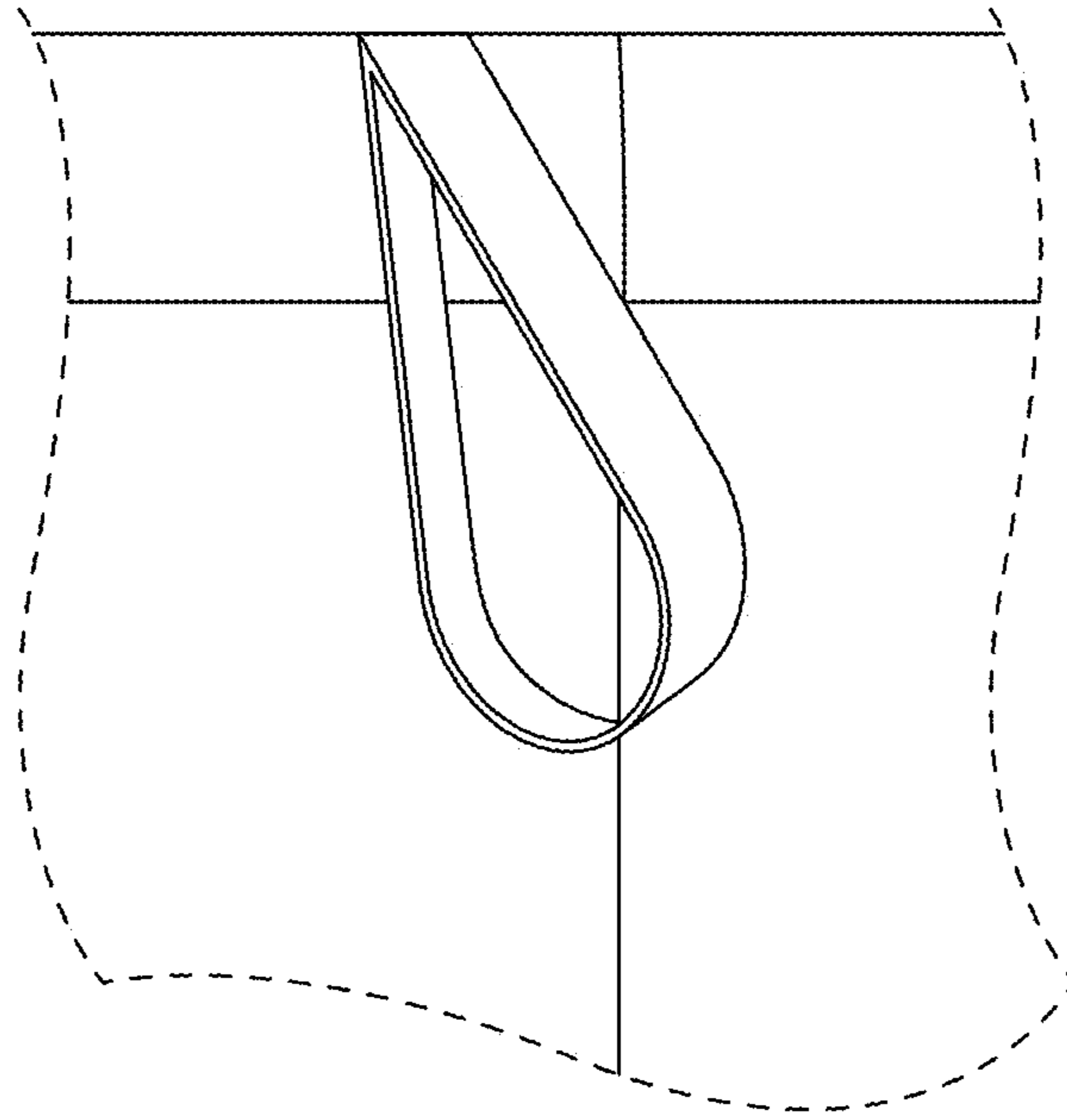


FIG. 6