



US00D683517S

(12) **United States Design Patent**  
**Tansey et al.**

(10) **Patent No.:** **US D683,517 S**  
(45) **Date of Patent:** **\*\* Jun. 4, 2013**

(54) **ANIMAL FOOD PRODUCT**

(76) Inventors: **Anthony Joseph Tansey**, Blessington  
(IE); **Paul Morrow Dempsey**, Dalkey  
(IE)

(\*\*) **Term:** **14 Years**

(21) **Appl. No.:** **29/402,152**

(22) **Filed:** **Sep. 21, 2011**

(51) **LOC (9) Cl.** ..... **01-01**

(52) **U.S. Cl.**  
USPC ..... **D1/125**

(58) **Field of Classification Search**  
USPC ..... D1/100-130, 199; 426/104, 115,  
426/144, 249, 274, 517, 518, 805; D21/386;  
D25/119, 121; D30/160; D24/102, 103  
See application file for complete search history.

(56) **References Cited**

**U.S. PATENT DOCUMENTS**

414,090	A	*	10/1889	Taylor	.....	72/468
D134,414	S	*	11/1942	Orme	.....	D1/120
3,344,457	A	*	10/1967	Grobert	.....	15/207.2
D370,138	S	*	5/1996	Rosebrock	.....	D6/451
5,993,784	A	*	11/1999	Hill	.....	424/49

6,138,314	A	*	10/2000	Schiff et al.	.....	15/167.1
D492,836	S	*	7/2004	Lawrenson	.....	D1/199
D517,774	S	*	3/2006	Jia et al.	.....	D1/121
D538,507	S	*	3/2007	Tansey et al.	.....	D1/125
D575,612	S	*	8/2008	Clampitt et al.	.....	D8/83
D661,868	S	*	6/2012	Takeda et al.	.....	D1/199
D662,940	S	*	7/2012	Magnusson	.....	D14/451
2008/0003270	A1	*	1/2008	Garcia Martinez	.....	424/442

\* cited by examiner

*Primary Examiner* — Cathron Brooks

*Assistant Examiner* — Katie Mroczka

(74) *Attorney, Agent, or Firm* — George P. Kobler; Lanier Ford Shaver & Payne P.C.

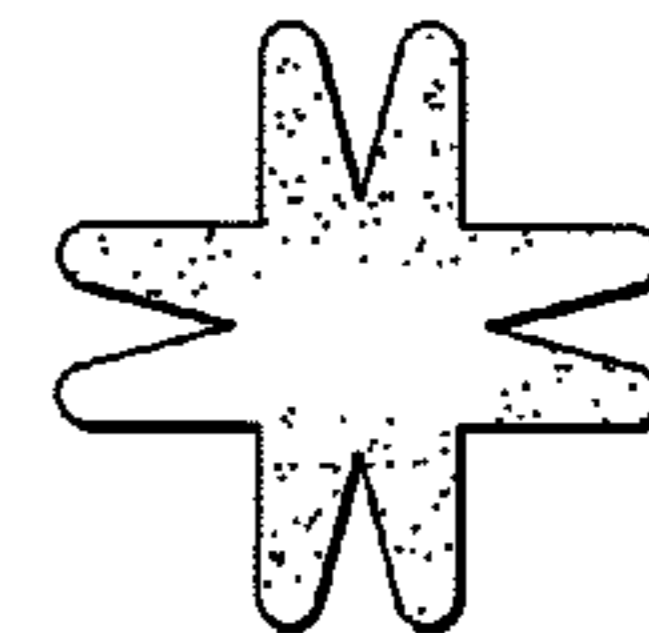
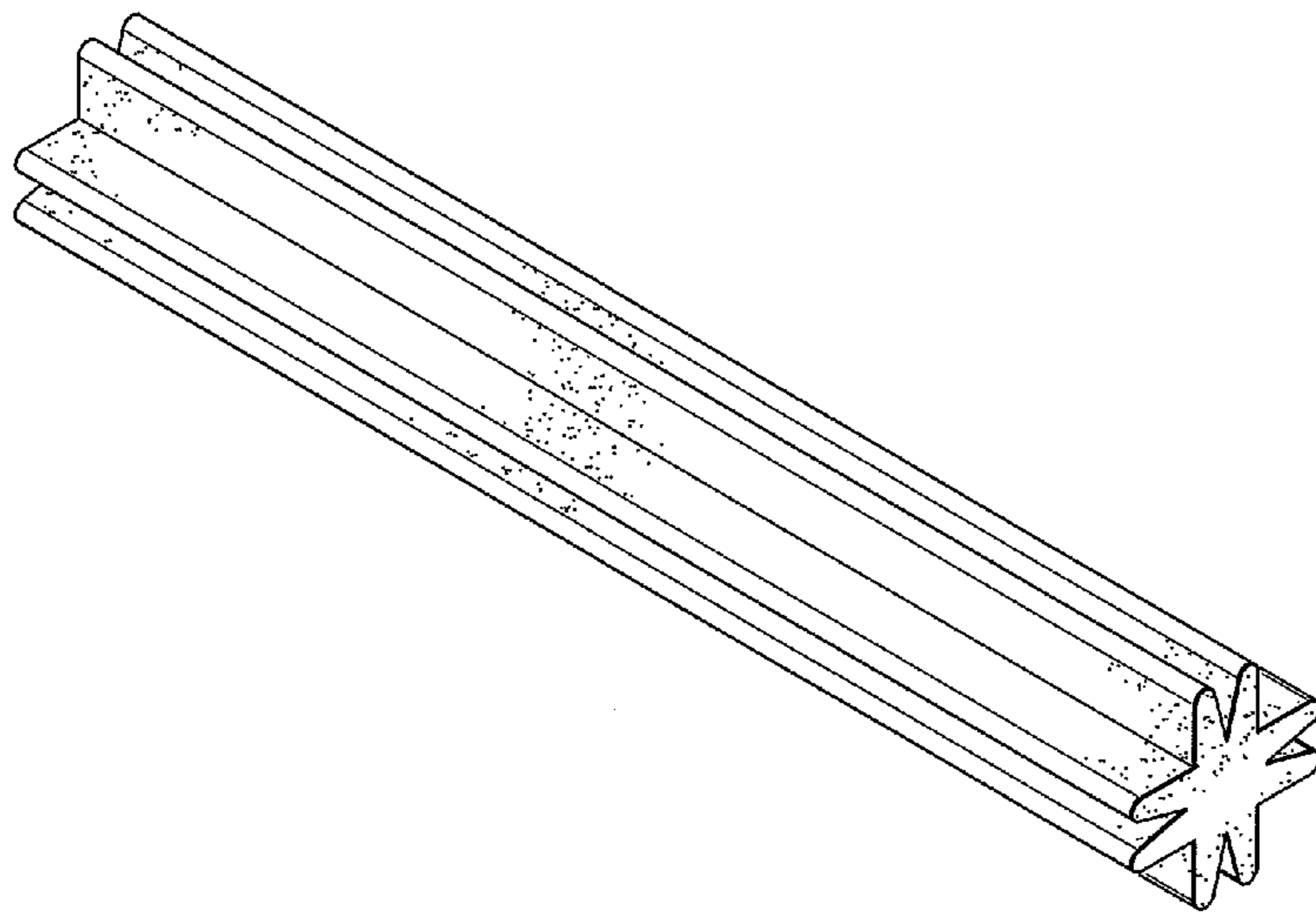
(57) **CLAIM**

The ornamental design for an animal food product, as shown and described.

**DESCRIPTION**

FIG. 1 is a perspective view of the animal food product; FIG. 2 is an elevational view of one side of the animal food product, the views of the other sides being identical; and, FIG. 3 is a view from one end of the animal food product, the opposing end being identical.

**1 Claim, 1 Drawing Sheet**



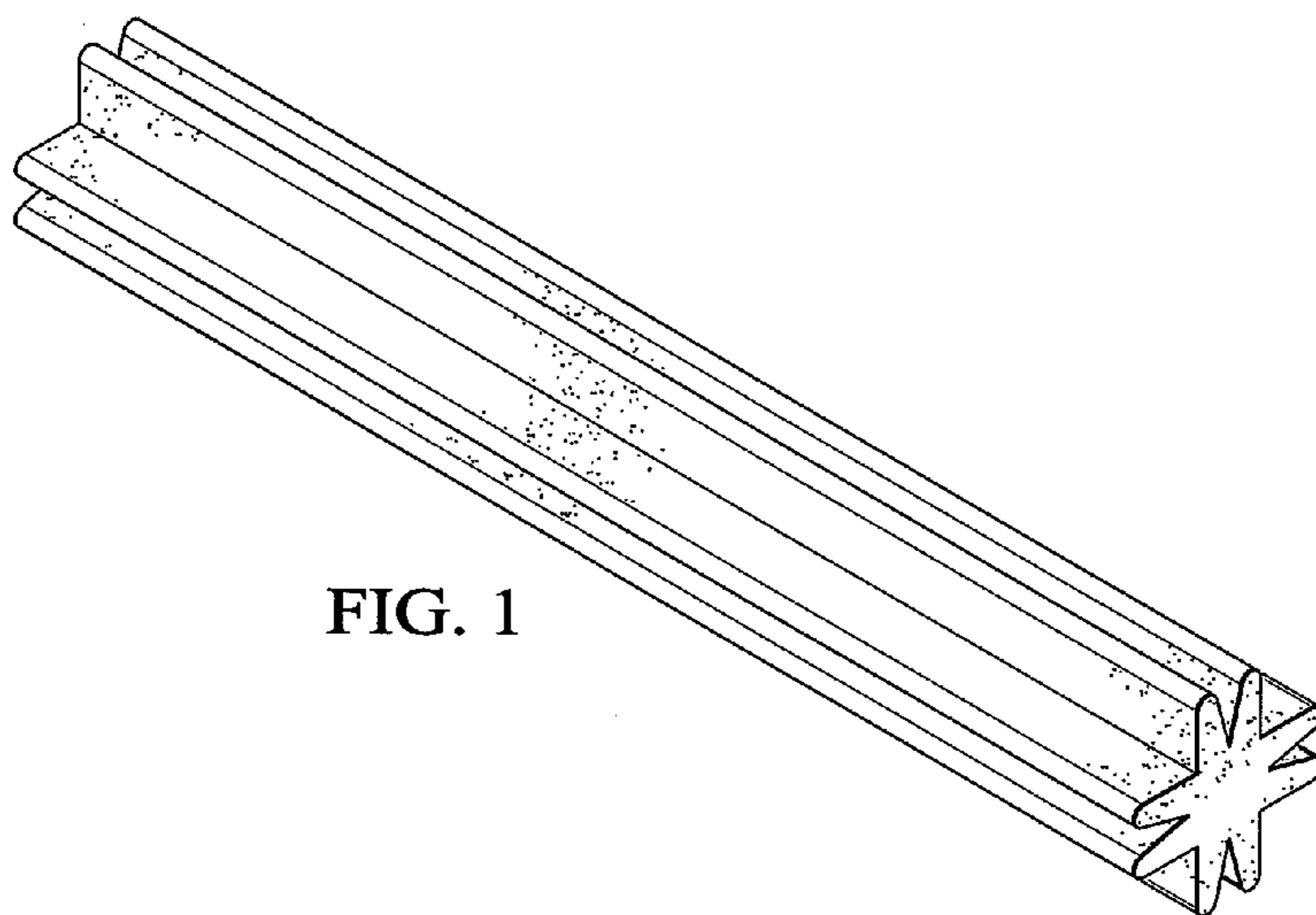


FIG. 1

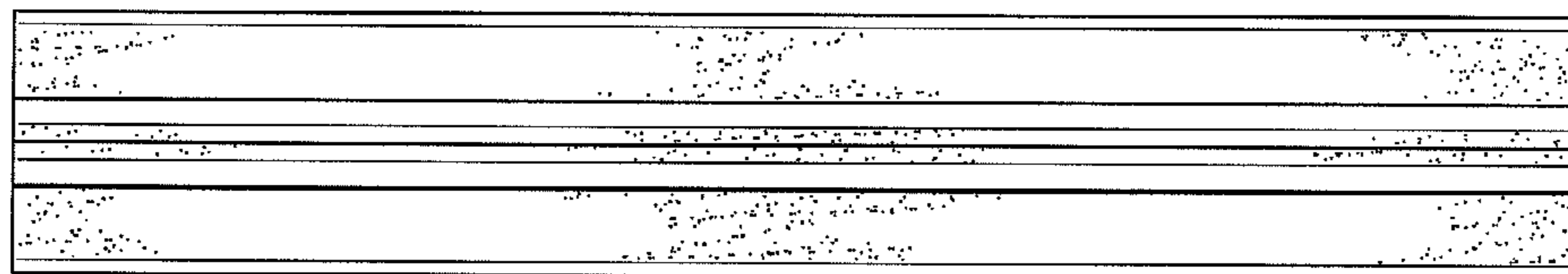


FIG. 2

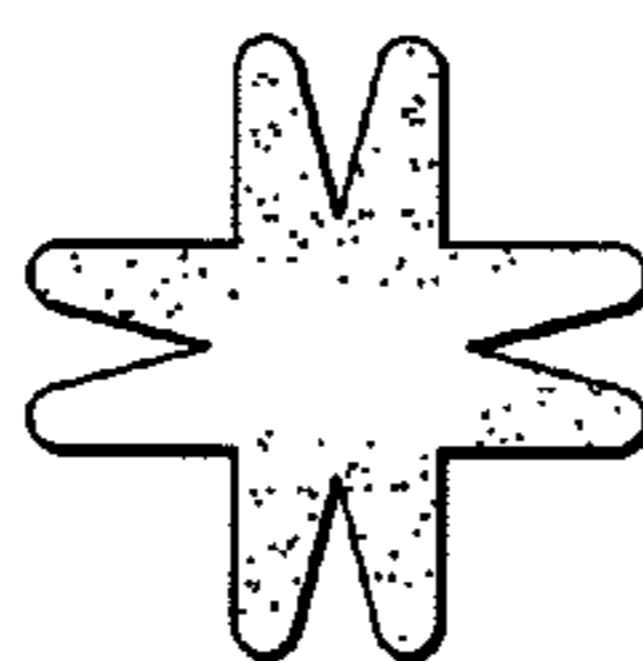


FIG. 3