



US00D683515S

(12) **United States Design Patent**  
**Decker**

(10) **Patent No.:** **US D683,515 S**

(45) **Date of Patent:** **\*\* May 28, 2013**

(54) **PORTABLE GANTRY**

**DESCRIPTION**

(76) Inventor: **Steven R. Decker**, Phoenix, AZ (US)

(\*\*) Term: **14 Years**

(21) Appl. No.: **29/406,679**

(22) Filed: **Nov. 17, 2011**

(51) **LOC (9) Cl.** ..... **12-05**

(52) **U.S. Cl.**  
USPC ..... **D34/33**

(58) **Field of Classification Search** ..... D34/33,  
D34/28, 31; 414/785, 11, 917; 212/294, 295,  
212/901; 187/200, 244, 243; 254/2 R, 8 R  
See application file for complete search history.

(56) **References Cited**

**U.S. PATENT DOCUMENTS**

D349,996	S *	8/1994	Litwiller	.....	D34/33
D376,240	S *	12/1996	Finnigan et al.	.....	D34/33
5,791,858	A *	8/1998	Sasser	.....	414/462
D429,051	S *	8/2000	Porter	.....	D34/33
D438,684	S *	3/2001	Hernandez	.....	D34/33
6,981,834	B1 *	1/2006	Henry	.....	414/462
D542,501	S *	5/2007	Lopez	.....	D34/33
7,350,770	B1 *	4/2008	Boyer	.....	254/332
D577,875	S *	9/2008	Dorsett	.....	D34/31
D597,724	S *	8/2009	Rumreich	.....	D34/33
D659,342	S *	5/2012	Cichetti et al.	.....	D34/33
2004/0040925	A1 *	3/2004	Miller	.....	212/180

\* cited by examiner

*Primary Examiner* — Cynthia Ramirez

(74) *Attorney, Agent, or Firm* — The von Hellens Law Firm, Ltd.

(57) **CLAIM**

The ornamental design for a portable gantry, as shown and described.

FIG. 1 is an isometric view from the front, right and top of a portable gantry showing my new design; the broken lines showing a compressor are for purposes of illustrating the environment and form no part of the claimed design;

FIG. 2 is a partial isometric view from the top, right and rear side of the foot thereof;

FIG. 3 is a partial right side elevational view of the foot thereof;

FIG. 4 is a partial isometric view from the rear, top and right side showing the junction between the vertical and horizontal members thereof;

FIG. 5 is a partial top view of the junction between the vertical and horizontal members thereof;

FIG. 6 is a partial rear elevational view showing the junction between the vertical and horizontal members thereof;

FIG. 7 is a partial isometric view from the front, right and top view of the rear thereof;

FIG. 8 is a partial bottom view of the hoist mounted within the horizontal member thereof;

FIG. 9 is a right side elevational view of the hoist mounted within the horizontal member thereof, the left side elevational view being a mirror image;

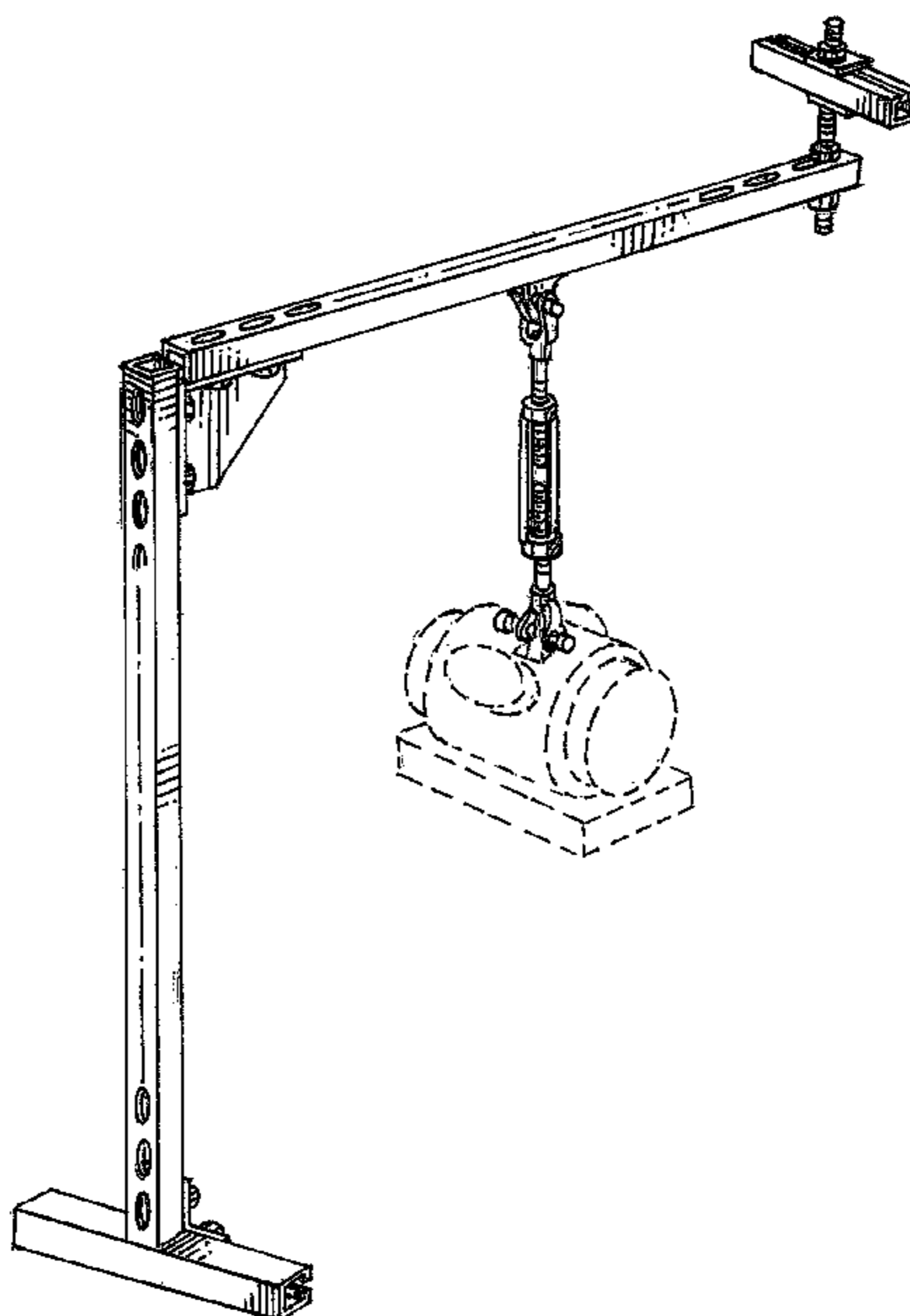
FIG. 10 is a top view of the hoist mounted within the horizontal member thereof;

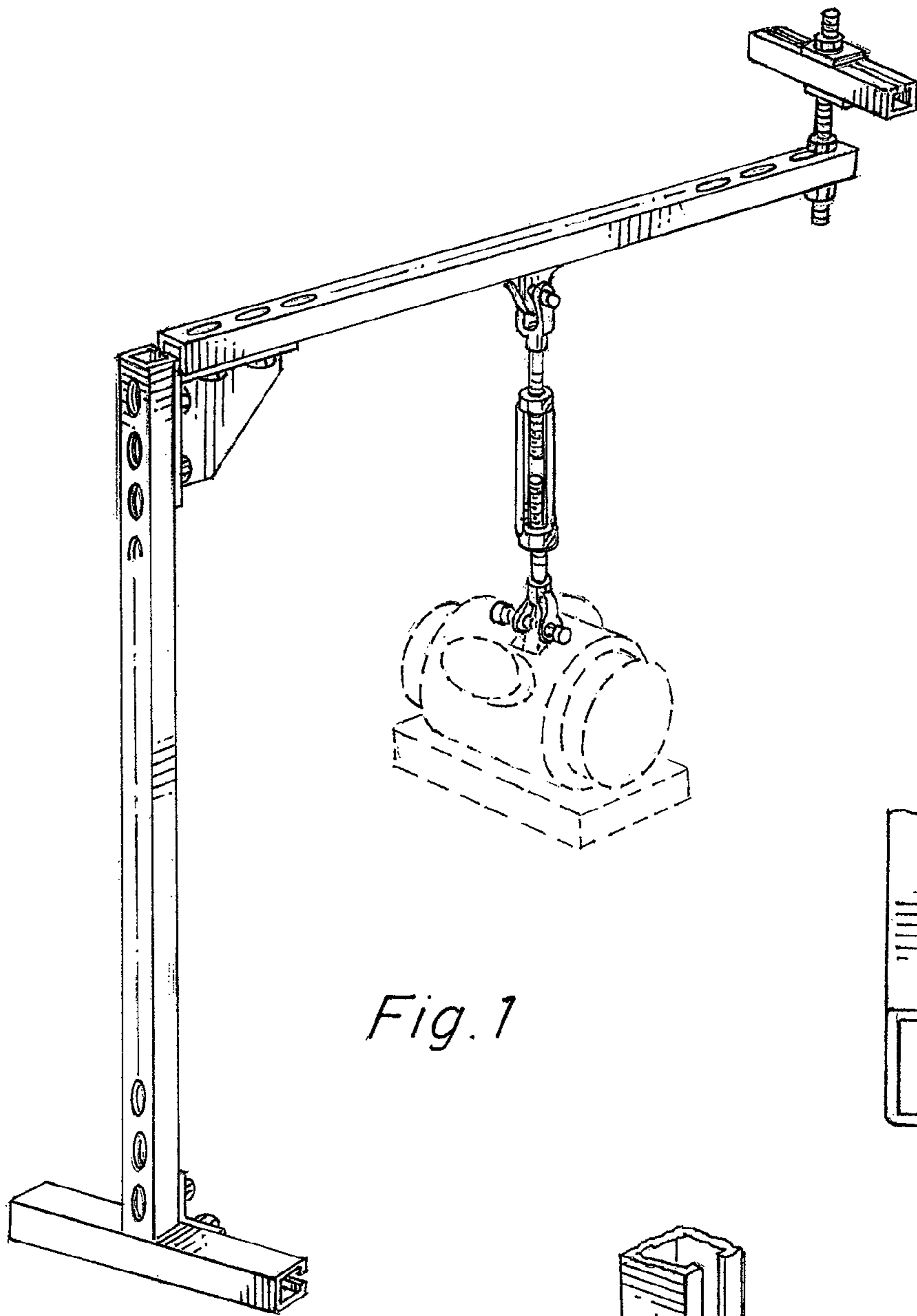
FIG. 11 is a bottom view of the hoist mounted within the horizontal member thereof; and,

FIG. 12 is a rear elevational view of the hoist mounted within the horizontal member thereof, the front elevational view being a mirror image.

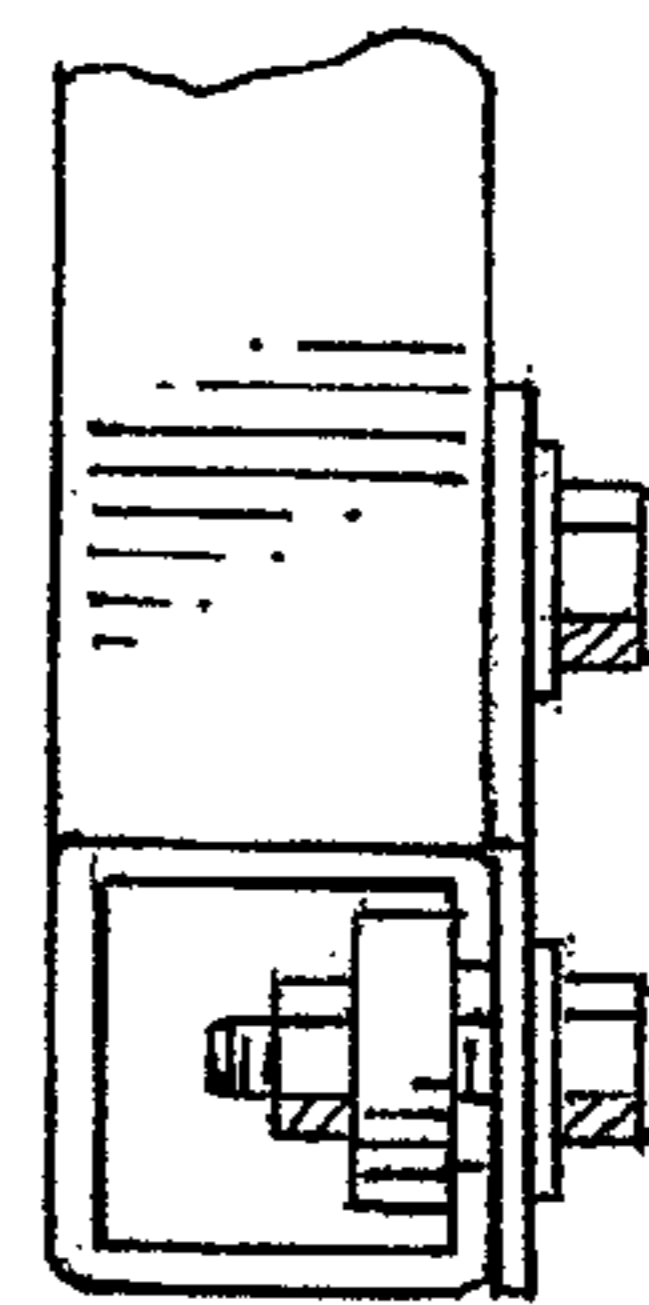
The bars of the gantry are shown cut away in some of the figures for convenience of illustration.

**1 Claim, 4 Drawing Sheets**

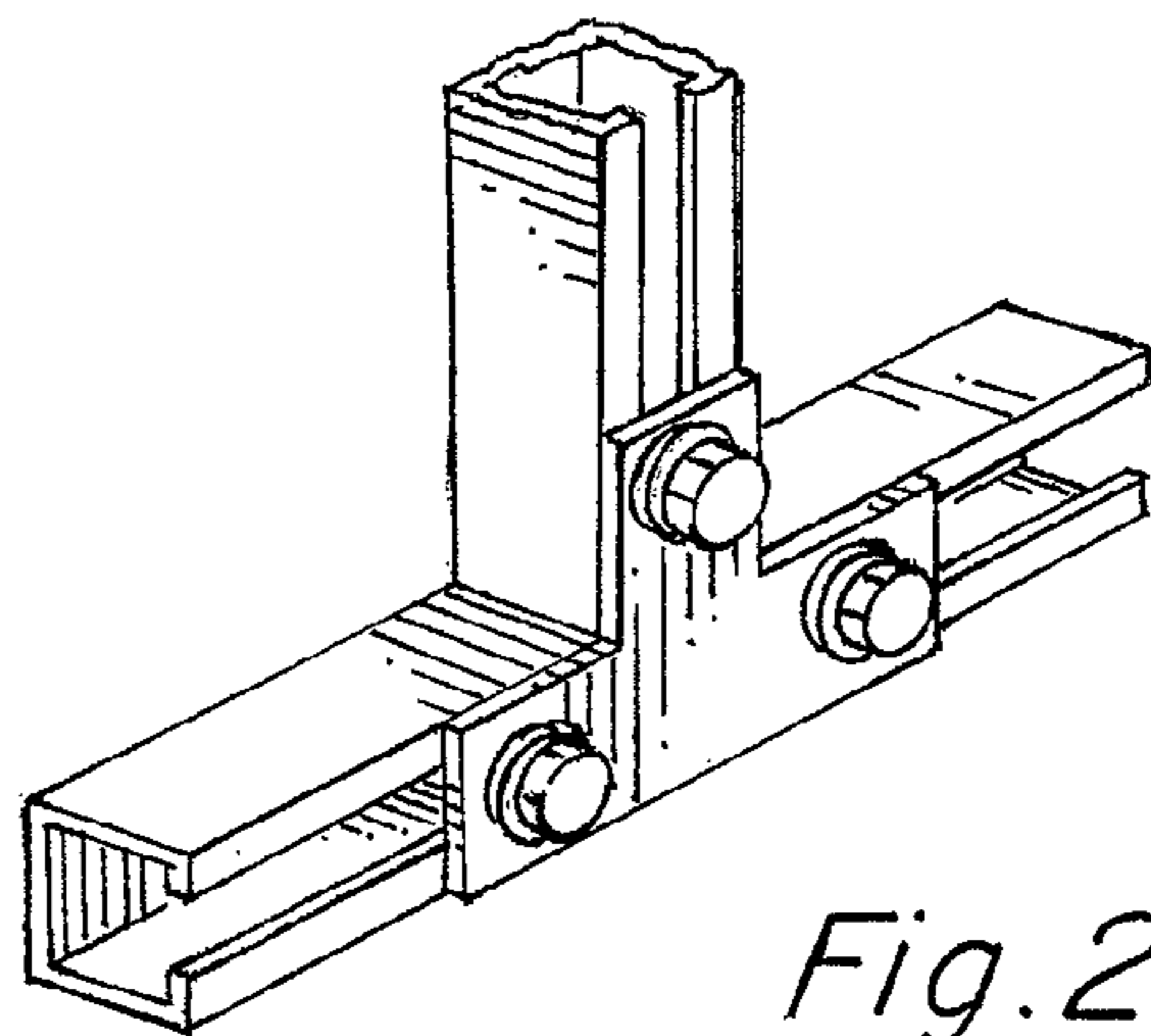




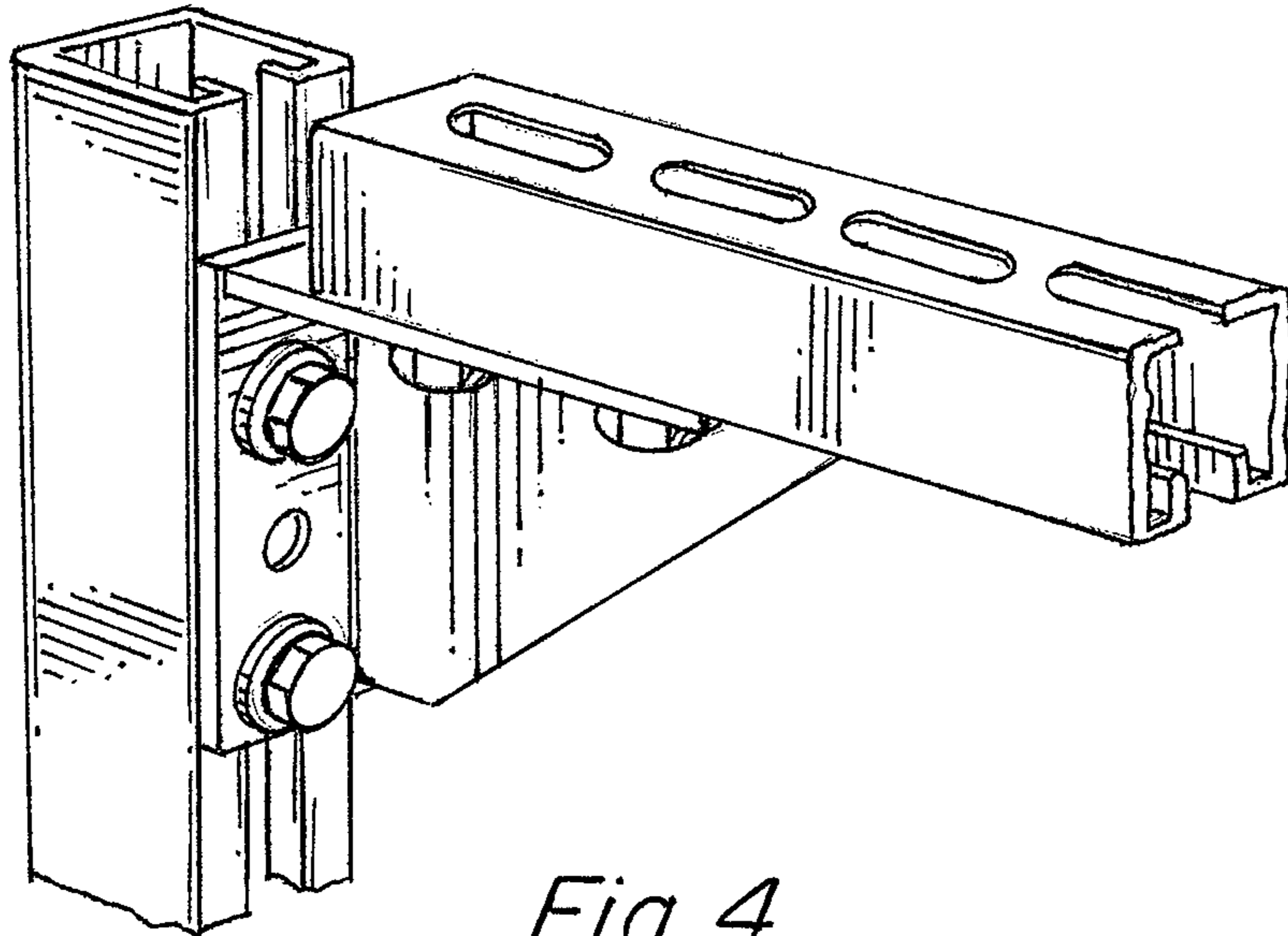
*Fig. 1*



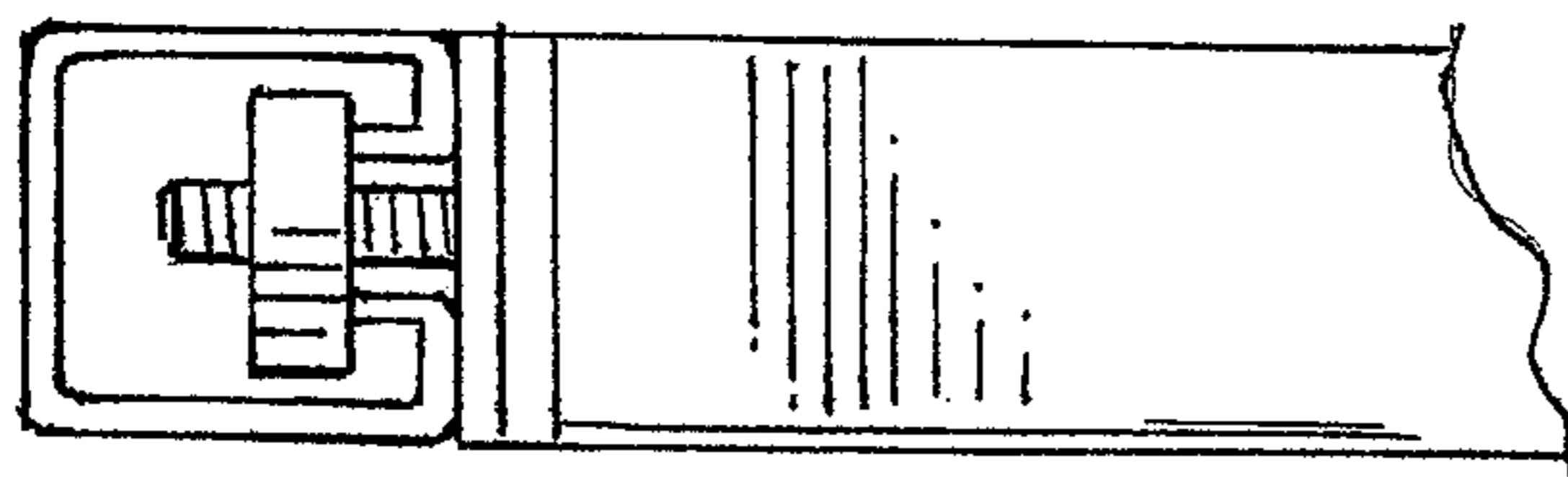
*Fig. 3*



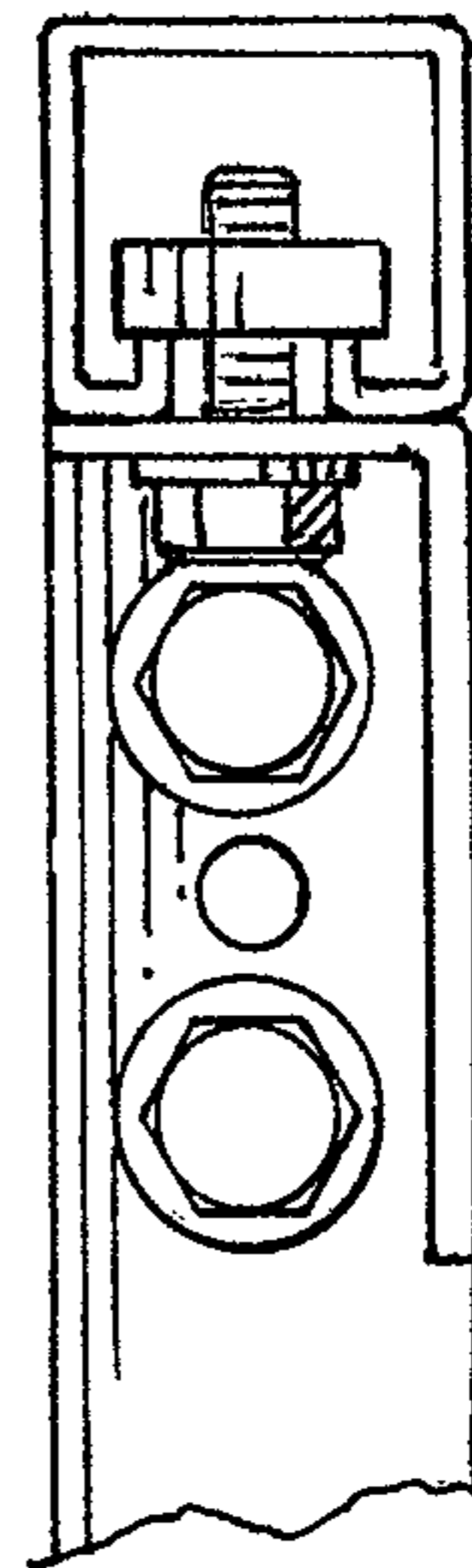
*Fig. 2*



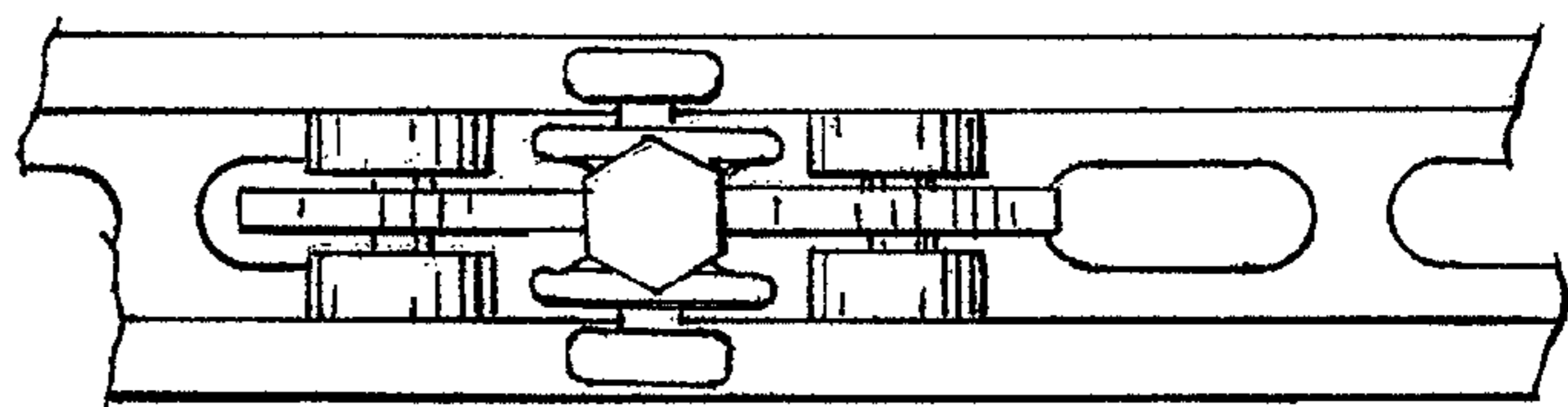
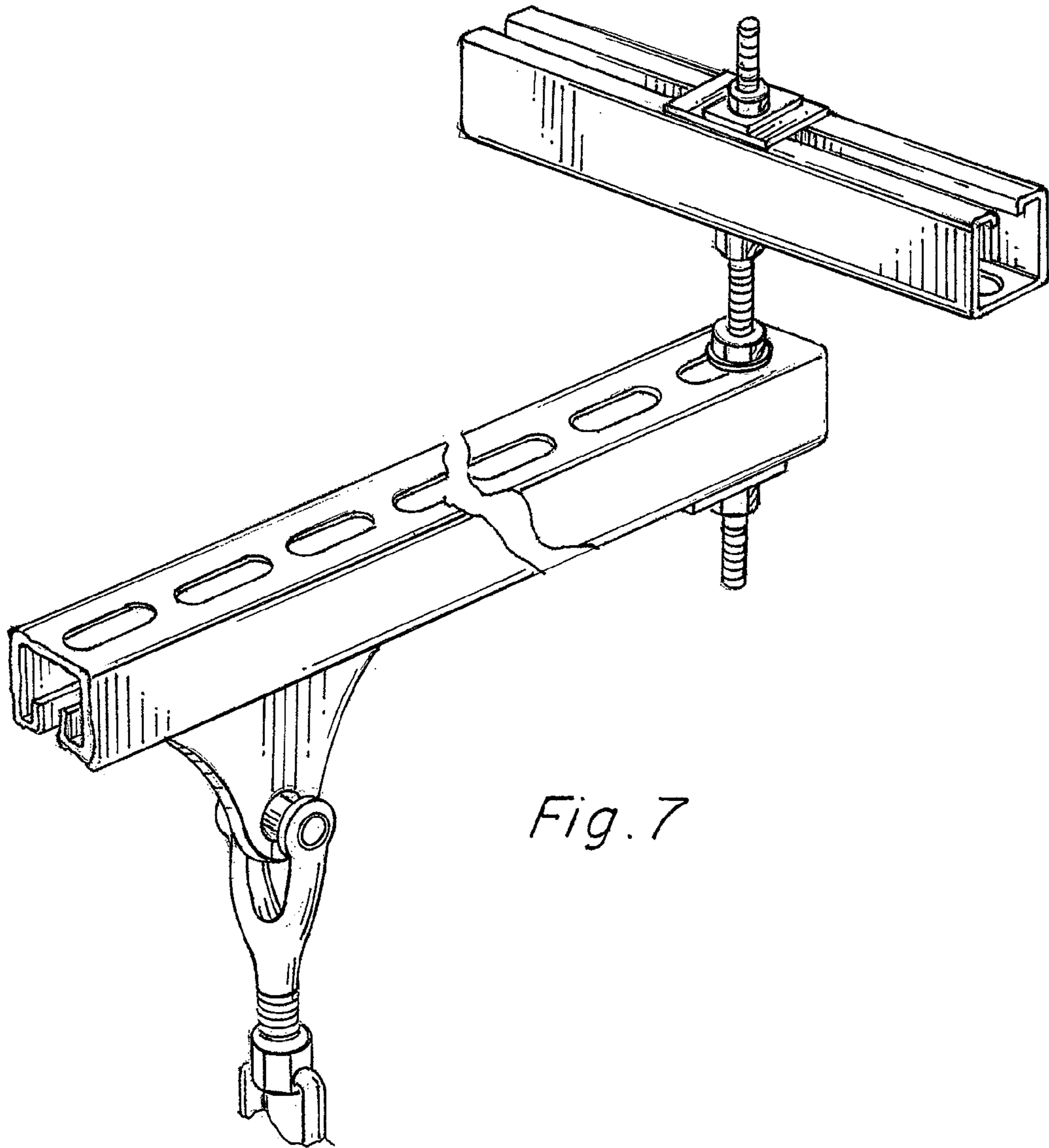
*Fig. 4*



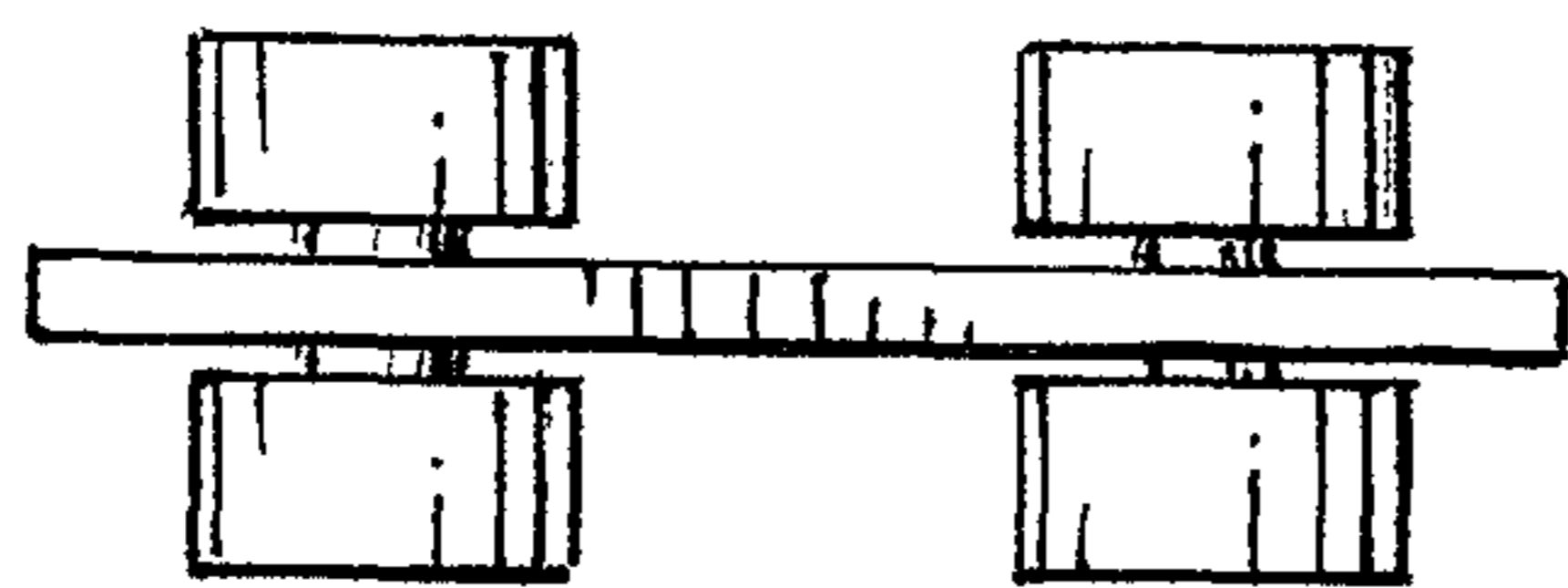
*Fig. 5*



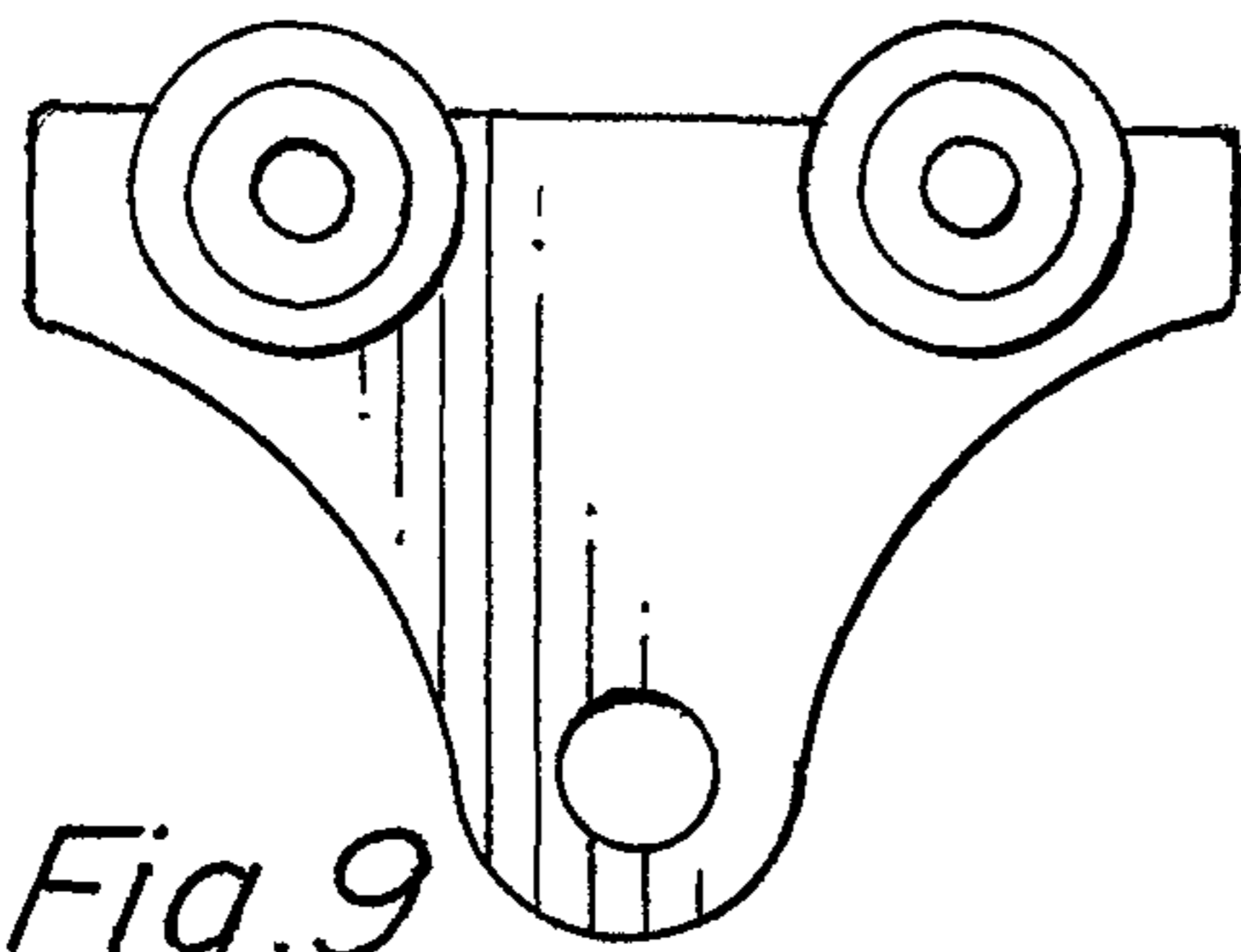
*Fig. 6*



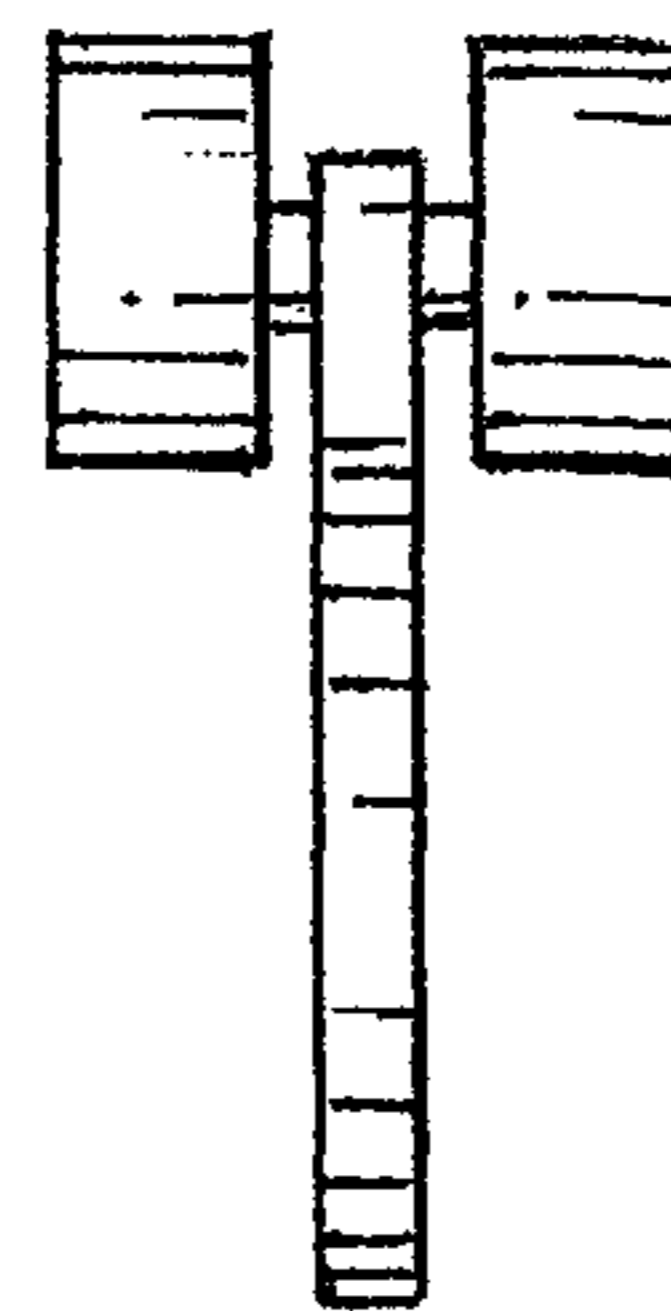




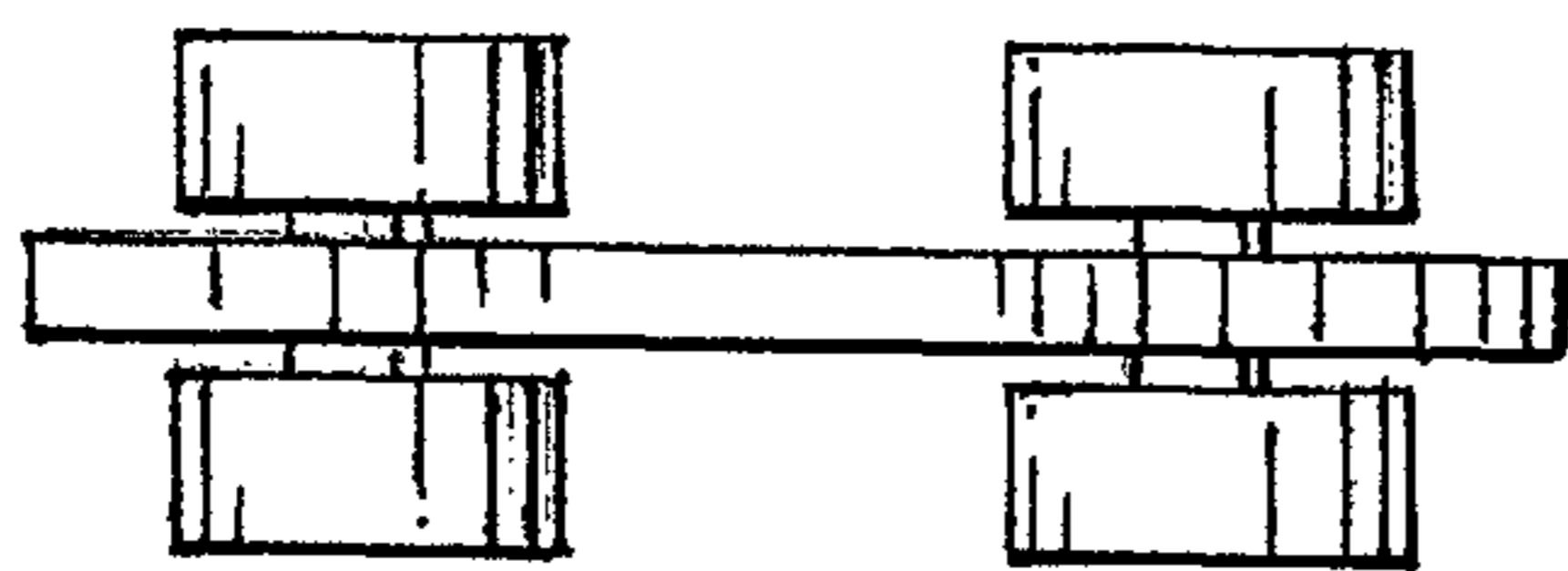
*Fig.10*



*Fig.9*



*Fig.12*



*Fig.11*