



US00D683514S

(12) **United States Design Patent**
Guo et al.

(10) **Patent No.:** **US D683,514 S**

(45) **Date of Patent:** **** May 28, 2013**

(54) **ROUGH TERRAIN CRANE**

(56) **References Cited**

(75) Inventors: **Fangyun Guo**, Changsha (CN); **Jianjun Zhang**, Changsha (CN); **Yangchun Guo**, Changsha (CN); **Rong Liu**, Changsha (CN); **Qing Li**, Changsha (CN); **Fazhong Zhong**, Changsha (CN); **Bingling Peng**, Changsha (CN)

U.S. PATENT DOCUMENTS

D205,031	S	*	6/1966	Grove	D34/34
D214,035	S	*	5/1969	Grove	D34/34
D218,412	S	*	8/1970	Lowe	D34/34
3,807,586	A	*	4/1974	Holopainen	414/694
D245,076	S	*	7/1977	Haswell	D34/34
D251,062	S	*	2/1979	Wacht et al.	D34/34
D251,240	S	*	3/1979	Grove	D34/34
D255,890	S	*	7/1980	Wilkes et al.	D34/34
D272,955	S	*	3/1984	Dowrick et al.	D34/34
D277,794	S	*	2/1985	Lanphere et al.	D34/34
D335,740	S	*	5/1993	Fujimoto et al.	D34/34
D348,135	S	*	6/1994	Goto et al.	D34/34
D348,967	S	*	7/1994	Goto et al.	D34/34
5,478,192	A	*	12/1995	Bentivoglio	414/718
D656,291	S	*	3/2012	Zhang et al.	D34/34

(73) Assignees: **Zoomlion Heavy Industry Science and Technology Co., Ltd.**, Changsha (CN); **Hunan Zoomlion Special Vehicle Co., Ltd.**, Changde (CN)

* cited by examiner

(**) Term: **14 Years**

Primary Examiner — Cynthia Ramirez

(21) Appl. No.: **29/405,796**

(74) *Attorney, Agent, or Firm* — Volpe and Koenig, P.C.

(22) Filed: **Nov. 7, 2011**

(57) **CLAIM**

The ornamental design for rough terrain crane, as shown and described.

(30) **Foreign Application Priority Data**

DESCRIPTION

May 9, 2011 (CN) 2011 3 0115920

(51) **LOC (9) Cl.** **12-05**

FIG. 1 is a perspective view of a rough terrain crane showing this design;

(52) **U.S. Cl.**

FIG. 2 is a front view thereof;

USPC **D34/33**

FIG. 3 is a rear view thereof;

(58) **Field of Classification Search** D34/33, D34/34, 35; D15/22-26; 212/180, 260, 261; 173/28, 173/38, 186; 414/563

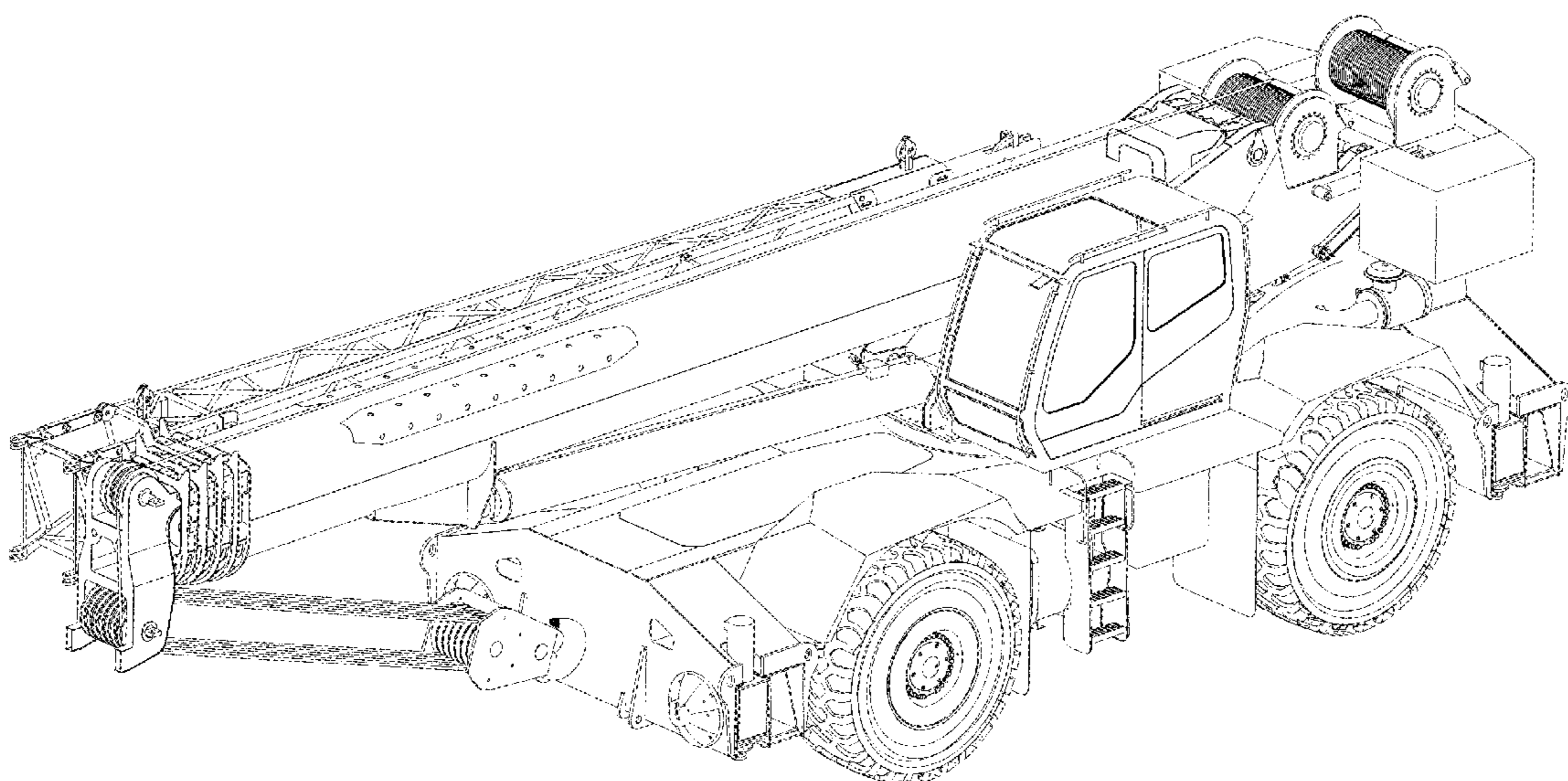
FIG. 4 is a left view thereof;

FIG. 5 is a right view thereof; and,

FIG. 6 is a top view thereof.

See application file for complete search history.

1 Claim, 6 Drawing Sheets



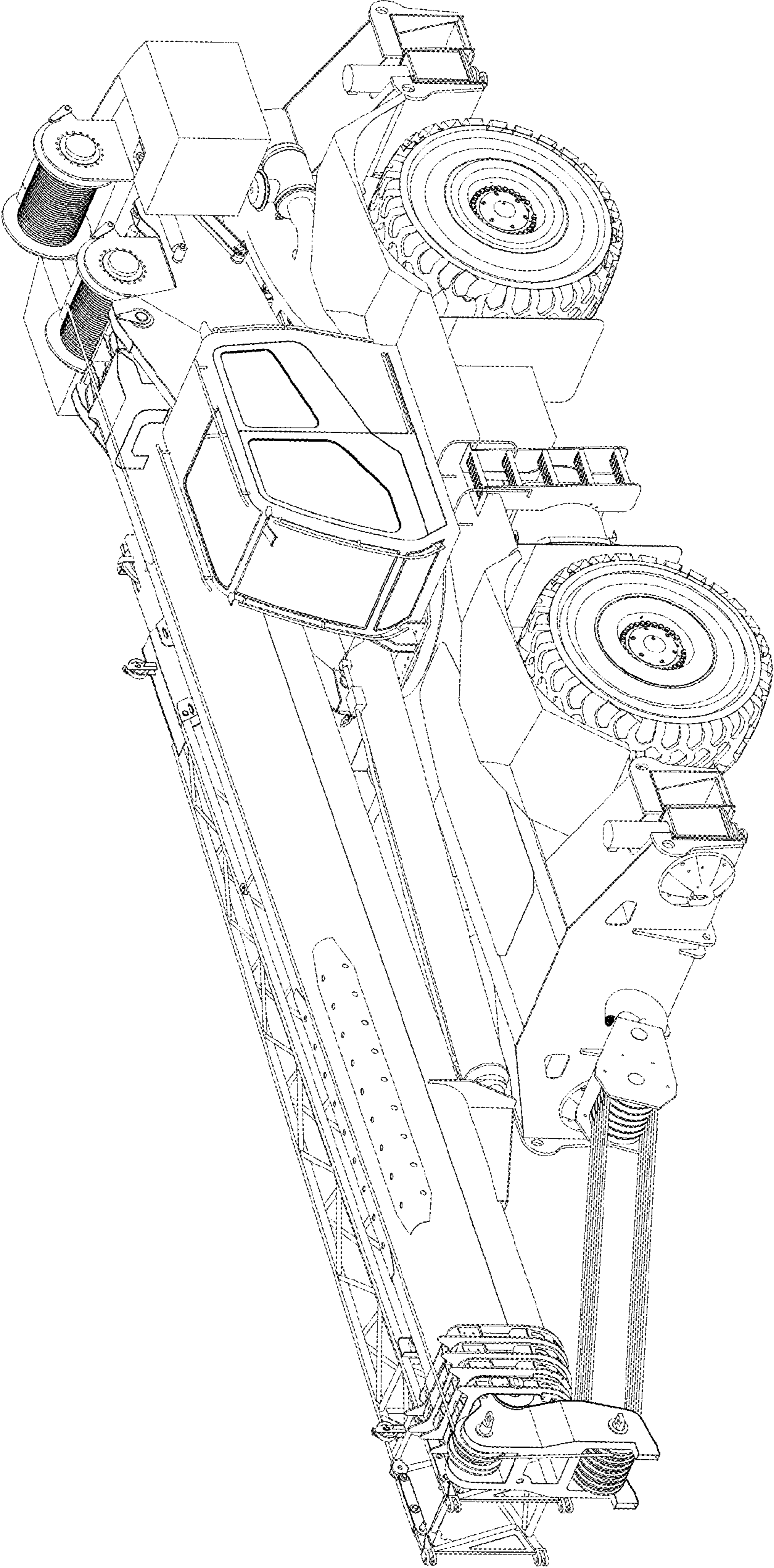


Fig. 1

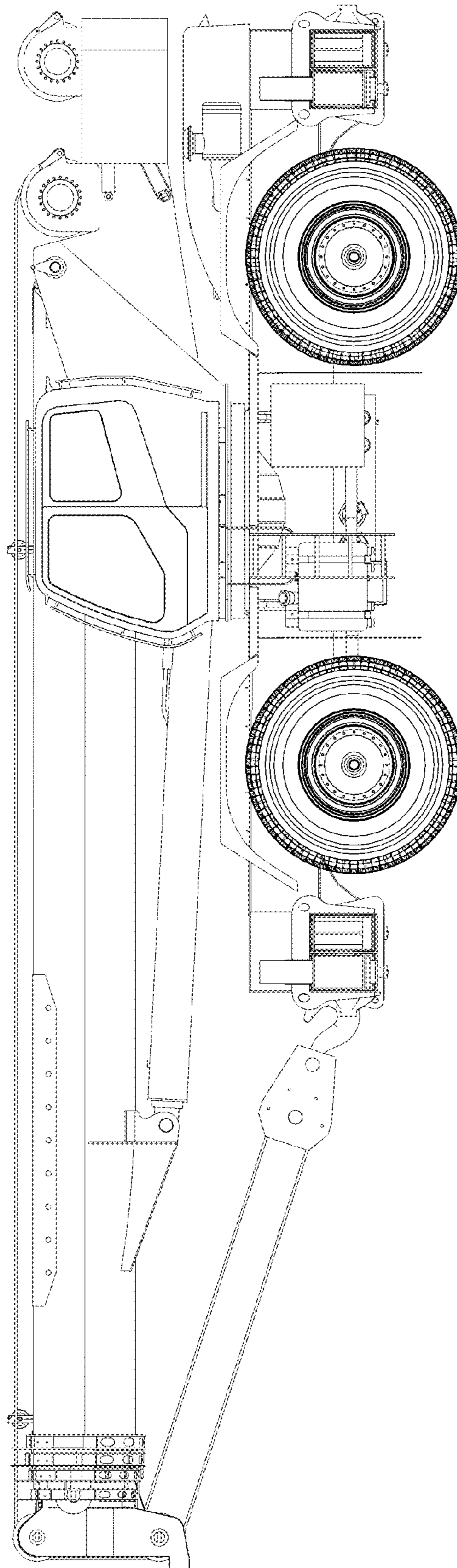


Fig. 2

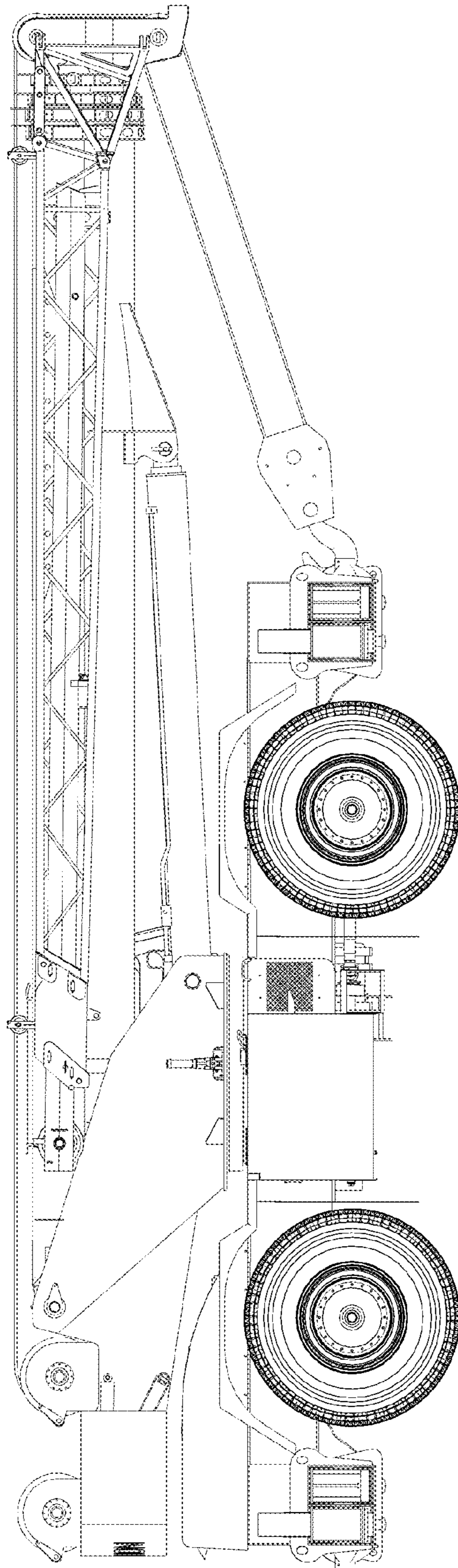


Fig. 3

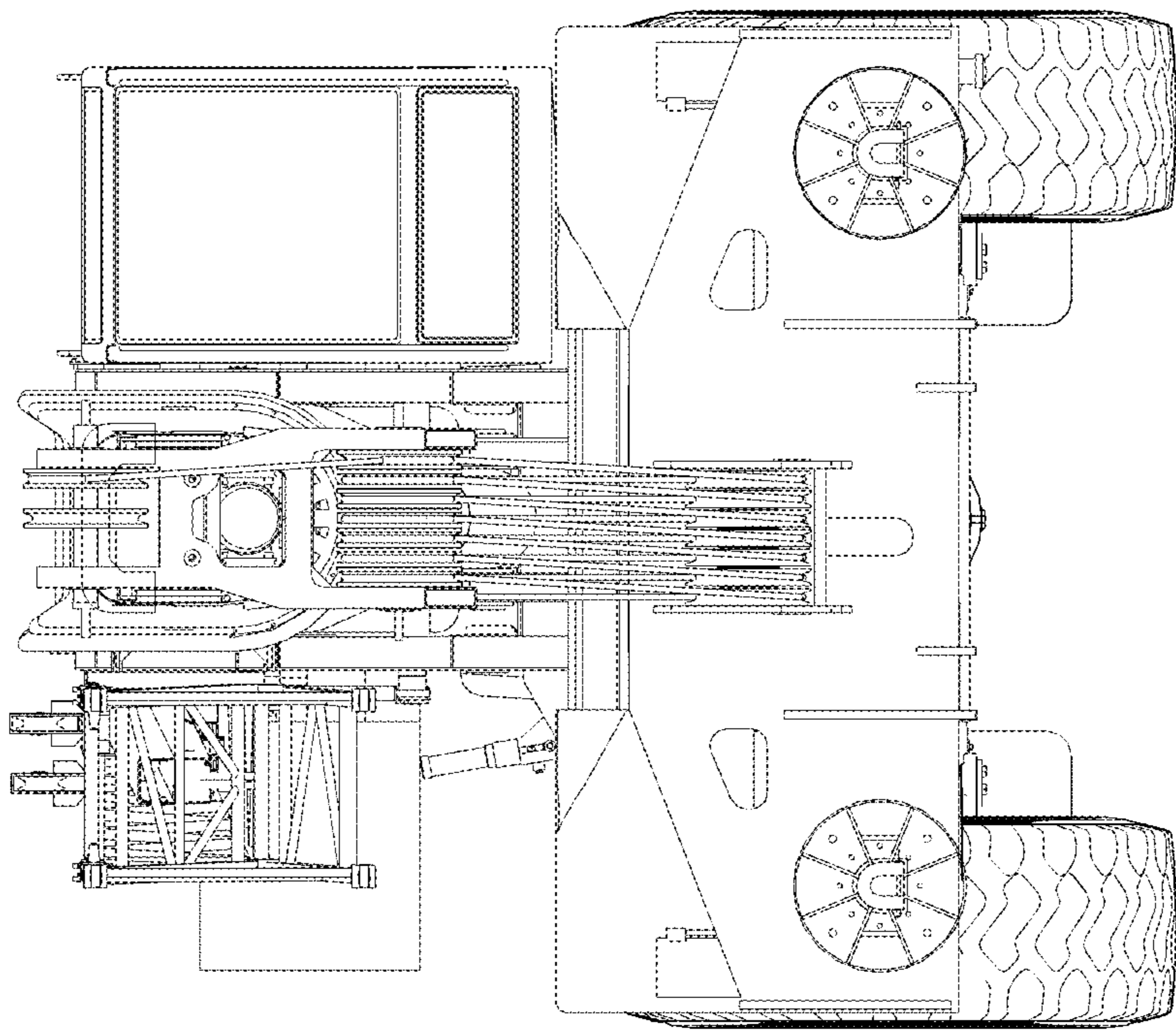


Fig. 4

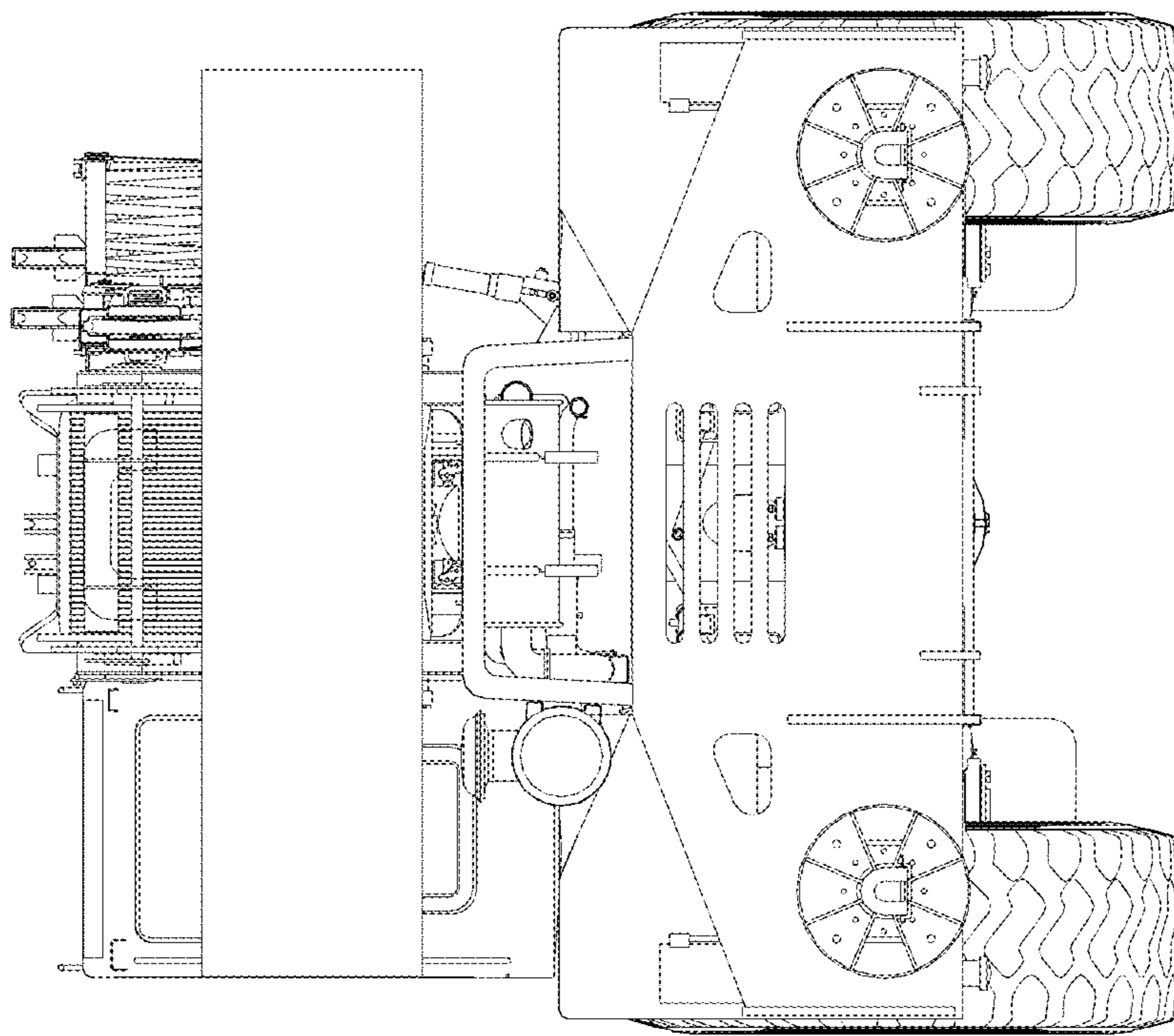


Fig. 5

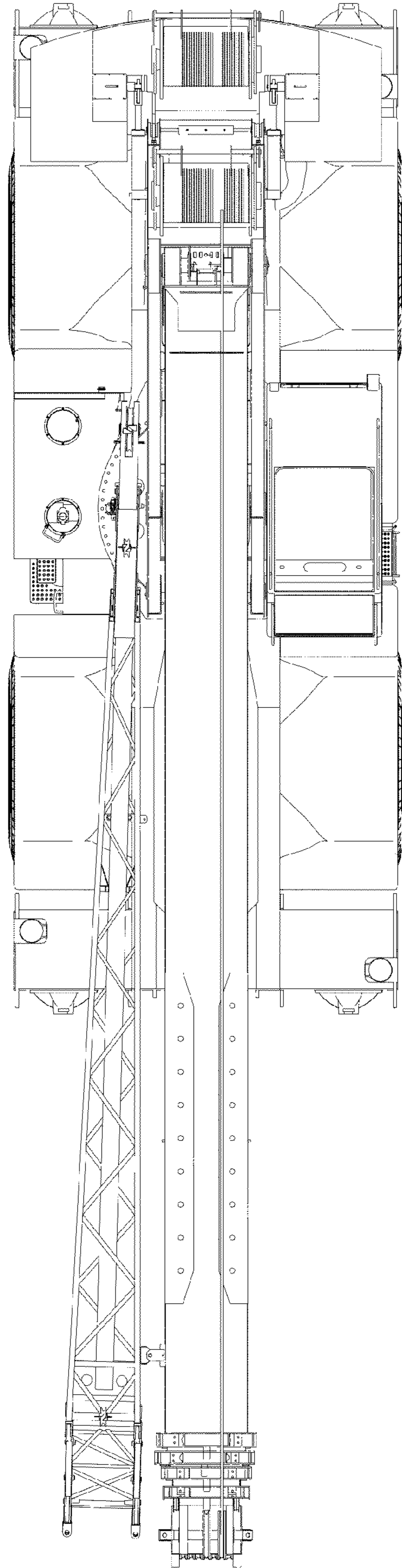


Fig. 6