



US00D683513S

(12) **United States Design Patent**
Wei et al.

(10) **Patent No.:** **US D683,513 S**

(45) **Date of Patent:** **** May 28, 2013**

(54) **TATTOO UTILITY CART**

(76) Inventors: **Wen Wei**, Baldwin Park, CA (US); **Billy Chen**, Baldwin Park, CA (US); **Michael Chen**, Baldwin Park, CA (US)

(**) Term: **14 Years**

(21) Appl. No.: **29/409,831**

(22) Filed: **Dec. 29, 2011**

(51) **LOC (9) Cl.** **12-02**

(52) **U.S. Cl.**
USPC **D34/19**

(58) **Field of Classification Search** D34/12-27;
280/47.35, 33.991, 79.11, 79.3, 79.2; D6/447,
D6/446, 448

See application file for complete search history.

(56) **References Cited**

U.S. PATENT DOCUMENTS

D234,078	S	*	1/1975	Emanuele	D34/20
5,140,973	A	*	8/1992	Home	126/41 R
D361,910	S	*	9/1995	Maple et al.	D6/445
D366,746	S	*	1/1996	Jones	D34/20
D370,329	S	*	5/1996	Lima	D34/20
5,702,166	A	*	12/1997	Lee	312/107

D501,284	S	*	1/2005	Mount	D34/14
D559,596	S	*	1/2008	Matty et al.	D6/511
7,950,679	B2	*	5/2011	Claffy	280/47.35
D653,010	S	*	1/2012	Shen et al.	D34/19
D673,751	S	*	1/2013	Freimuth et al.	D34/12

* cited by examiner

Primary Examiner — Cynthia Ramirez

(74) *Attorney, Agent, or Firm* — Rankin, Hill & Clark LLP

(57) **CLAIM**

The ornamental design for a tattoo utility cart, as shown and described.

DESCRIPTION

FIG. 1 is a perspective view of a tattoo utility cart showing our new design;

FIG. 2 is a front elevational view thereof;

FIG. 3 is a rear elevational view thereof;

FIG. 4 is a right side elevational view thereof;

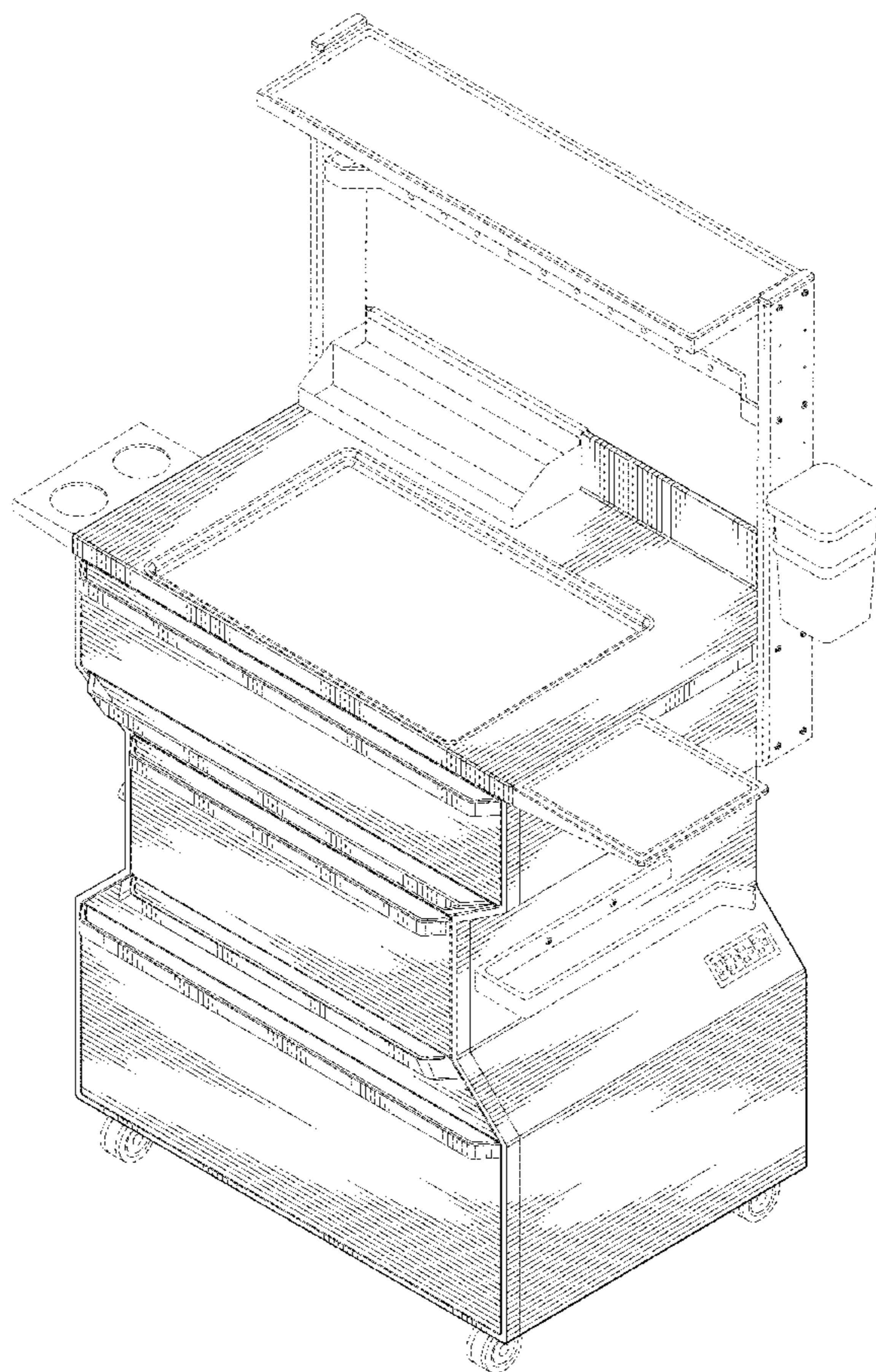
FIG. 5 is a left side elevational view thereof;

FIG. 6 is a top plan view thereof; and,

FIG. 7 is an underside plan view thereof.

The dashed broken lines are for the purpose of illustrating portions of the tattoo utility cart and form no part of the claimed design.

1 Claim, 7 Drawing Sheets



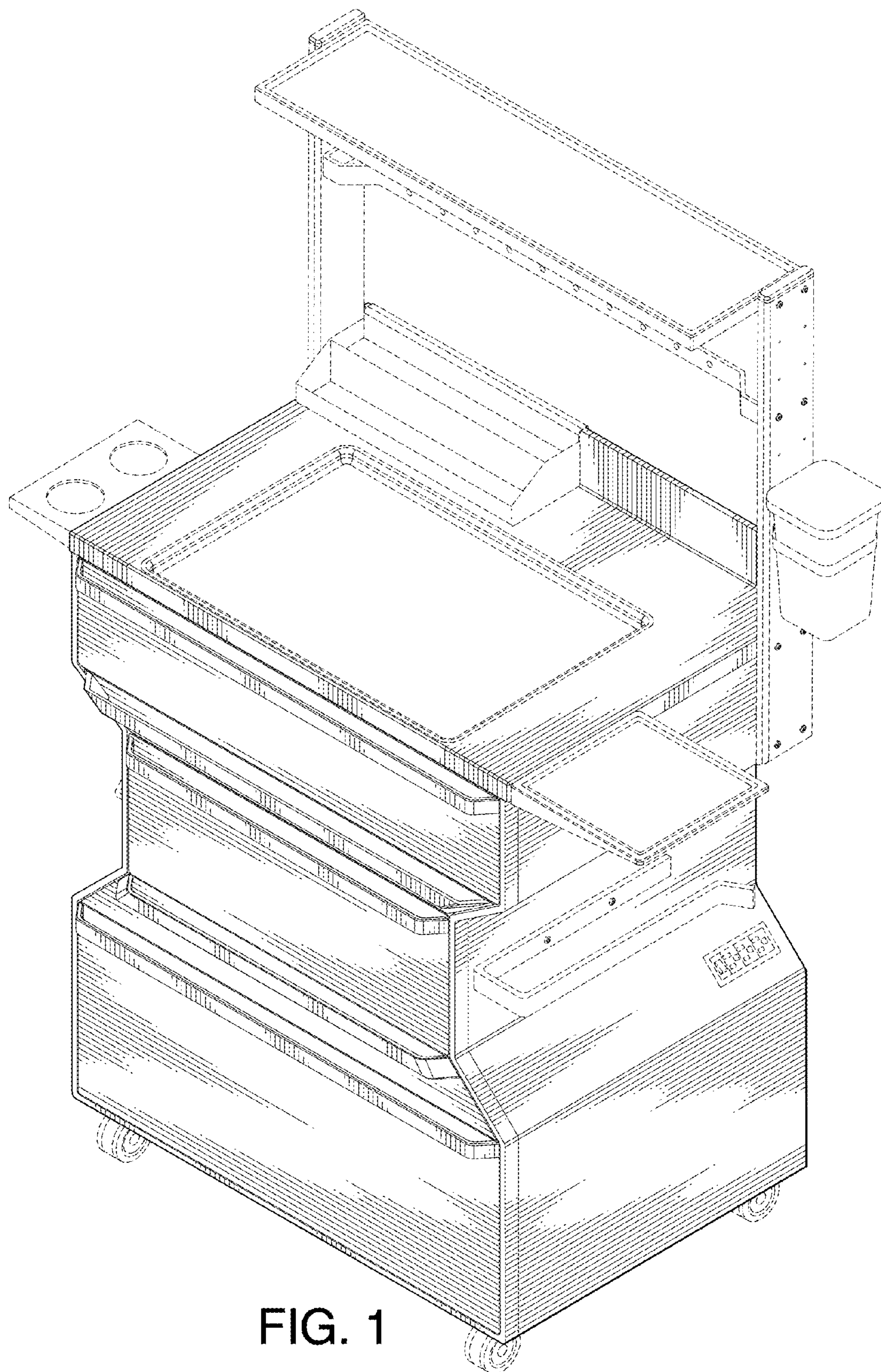


FIG. 1

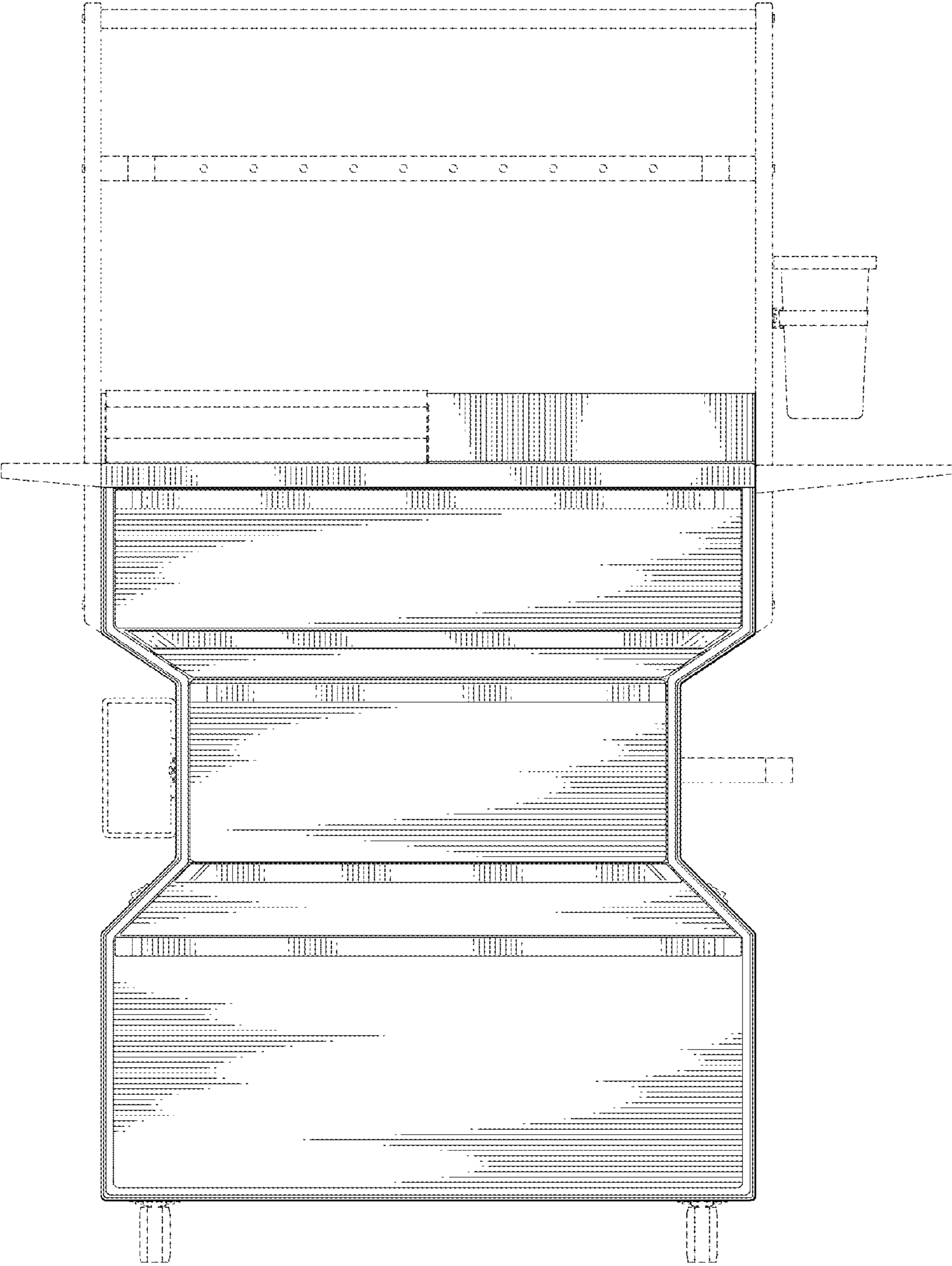


FIG. 2

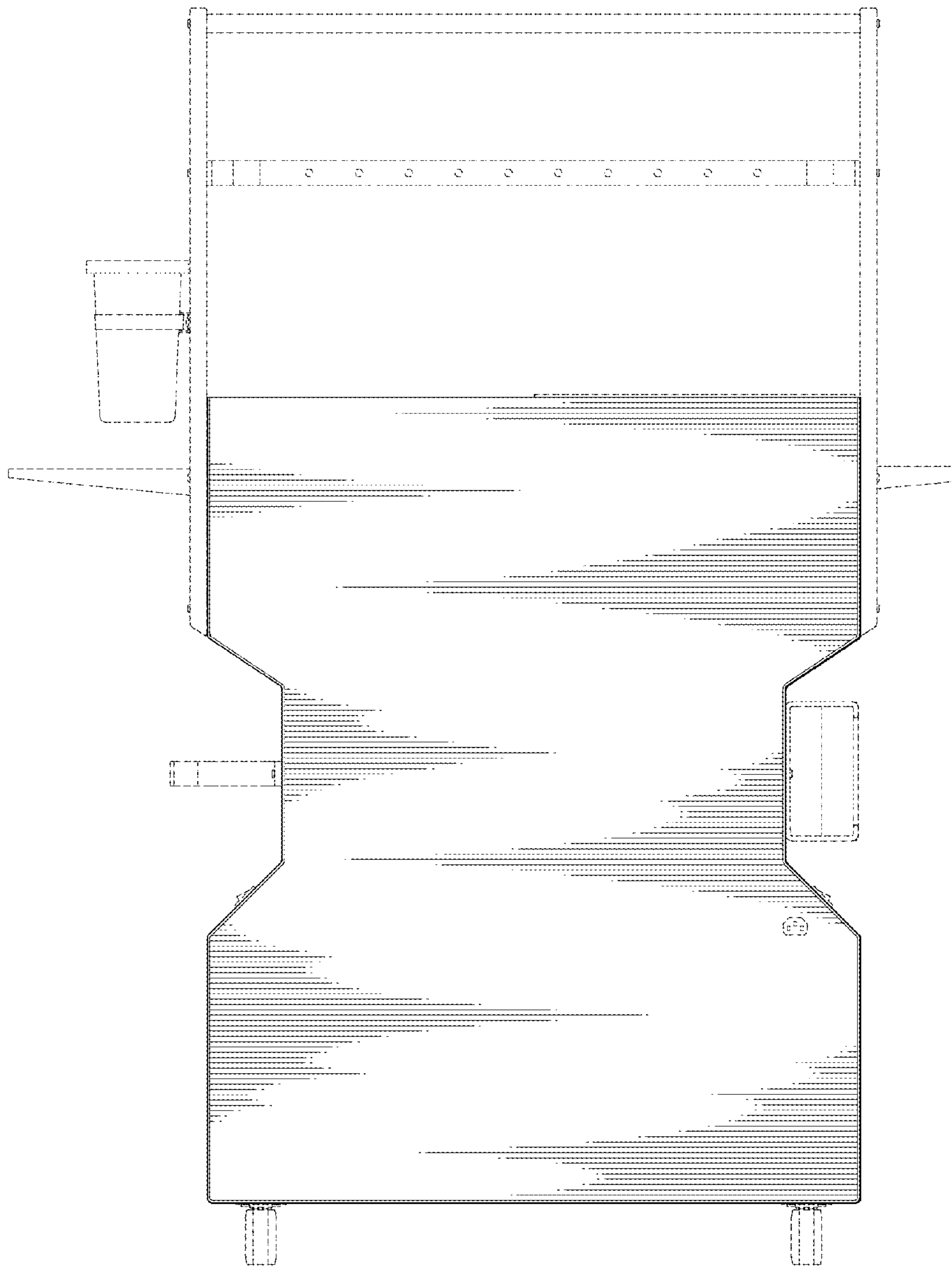


FIG. 3

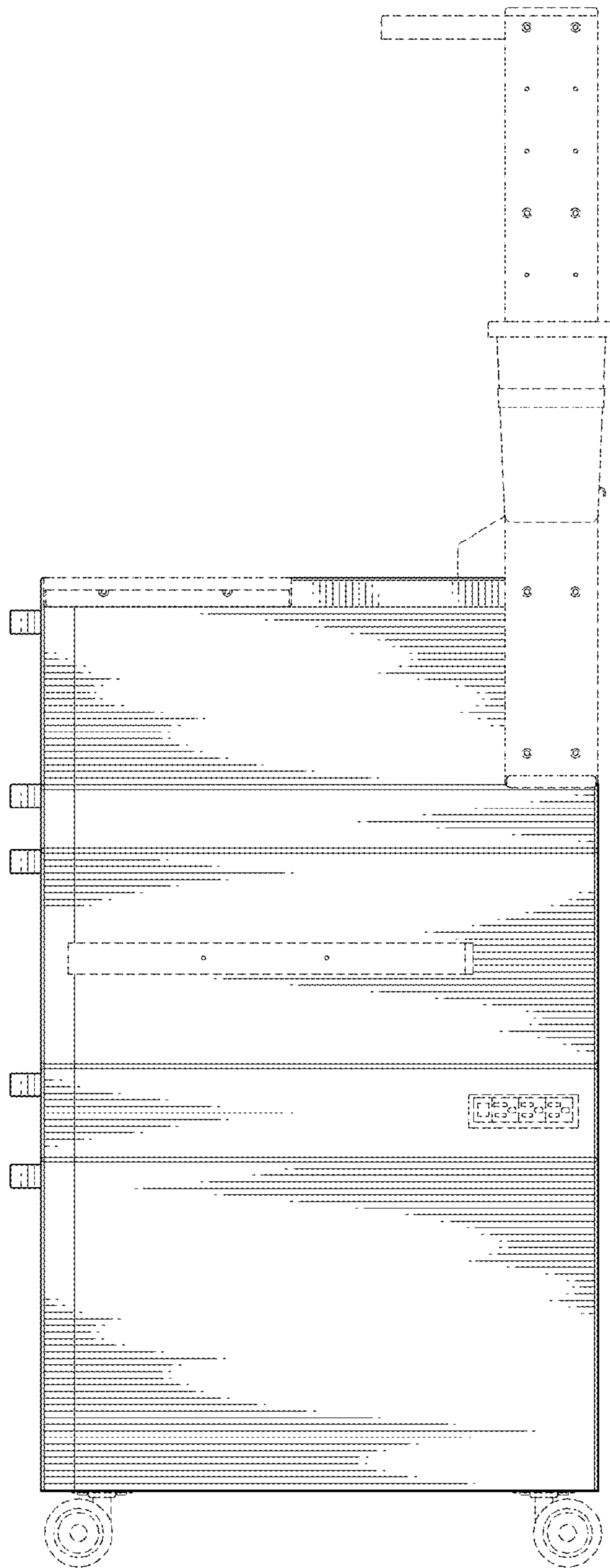


FIG. 4

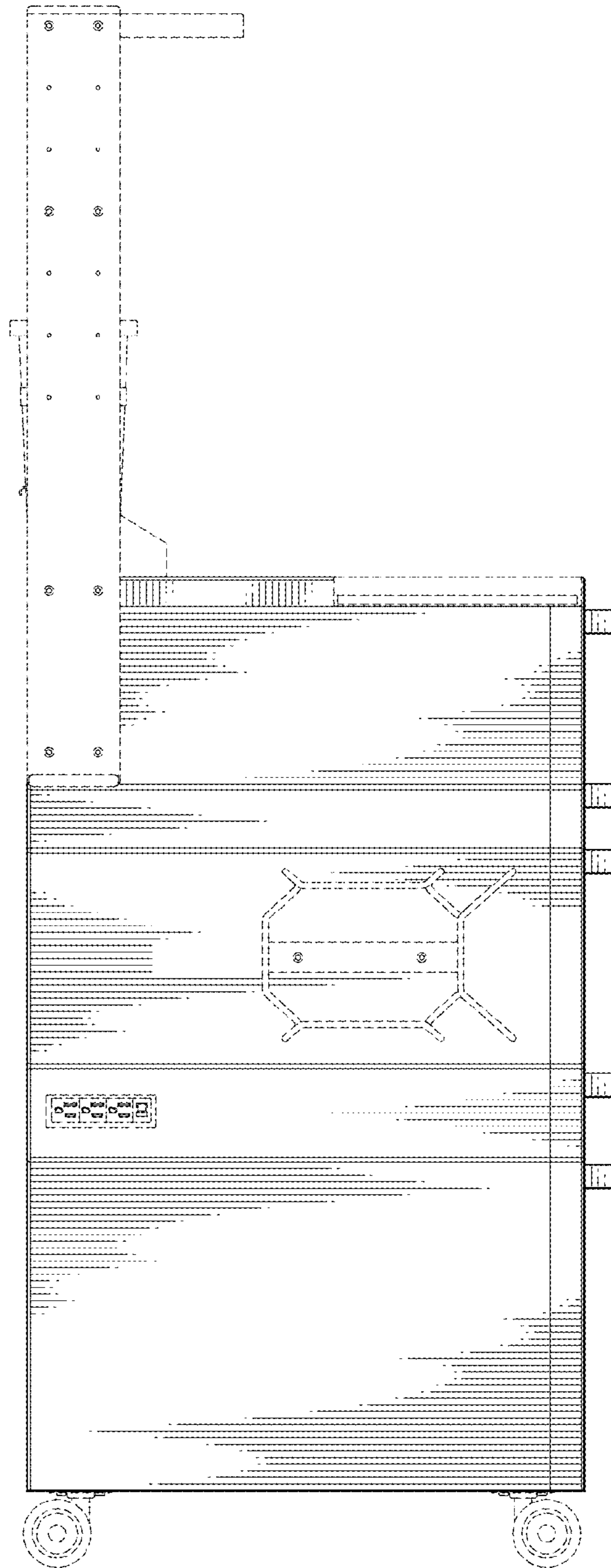


FIG. 5

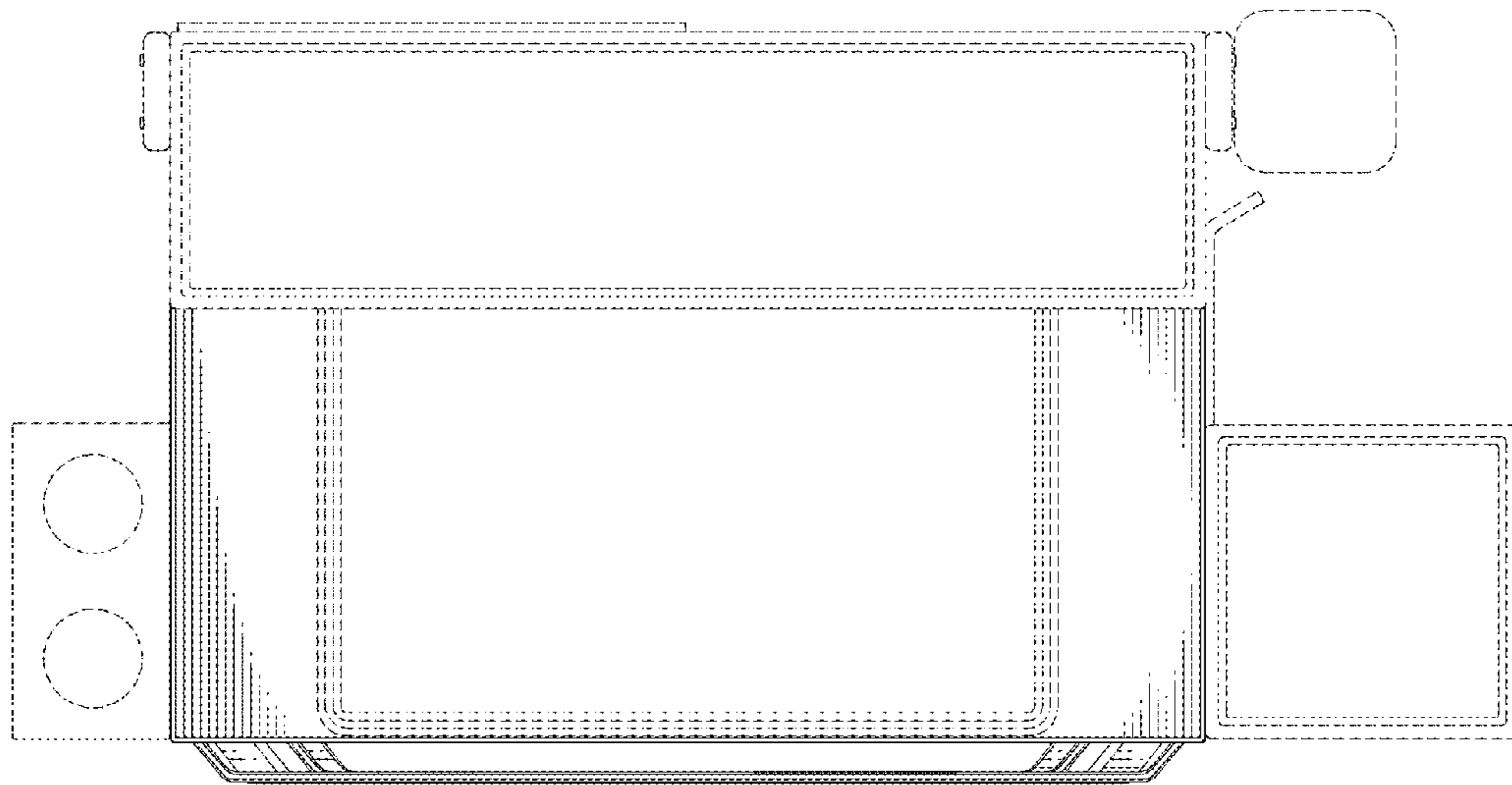


FIG. 6

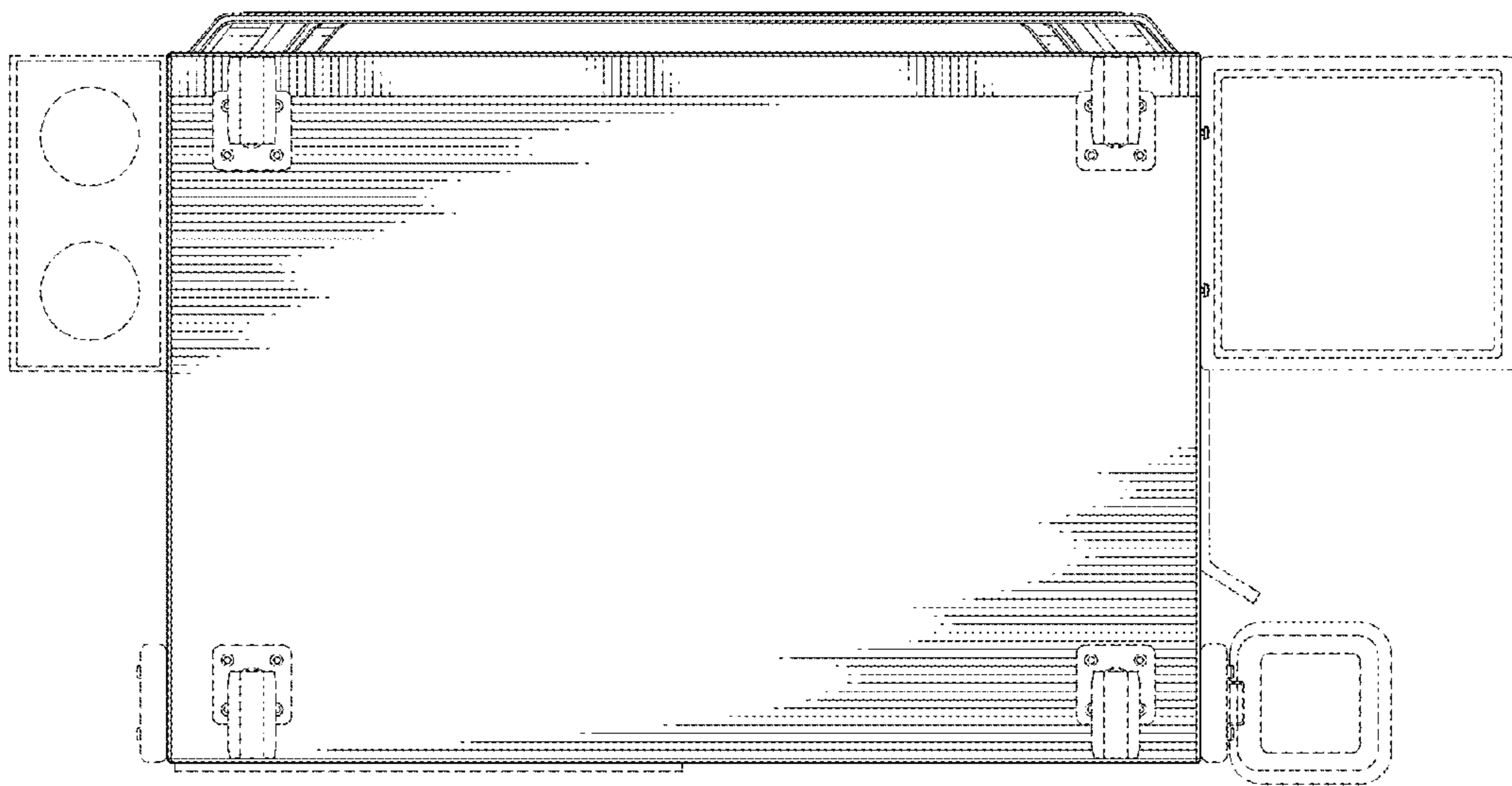


FIG. 7