



US00D683512S

(12) **United States Design Patent**
Quan

(10) **Patent No.:** **US D683,512 S**

(45) **Date of Patent:** **** May 28, 2013**

(54) **TRASH CAN WITH LID**

(71) Applicant: **Umbra LLC**, Buffalo, NY (US)

(72) Inventor: **David Quan**, Toronto (CA)

(73) Assignee: **Umbra LLC**, Buffalo, NY (US)

(**) Term: **14 Years**

(21) Appl. No.: **29/434,736**

(22) Filed: **Oct. 16, 2012**

(51) **LOC (9) Cl.** **09-09**

(52) **U.S. Cl.**
USPC **D34/7**

(58) **Field of Classification Search**
USPC D34/1, 6, 7, 8, 9, 10, 11; 220/908,
220/908.1, 911, 912, 913; D19/81; D11/143
See application file for complete search history.

(56) **References Cited**

U.S. PATENT DOCUMENTS

D381,784 S	7/1997	Keller et al.	
D399,622 S	10/1998	Rashid	
D404,867 S	1/1999	Rashid	
D418,957 S	1/2000	Rashid	
D450,414 S	11/2001	Rashid	
D470,638 S	* 2/2003	Quan	D34/7
D483,165 S	* 12/2003	Dretzka	D34/7
D483,166 S	* 12/2003	Lin	D34/7
D493,266 S	7/2004	Rashid	
D508,594 S	* 8/2005	Snell	D34/1
D540,502 S	4/2007	Rowan	
D543,326 S	* 5/2007	Dretzka	D34/1
D543,327 S	* 5/2007	Snell	D34/1
D554,319 S	* 10/2007	Chen	D34/1
D554,322 S	* 10/2007	Pollack	D34/7
D566,363 S	* 4/2008	Lown et al.	D34/1
D590,564 S	* 4/2009	Dretzka	D34/1
RE41,854 E	10/2010	Rashid	

D643,173 S	8/2011	Quan et al.
D644,388 S	8/2011	Quan
D644,392 S	8/2011	Quan
D656,698 S	3/2012	Quan
D673,750 S	1/2013	Quan
2010/0219192 A1	9/2010	Quan

OTHER PUBLICATIONS

Utility U.S. Appl. No. 13/327,118, filed Dec. 15, 2011, entitled Step Trash Can (Quan).

Utility U.S. Appl. No. 13/408,546, filed Feb. 29, 2012, entitled Step Garbage Can With Damper (Quan).

(Continued)

Primary Examiner — Cynthia Ramirez

(74) *Attorney, Agent, or Firm* — Simpson & Simpson, PLLC

(57) **CLAIM**

The ornamental design for a trash can with lid, as shown and described.

DESCRIPTION

FIG. 1 is a perspective view of the trash can with lid of the invention;

FIG. 2 is a front elevational view of the trash can with lid of the invention;

FIG. 3 is a rear elevational view of the trash can with lid of the invention;

FIG. 4 is a left side elevational view of the trash can with lid of the invention;

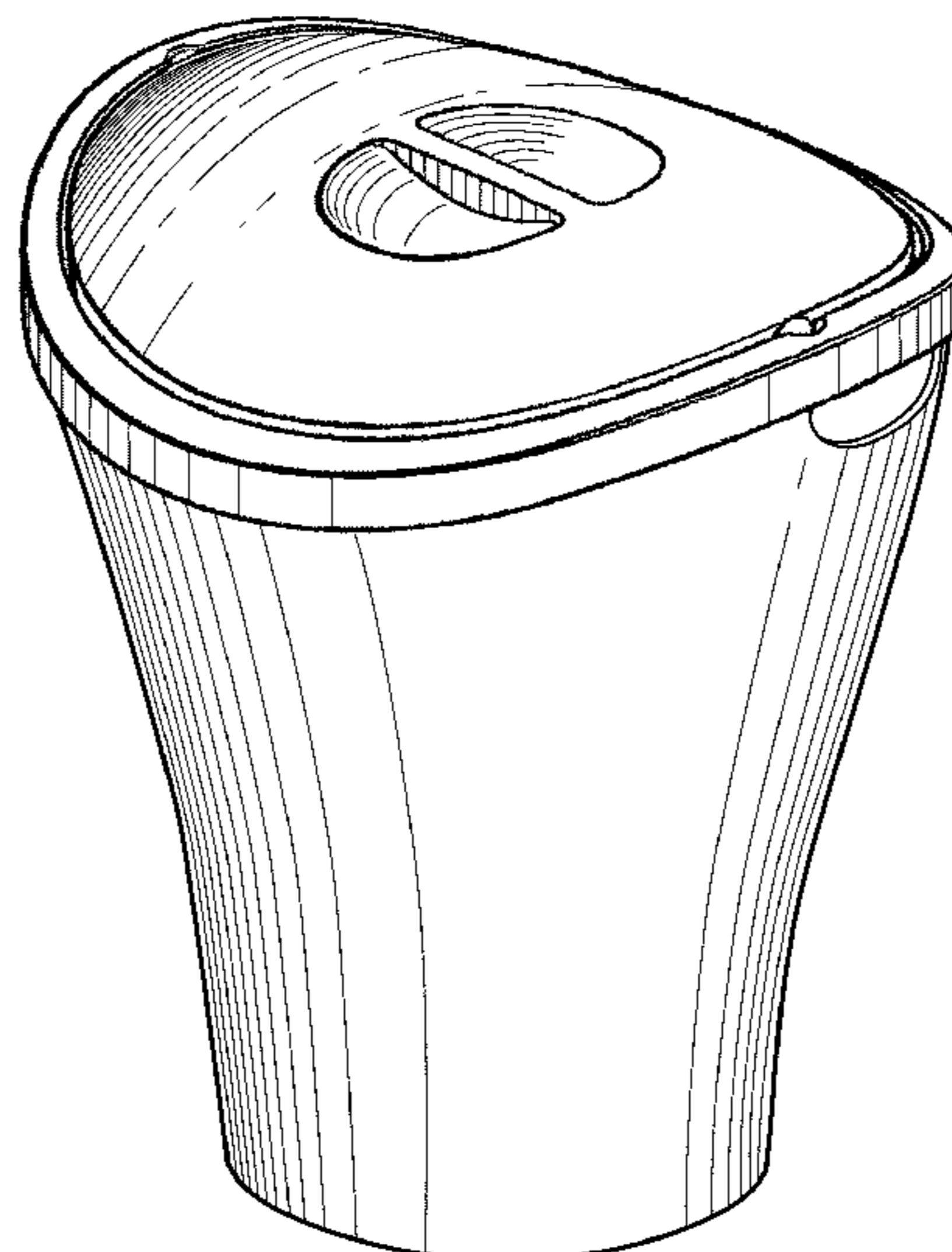
FIG. 5 is a right side elevational view of the trash can with lid of the invention;

FIG. 6 is a top plan view of the trash can with lid of the invention;

FIG. 7 is a bottom plan view of the trash can with lid of the invention; and,

FIG. 8 is a cross-sectional view of the trash can with lid of the invention taken along line 8-8 in FIG. 2.

1 Claim, 7 Drawing Sheets



OTHER PUBLICATIONS

Utility U.S. Appl. No. 13/340,233, filed Dec. 29, 2011, entitled Trash Can With Bag Collar (Quan).
Design U.S. Appl. No. 29/409,852, filed Dec. 29, 2011, entitled Bag Ring and Assembly (Quan).

Design U.S. Appl. No. 29/332,937, filed Feb. 27, 2009, entitled Step Garbage Can (Quan).

* cited by examiner

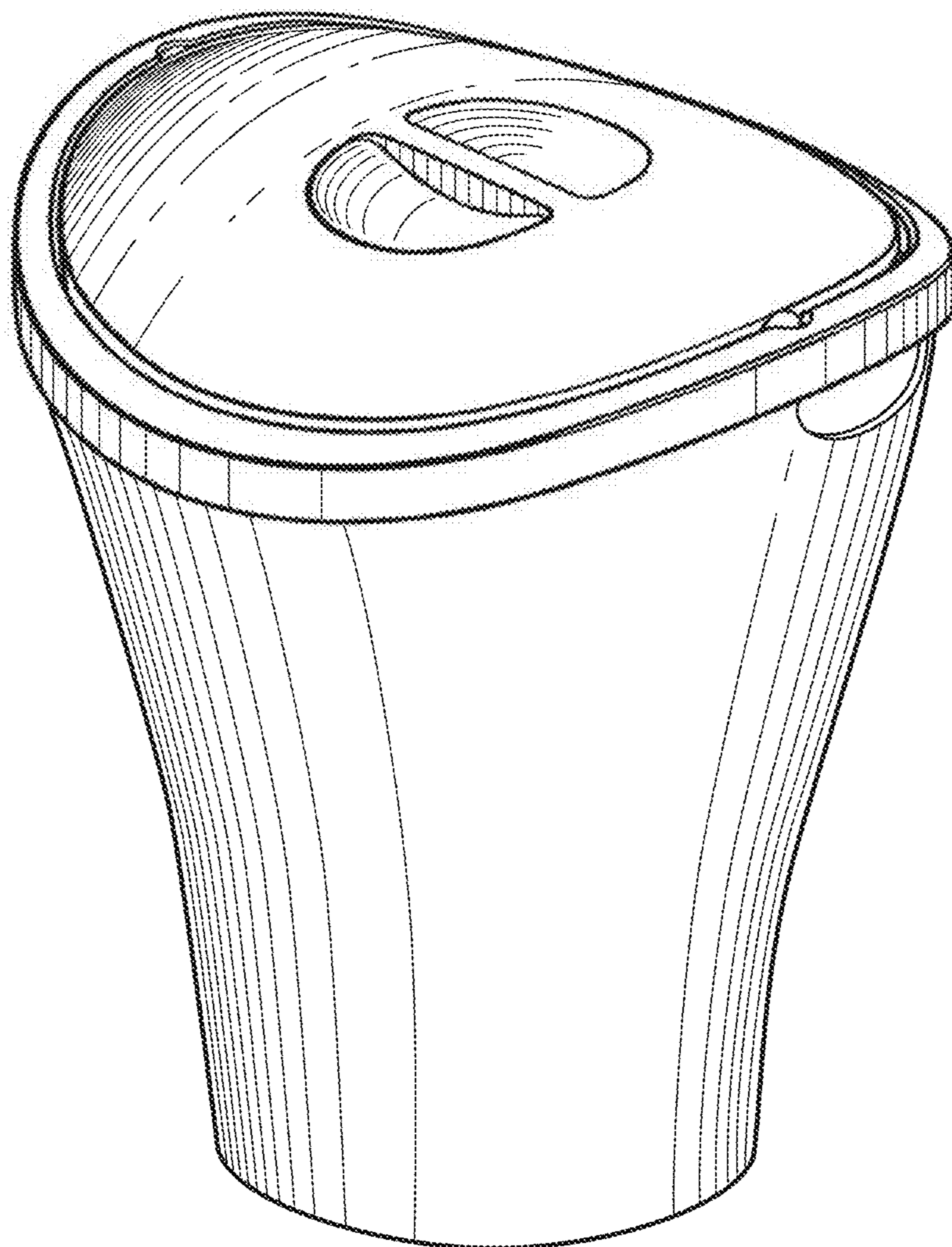


Fig. 1

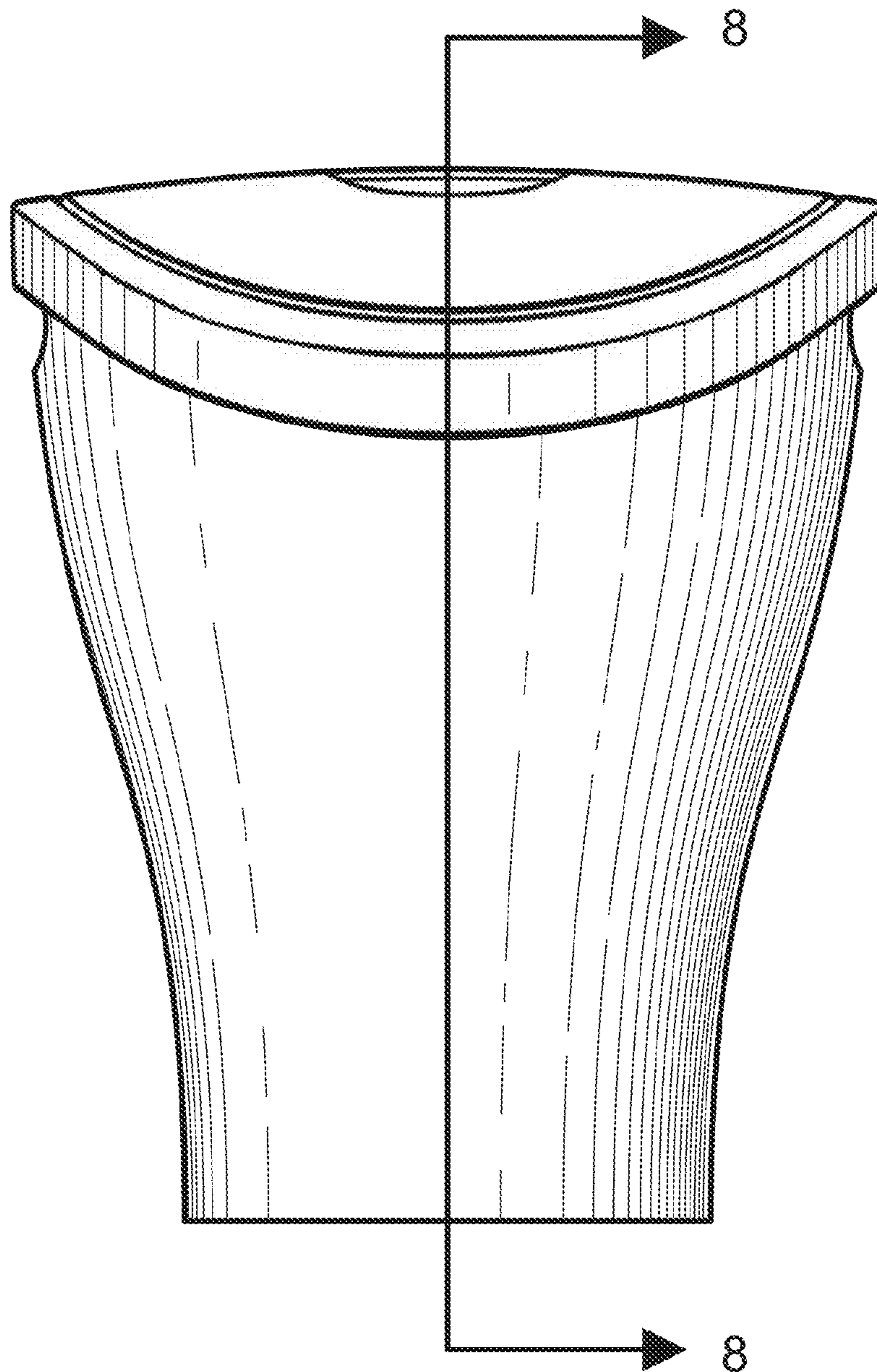


Fig. 2

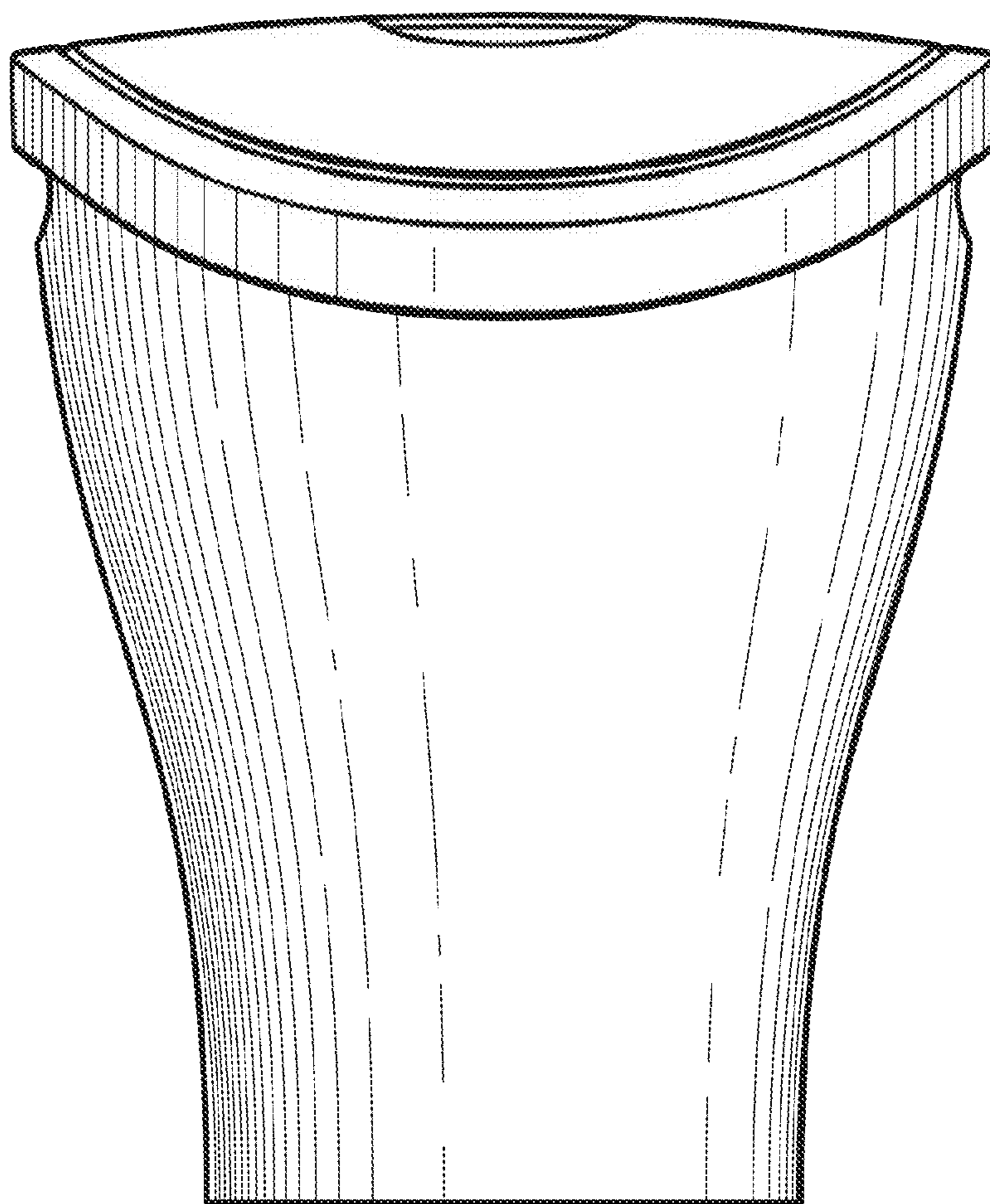


Fig. 3

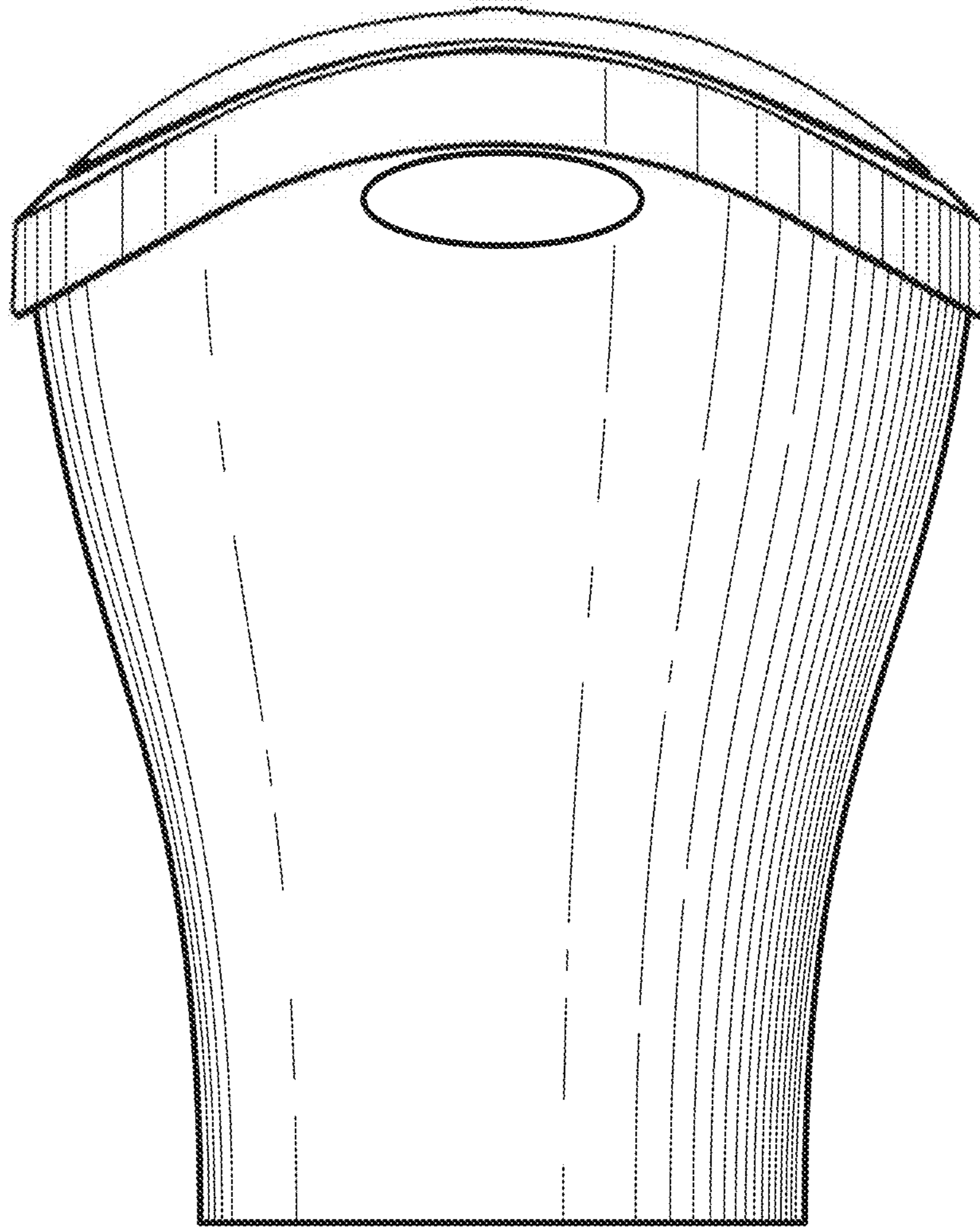


Fig. 4

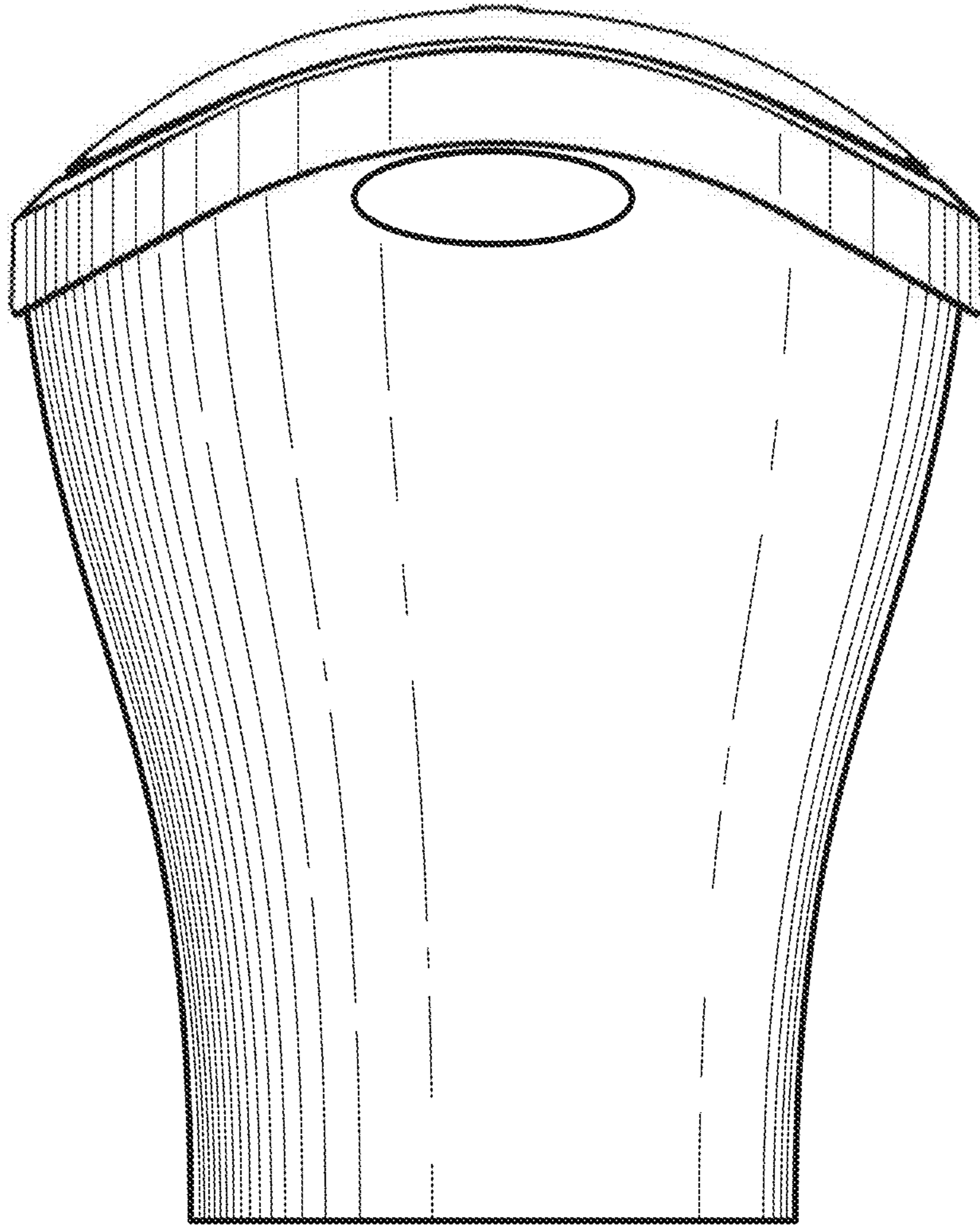


Fig. 5

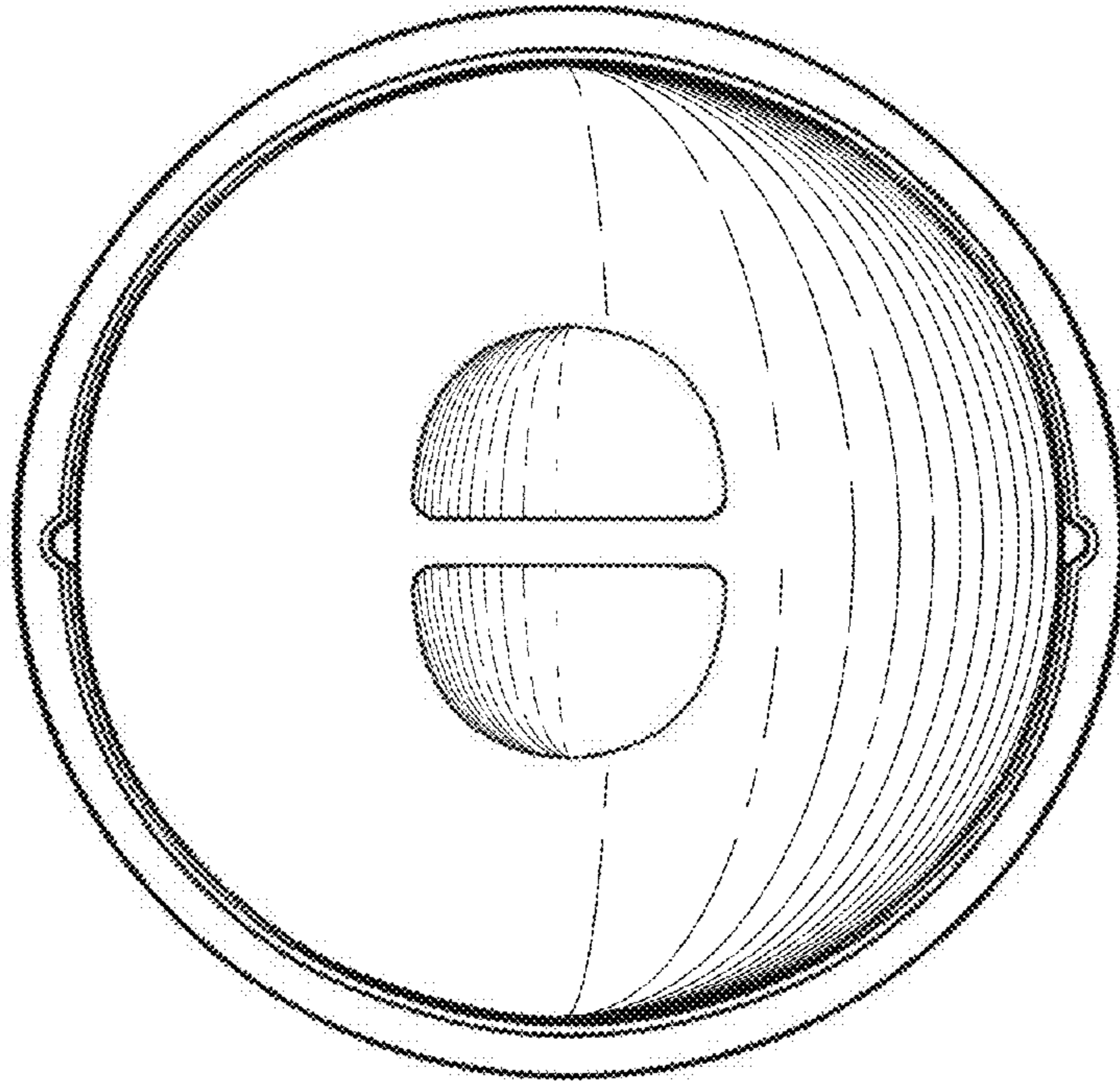


Fig. 6

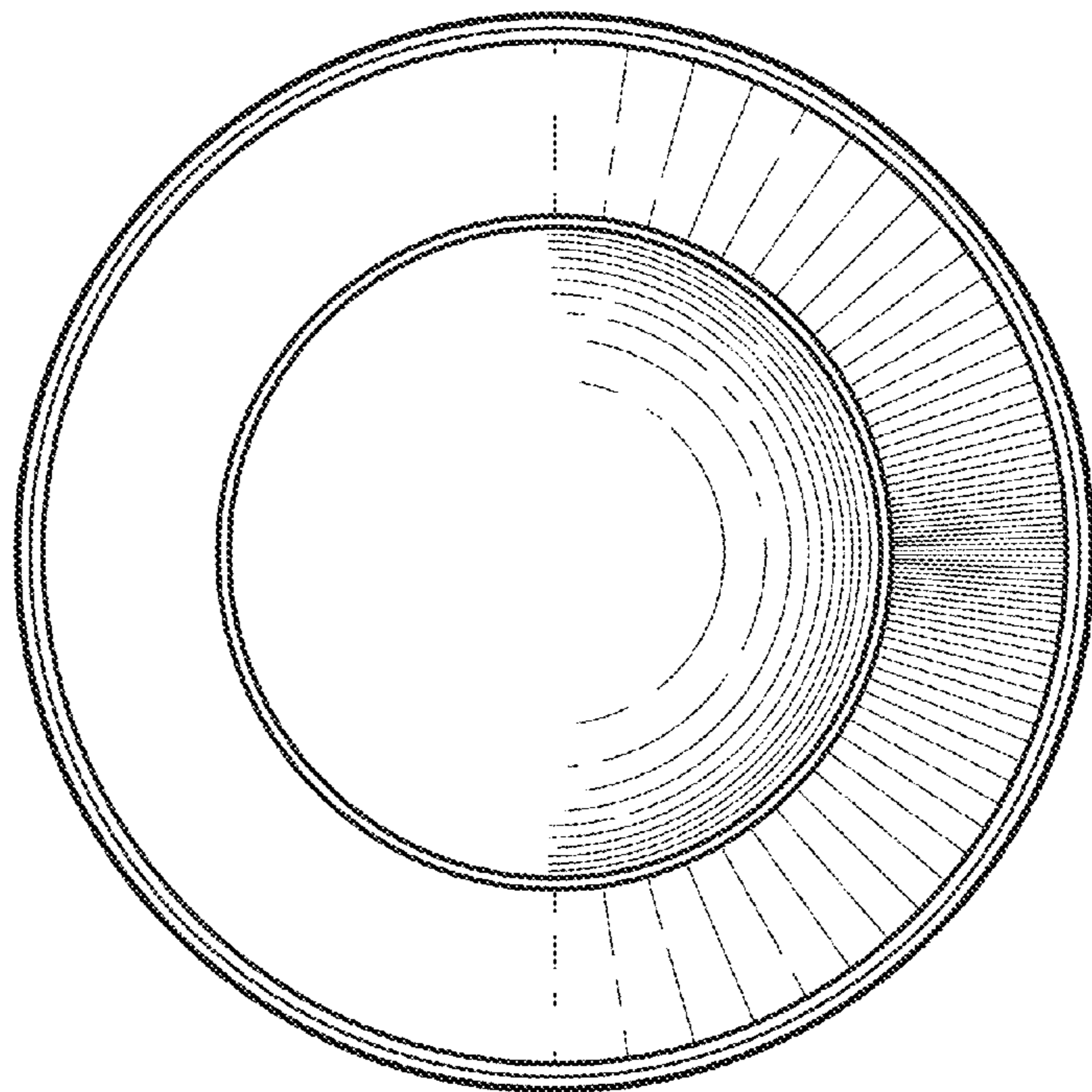


Fig. 7

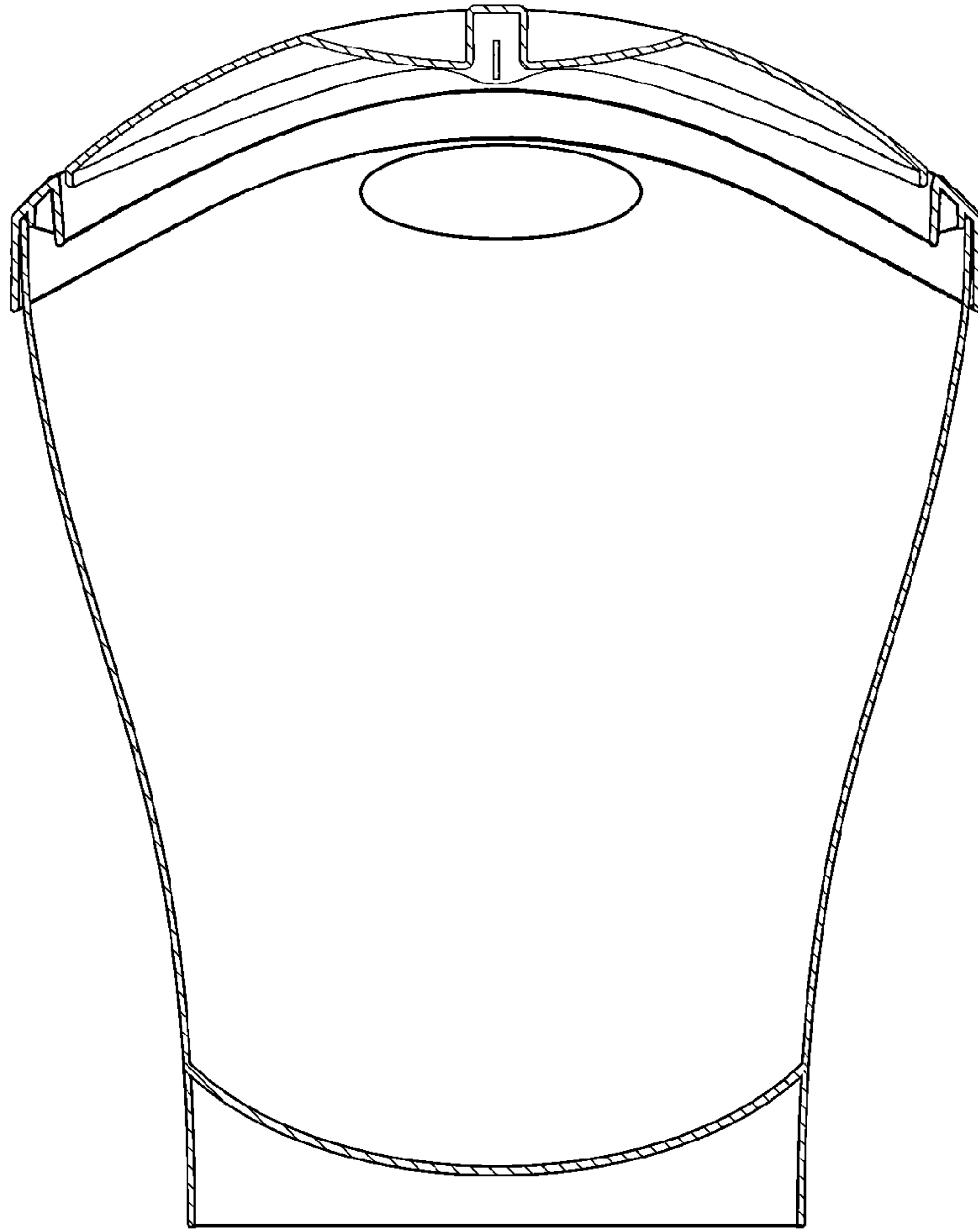


Fig. 8