



US00D683511S

(12) **United States Design Patent**
Fascitelli

(10) **Patent No.:** **US D683,511 S**

(45) **Date of Patent:** **** May 28, 2013**

(54) **CLOTHES HANGER BAR CLIP**

(76) Inventor: **Melanie Charlton Fascitelli**, New York,
NY (US)

(**) Term: **14 Years**

(21) Appl. No.: **29/428,158**

(22) Filed: **Jul. 26, 2012**

Related U.S. Application Data

(63) Continuation of application No. 29/409,044, filed on
Dec. 20, 2011, now abandoned.

(51) **LOC (9) Cl.** **07-05**

(52) **U.S. Cl.**
USPC **D32/61**

(58) **Field of Classification Search**
USPC D32/60-61, 35, 64, 54; D8/395,
D8/373; D20/43; D26/138; D6/513, 328
See application file for complete search history.

(56) **References Cited**

U.S. PATENT DOCUMENTS

2,641,811 A * 6/1953 Morgan 24/565
D212,444 S * 10/1968 Coon D8/72
D259,912 S * 7/1981 Tontarelli D32/61
D296,729 S * 7/1988 Blanchard D6/328

5,325,570 A * 7/1994 Chin-Ho 24/530
D552,978 S * 10/2007 Liao D8/395
D555,916 S * 11/2007 Mangano
D578,781 S * 10/2008 Hansen D6/328
D621,627 S * 8/2010 Mangano D6/328
D632,954 S * 2/2011 Fitzpatrick et al. D8/395
D638,697 S * 5/2011 Zemel D8/395
2009/0188954 A1 7/2009 Mangano

* cited by examiner

Primary Examiner — Austin Murphy

(74) *Attorney, Agent, or Firm* — Patent GC, LLC

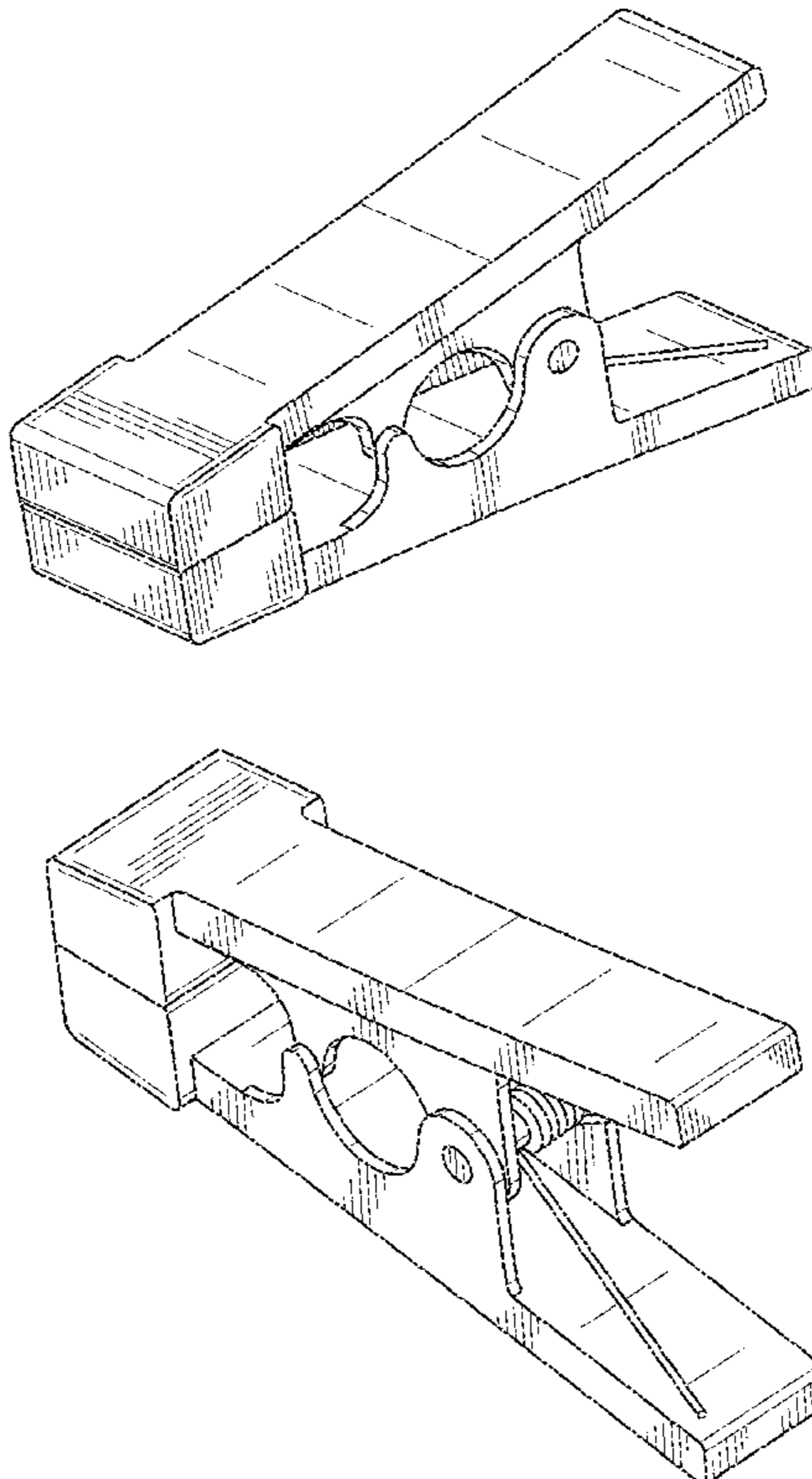
(57) **CLAIM**

The ornamental design for a clothes hanger bar clip, as shown
and described.

DESCRIPTION

FIG. 1 is perspective view of a clothes hanger bar clip show-
ing my new design;
FIG. 2 is another perspective view thereof showing the
clothes hanger clip in an alternate position;
FIG. 3 is a right side, elevational view thereof, the left side
elevational view being a mirror image thereof,
FIG. 4 is a top elevational view thereof, the bottom view being
a mirror image thereof;
FIG. 5 is a front elevational view thereof; and,
FIG. 6 is a rear elevational view thereof.

1 Claim, 3 Drawing Sheets



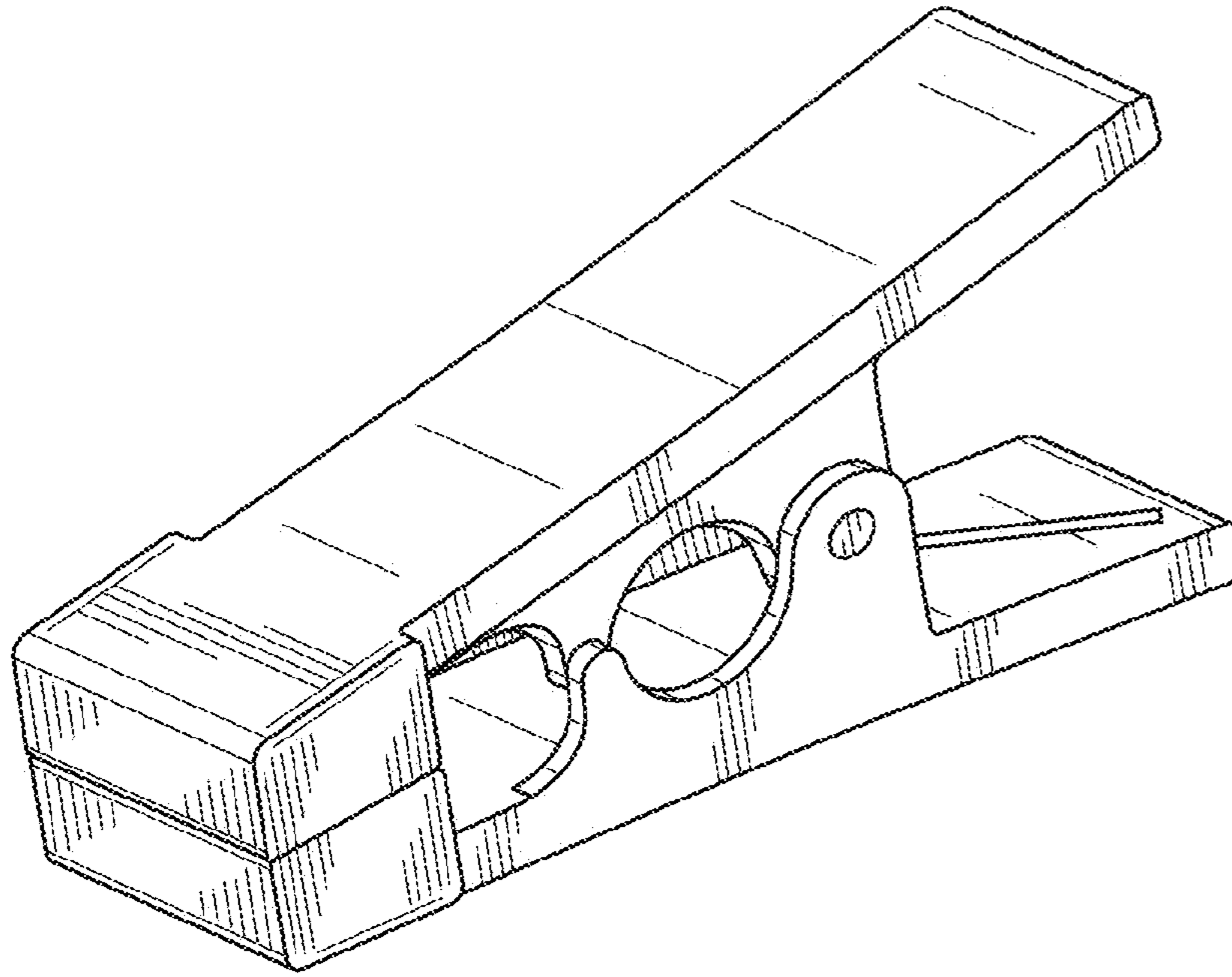


FIG. 1

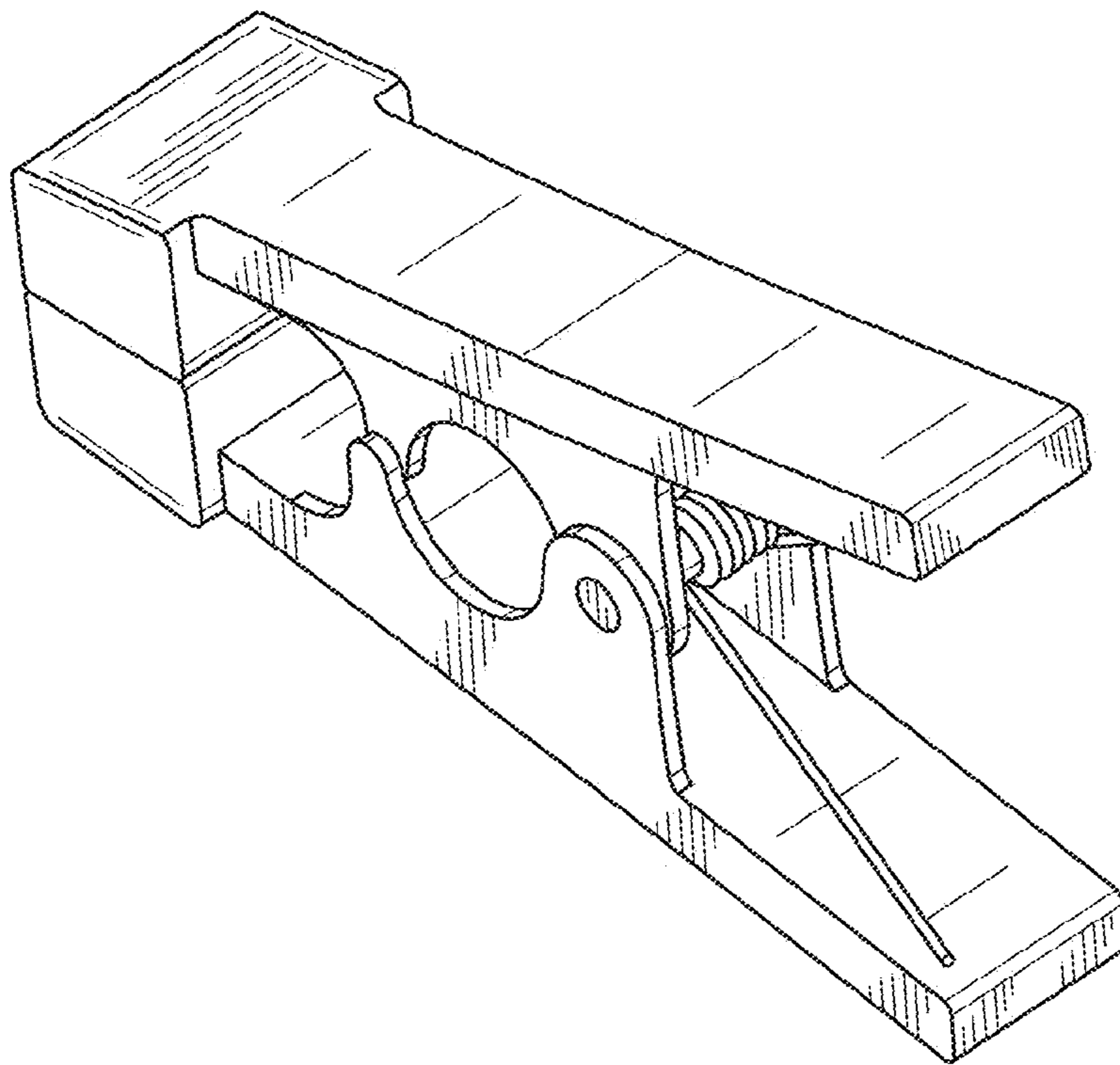


FIG. 2

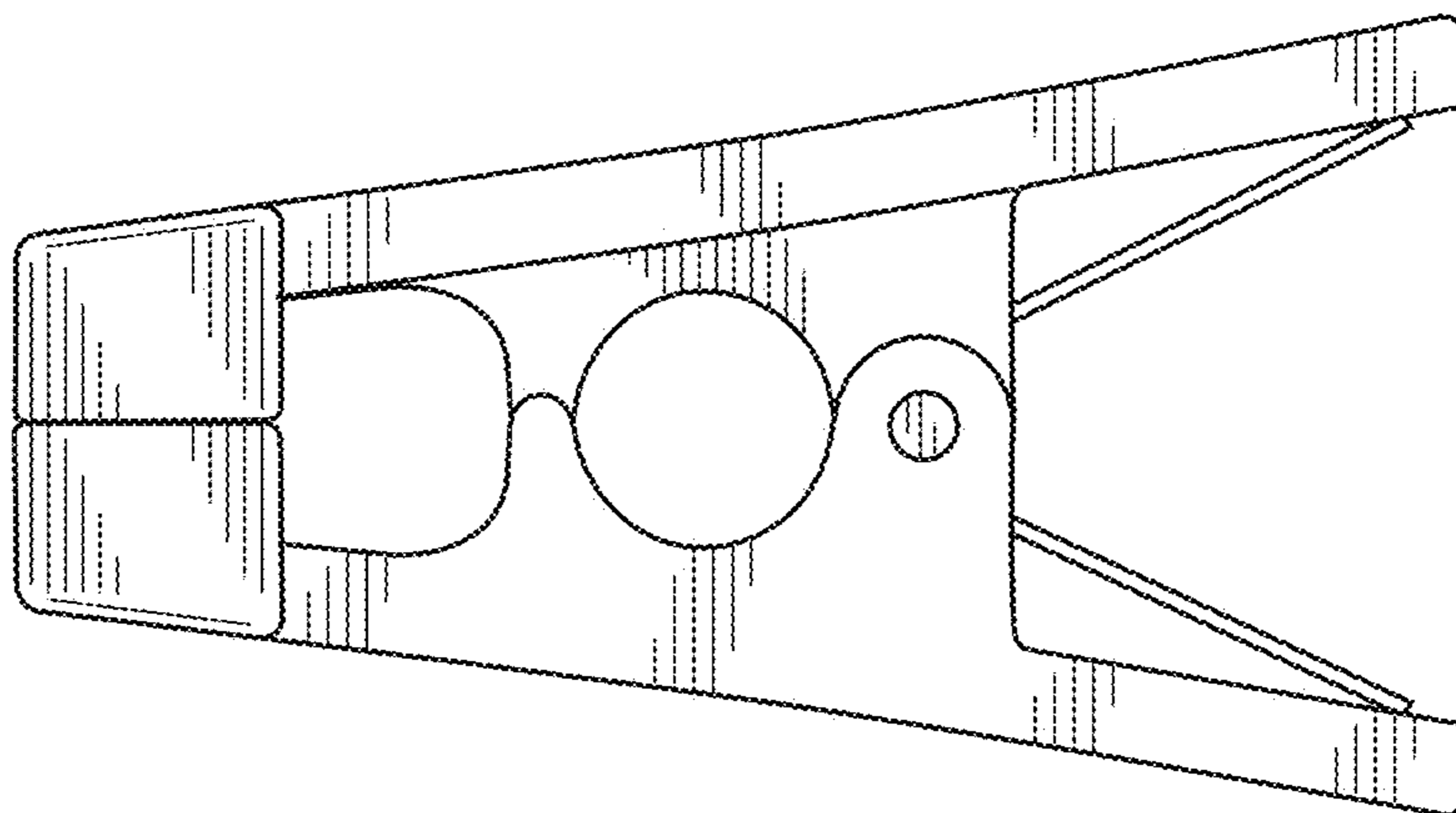


FIG. 3

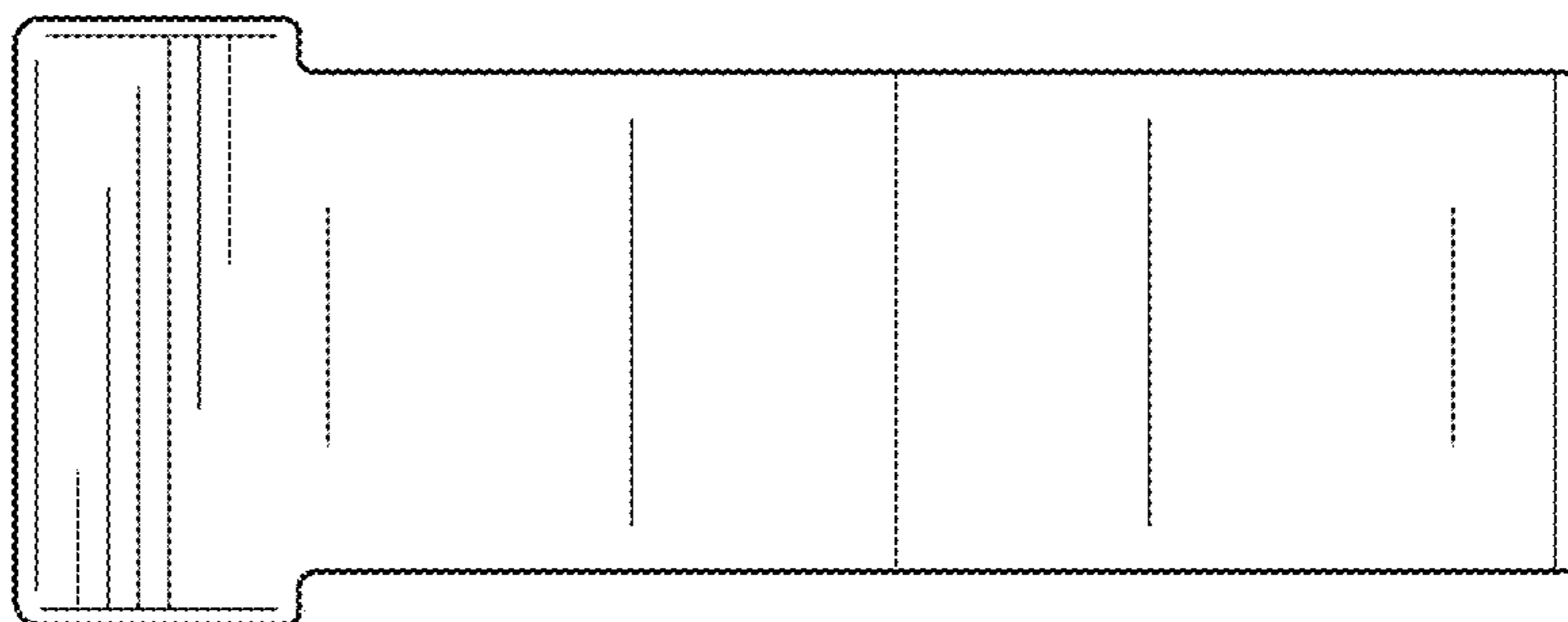


FIG. 4

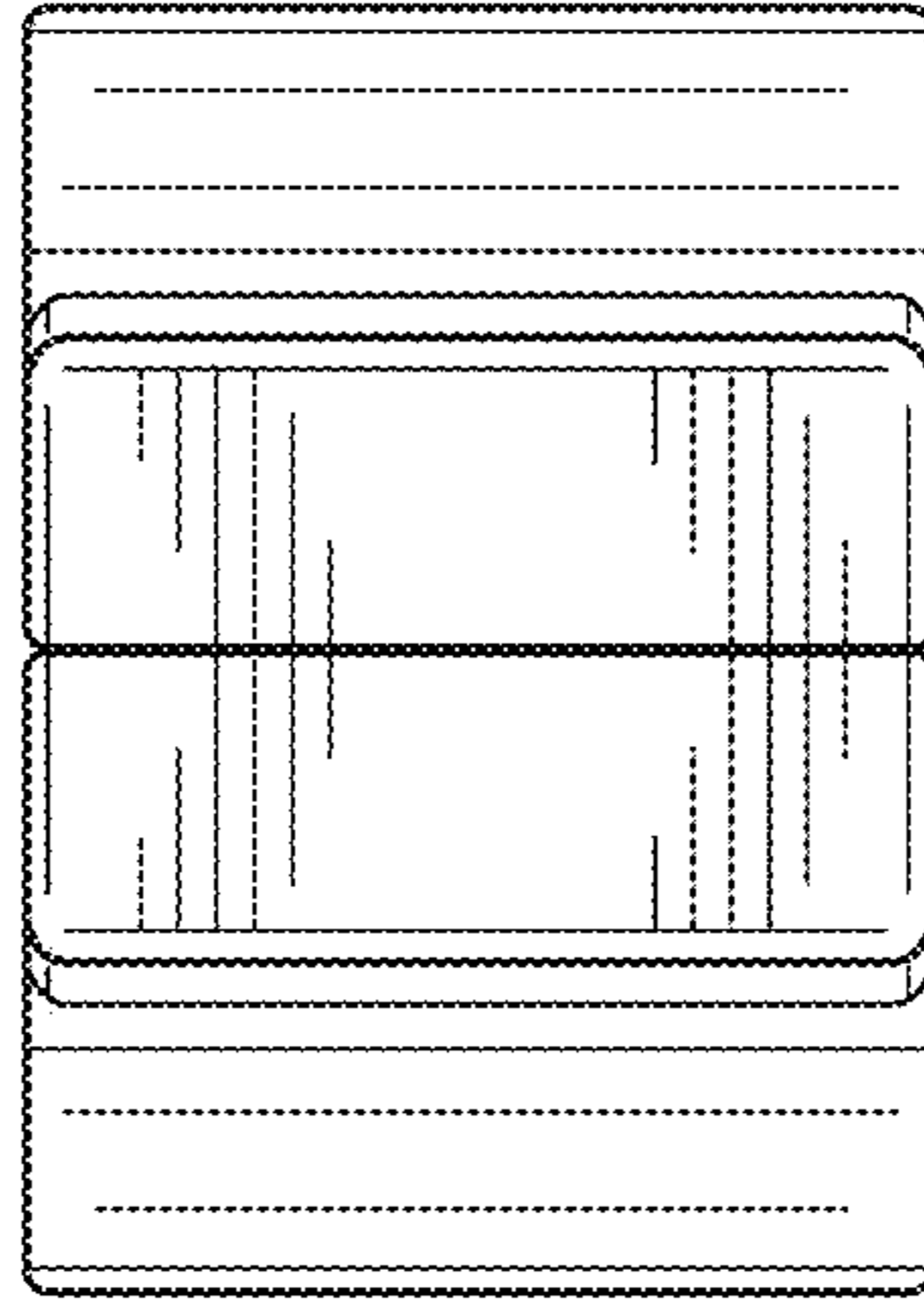


FIG. 5

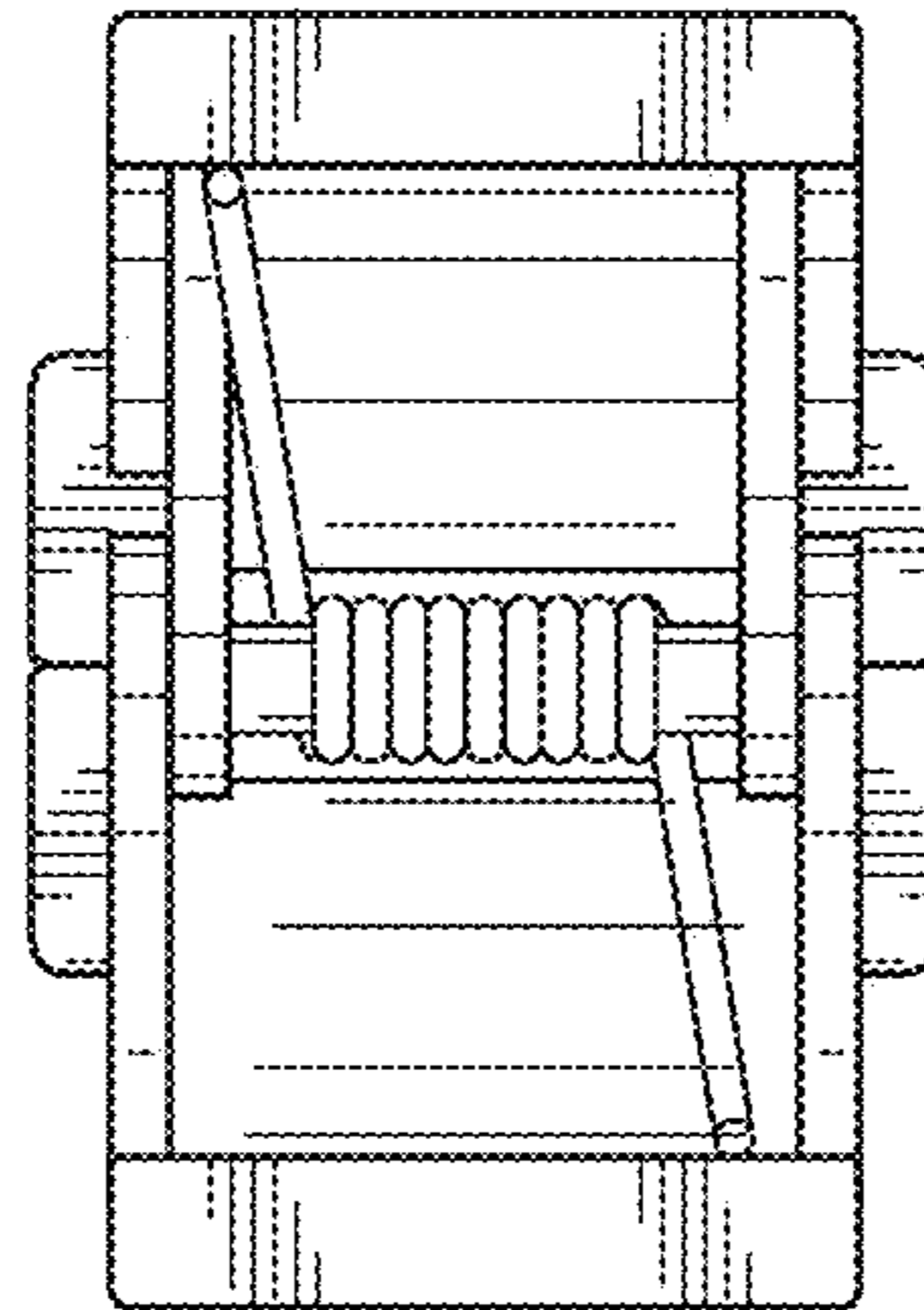


FIG. 6