



US00D683510S

(12) **United States Design Patent**
Schick

(10) **Patent No.:** **US D683,510 S**

(45) **Date of Patent:** **** May 28, 2013**

(54) **ROUND BUCKET**

(75) Inventor: **Werner Schick**, Neuenkirchen (DE)

(73) Assignee: **Poppelmann Holding GmbH & Co. KG**, Osnarbruck (DE)

(**) Term: **14 Years**

(21) Appl. No.: **29/406,051**

(22) Filed: **Nov. 9, 2011**

(30) **Foreign Application Priority Data**

May 10, 2011 (EP) 001275028

(51) **LOC (9) Cl.** **07-07**

(52) **U.S. Cl.**
USPC **D32/53**

(58) **Field of Classification Search**
USPC D32/53-54; 15/260-264; 220/904
See application file for complete search history.

(56) **References Cited**

U.S. PATENT DOCUMENTS

3,804,289	A	*	4/1974	Churan	220/782
D289,455	S	*	4/1987	Freiler	D32/53
D292,836	S	*	11/1987	Juergens	D32/53
D312,157	S	*	11/1990	Sjolander	D32/53
D417,326	S	*	11/1999	Greene	D32/53
D493,929	S	*	8/2004	Schwarz	D32/53
D590,561	S	*	4/2009	Baltz	D32/53
D593,269	S	*	5/2009	Weiler	D32/53

* cited by examiner

Primary Examiner — Robin V Webster

(74) *Attorney, Agent, or Firm* — Husch Blackwell LLP;
Robert C. Haldiman; H. Frederick Rusche

(57) **CLAIM**

The ornamental design for a round bucket, as shown and described.

DESCRIPTION

FIG. 1 is a front perspective view of the round bucket show a first embodiment of my new design;
 FIG. 2 is a top view without the lid thereof;
 FIG. 3 is a top view with the lid thereof;
 FIG. 4 is a rear view thereof;
 FIG. 5 is a side view thereof;
 FIG. 6 is the opposite side view thereof;
 FIG. 7 is a front view thereof;
 FIG. 8 is a front perspective view of a second embodiment thereof;
 FIG. 9 is a top view without the lid thereof;
 FIG. 10 is a top view with lid thereof;
 FIG. 11 is a rear view thereof;
 FIG. 12 is a side view thereof;
 FIG. 13 is the opposite side view thereof;
 FIG. 14 is a front view thereof;
 FIG. 15 is a front perspective view of a third embodiment thereof;
 FIG. 16 is a top view without the lid thereof;
 FIG. 17 is a top view with the lid thereof;
 FIG. 18 is a rear view thereof;
 FIG. 19 is a side view thereof;
 FIG. 20 is the opposite side view thereof;
 FIG. 21 is a front view thereof;
 FIG. 22 is a front perspective view of a fourth embodiment thereof;
 FIG. 23 is a top view without the lid thereof;
 FIG. 24 is a top view with the lid thereof;
 FIG. 25 is a rear view thereof;
 FIG. 26 is a side view thereof;
 FIG. 27 is the opposite side view thereof; and,
 FIG. 28 is a front view thereof.

1 Claim, 28 Drawing Sheets

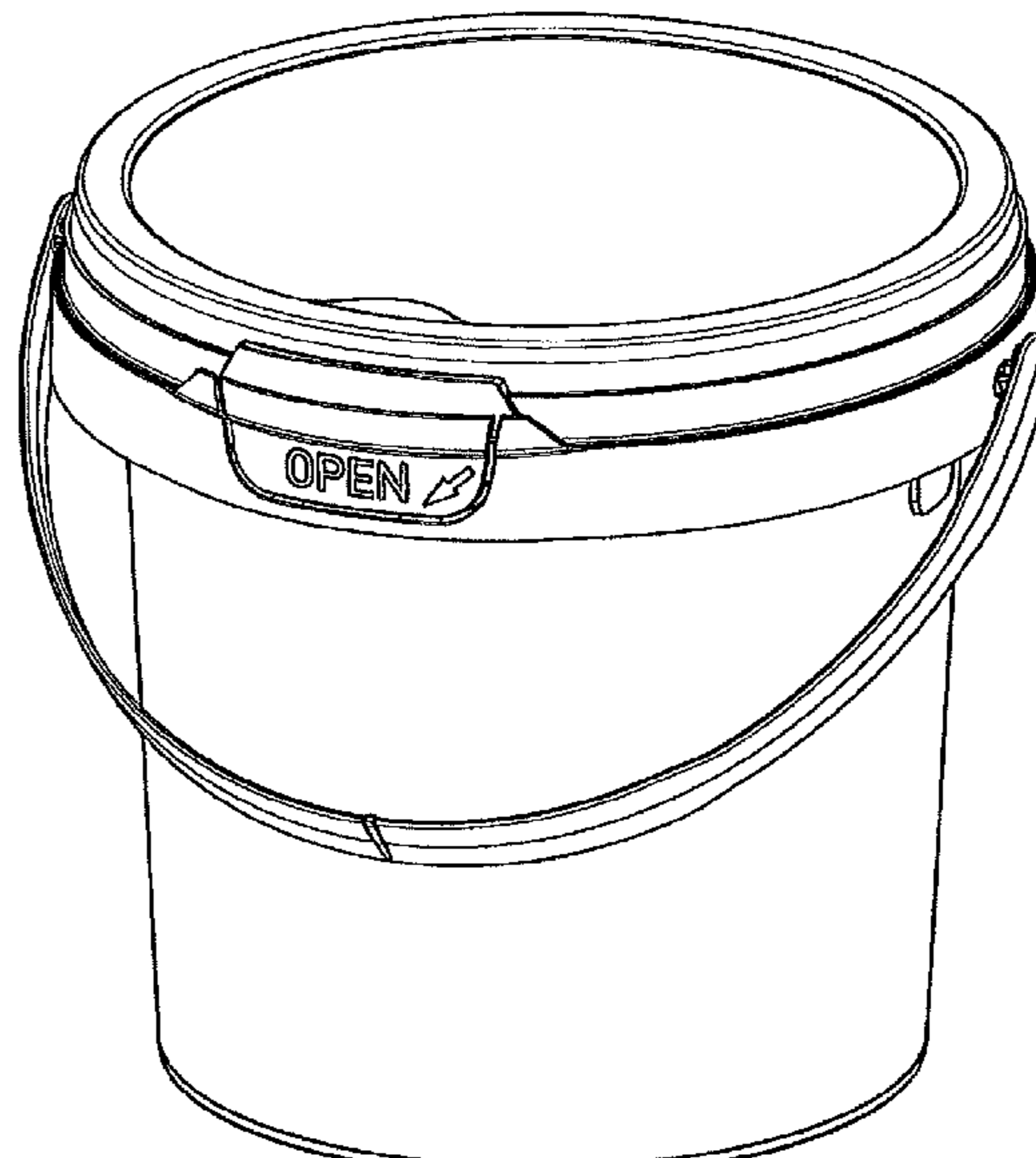


Fig. 1



Fig. 2

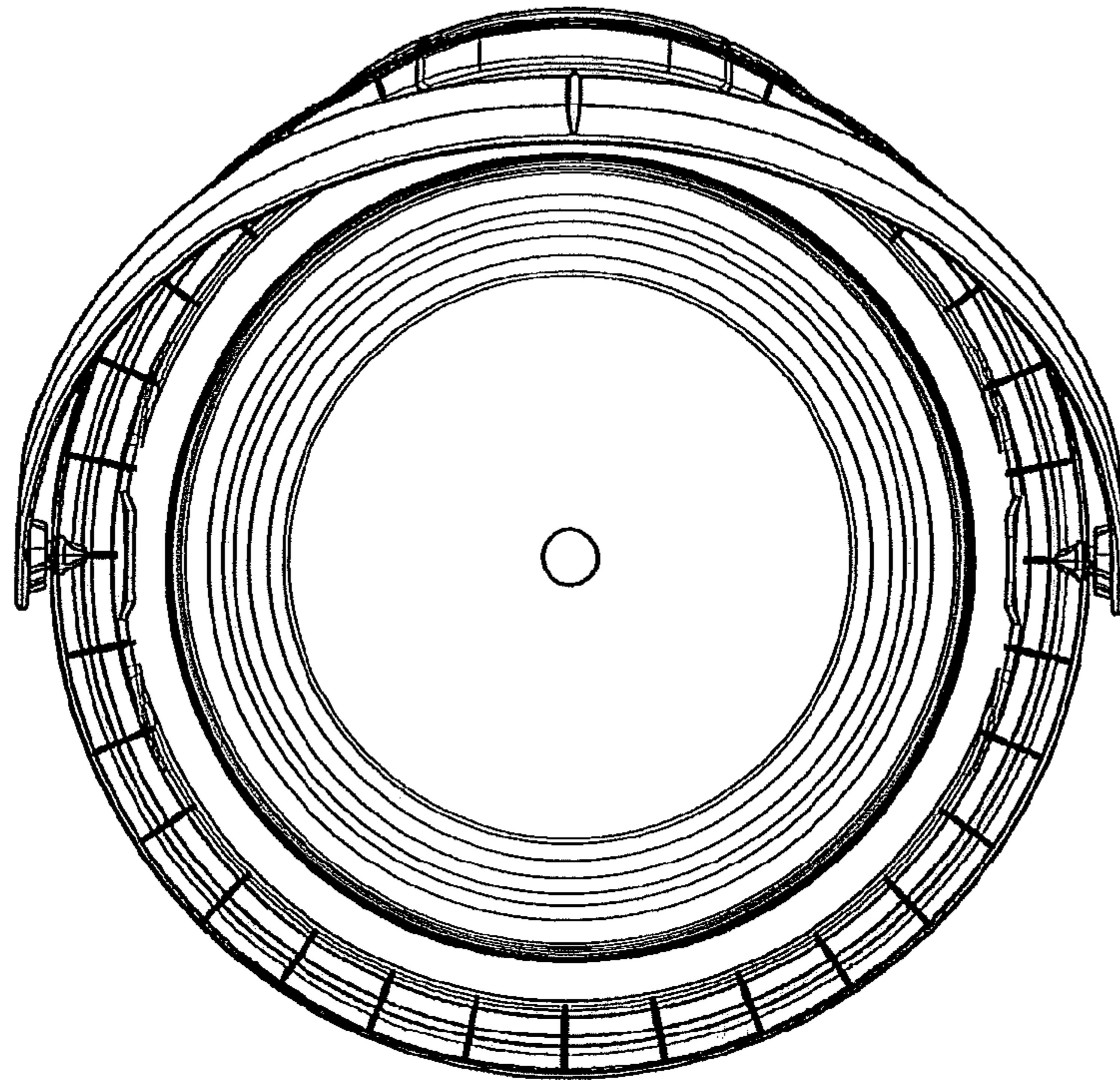


Fig. 3

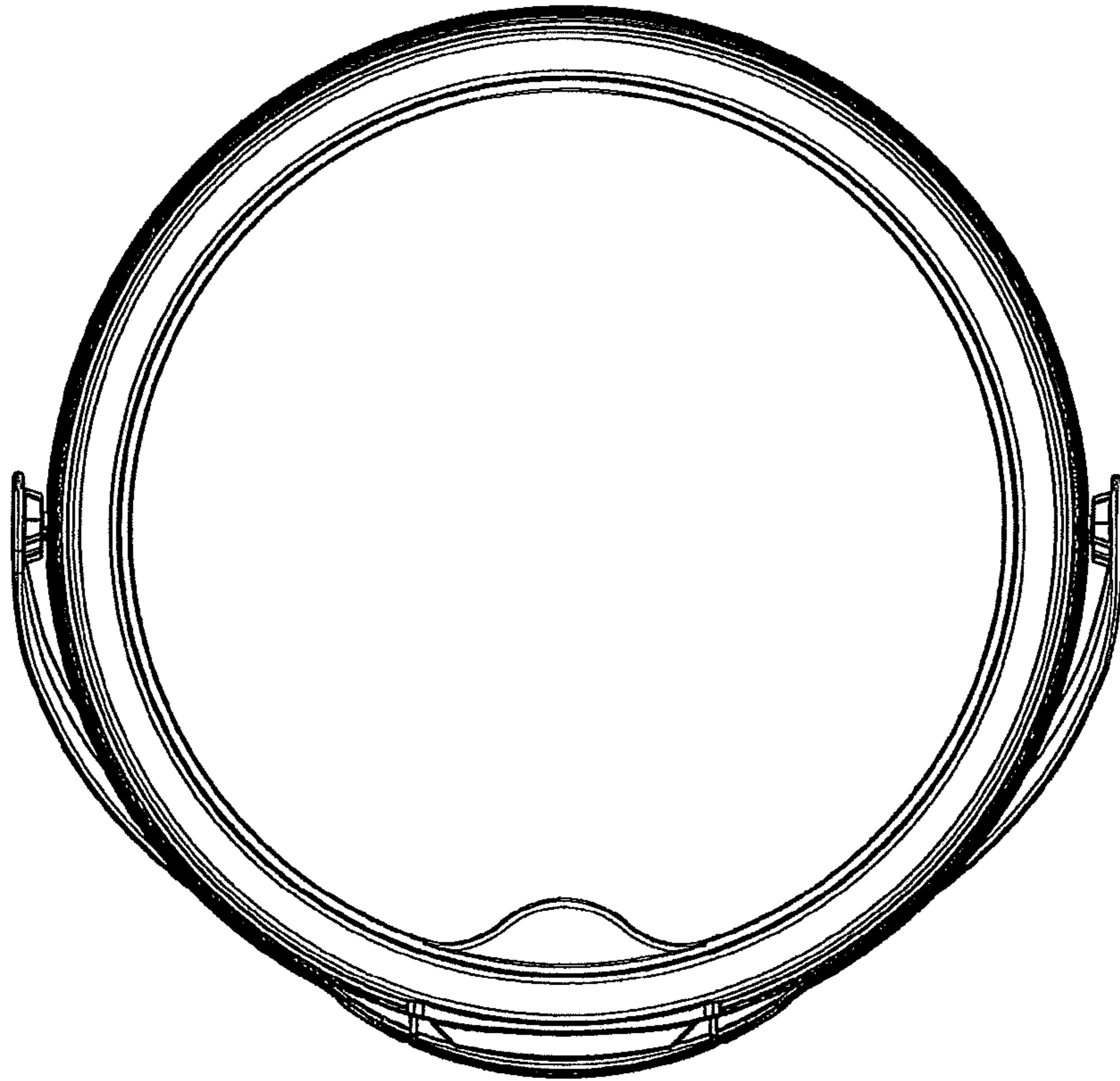


Fig. 4

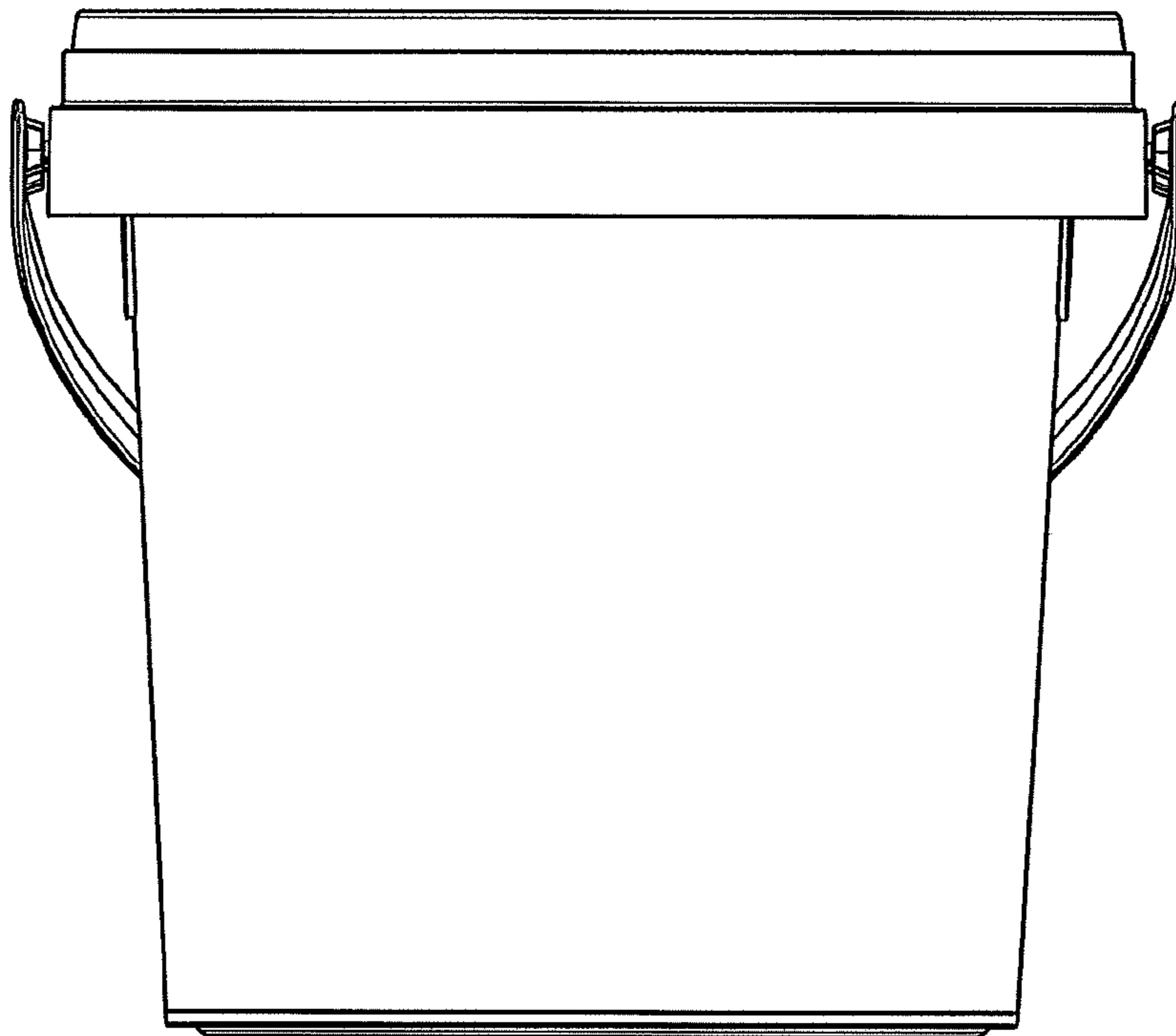


Fig. 5

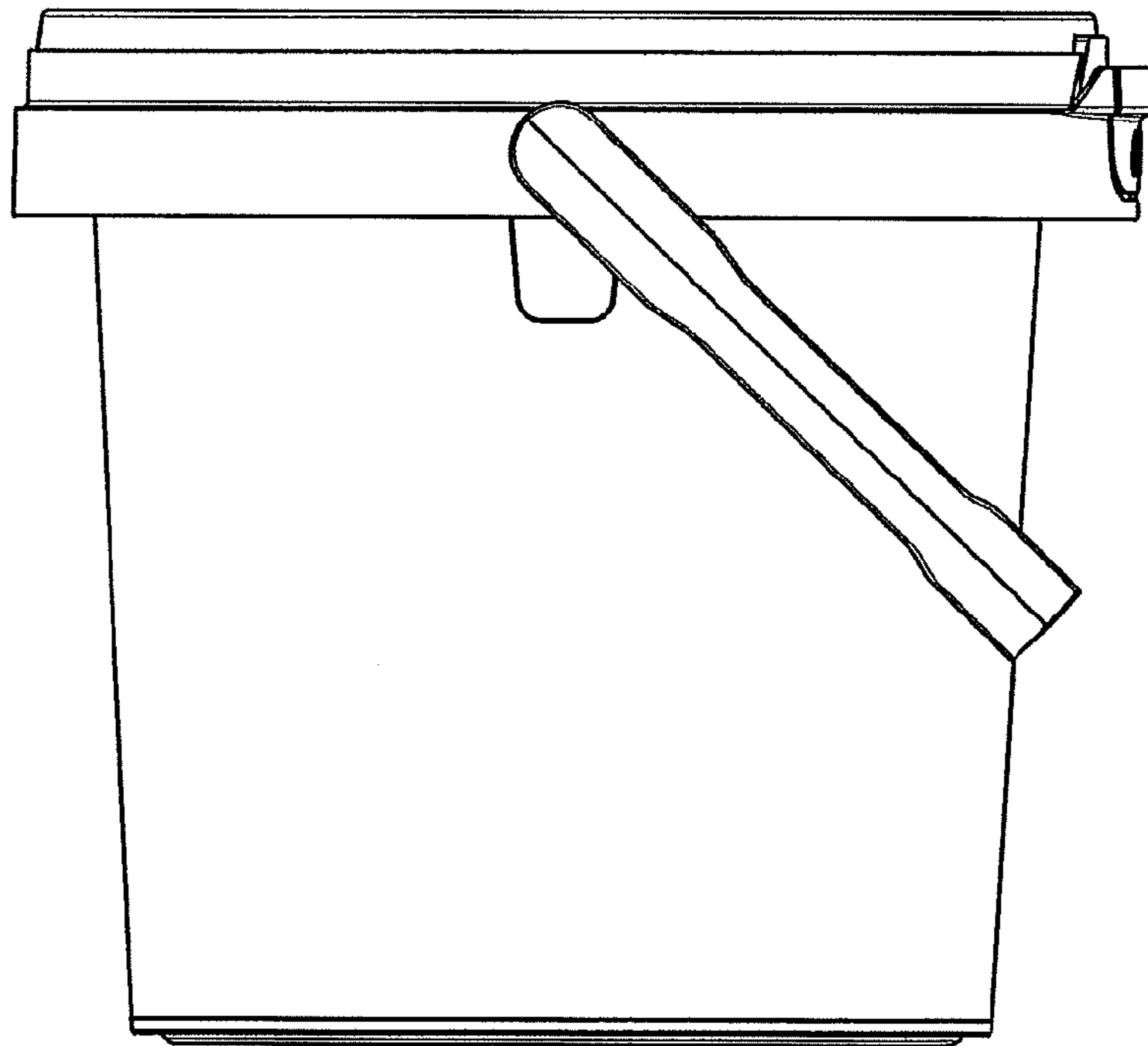


Fig. 6

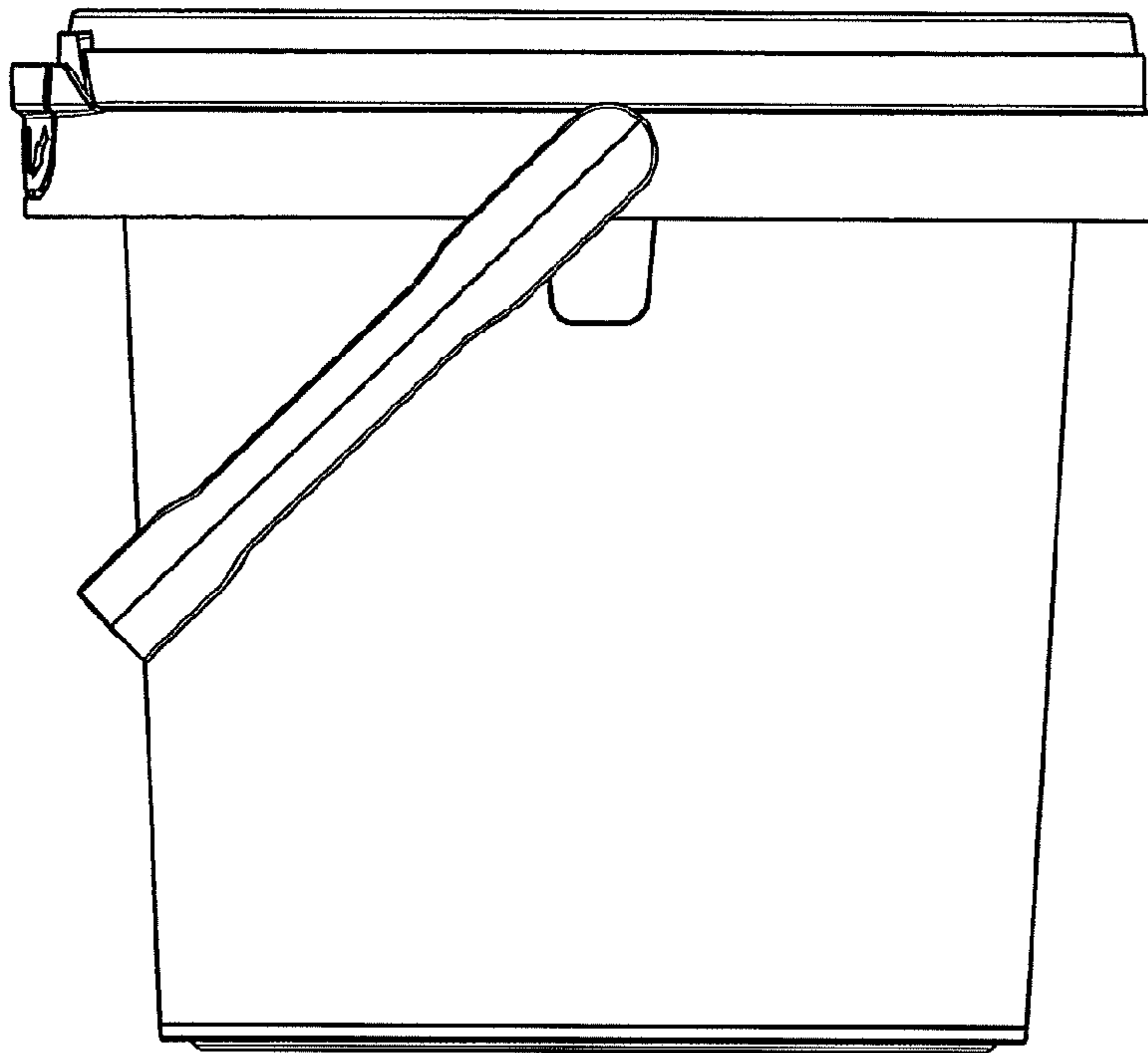


Fig. 7

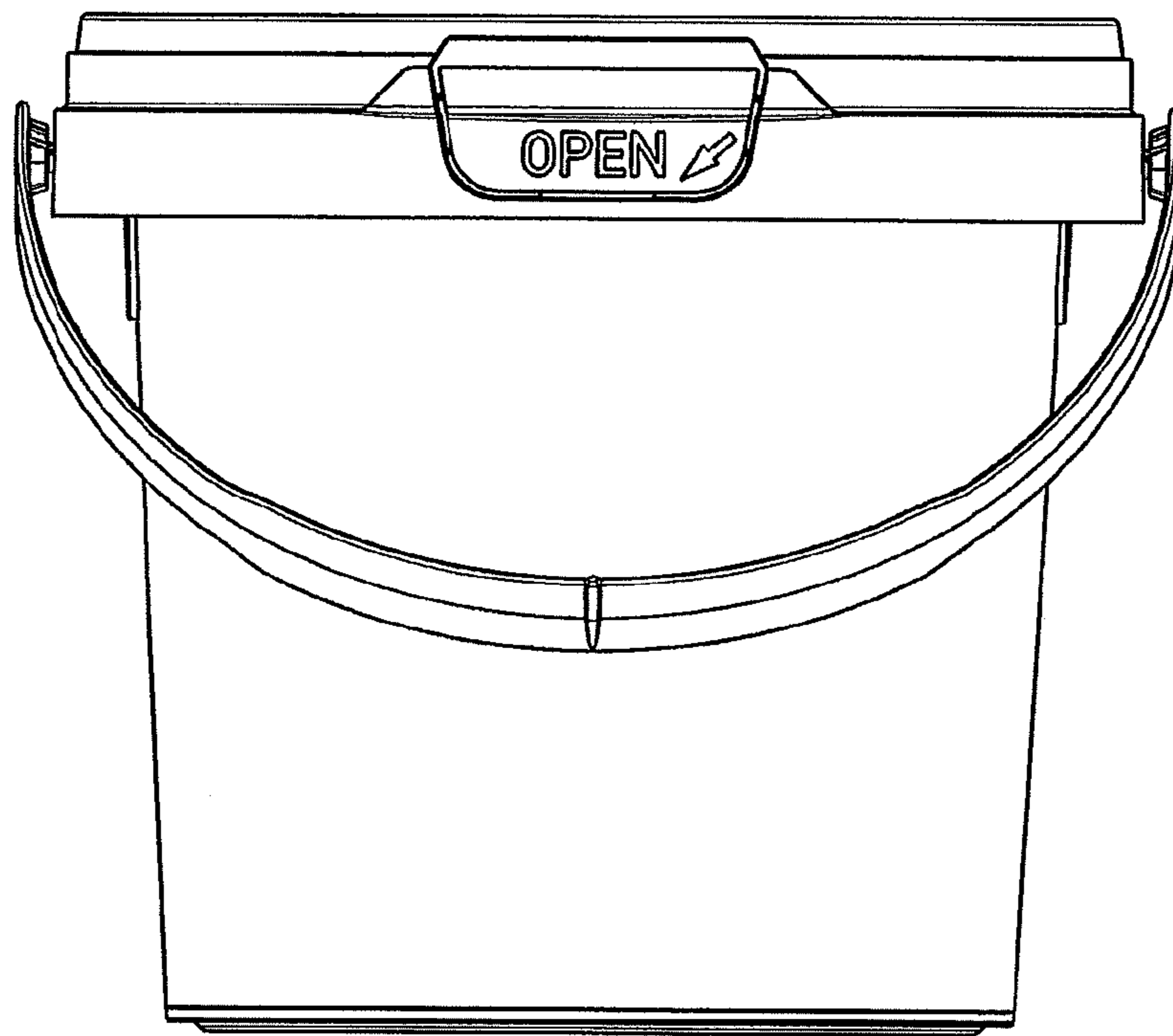


Fig. 8

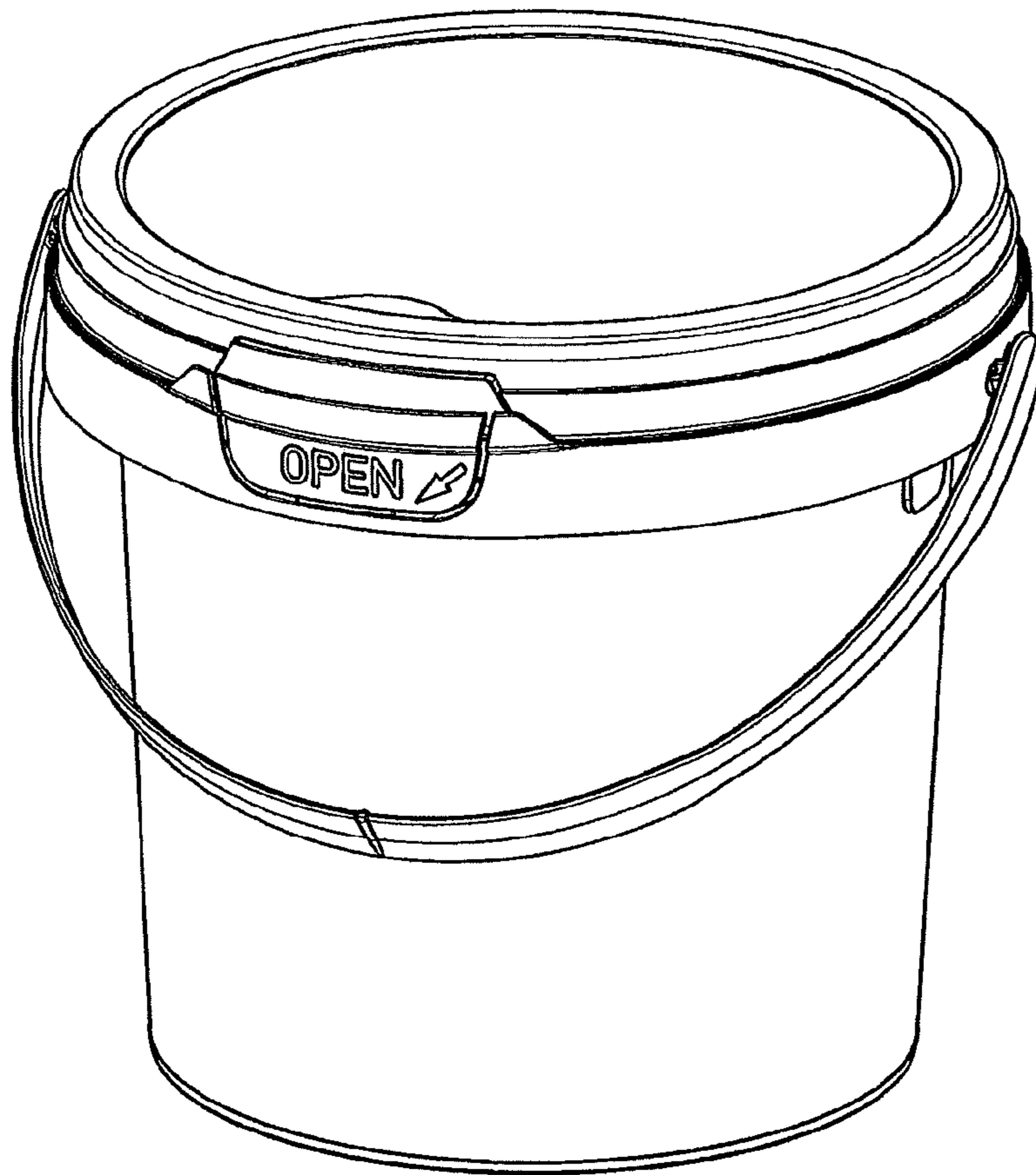


Fig. 9

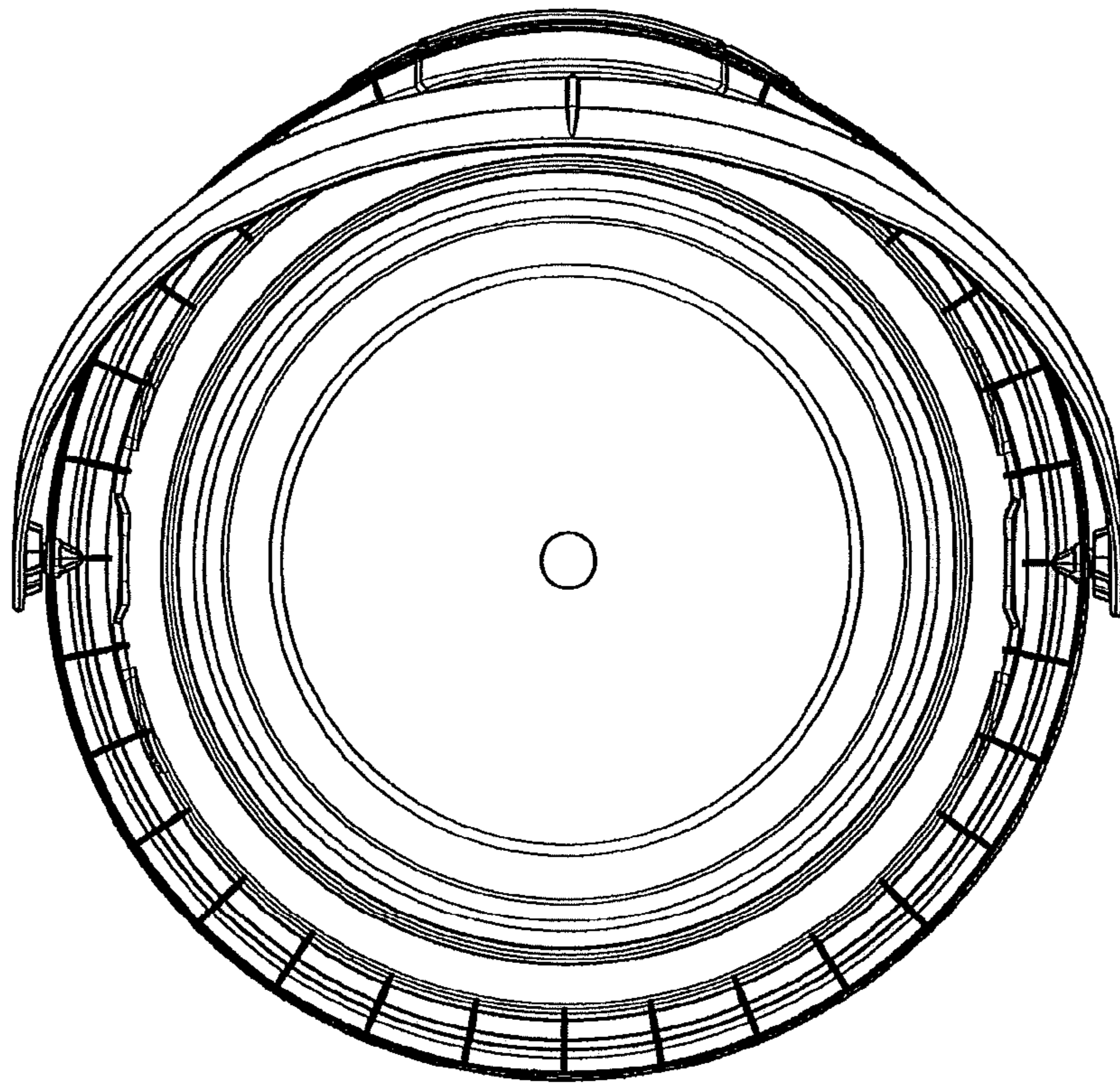


Fig. 10

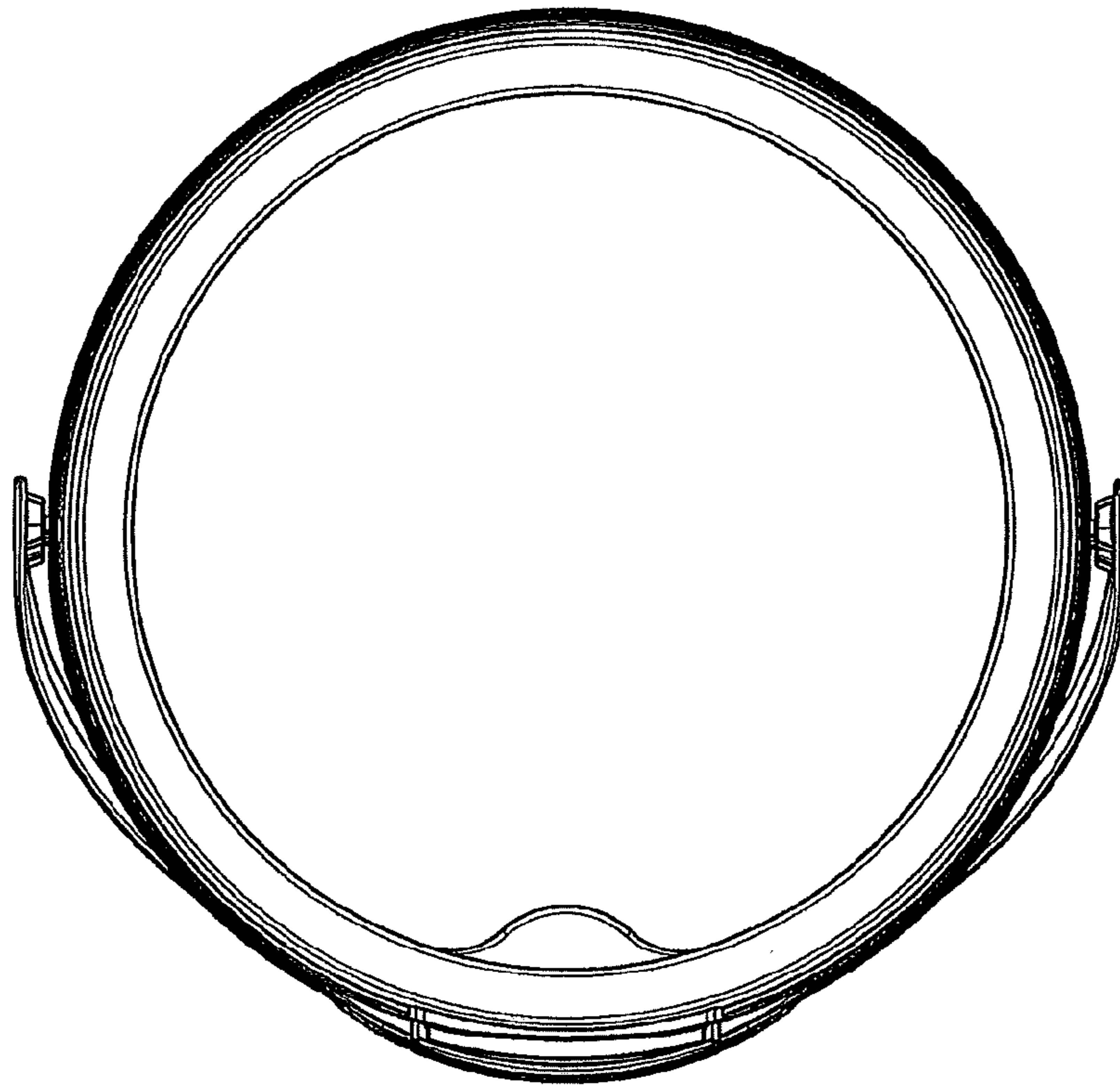


Fig. 11

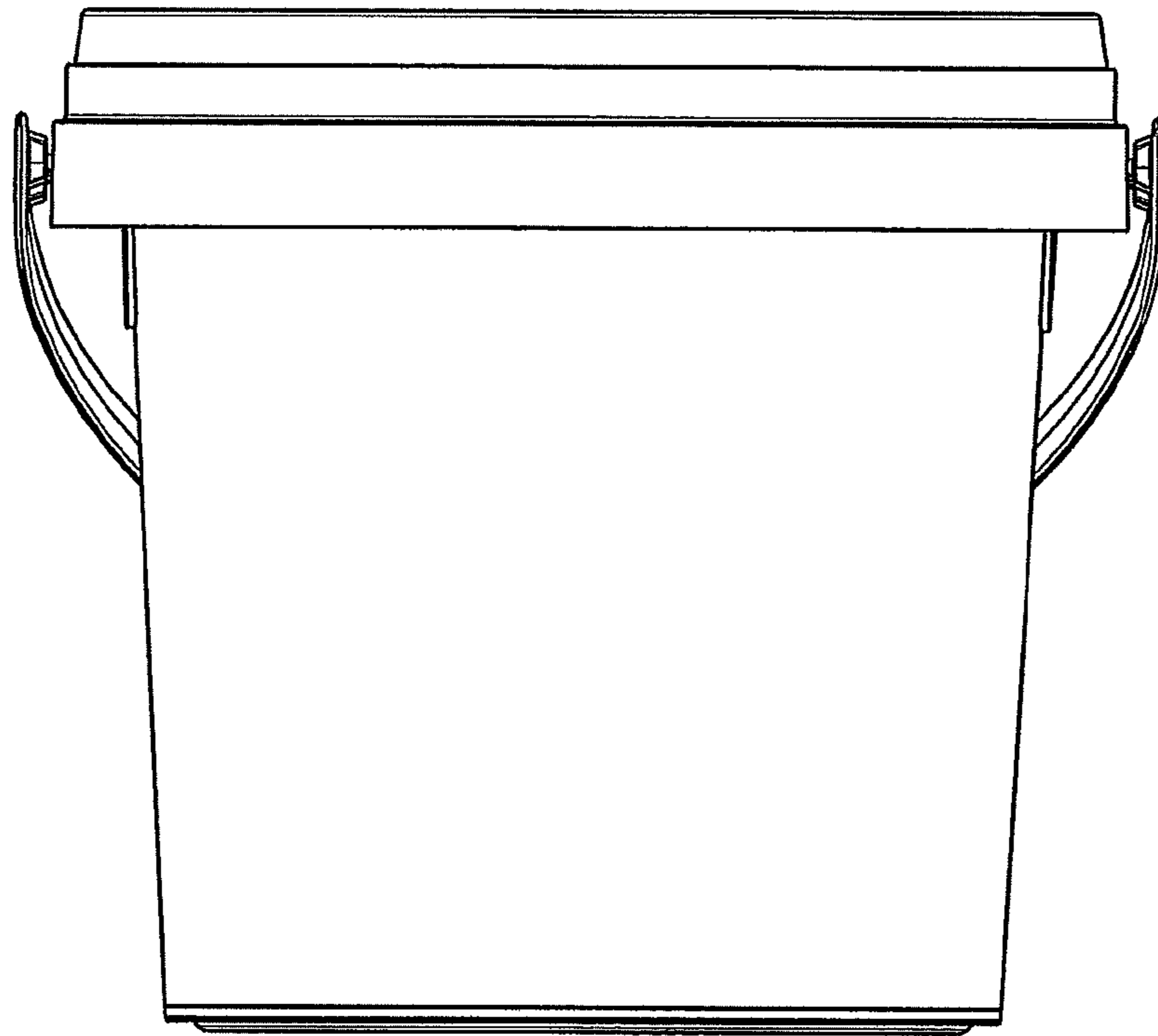


Fig. 12

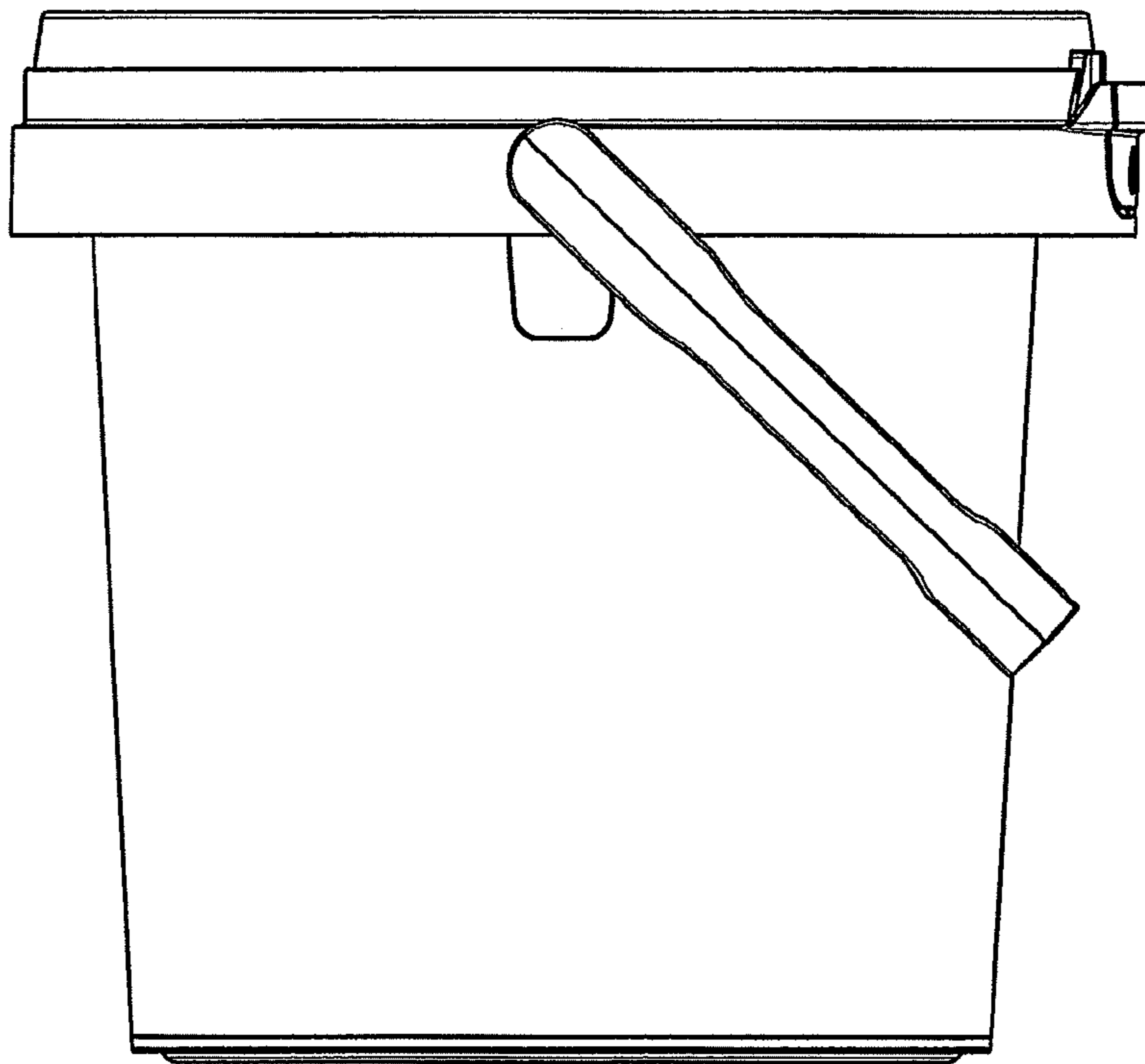


Fig. 13

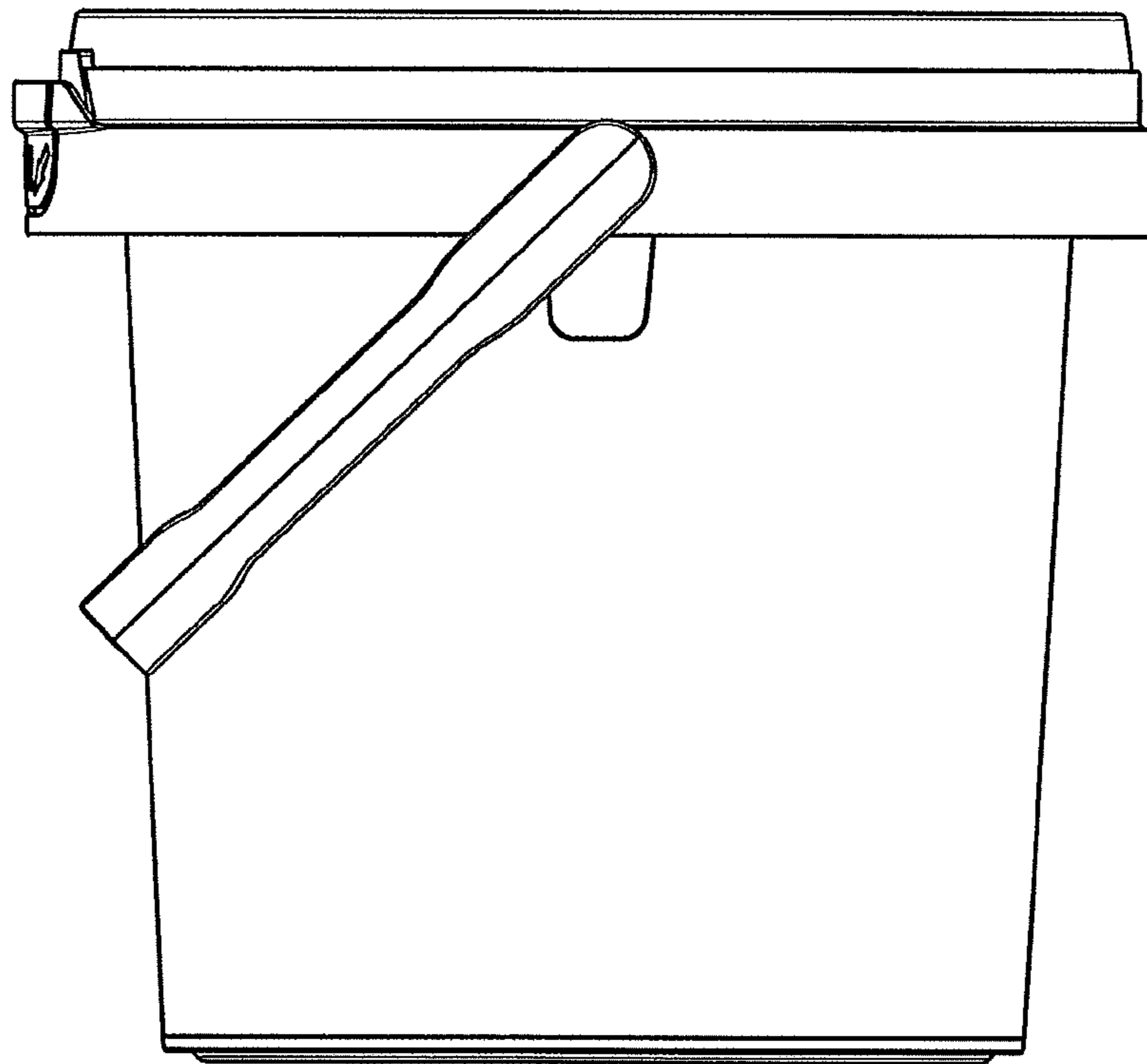


Fig. 14

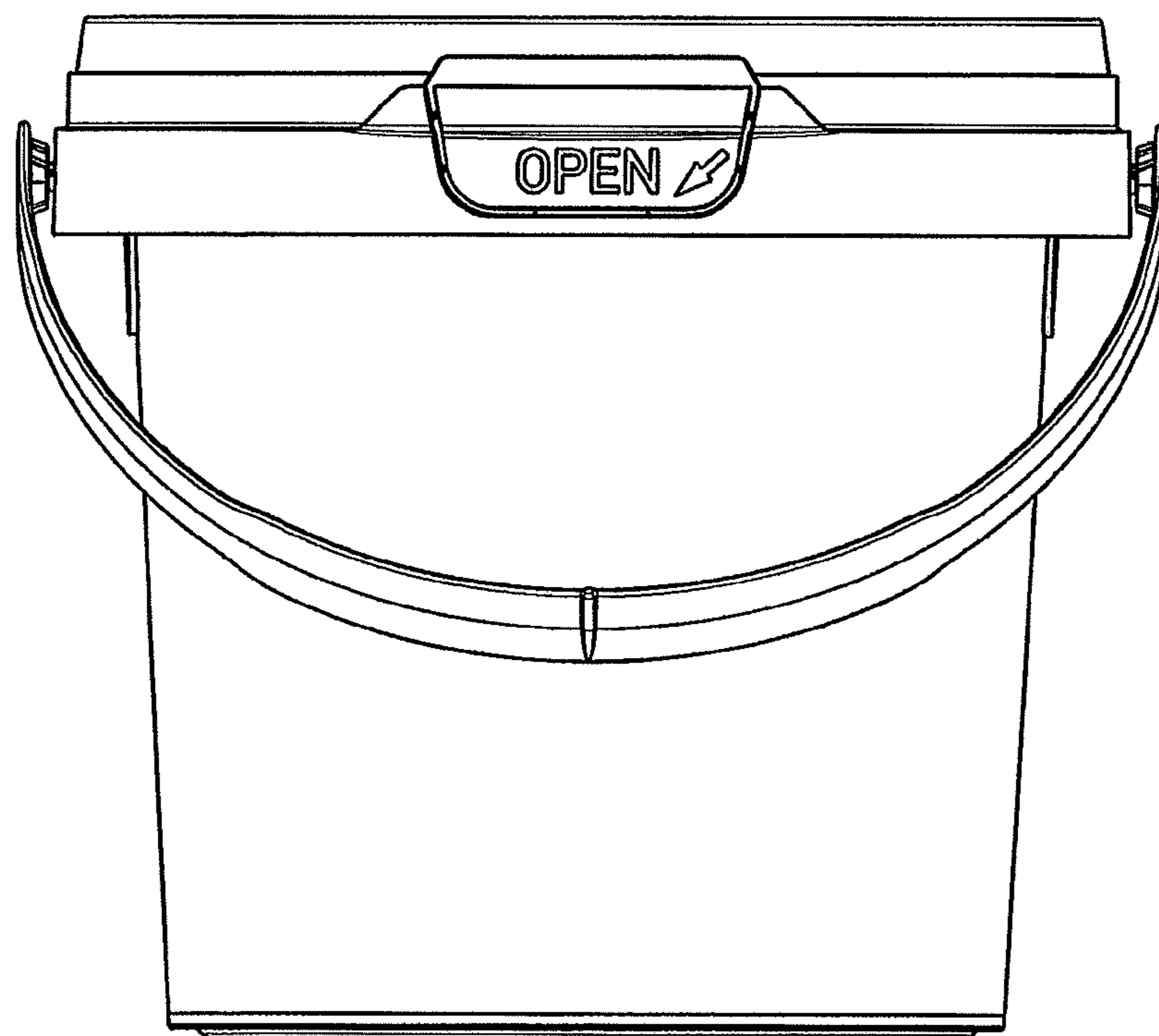


Fig. 15

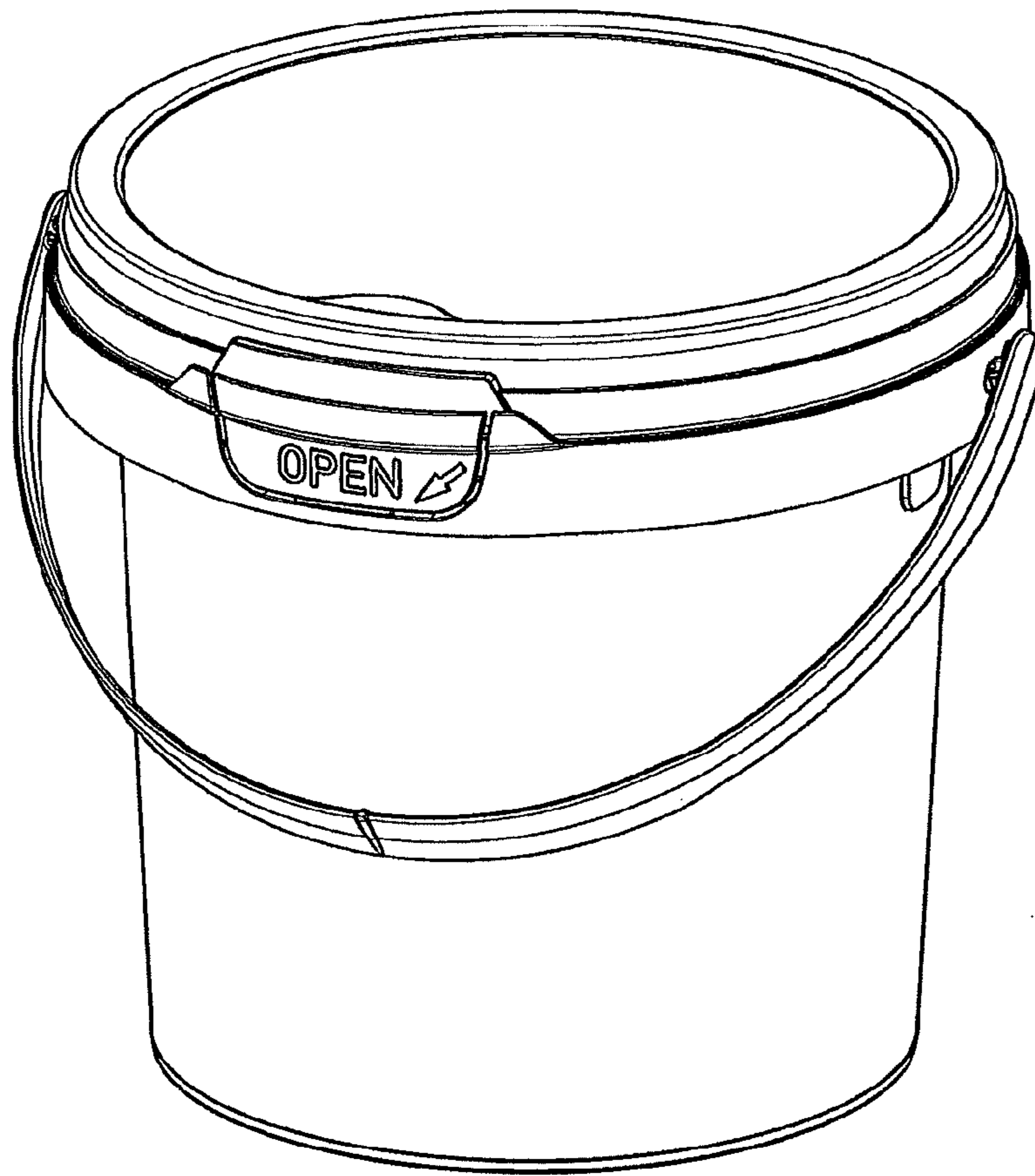


Fig. 16

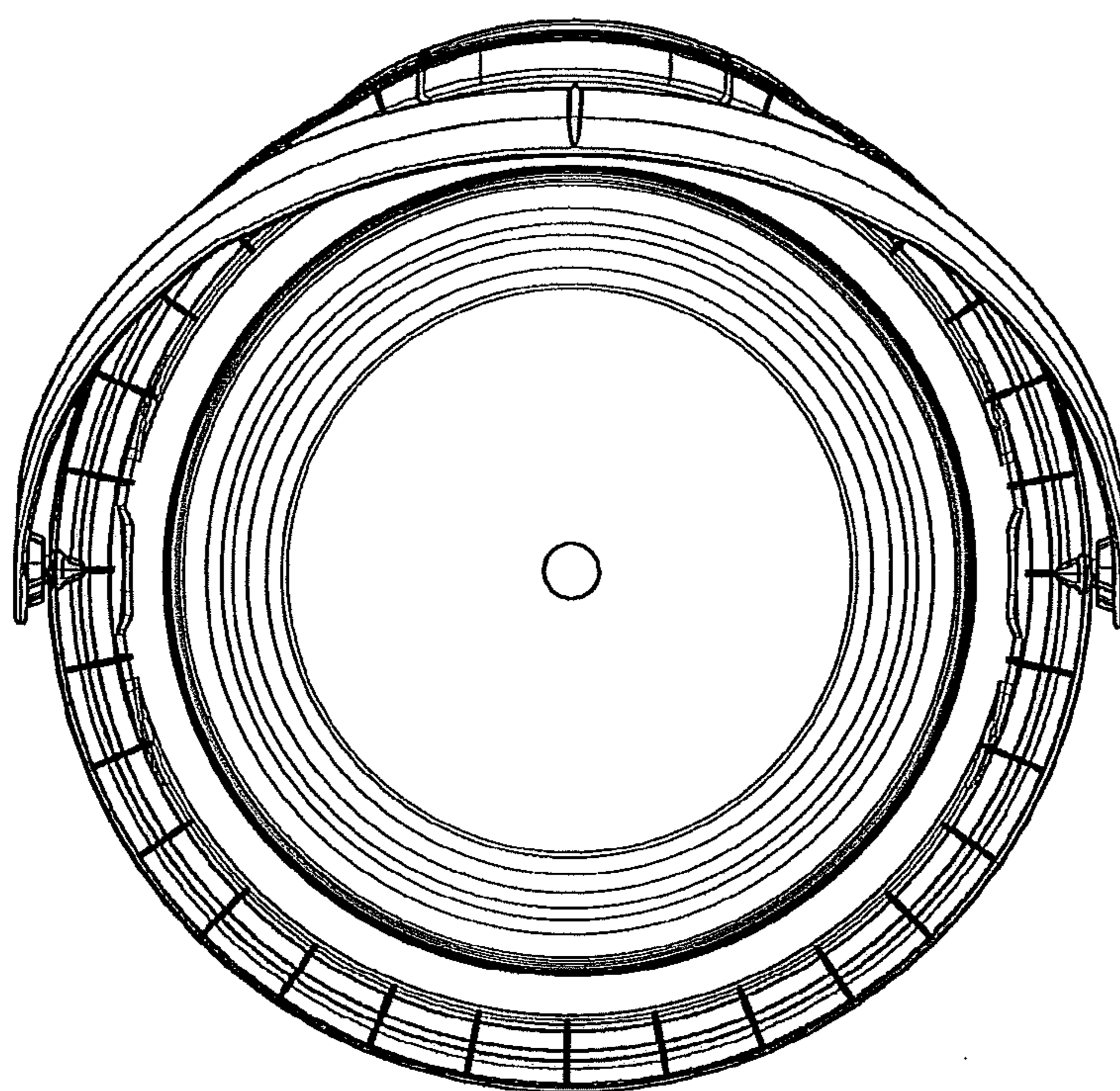


Fig. 17

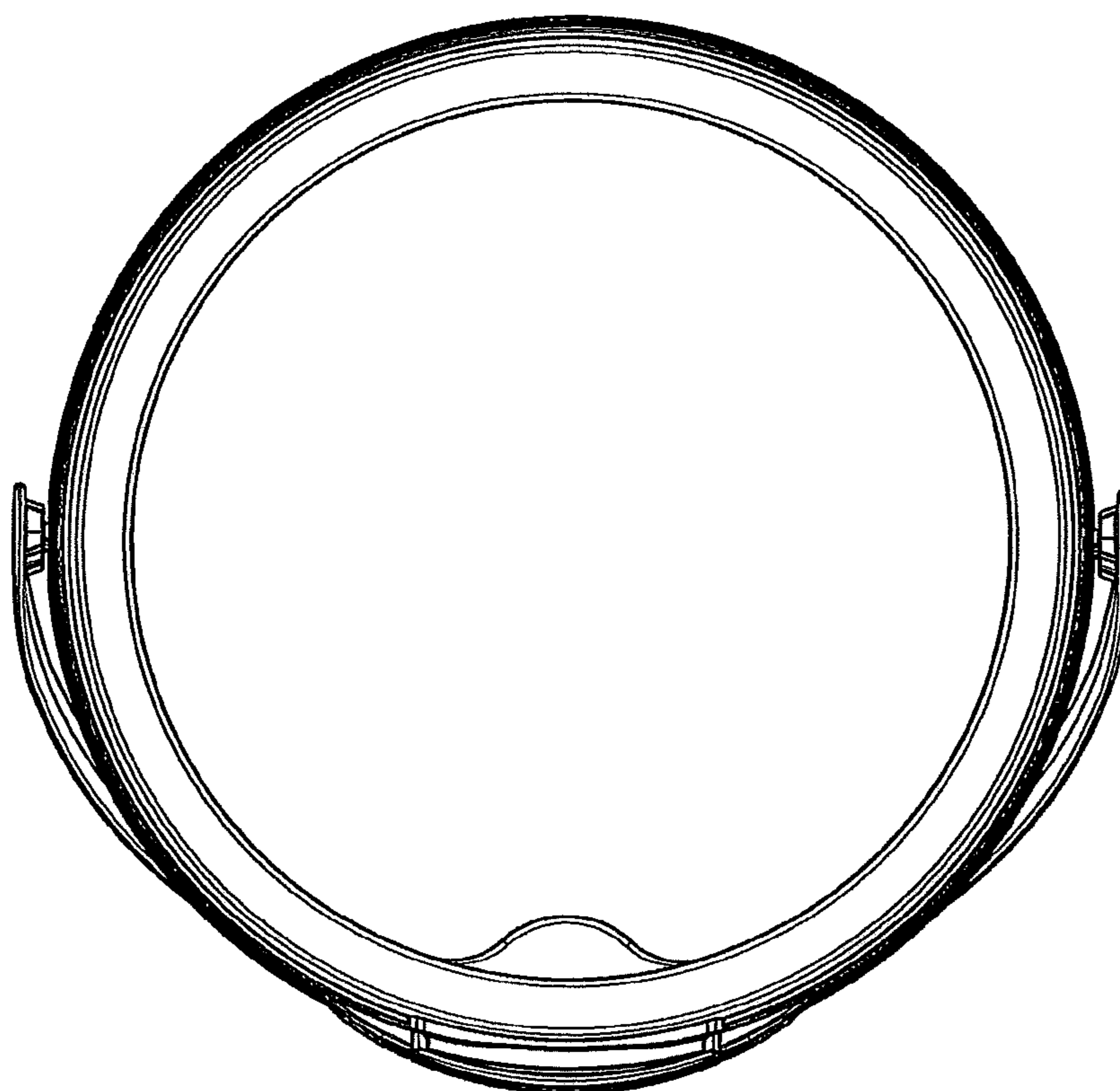


Fig. 18

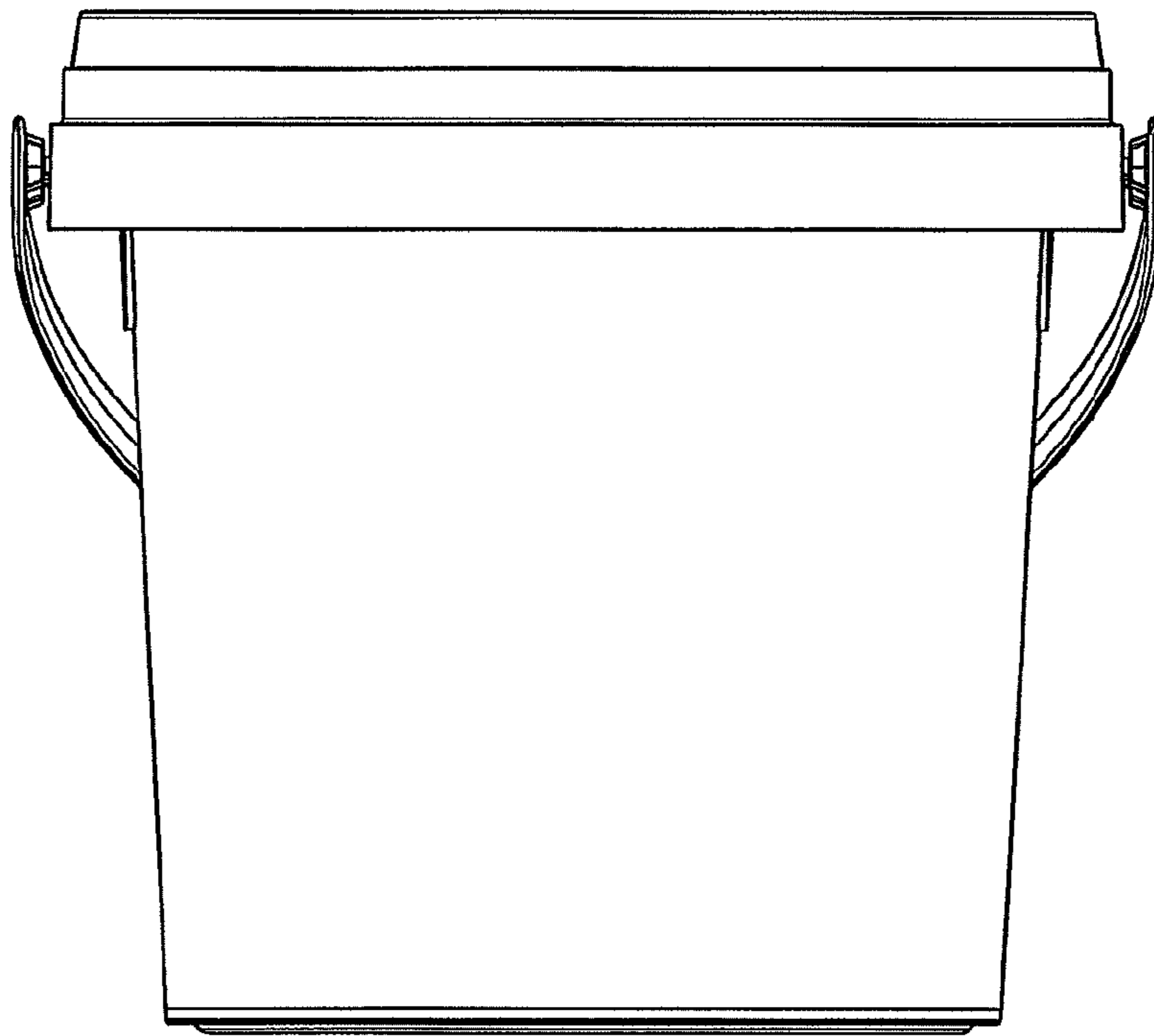


Fig. 19

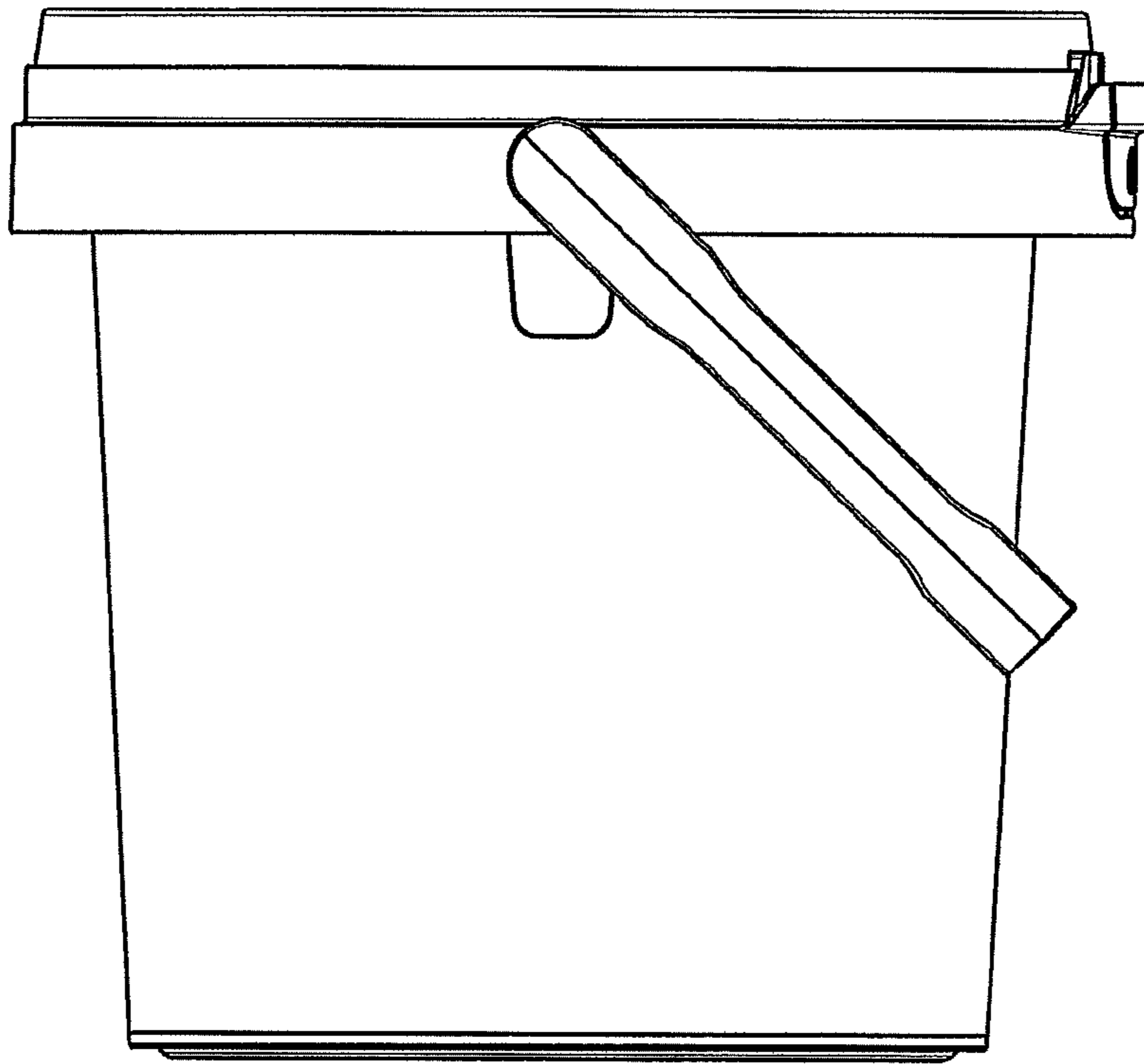


Fig. 20

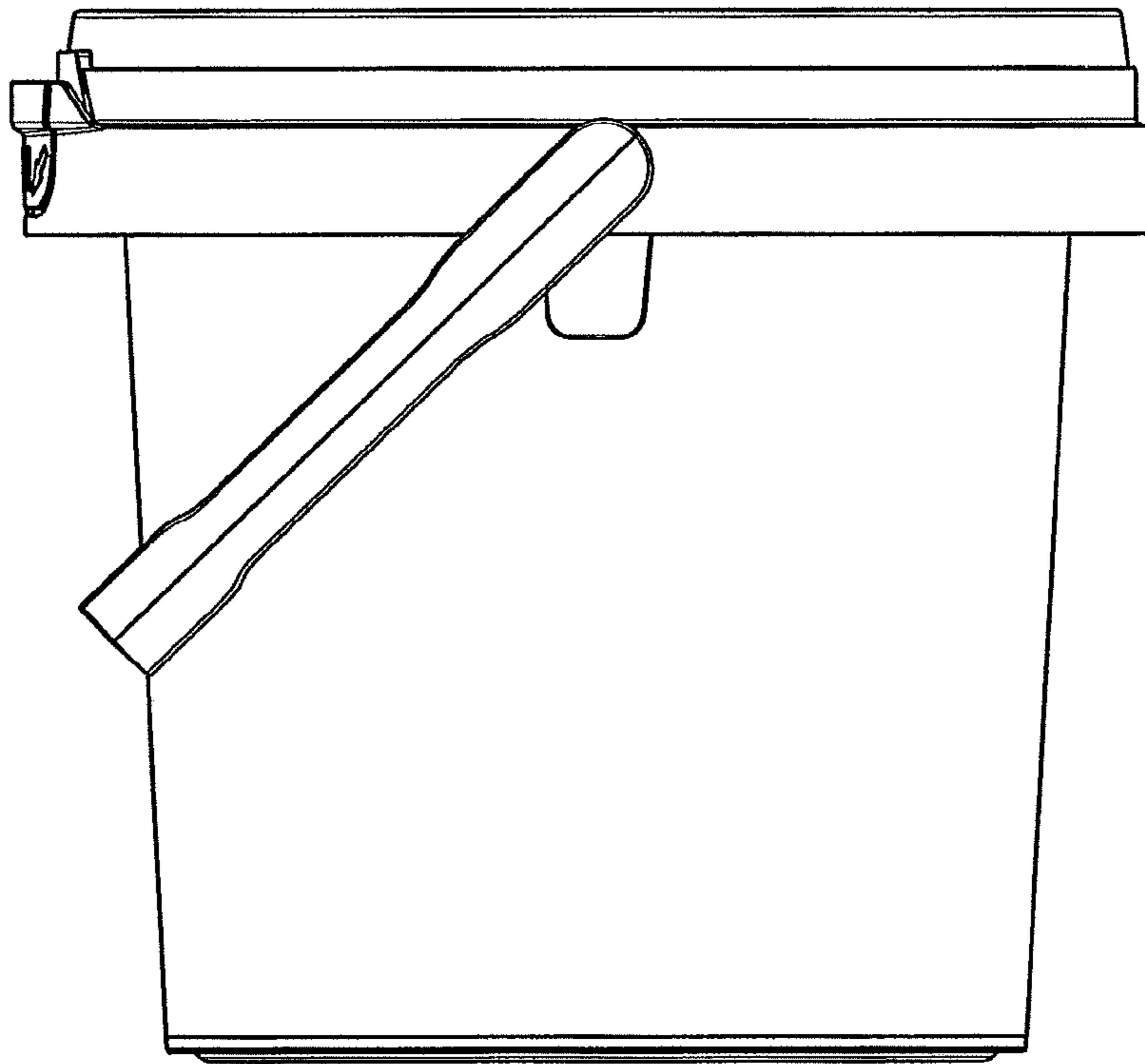


Fig. 21

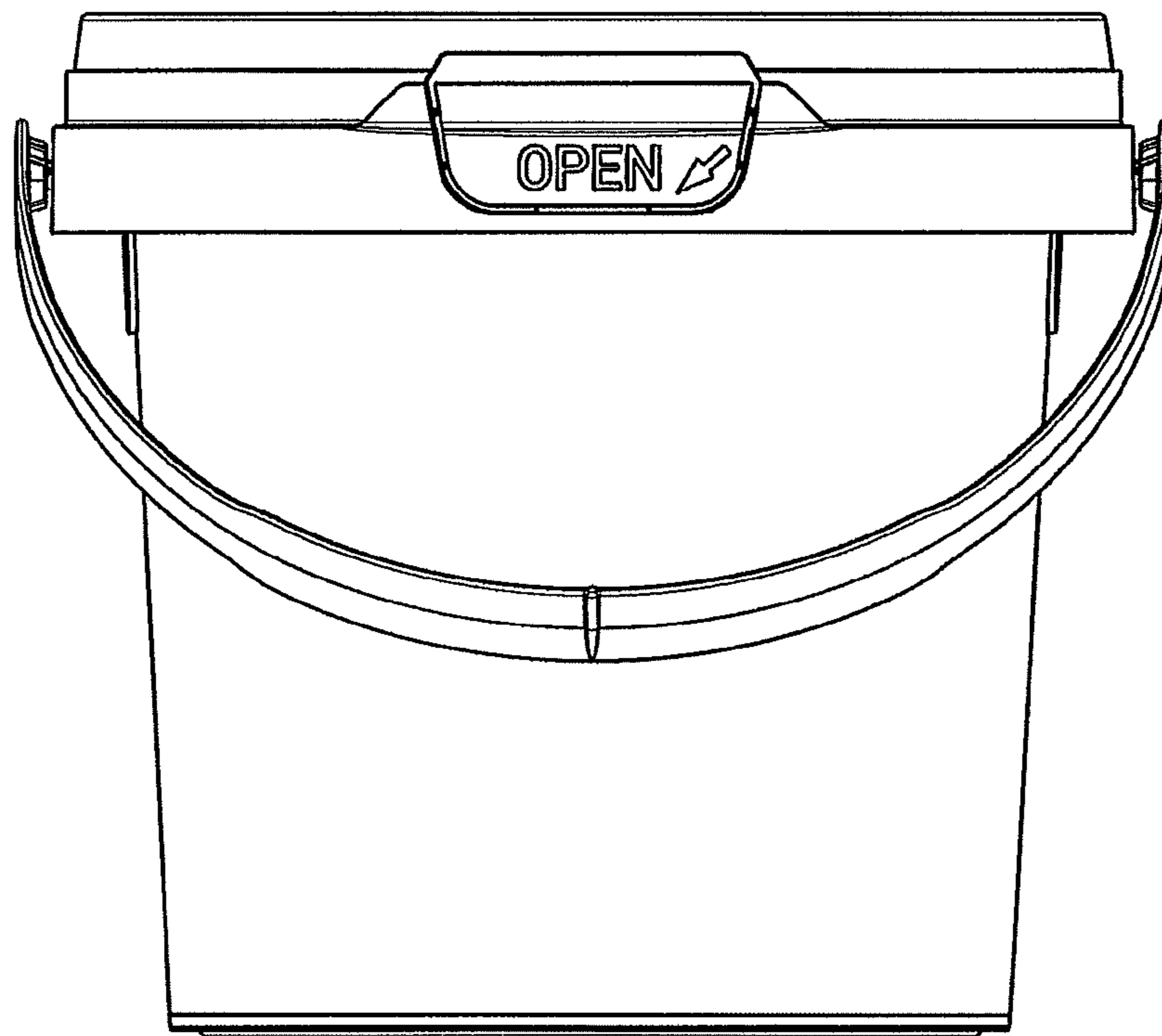


Fig. 22



Fig. 23

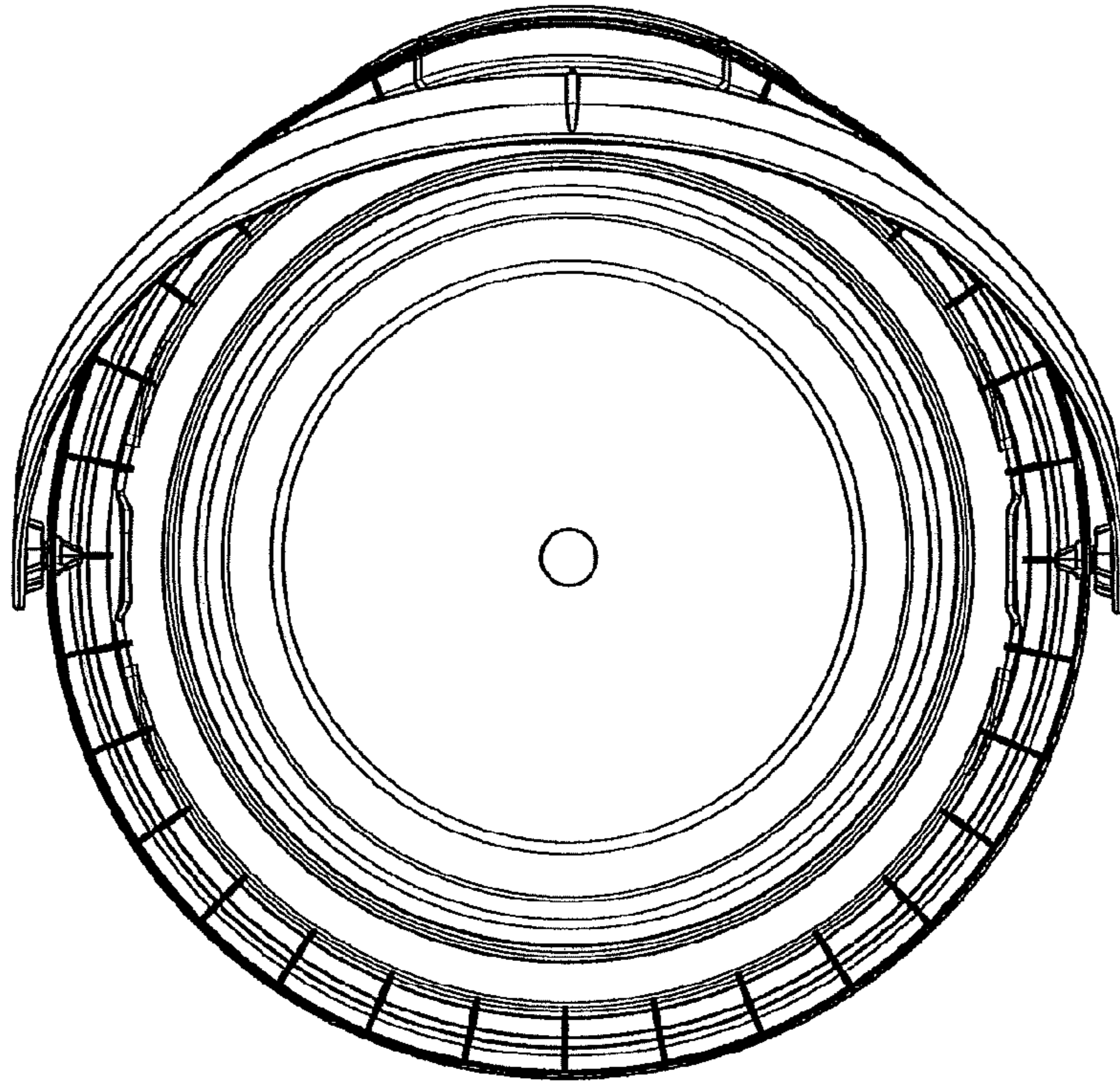


Fig. 24

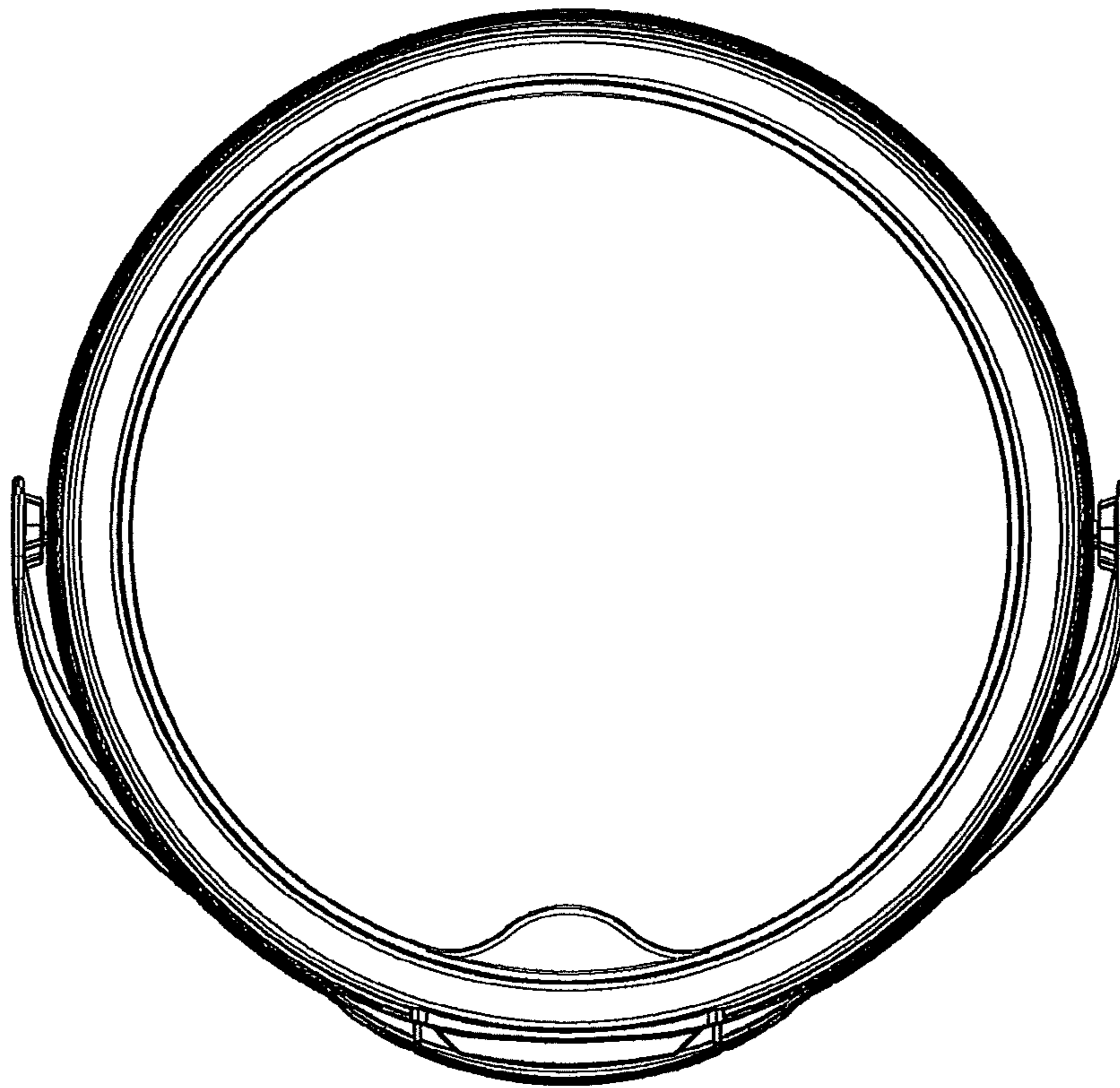


Fig. 25

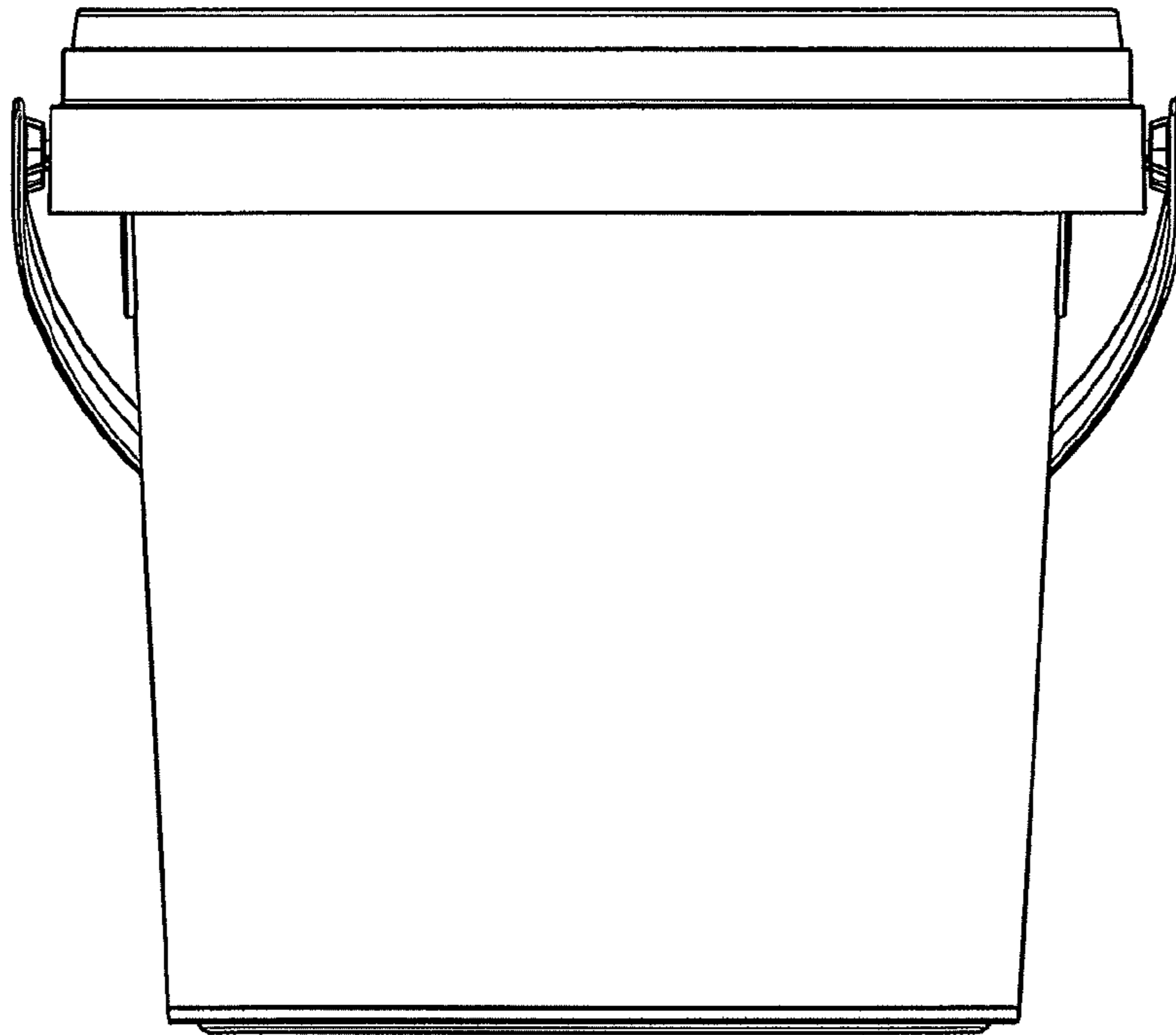


Fig. 26

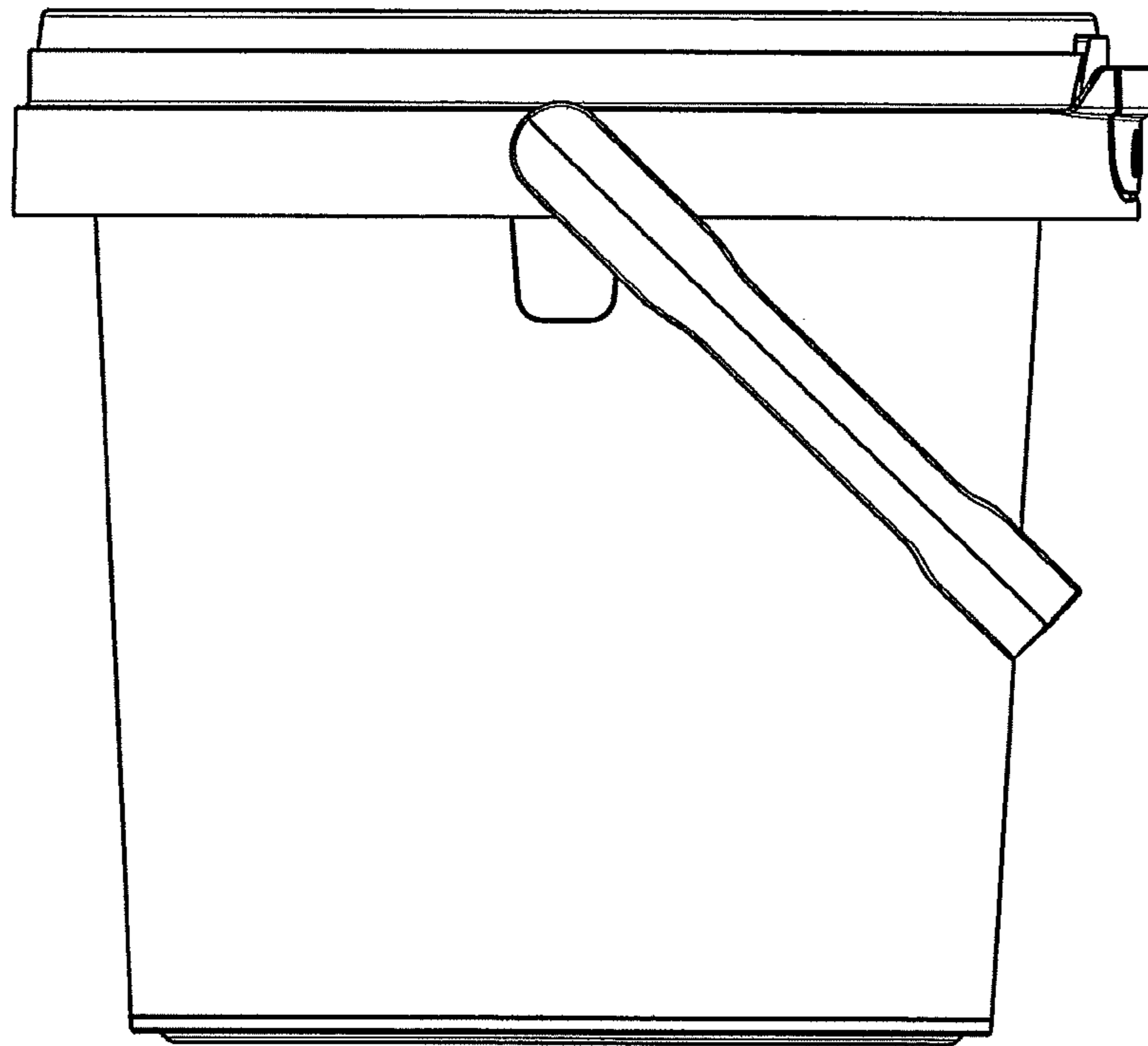


Fig. 27

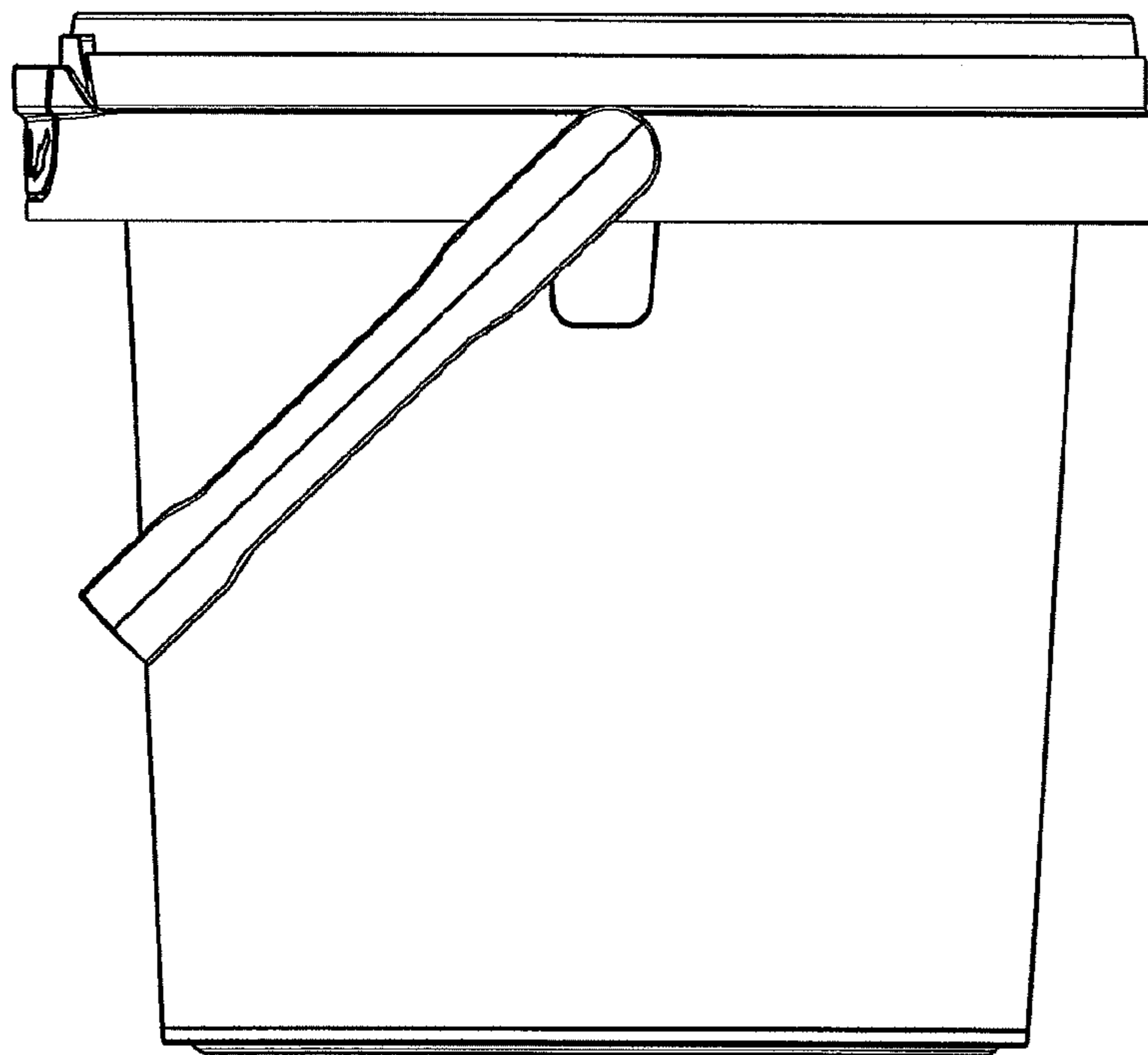


Fig. 28

