



US00D683509S

(12) **United States Design Patent**  
**Tseng**

(10) **Patent No.:** **US D683,509 S**

(45) **Date of Patent:** **\*\* \*May 28, 2013**

(54) **MOP HEAD FOR A MOP**

(76) Inventor: **Chen-Ching Tseng, Miaoli (TW)**

(\*) Notice: This patent is subject to a terminal disclaimer.

(\*\*) Term: **14 Years**

(21) Appl. No.: **29/384,815**

(22) Filed: **Feb. 4, 2011**

(51) **LOC (9) Cl.** ..... **04-01**

(52) **U.S. Cl.**  
USPC ..... **D32/50**

(58) **Field of Classification Search**

USPC ..... D32/40-45, 50-52; 15/118, 244.1, 15/244.2, 244.3, 244.4, 116.1, 116.2, 119.1, 15/119.2, 104.9, 228, 229.2, 229.4; 401/135-140; D14/227, 228, 238; 248/125.8  
See application file for complete search history.

(56) **References Cited**

**U.S. PATENT DOCUMENTS**

D179,540 S \* 1/1957 Knechtsberger ..... D14/227  
3,573,401 A \* 4/1971 Lininger ..... 381/363  
D379,992 S \* 6/1997 Aldama et al. .... D14/230  
D424,570 S \* 5/2000 Hockett et al. .... D14/238  
6,486,843 B2 \* 11/2002 Wang et al. .... 343/715

D491,926 S \* 6/2004 Tai et al. .... D14/230  
D495,223 S \* 8/2004 Altman ..... D8/19  
D519,992 S \* 5/2006 McAnally ..... D14/238  
D557,260 S \* 12/2007 Westerling et al. .... D14/230  
D610,577 S \* 2/2010 Jenkins ..... D14/238  
2004/0175013 A1 \* 9/2004 Gleissner ..... 381/363  
2009/0102723 A1 \* 4/2009 Mateychuk et al. ... 343/700 MS

\* cited by examiner

*Primary Examiner* — John Windmuller

(74) *Attorney, Agent, or Firm* — Chun-Ming Shih

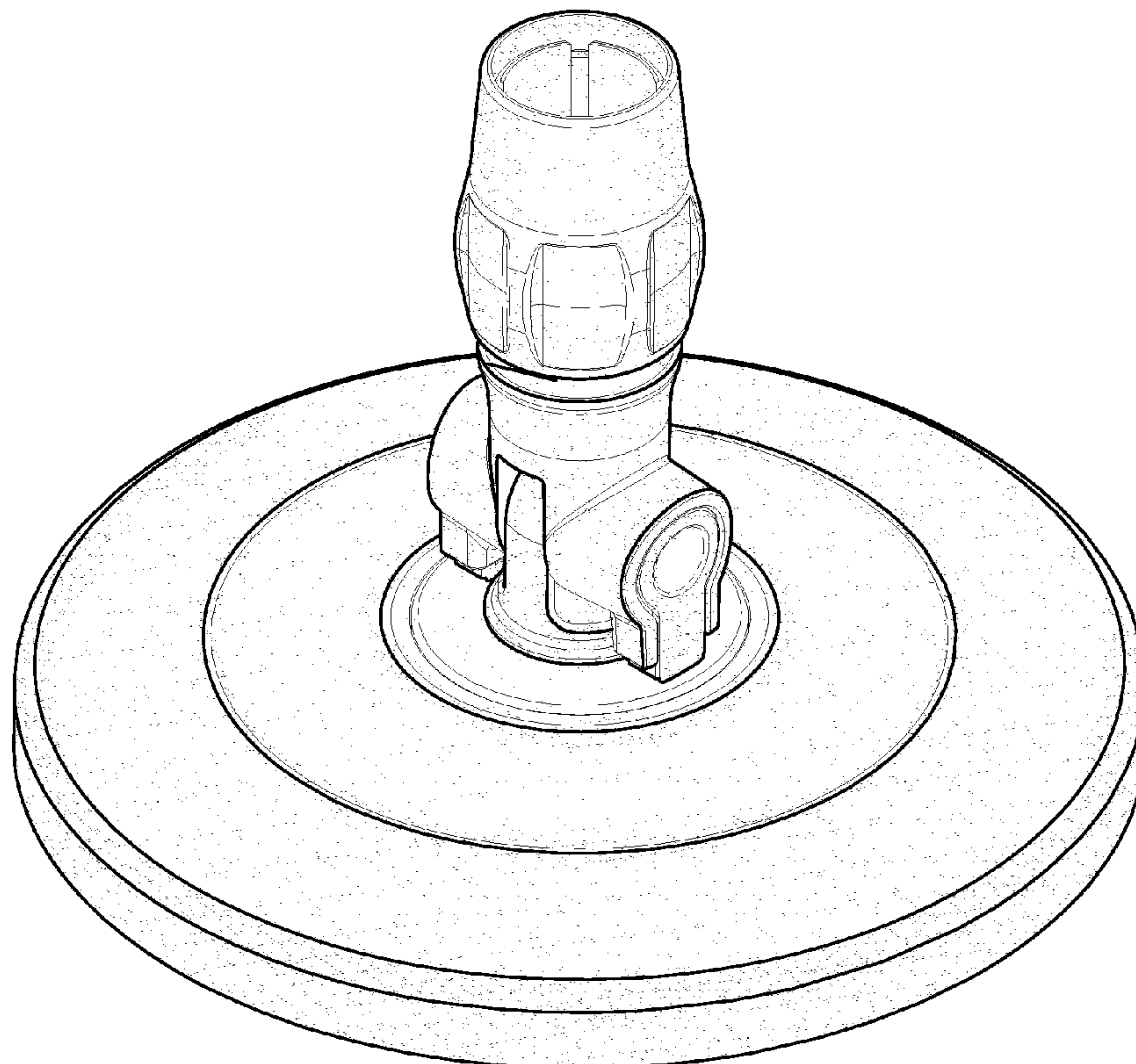
(57) **CLAIM**

The ornamental design for a mop head for a mop, as shown.

**DESCRIPTION**

FIG. 1 is a front left perspective view of a mop head for a mop showing my new design;  
FIG. 2 is a front perspective view thereof;  
FIG. 3 is a rear perspective view thereof;  
FIG. 4 is a left side elevation view thereof;  
FIG. 5 is a right side elevation view thereof;  
FIG. 6 is a top plan view thereof;  
FIG. 7 is a bottom plan view thereof;  
FIG. 8 is another perspective view thereof; and,  
FIG. 9 is a front left perspective view illustrating the device the present invention in use.  
The broken lines in the drawings depict unclaimed environmental subject matter.

**1 Claim, 9 Drawing Sheets**



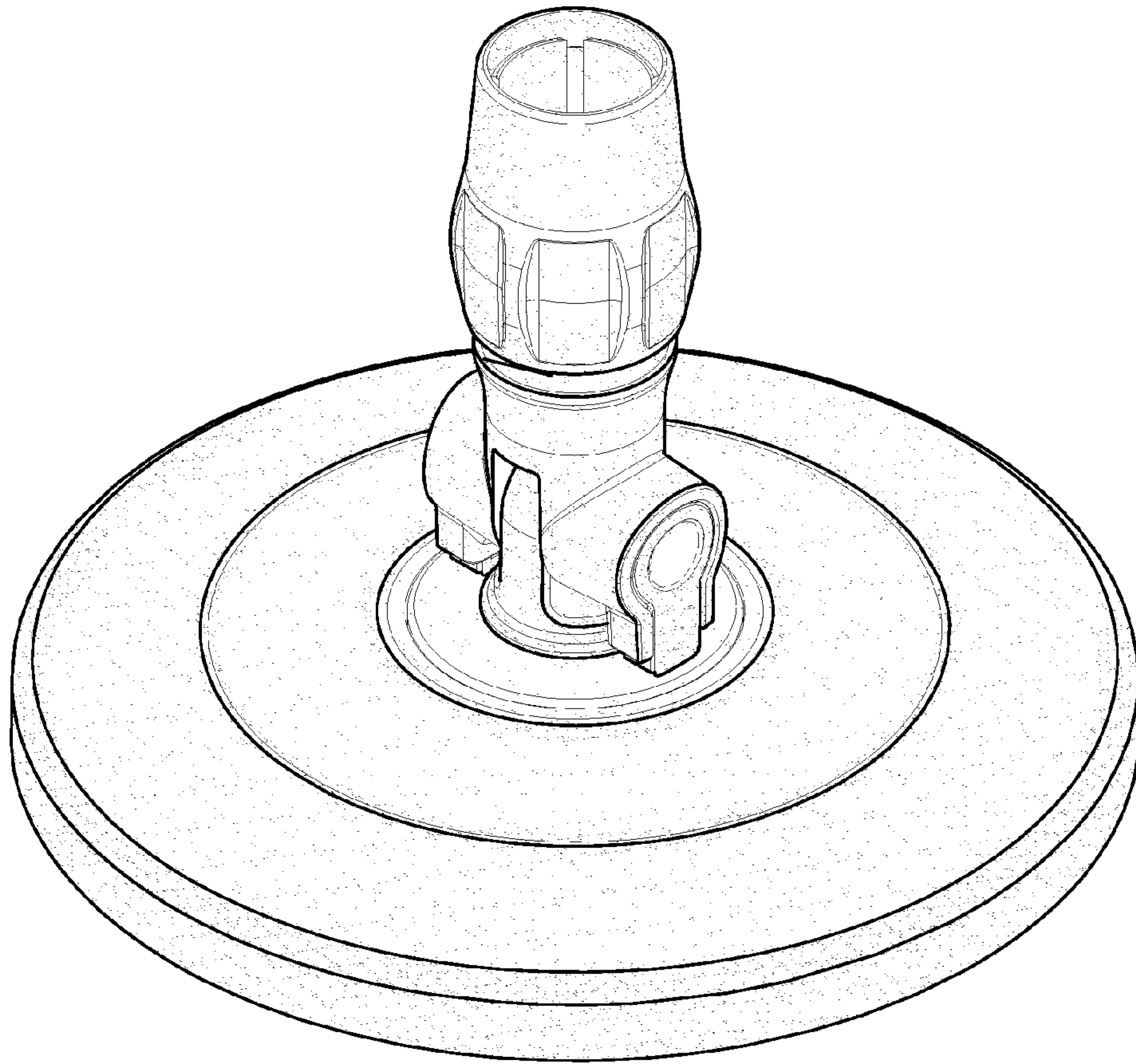


FIG. 1

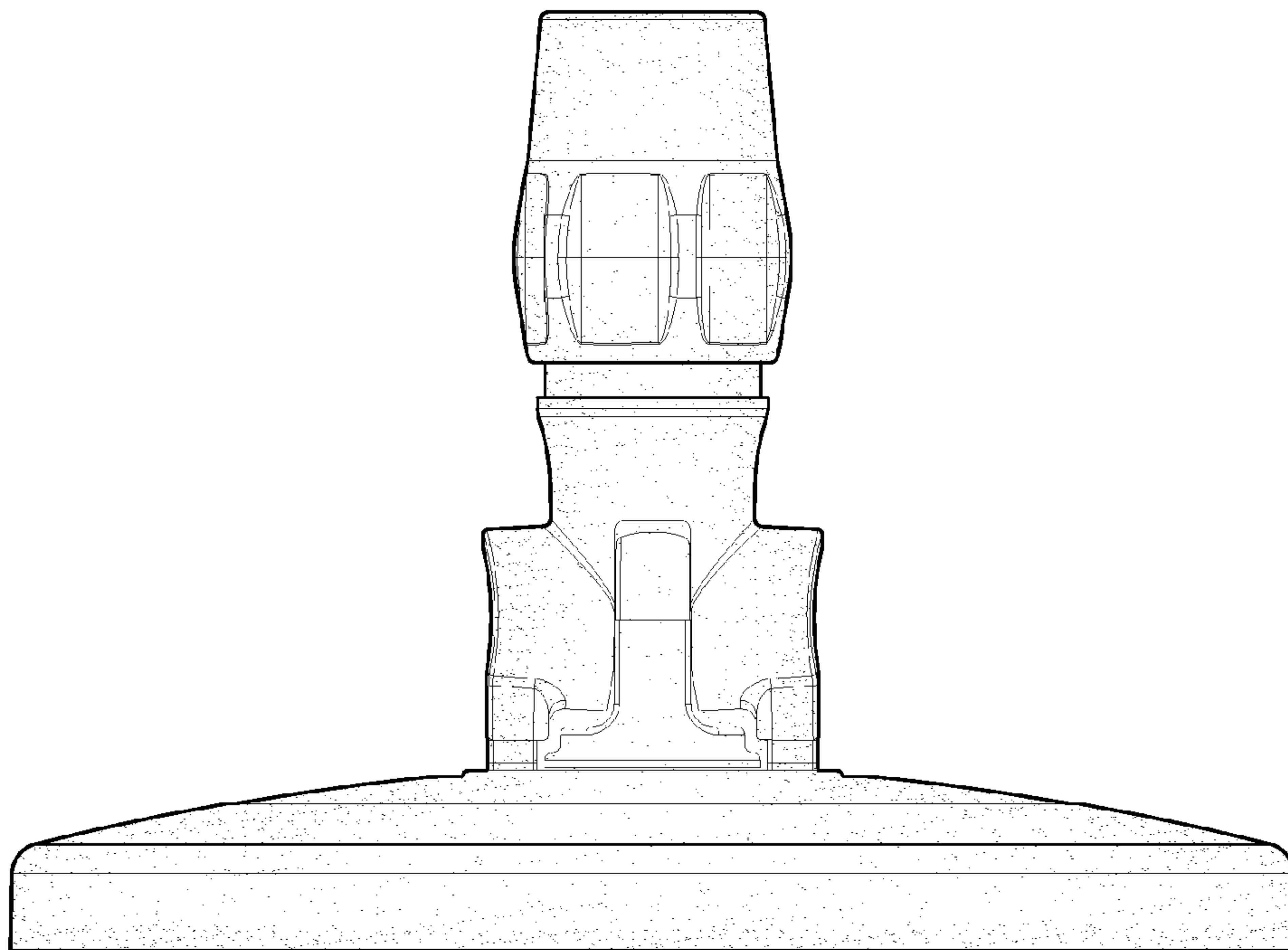


FIG.2

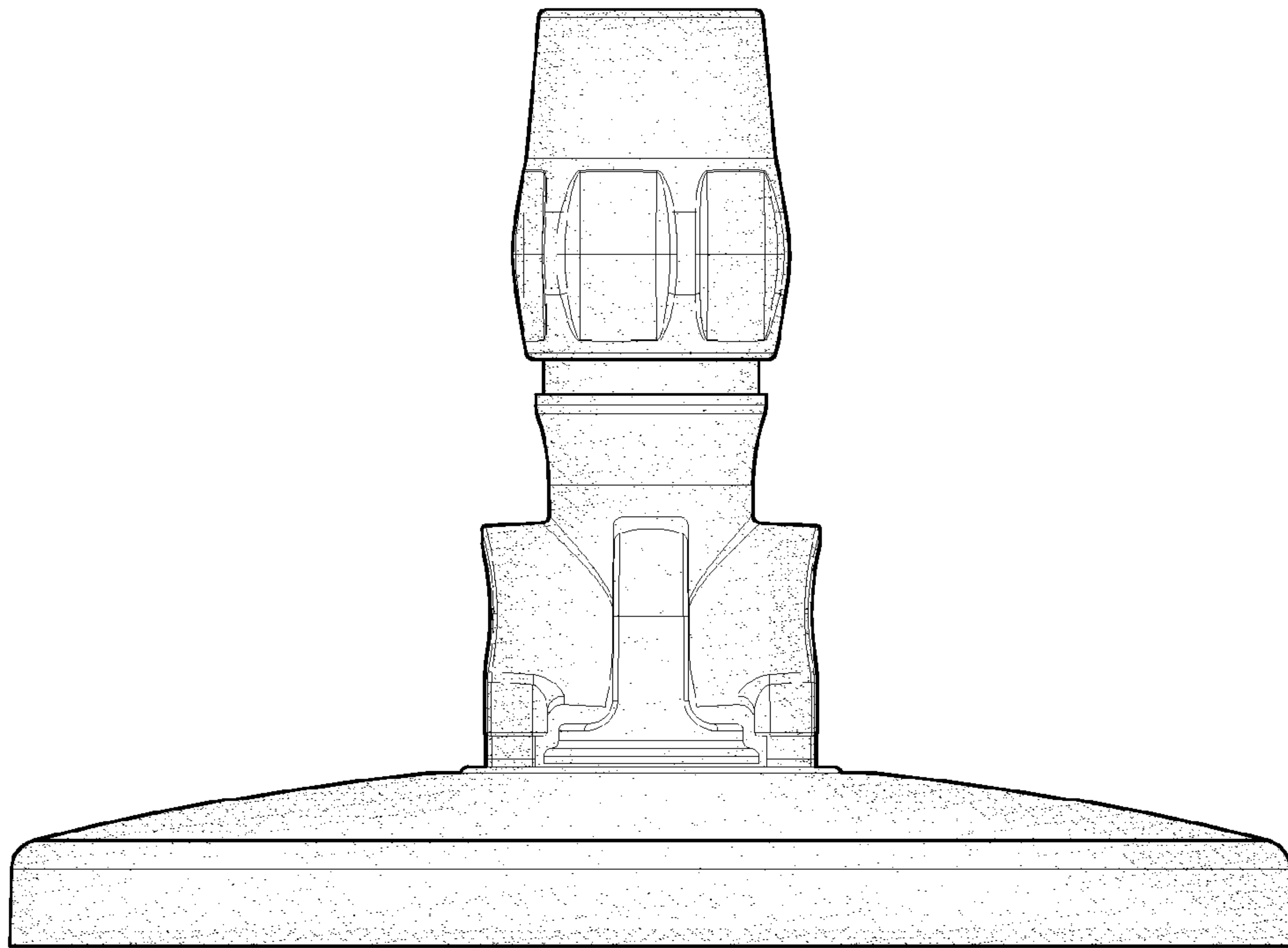


FIG.3

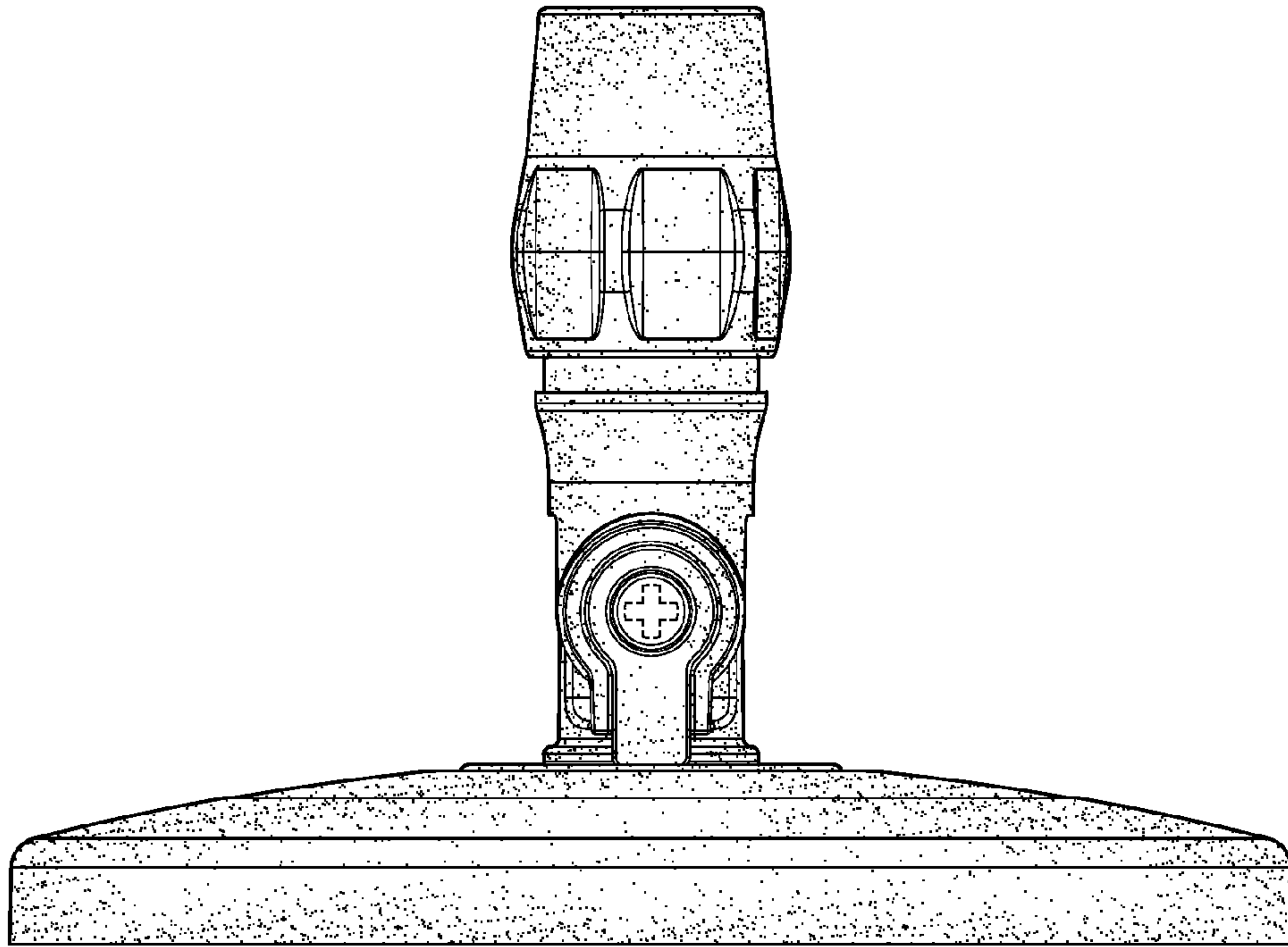


FIG.4



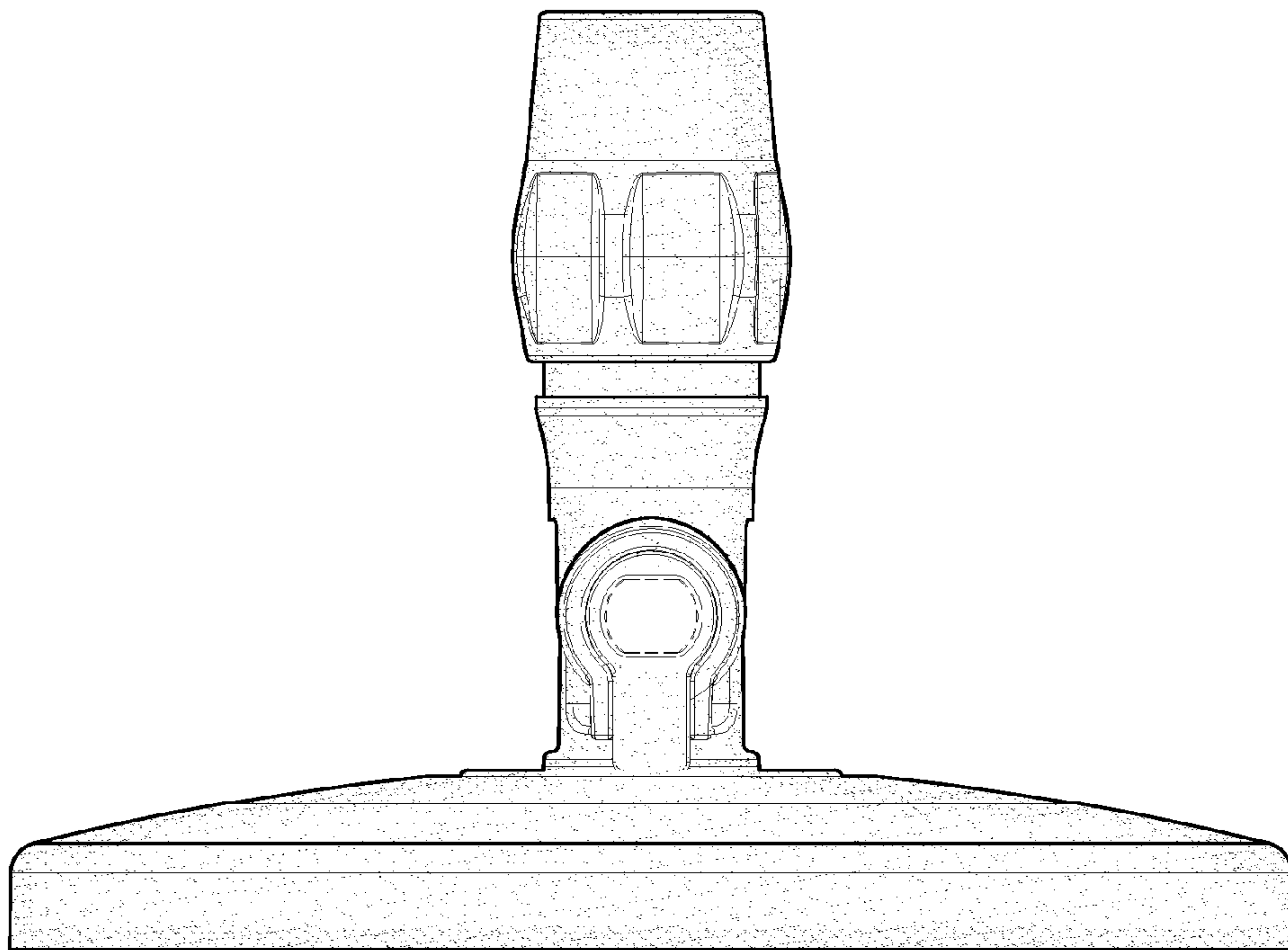


FIG.5

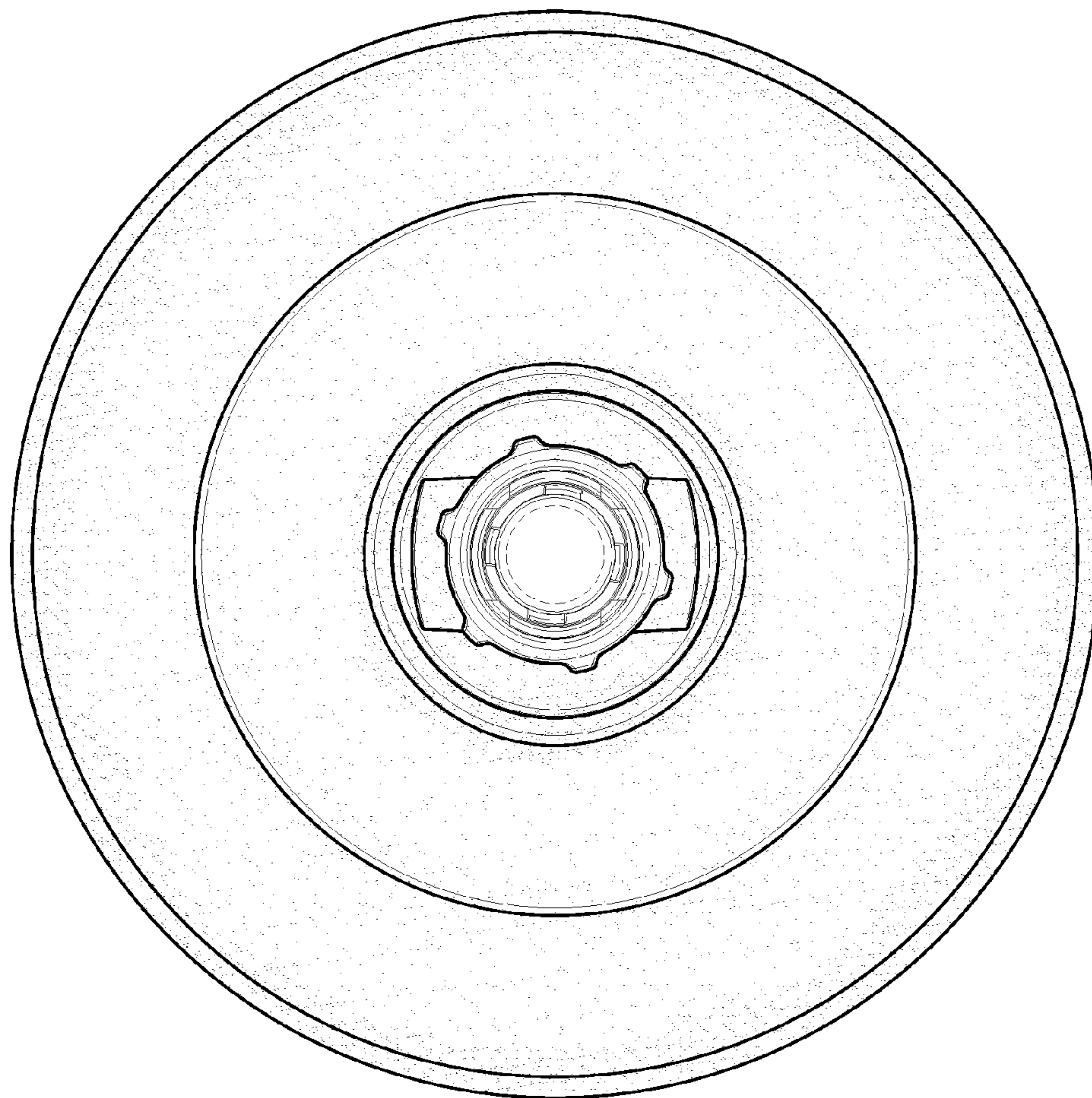


FIG.6

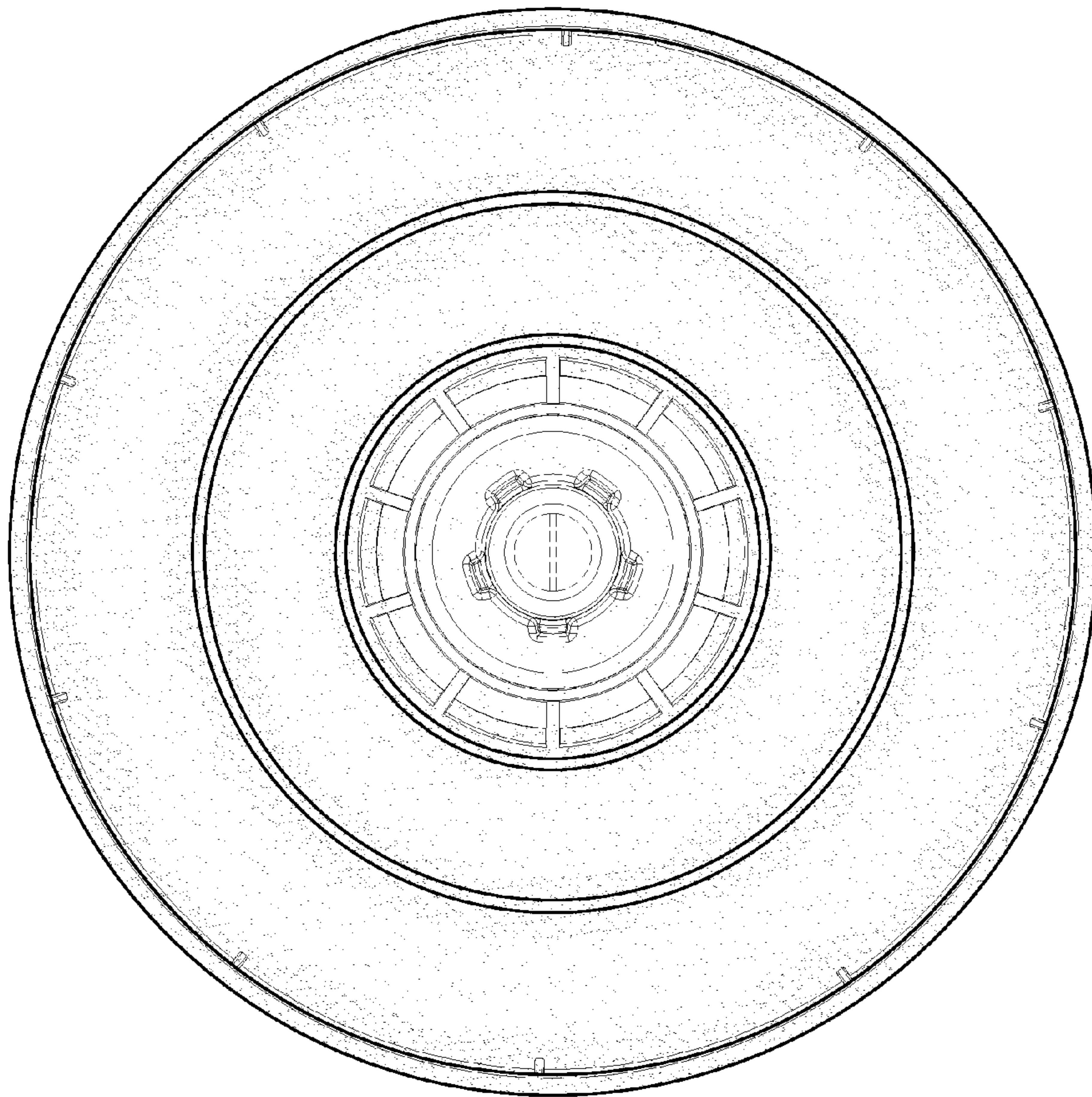


FIG.7



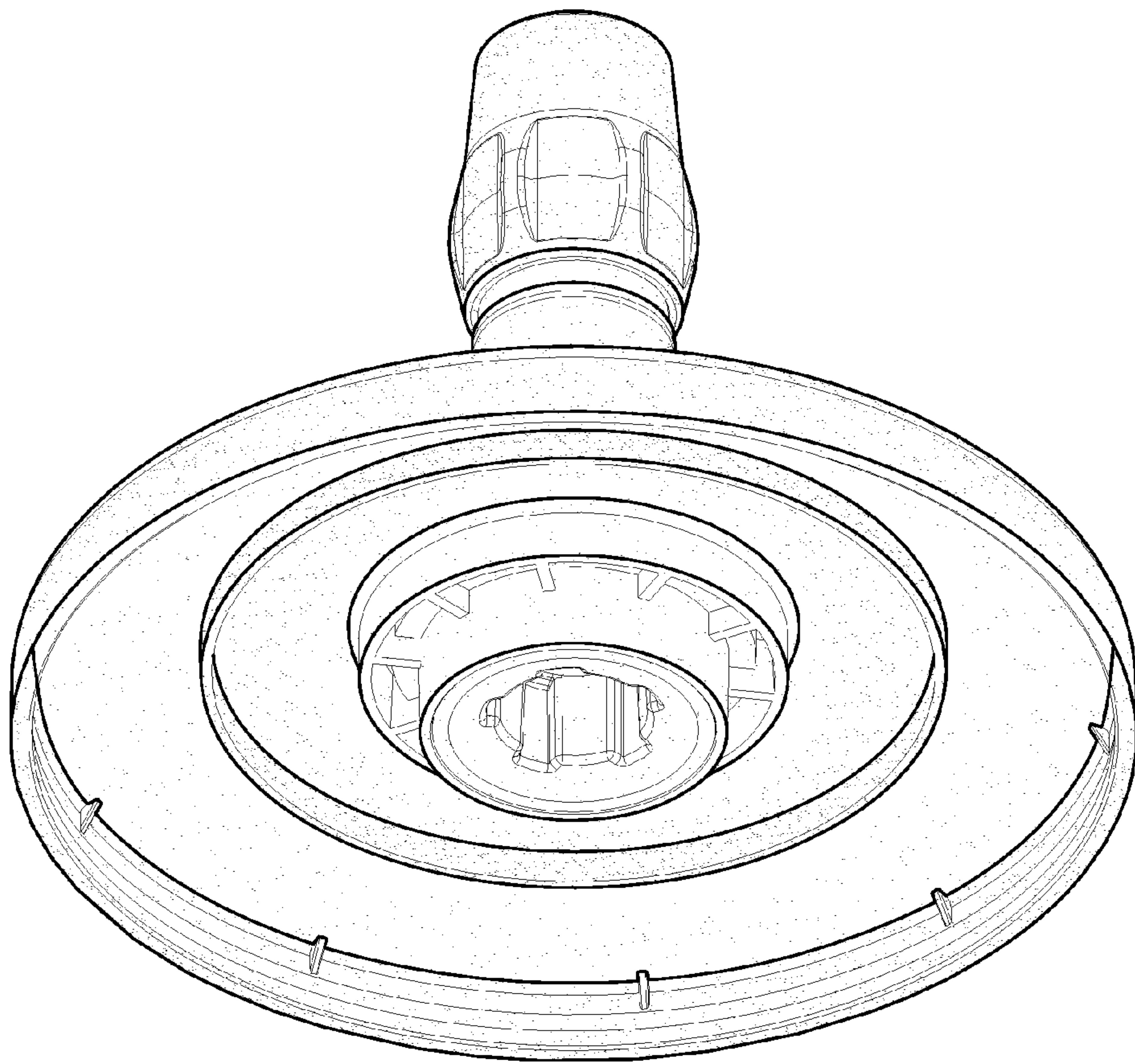


FIG.8

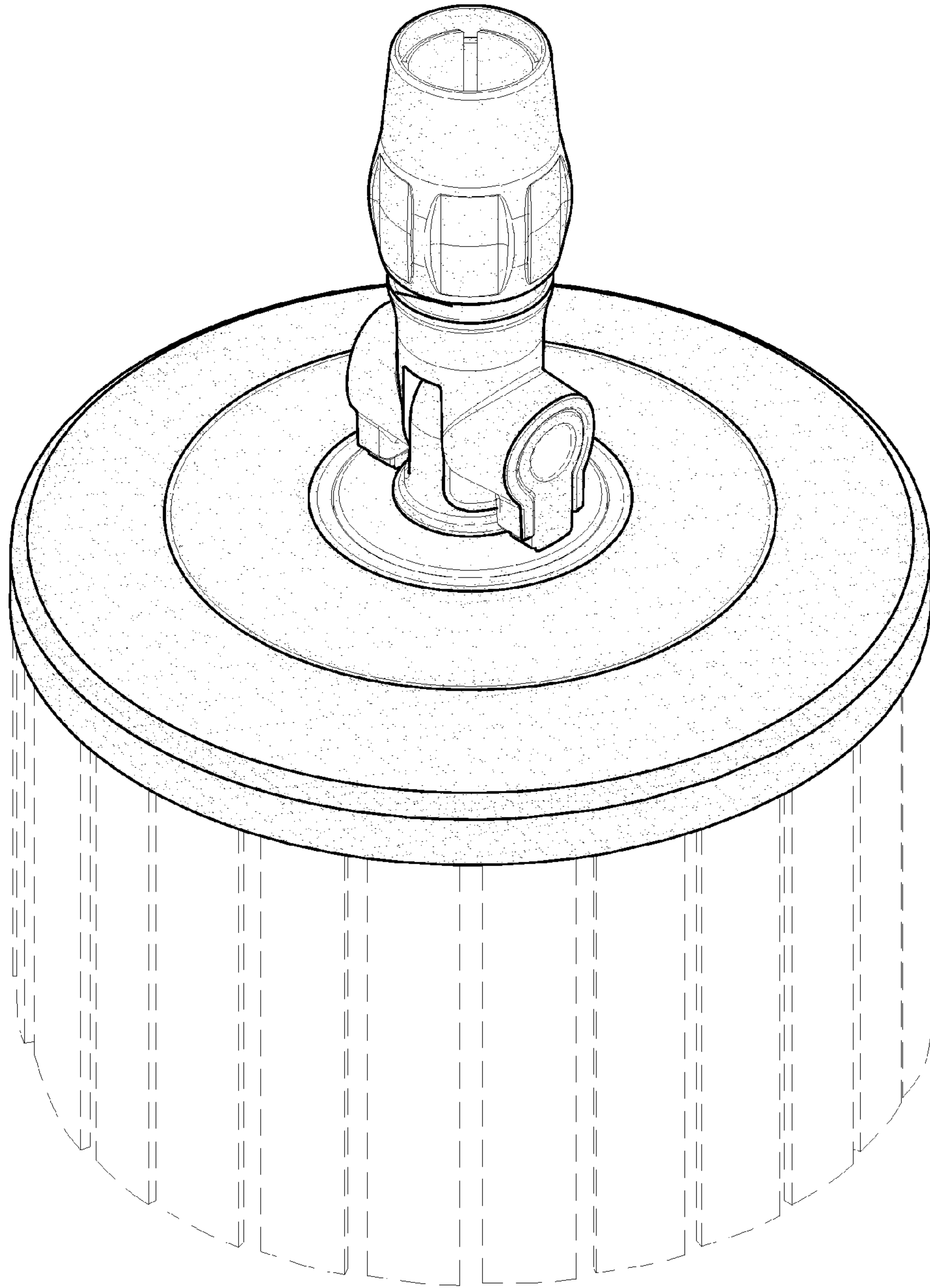


FIG. 9