



US00D683508S

(12) **United States Design Patent**
Paterson

(10) **Patent No.:** **US D683,508 S**

(45) **Date of Patent:** **** May 28, 2013**

- (54) **LOW PROFILE VACUUM BASE**
- (75) Inventor: **Christopher M. Paterson**, Franklin, TN (US)
- (73) Assignee: **Oreck Holdings LLC**, Nashville, TN (US)
- (**) Term: **14 Years**
- (21) Appl. No.: **29/405,595**
- (22) Filed: **Nov. 3, 2011**
- (51) **LOC (9) Cl.** **15-05**
- (52) **U.S. Cl.**
USPC **D32/33; D32/32**
- (58) **Field of Classification Search** D32/21,
D32/22, 31-34, 17, 42, 45, 50; 15/1.7, 415.1,
15/416-422.1, 414, 322, 353, 400, 327.1,
15/319, 366, 383, 179, 182, 41.1, 320, 403
See application file for complete search history.

1,918,695 A	7/1933	Gilbert	
2,017,905 A	10/1935	Kitto	
2,028,090 A	1/1936	Frantz	
2,031,911 A	2/1936	Smellie	
2,044,830 A	6/1936	Carlstedt	
2,058,371 A	10/1936	Roosen	
2,093,748 A	9/1937	Becker	
2,128,525 A	8/1938	Dyer	
2,202,999 A	6/1940	Smellie	
2,244,165 A	6/1941	MacFarland et al.	
2,287,515 A	6/1942	Dow et al.	
2,343,056 A	2/1944	Harlett	
D288,016 S	1/1987	Watkins et al.	
6,033,451 A	3/2000	Fish et al.	
D426,356 S	6/2000	Tsuruha	
D440,019 S *	4/2001	Mehaffey et al.	D32/32
D456,966 S *	5/2002	Paterson et al.	D32/32
D462,814 S	9/2002	Sugimoto	
D486,279 S *	2/2004	Chen	D32/17
D487,324 S *	3/2004	Santiago et al.	D32/32
D495,106 S *	8/2004	Leyden et al.	D32/32
D498,887 S	11/2004	Kent	

(Continued)

Primary Examiner — Ruth McInroy

(74) *Attorney, Agent, or Firm* — Winston & Strawn LLP

(56) **References Cited**

U.S. PATENT DOCUMENTS

1,104,612 A	7/1914	Bodey
1,108,248 A	8/1914	Schmitz
1,140,992 A	9/1915	Martin
1,210,522 A	1/1917	Orr
1,282,548 A	10/1918	Reamer
1,286,115 A	11/1918	Rosenfield
1,288,312 A	12/1918	Wagner
1,437,996 A	12/1922	Robertson
1,530,575 A	3/1925	Pearl
1,556,021 A	10/1925	Orr
1,587,794 A	6/1926	O'Brien
1,591,325 A	7/1926	Kirby
1,647,292 A	11/1927	Hill
1,727,922 A	9/1929	Adams
1,843,901 A	2/1932	Pardee
1,879,710 A	9/1932	Reddig
1,903,855 A	4/1933	Townsend

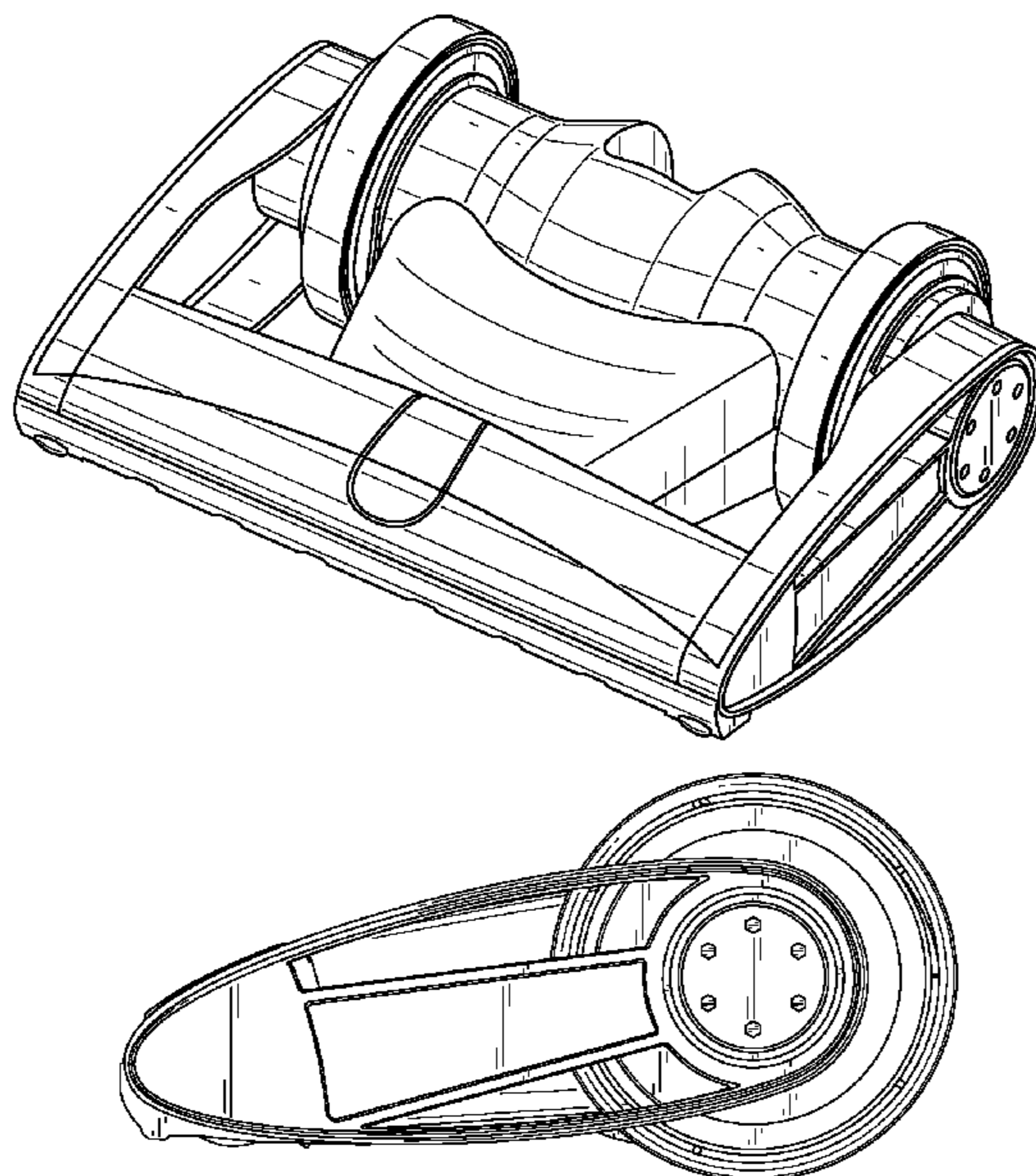
(57) **CLAIM**

I claim the ornamental design for a low profile vacuum base, as shown and described.

DESCRIPTION

FIG. 1 is a front perspective view of a low profile vacuum base showing my new design;
FIG. 2 is a front view thereof;
FIG. 3 is a rear view thereof;
FIG. 4 is a right side view thereof;
FIG. 5 is a left side view thereof;
FIG. 6 is a top view thereof; and,
FIG. 7 is a bottom view thereof.

1 Claim, 5 Drawing Sheets



US D683,508 S

Page 2

U.S. PATENT DOCUMENTS

D506,049 S *	6/2005	Santiago et al.	D32/32	D596,360 S	7/2009	Dyson et al.	
D510,466 S *	10/2005	Rosenzweig	D32/32	7,665,172 B1 *	2/2010	Tran et al.	15/41.1
7,024,724 B2	4/2006	Ponjican et al.		D615,717 S *	5/2010	Butts et al.	D32/22
D524,498 S *	7/2006	Luebbering et al.	D32/32	D618,873 S *	6/2010	Ayers	D32/33
D534,324 S	12/2006	Dyson et al.		D619,315 S *	7/2010	Ayers	D32/32
7,150,069 B2 *	12/2006	Hori et al.	15/417	D621,564 S *	8/2010	Kaffenberger	D32/32
D536,495 S *	2/2007	Porter et al.	D32/32	8,091,169 B2 *	1/2012	Jeutter et al.	15/41.1
D544,158 S	6/2007	Bobrosky		D655,468 S *	3/2012	Karsan	D32/33
7,258,709 B2	8/2007	Ponjican et al.		D662,677 S *	6/2012	Bilger et al.	D32/22
D570,561 S	6/2008	Dyson et al.		2007/0209145 A1	9/2007	Tullett	
D591,016 S	4/2009	Dyson et al.		2008/0022486 A1	1/2008	Burlington	

* cited by examiner

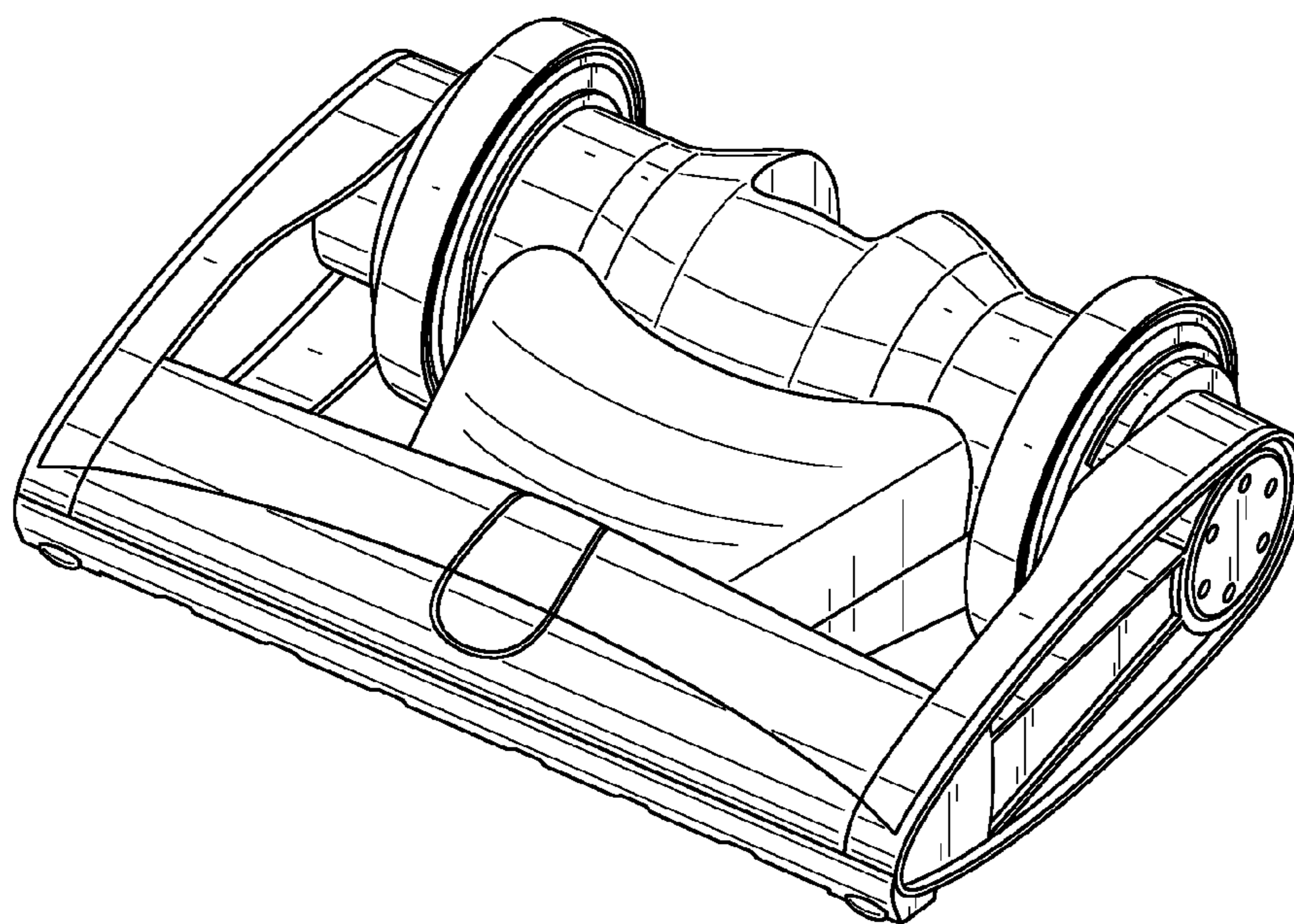


FIG. 1

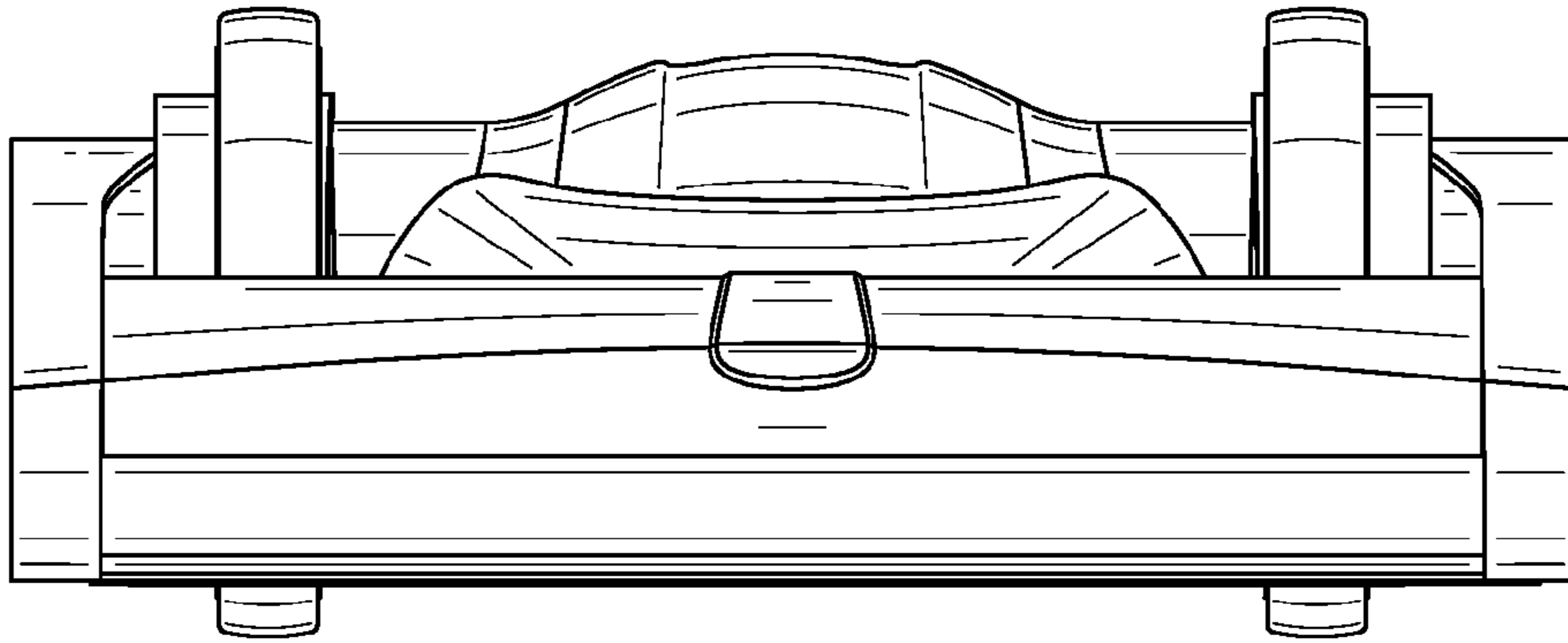


FIG. 2

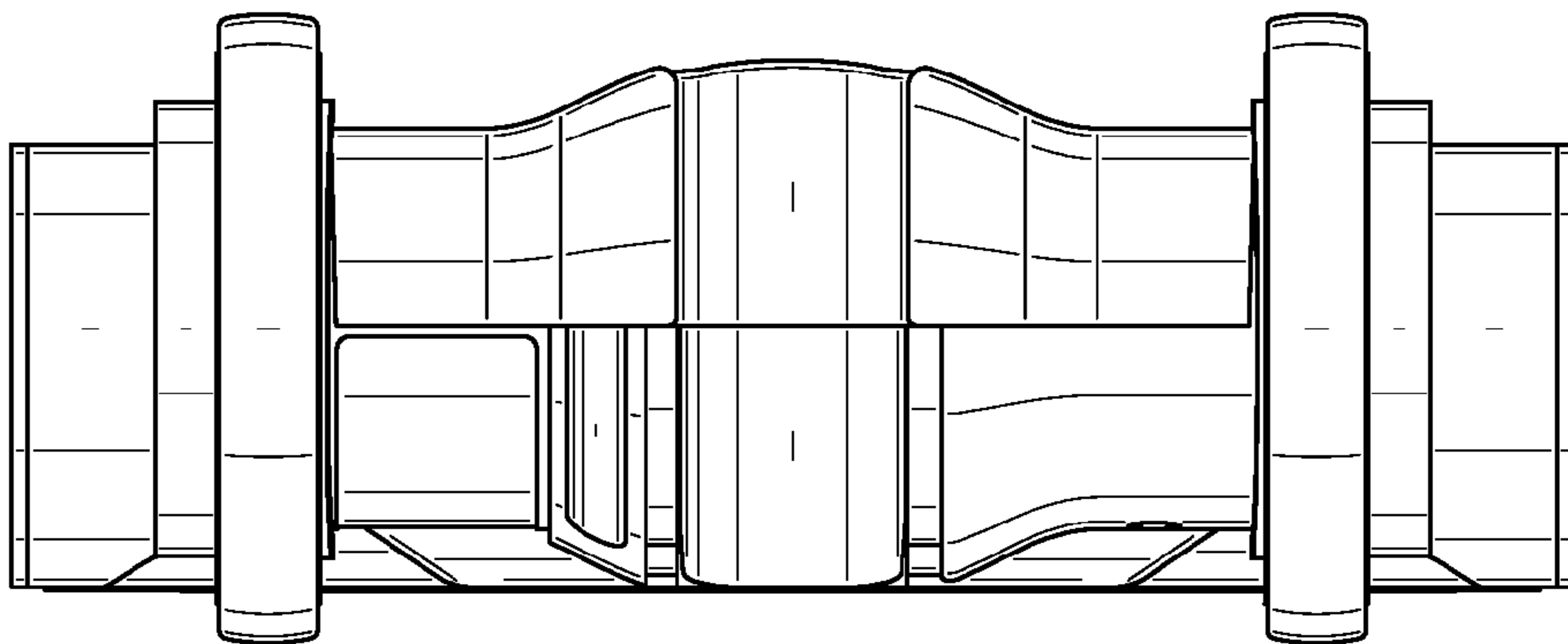


FIG. 3

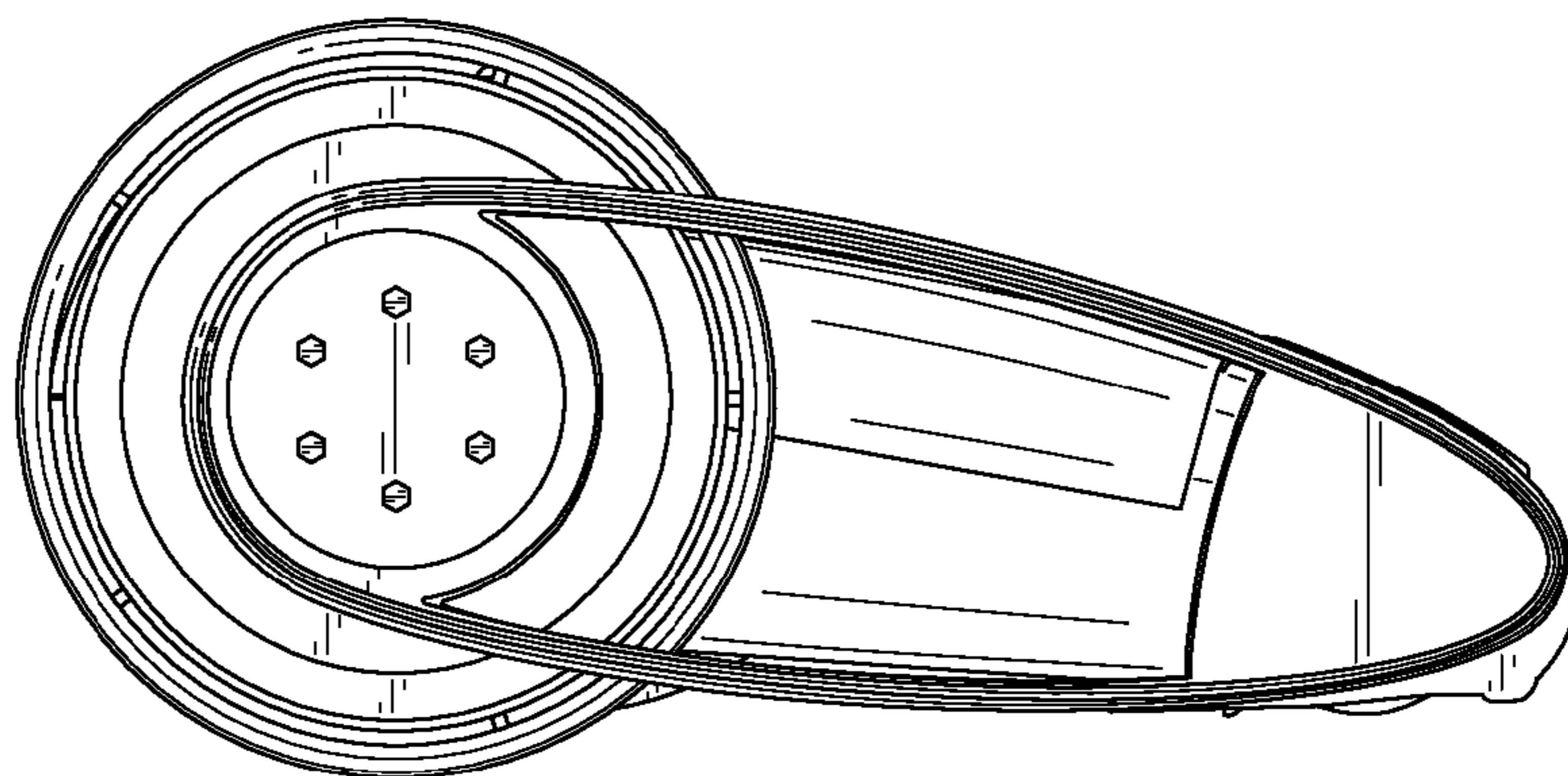


FIG. 4

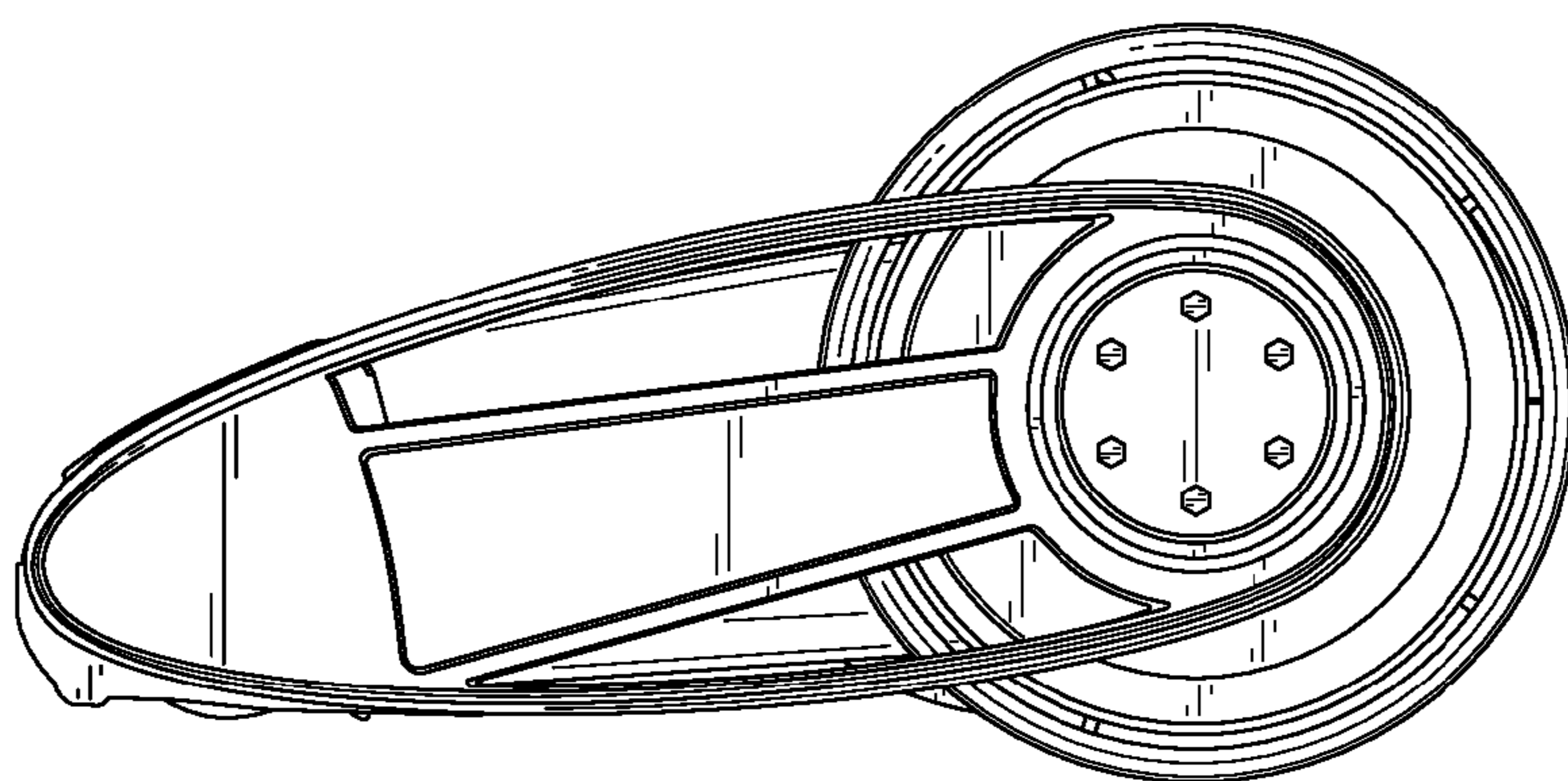


FIG. 5

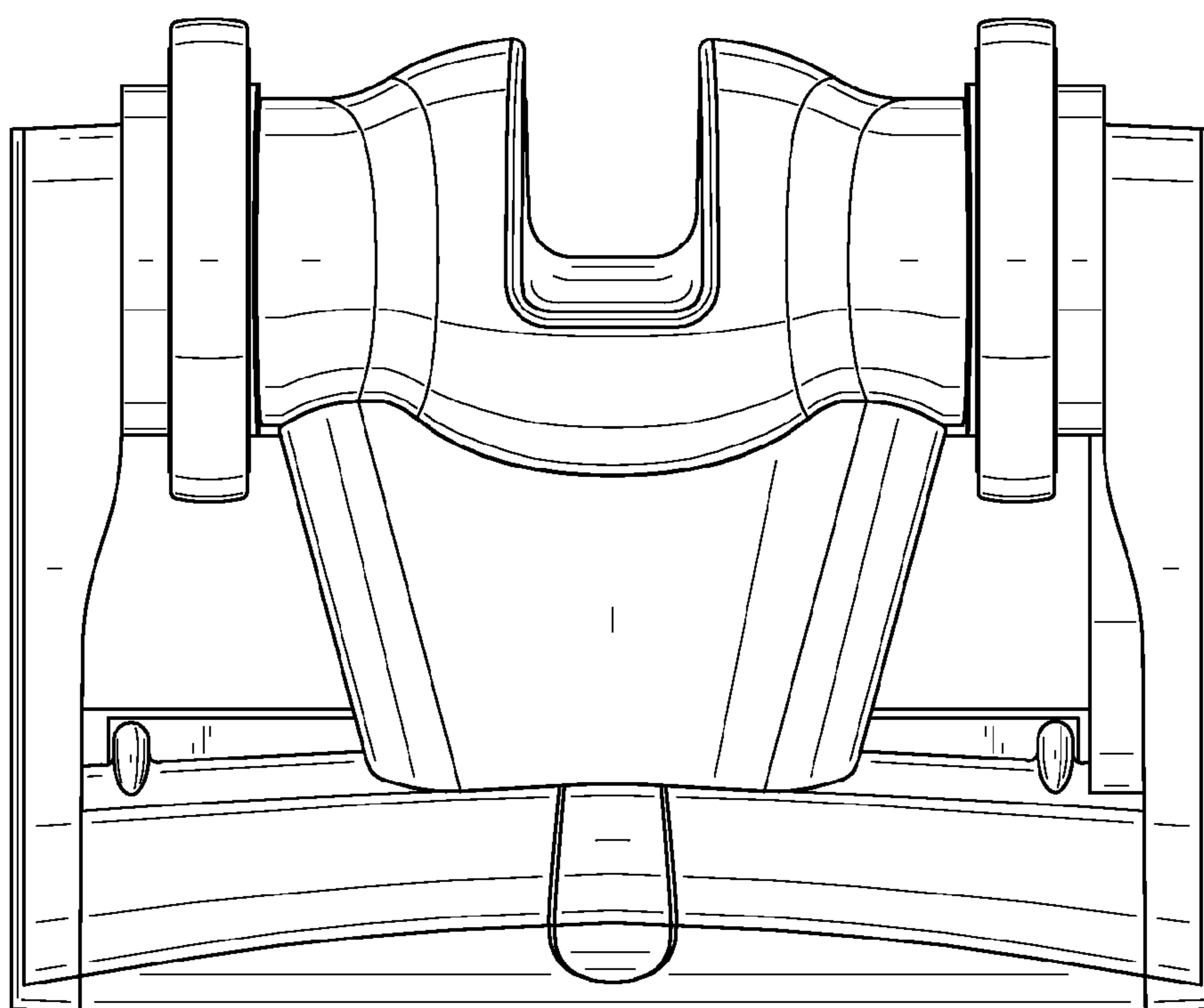


FIG. 6

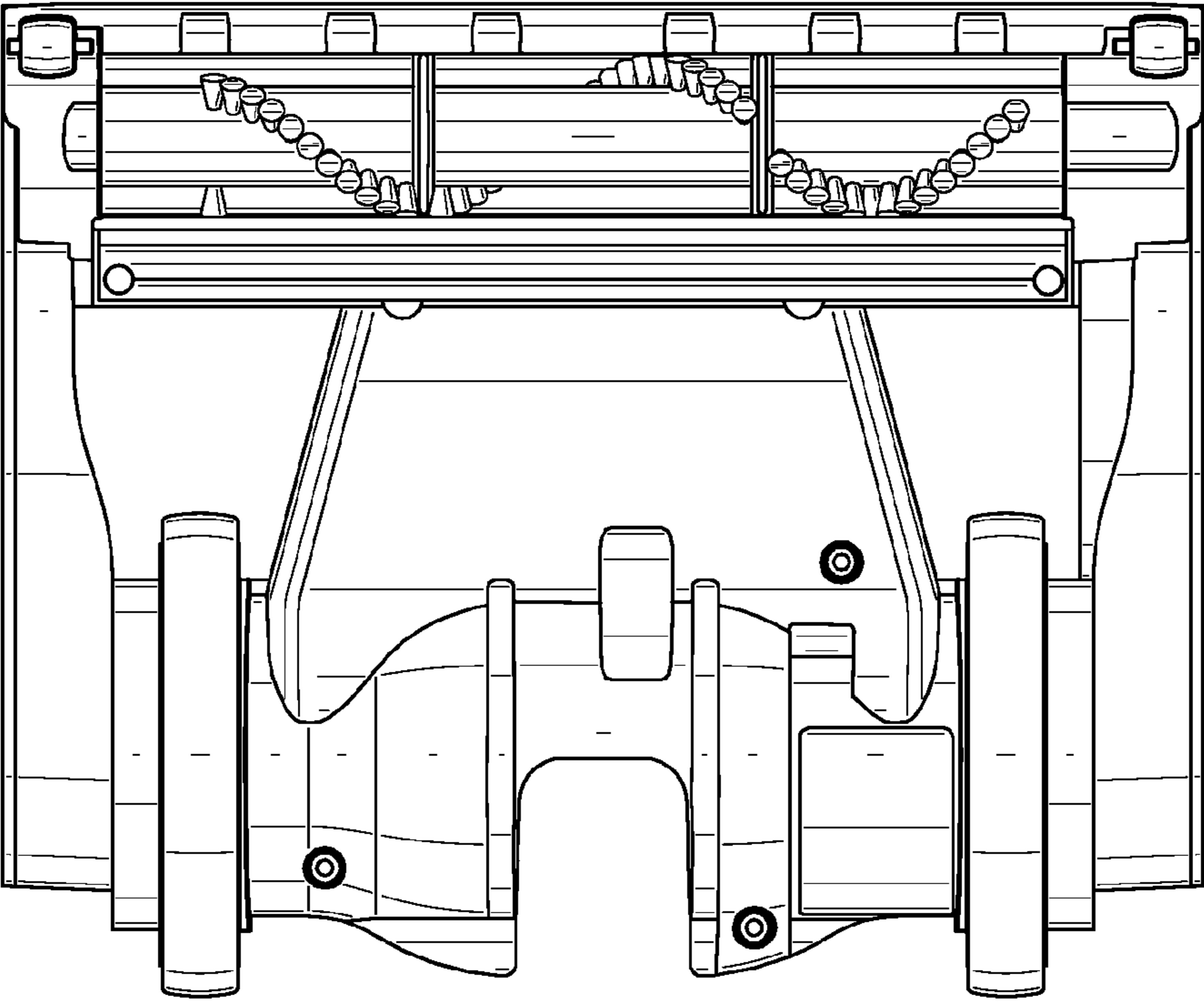


FIG. 7