



US00D683507S

(12) **United States Design Patent**  
**Liu et al.**

(10) **Patent No.:** **US D683,507 S**

(45) **Date of Patent:** **\*\* May 28, 2013**

(54) **VACUUM CLEANER**

(75) Inventors: **Li H. Liu**, South Williamsport, PA (US);  
**Robert L. Crevling, Jr.**, Williamsport,  
PA (US); **John Griffin**, Phoenix, AZ  
(US)

(73) Assignee: **Shop Vac Corporation**, Williamsport,  
PA (US)

(\*\*) Term: **14 Years**

(21) Appl. No.: **29/398,852**

(22) Filed: **Aug. 5, 2011**

(51) **LOC (9) Cl.** ..... **15-05**

(52) **U.S. Cl.**  
USPC ..... **D32/31**

(58) **Field of Classification Search**  
USPC ..... D32/17-18, 22, 31; 15/320-321,  
15/350-354, 415.1-422, 329, 344, 361,  
15/410-411, 347, 1.7, DIG. 1; 55/DIG. 3;  
210/169; 4/490

See application file for complete search history.

(56) **References Cited**

**U.S. PATENT DOCUMENTS**

D568,562 S \* 5/2008 Griffin et al. .... D32/23  
D568,564 S \* 5/2008 Griffin et al. .... D32/31

D568,565 S \* 5/2008 Griffin et al. .... D32/31  
D571,513 S \* 6/2008 Griffin et al. .... D32/21  
D581,114 S \* 11/2008 Crevling et al. .... D32/23  
D595,910 S \* 7/2009 Hollis et al. .... D32/21  
7,555,809 B2 \* 7/2009 Liu ..... 15/327.5  
D646,860 S \* 10/2011 Liu et al. .... D32/31  
D647,260 S \* 10/2011 Hollis et al. .... D32/21

\* cited by examiner

*Primary Examiner* — Ruth McInroy

(74) *Attorney, Agent, or Firm* — Marshall, Gerstein & Borun  
LLP

(57) **CLAIM**

The ornamental design for a vacuum cleaner, as shown and  
described.

**DESCRIPTION**

FIG. 1 is an isometric view of a vacuum cleaner showing our  
new design;

FIG. 2 is a front elevation view thereof;

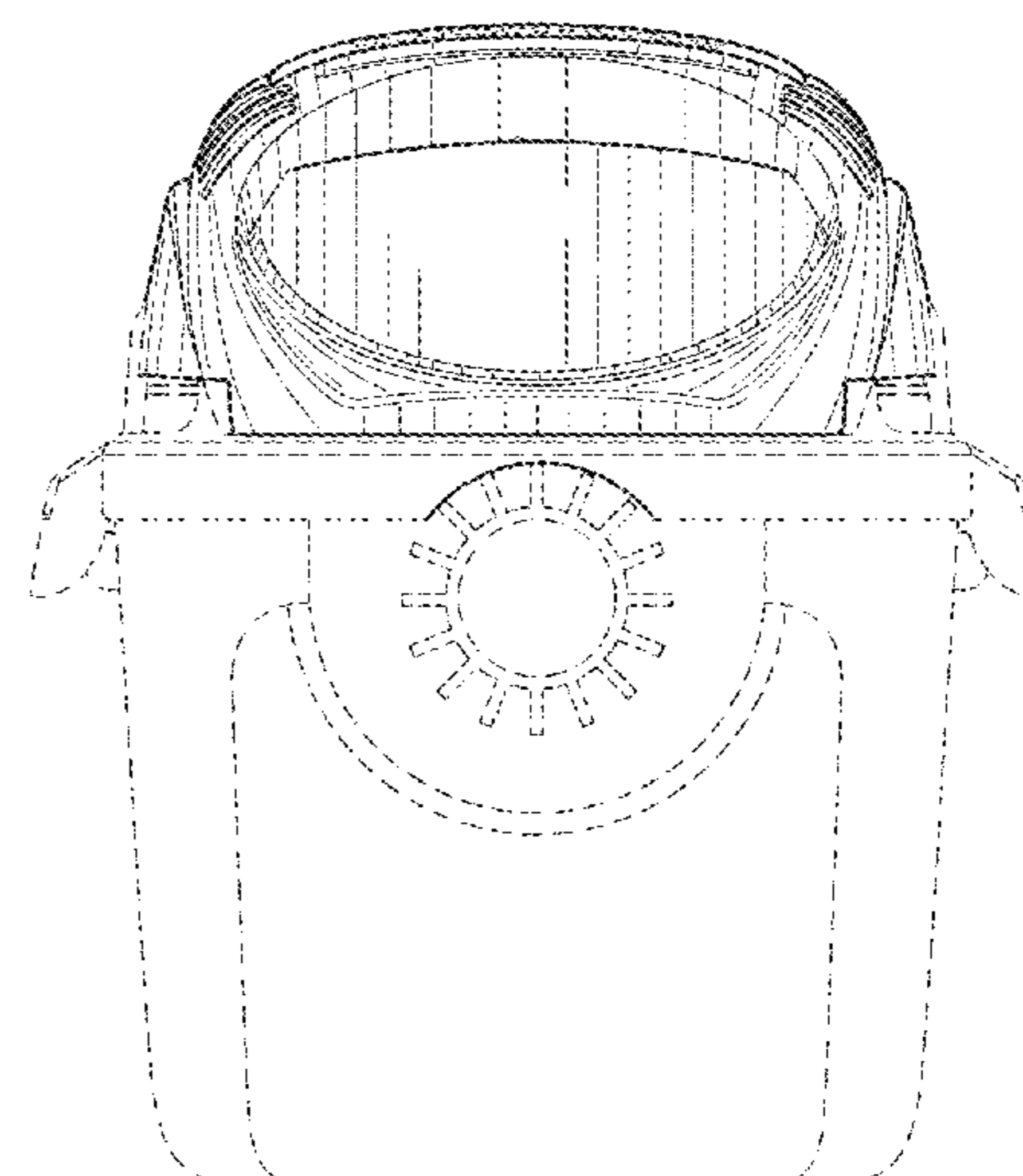
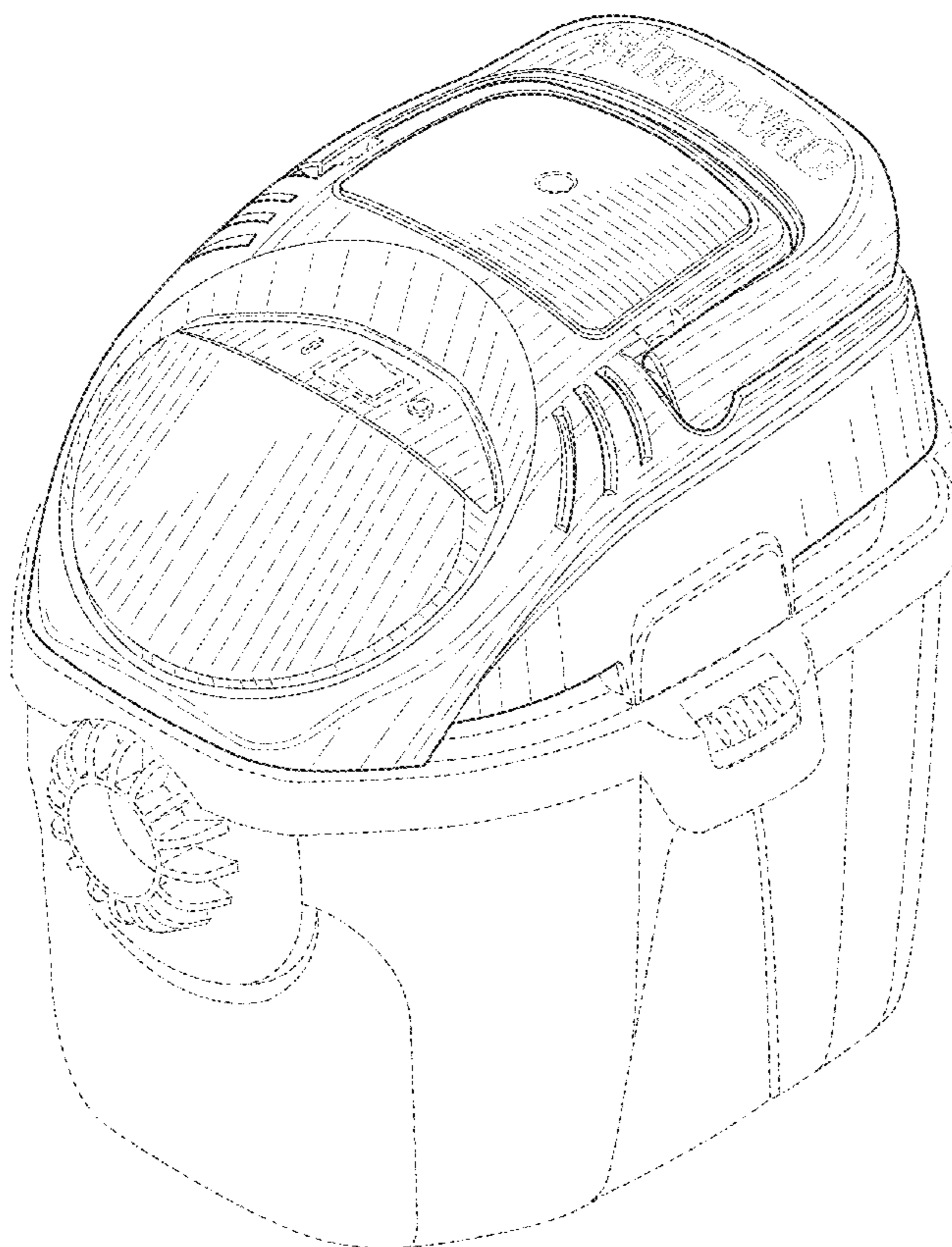
FIG. 3 is a side elevation view thereof, the opposite side being  
a mirror image;

FIG. 4 is a rear elevation view thereof; and,

FIG. 5 is a top plan view thereof.

The broken lines represent unclaimed portions of the vacuum  
cleaner and form no part of the claimed design.

**1 Claim, 3 Drawing Sheets**



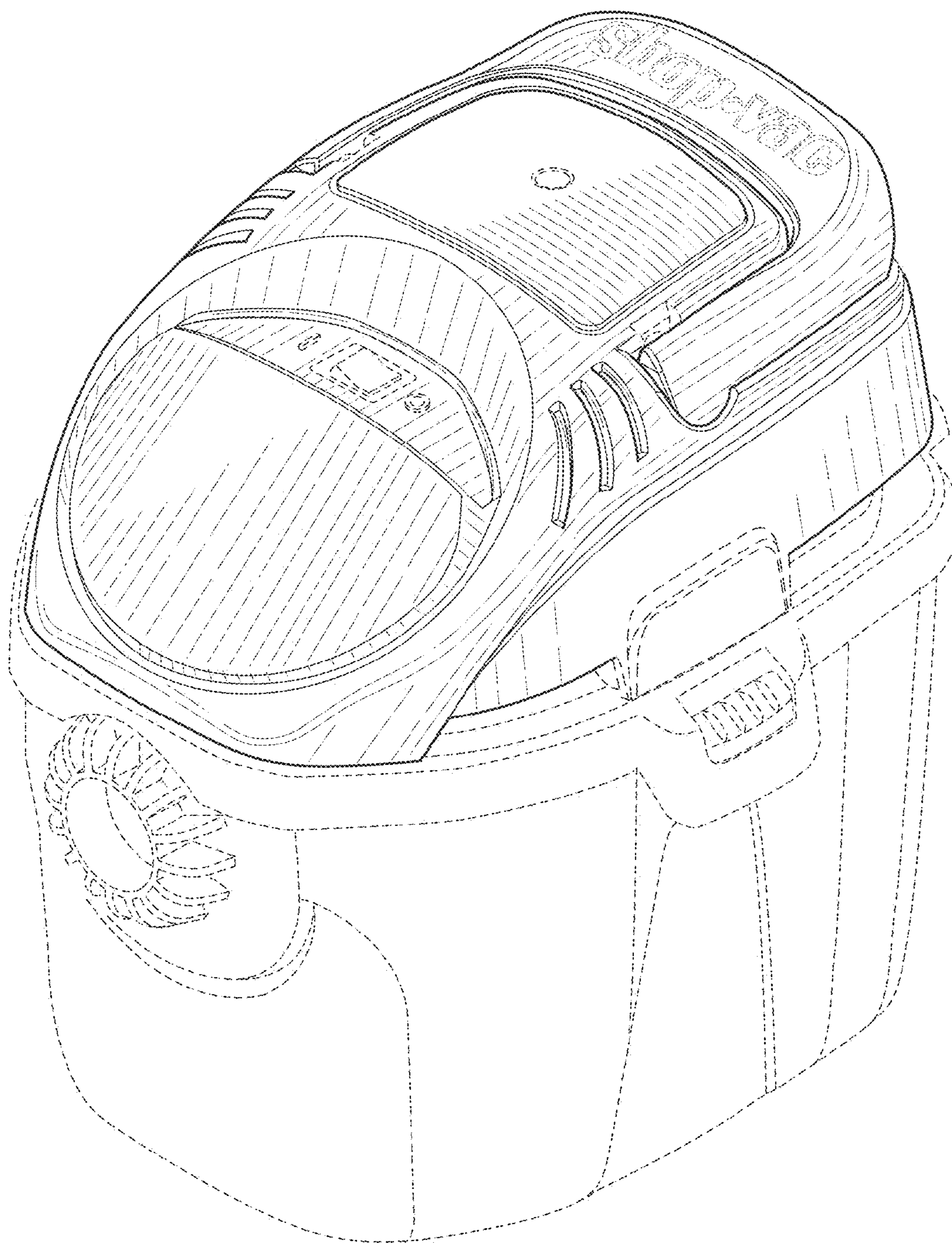
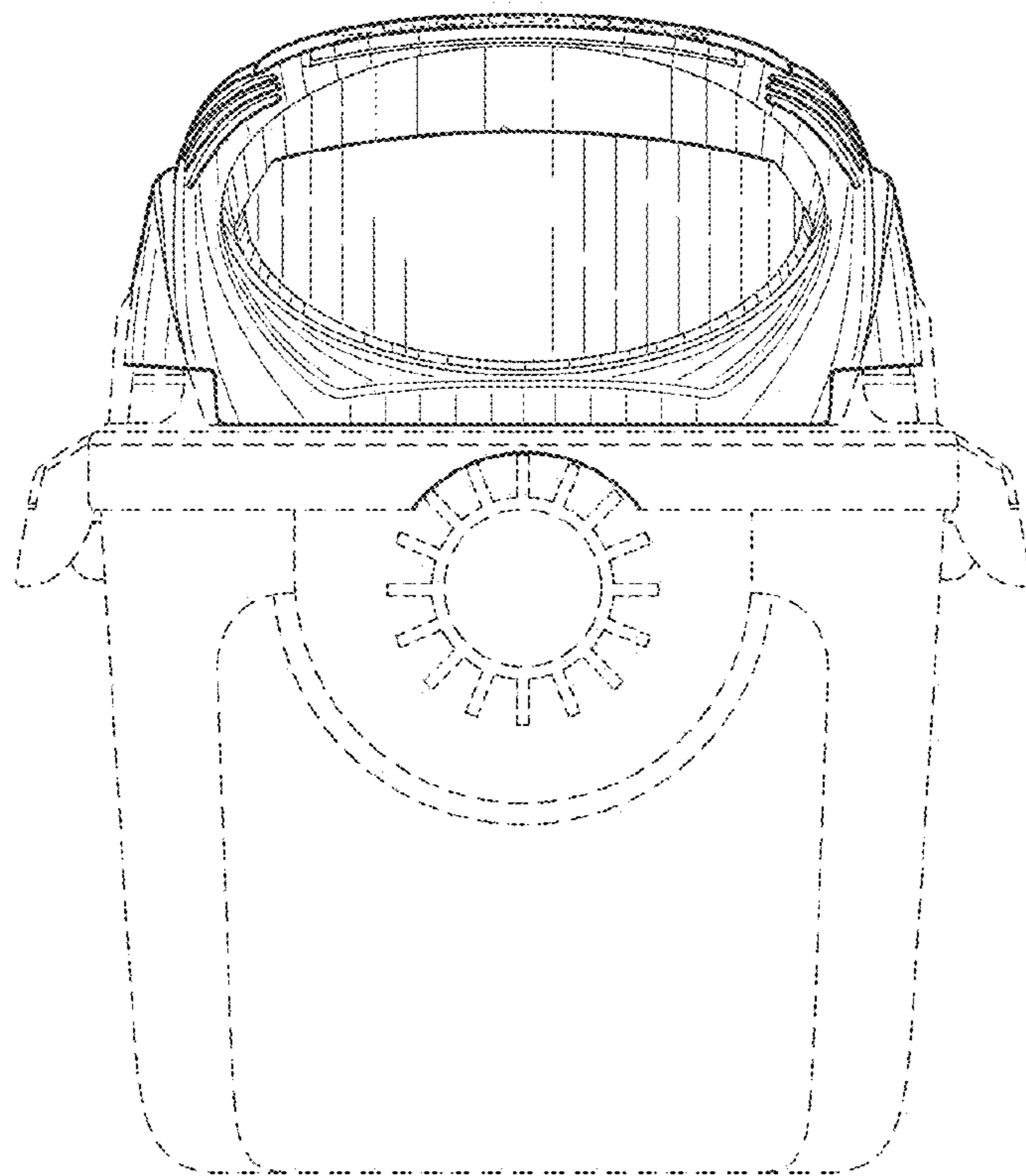
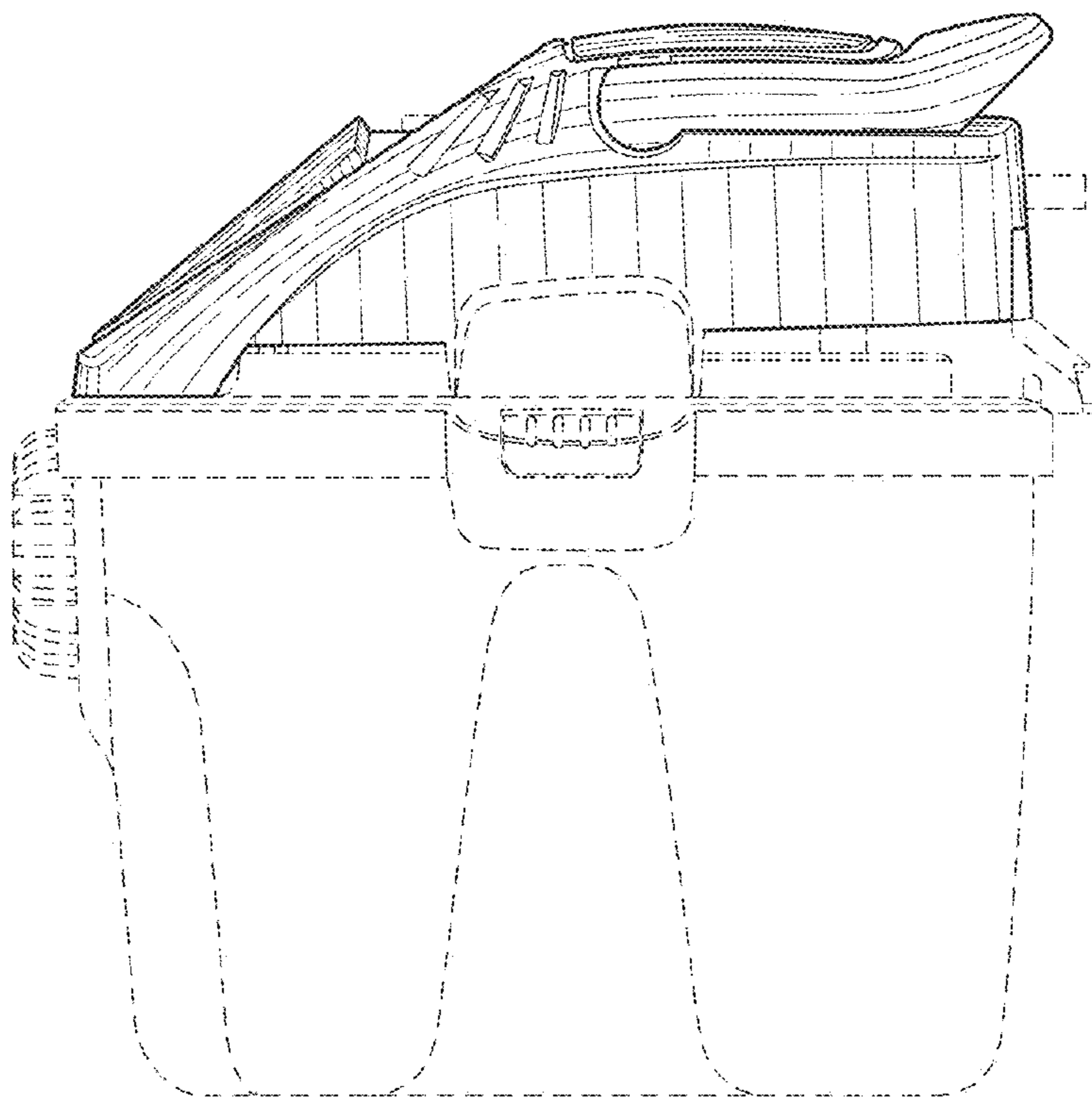


FIG. 1



**FIG. 2**



**FIG. 3**

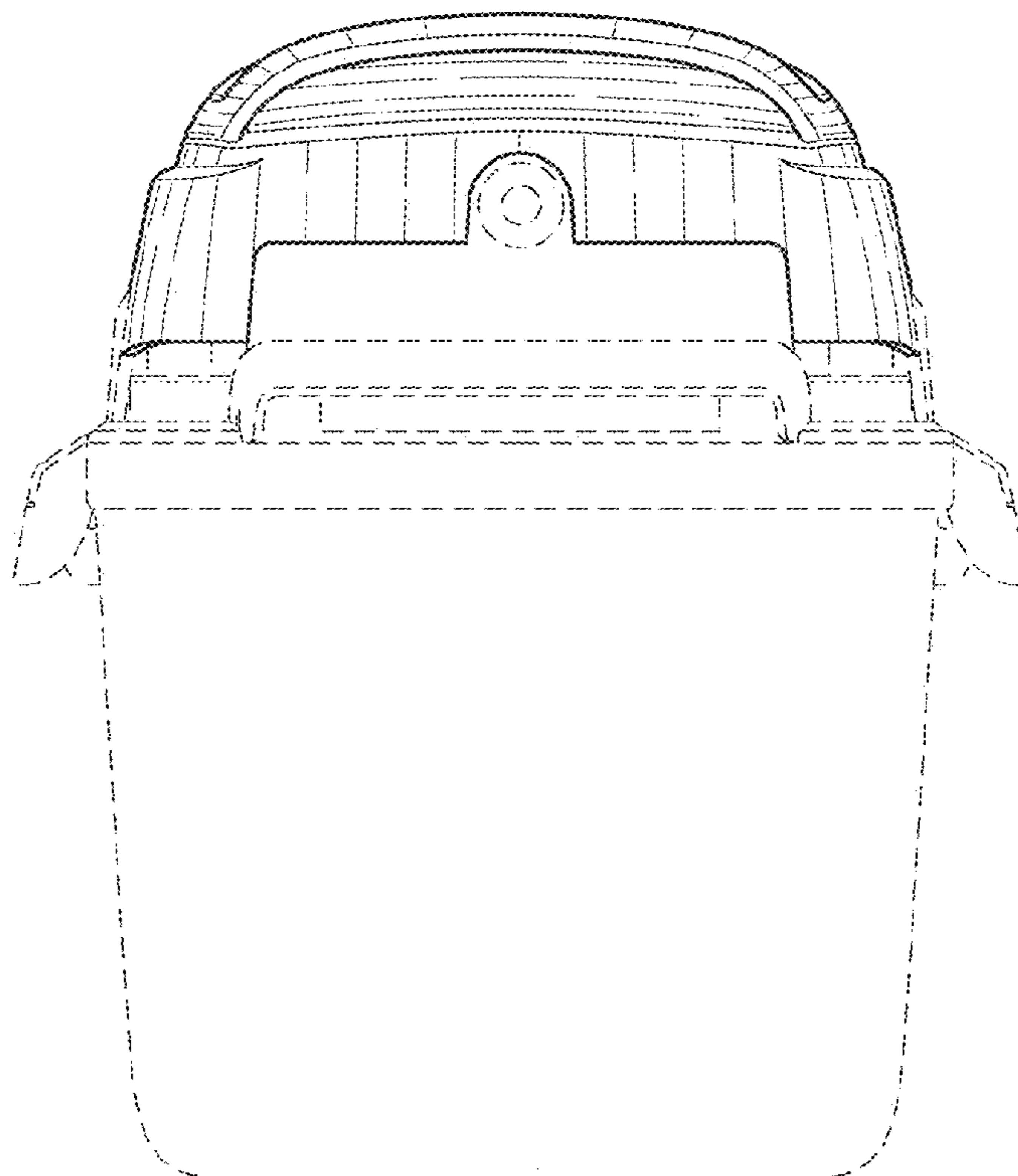


FIG. 4

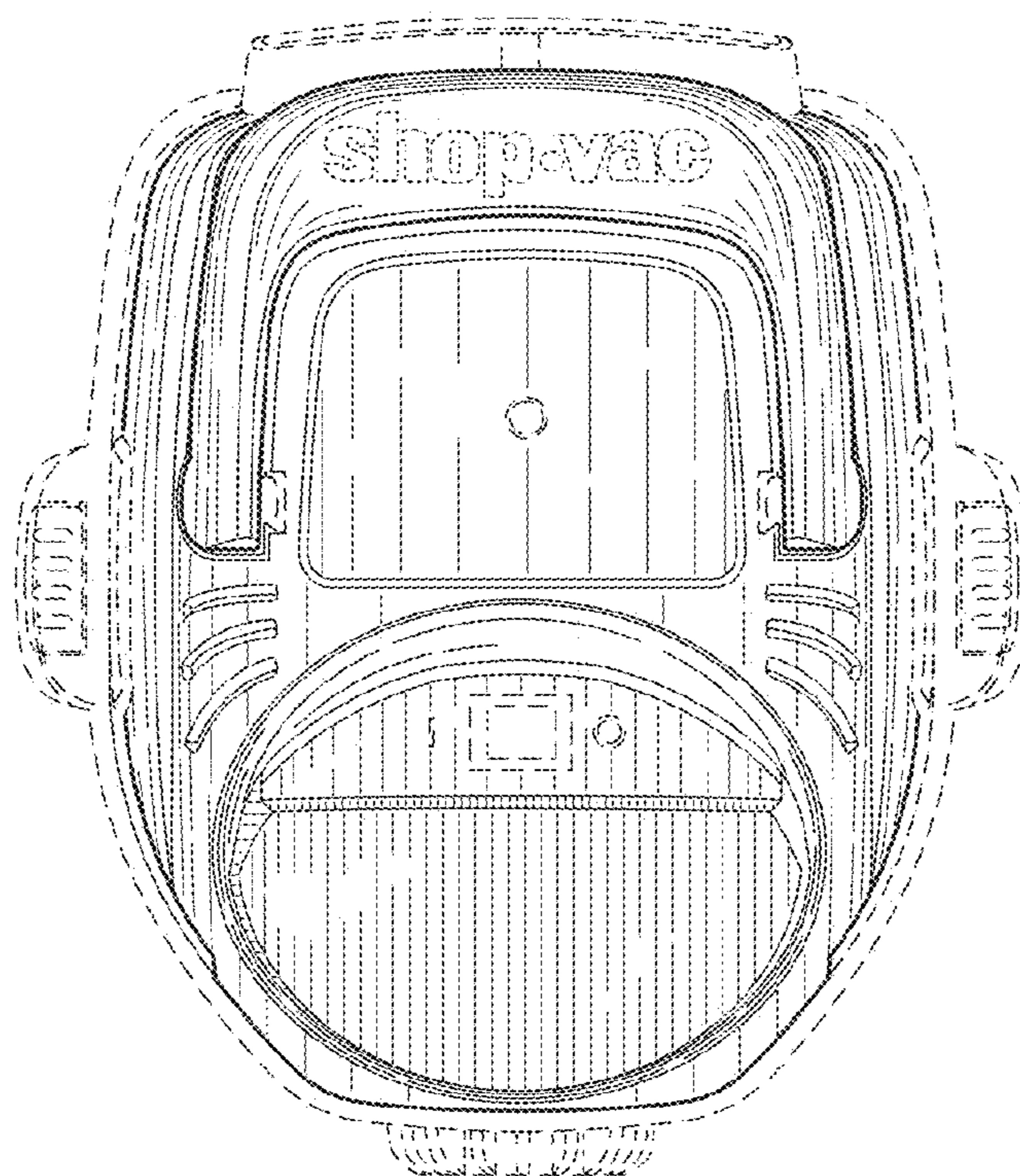


FIG. 5