



US00D683506S

(12) **United States Design Patent**
Kim

(10) **Patent No.:** **US D683,506 S**

(45) **Date of Patent:** **** May 28, 2013**

(54) **DUST COLLECTING CASE FOR VACUUM CLEANER**

(75) Inventor: **Joo-Hyung Kim**, Seoul (KR)

(73) Assignee: **Samsung Electronics Co., Ltd.**,
Suwon-si (KR)

(**) Term: **14 Years**

(21) Appl. No.: **29/384,255**

(22) Filed: **Jan. 28, 2011**

(51) **LOC (9) Cl.** **15-05**

(52) **U.S. Cl.**
USPC **D32/31**

(58) **Field of Classification Search** D32/21,
D32/23-24, 30-31; 15/327.1-327, 7, 328,
15/340.1, 340.2, 353, 347, 301, 336, 320,
15/314, 352, 412; 55/447, 337, 345, DIG. 3
See application file for complete search history.

(56) **References Cited**

U.S. PATENT DOCUMENTS

D406,421	S	*	3/1999	Bobrosky et al.	D32/31
D425,270	S	*	5/2000	Zahuranec	D32/30
D443,740	S	*	6/2001	Stratford	D32/30

D445,974	S	*	7/2001	Stratford	D32/30
D453,245	S	*	1/2002	Murphy et al.	D32/31
D456,963	S	*	5/2002	Murphy et al.	D32/31
D472,683	S	*	4/2003	Stratford	D32/31
2006/0130265	A1	*	6/2006	Oh et al.	15/327.2
2006/0272299	A1	*	12/2006	Choi	55/337
2008/0263816	A1	*	10/2008	Oh et al.	15/347
2010/0162517	A1	*	7/2010	Han et al.	15/352

* cited by examiner

Primary Examiner — Ruth McInroy

(74) *Attorney, Agent, or Firm* — Ladas & Parry LLP

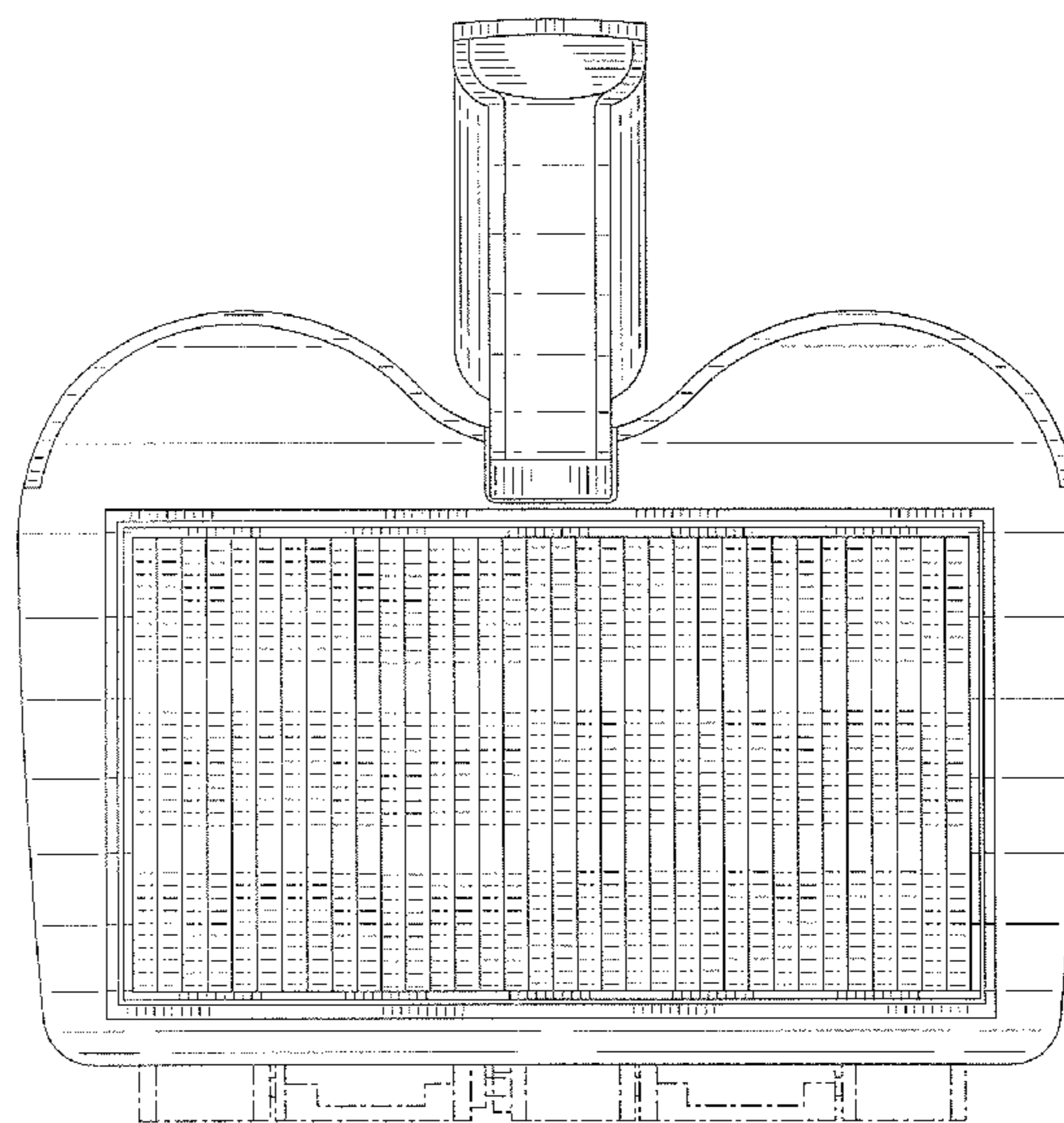
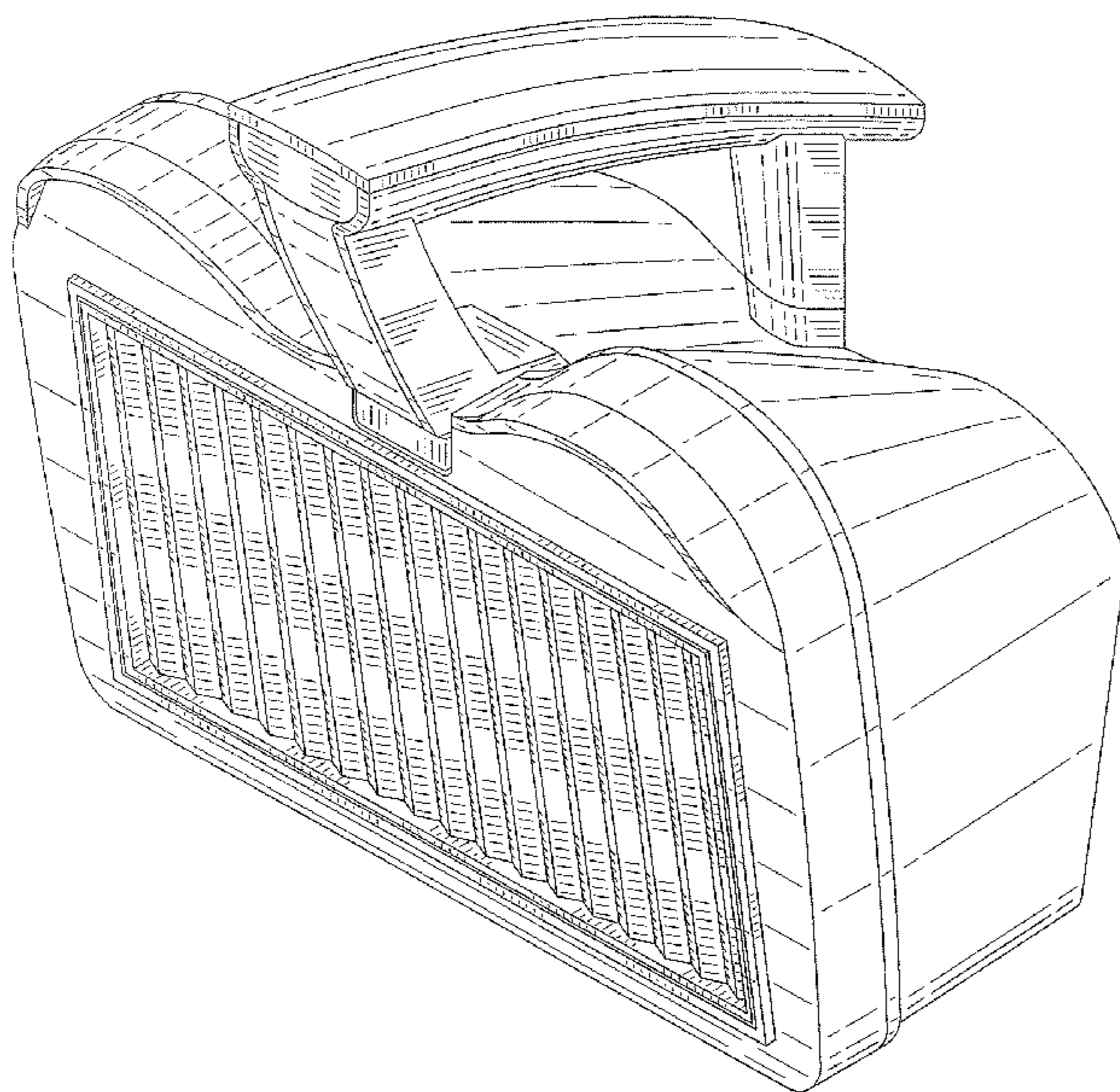
(57) **CLAIM**

I claim the ornamental design for a dust collecting case for a vacuum cleaner, as shown.

DESCRIPTION

FIG. 1 is a top, front, and right-side perspective view of a dust collecting case for a vacuum cleaner showing my new design; FIG. 2 is a front elevational view thereof; FIG. 3 is a rear elevational view thereof; FIG. 4 is a left-side elevational view thereof; FIG. 5 is a right-side elevational view thereof; FIG. 6 is a top plan view thereof; and, FIG. 7 is a bottom plan view thereof.

1 Claim, 7 Drawing Sheets



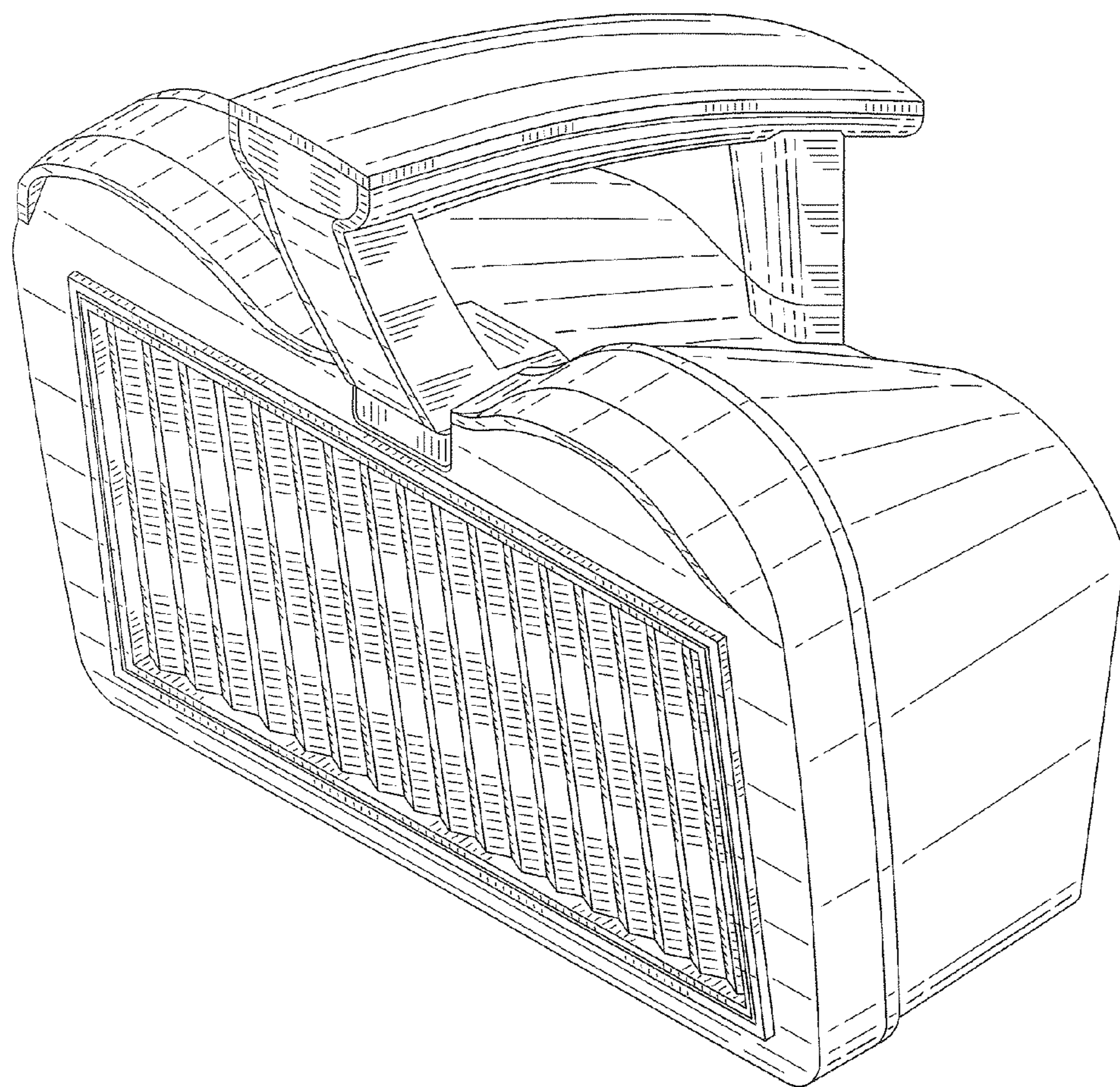


FIG. 1

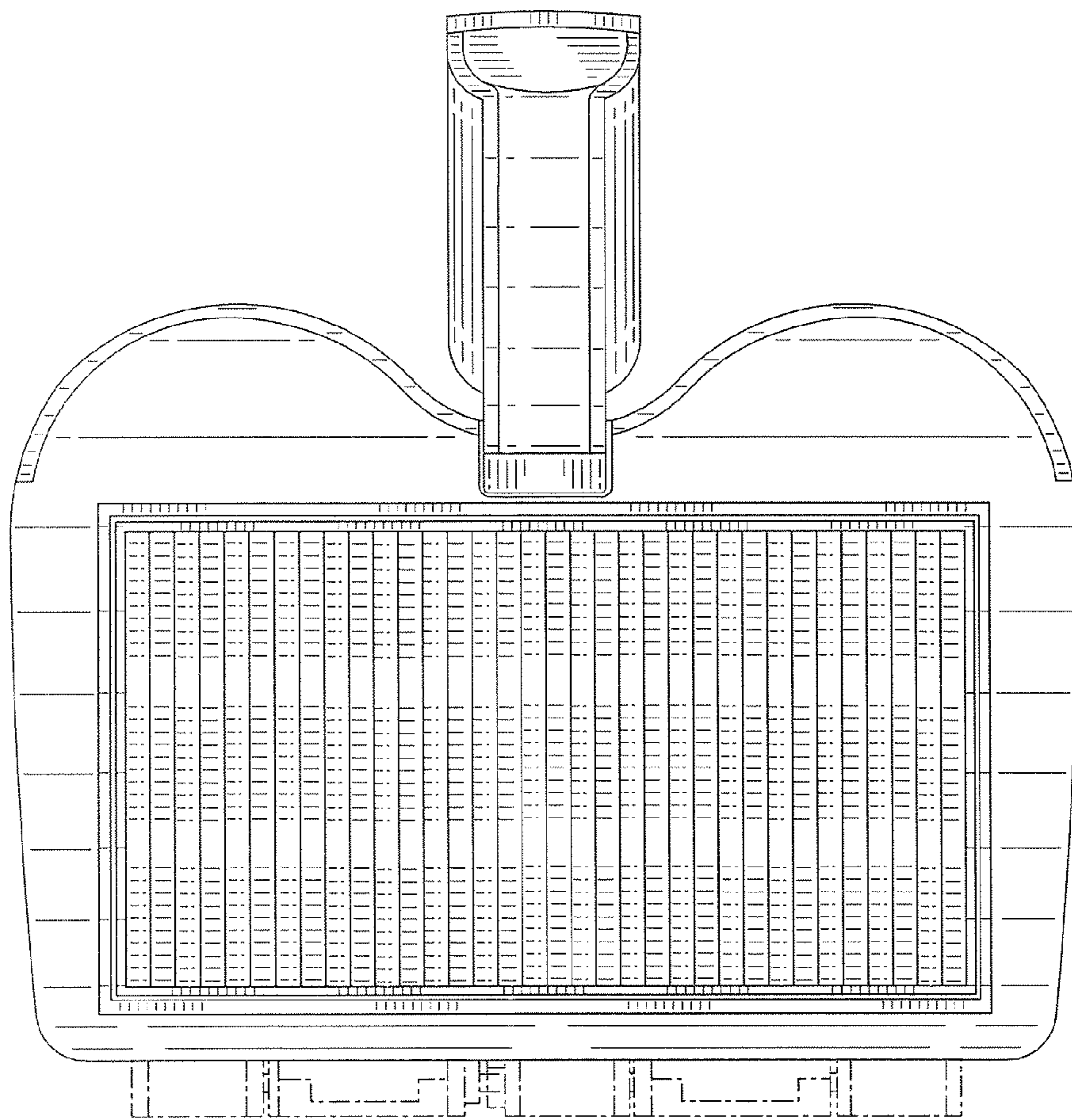


FIG. 2

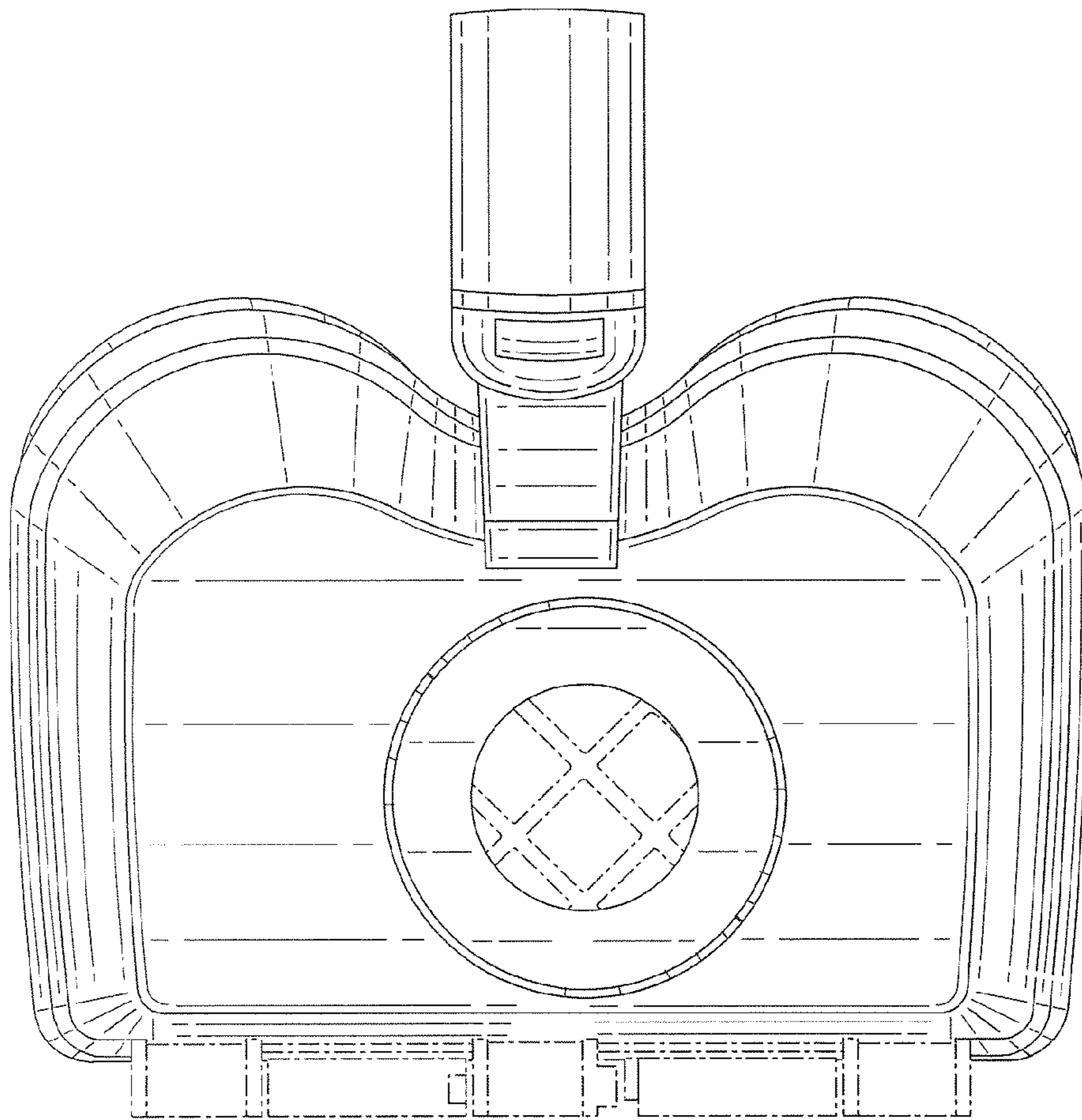


FIG. 3

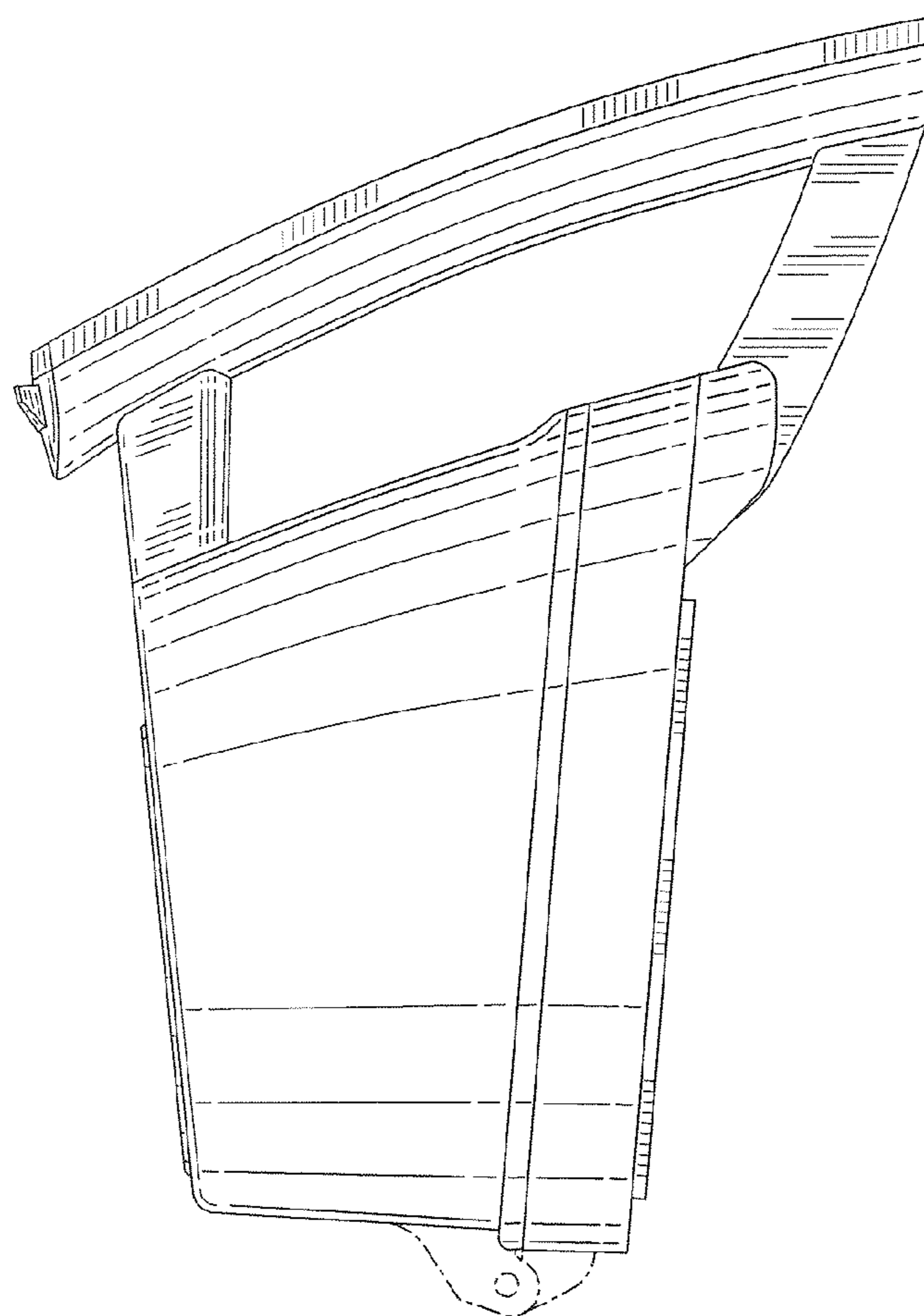


FIG. 4

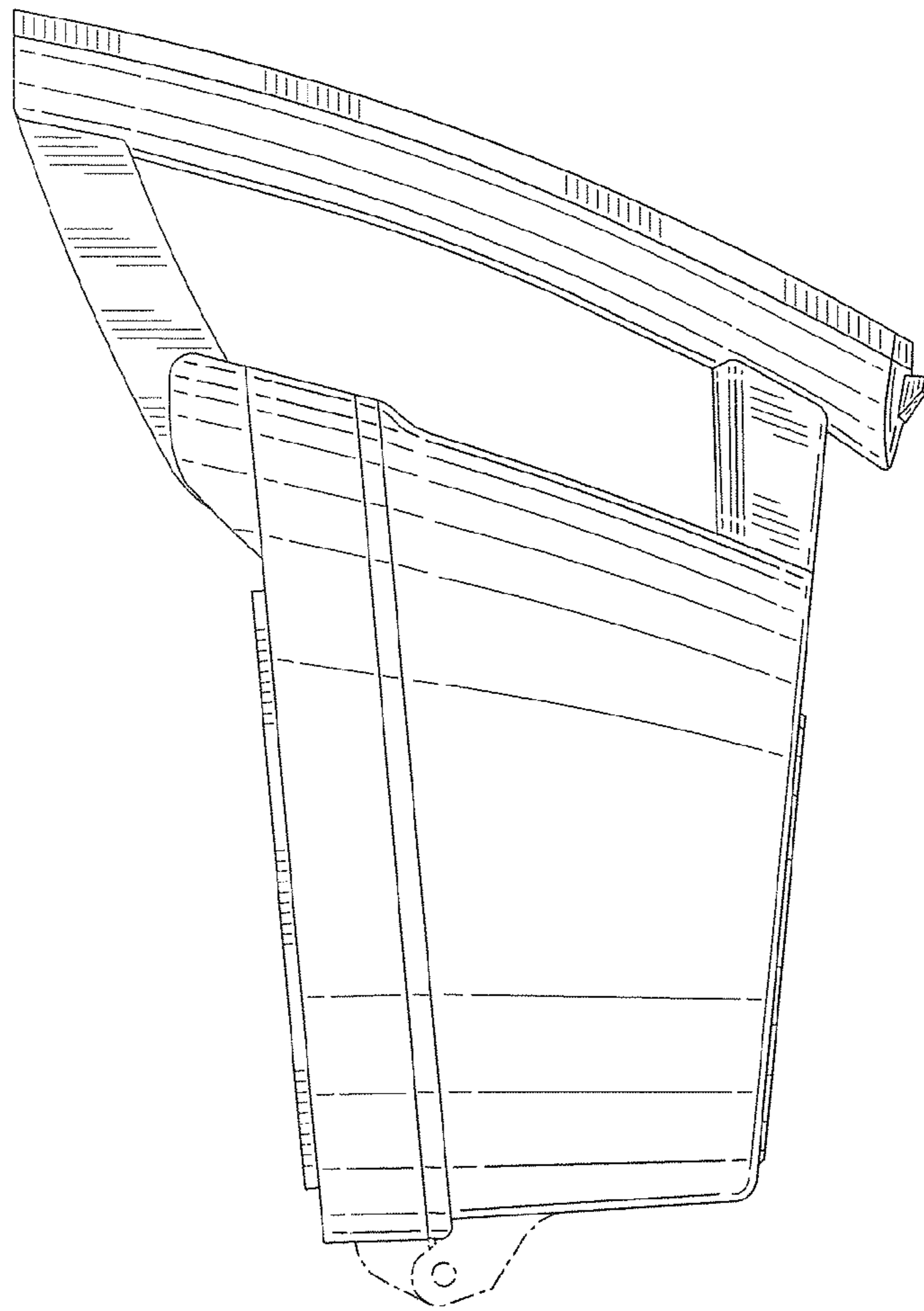


FIG. 5

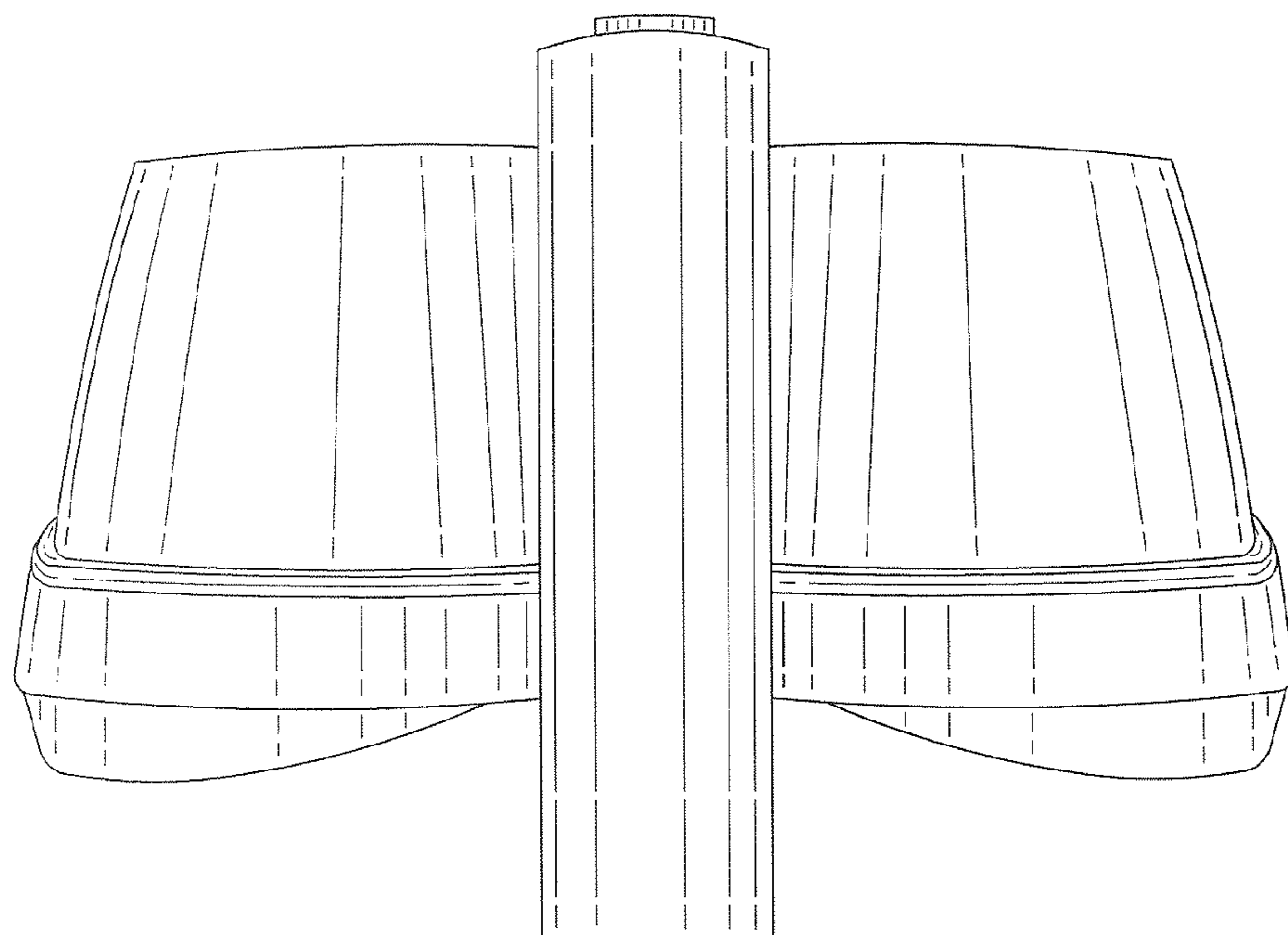


FIG. 6

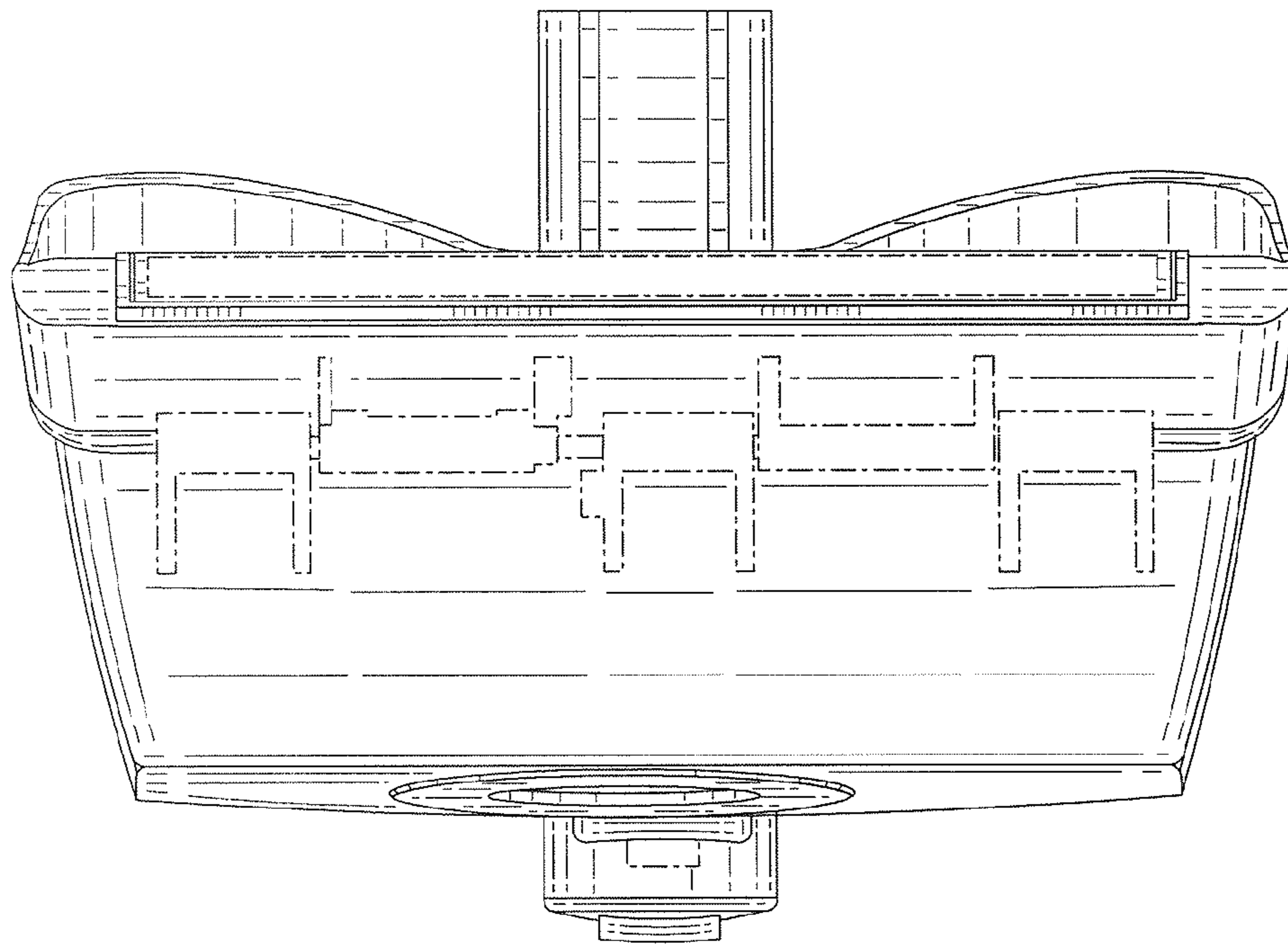


FIG. 7