



US00D683501S

(12) **United States Design Patent**
Klotz et al.

(10) **Patent No.:** **US D683,501 S**

(45) **Date of Patent:** **** May 28, 2013**

(54) **VISOR FRAME**

(75) Inventors: **Robert Klotz**, Jefferson Hills, PA (US);
Rebecca Kreke, Pittsburgh, PA (US);
Mark Hall, Spring Church, PA (US)

(73) Assignee: **Mine Safety Appliances Company**,
Cranberry Township, PA (US)

(**) Term: **14 Years**

(21) Appl. No.: **29/388,917**

(22) Filed: **Apr. 4, 2011**

(51) **LOC (9) Cl.** **29-02**

(52) **U.S. Cl.**
USPC **D29/109**

(58) **Field of Classification Search** D29/100,
D29/102-110, 122; D2/891, 893, 894; D24/110.1,
D24/110.2, 191; 2/410, 411, 412, 424, 425,
2/10, 15, 452, 454, 9, 206; 128/857, 858
See application file for complete search history.

(56) **References Cited**

U.S. PATENT DOCUMENTS

1,452,305	A *	4/1923	Mahony	2/12
1,790,328	A *	1/1931	Savage	2/12
2,286,287	A *	6/1942	Livingston	2/174
3,237,204	A *	3/1966	Honsaker et al.	2/13
3,480,966	A *	12/1969	Molitoris et al.	2/421
3,605,115	A *	9/1971	Bohner	2/10
D299,766	S *	2/1989	Friedson	D29/122
D333,366	S *	2/1993	Brown	D29/109
D403,492	S *	1/1999	Tseng	D2/893
D404,848	S *	1/1999	Banuchi	D29/110

D427,381	S *	6/2000	Ho	D29/109
D454,667	S *	3/2002	Chartrand et al.	D29/110
D454,988	S *	3/2002	Simpson	D29/122
D455,523	S *	4/2002	Yungblut	D29/122
D455,524	S *	4/2002	Simpson	D29/122
D457,987	S *	5/2002	Cheng	D29/122
D539,485	S *	3/2007	Huh	D29/110
D584,010	S *	12/2008	Fernandes et al.	D29/122
D587,858	S *	3/2009	Brace et al.	D29/122
D607,608	S *	1/2010	Taylor	D29/109
D612,544	S *	3/2010	Brace et al.	D29/122
D624,287	S *	9/2010	Shamchander	D2/892

* cited by examiner

Primary Examiner — Elizabeth J Oswecki

(74) *Attorney, Agent, or Firm* — Bartony & Associates, LLC

(57) **CLAIM**

The ornamental design for a visor frame, as shown and described.

DESCRIPTION

FIG. 1 is a perspective view of a visor frame showing our new design;

FIG. 2 a perspective view of the visor frame of FIG. 1 attached to a helmet, wherein the helmet is shown in broken lines;

FIG. 3 is a front view of the visor frame of FIG. 1;

FIG. 4 is a rear view of the visor frame of FIG. 1;

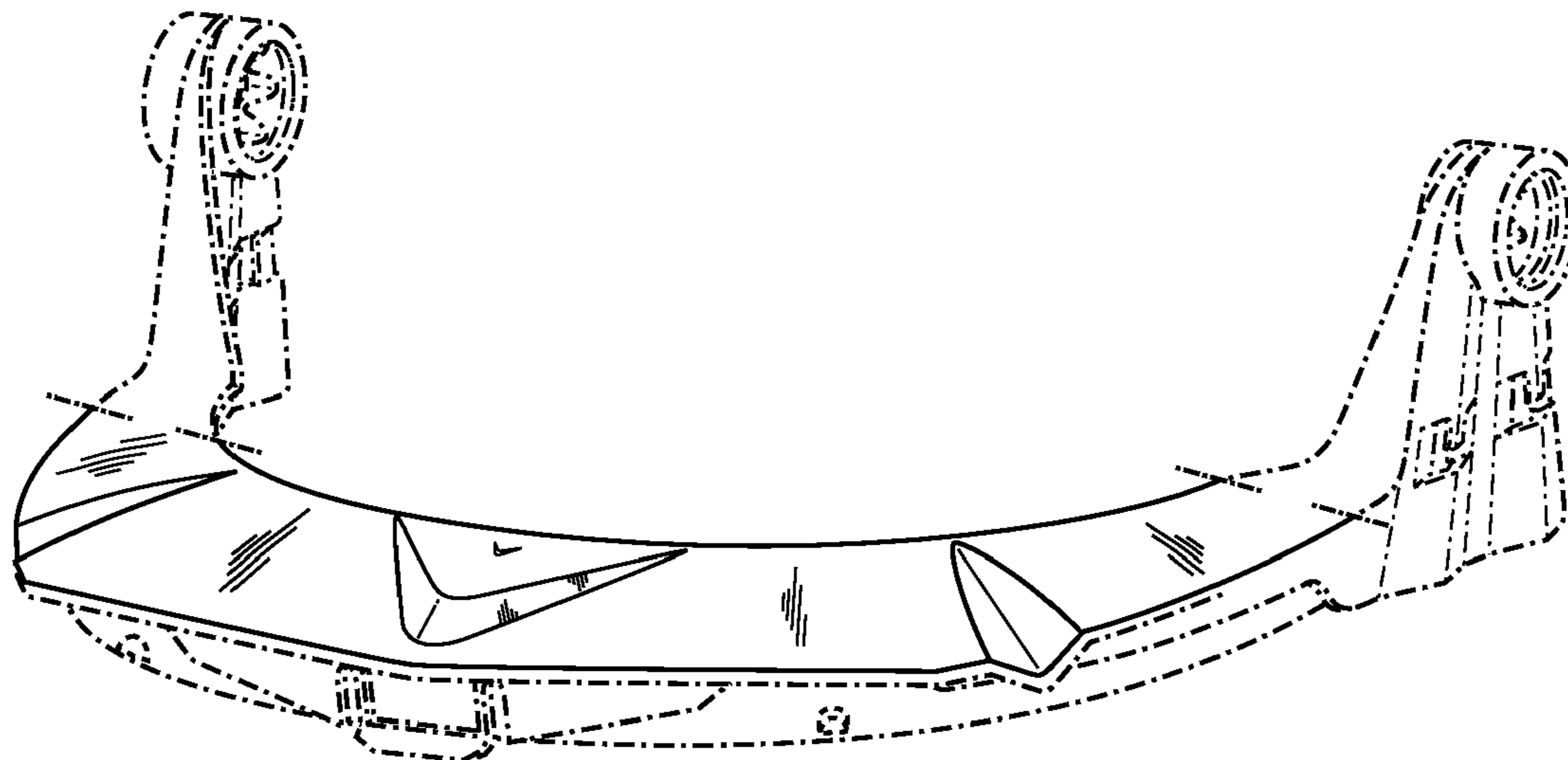
FIG. 5 is a side view of the visor frame of FIG. 1, of which the opposite side view is identical;

FIG. 6 is a top plan view of the visor frame of FIG. 1; and,

FIG. 7 is a bottom plan view of the visor frame of FIG. 1.

The dashed-dot-dashed lines at the edge of the visor represent the boundary between the claimed and unclaimed areas.

1 Claim, 4 Drawing Sheets



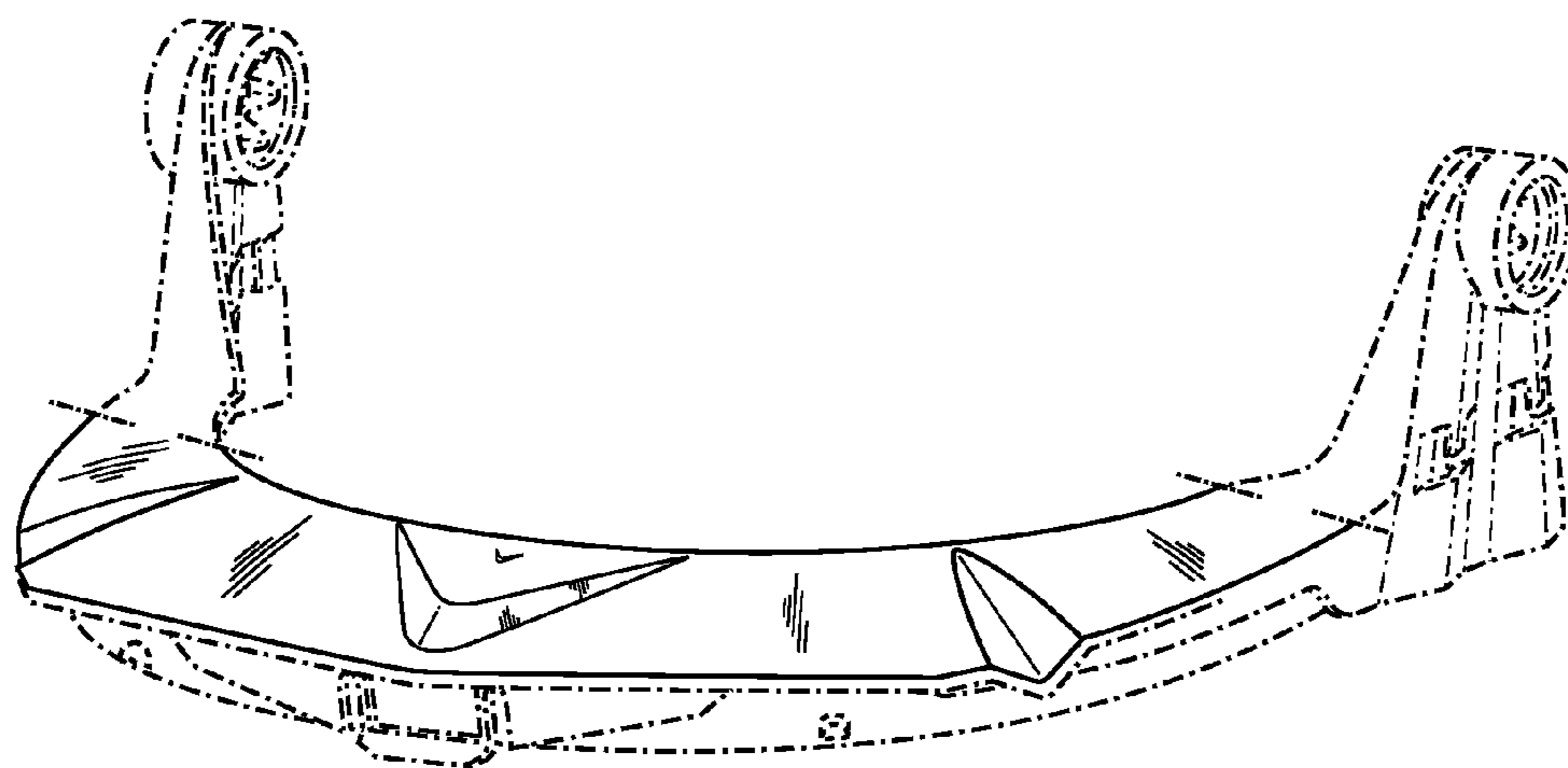


FIG. 1

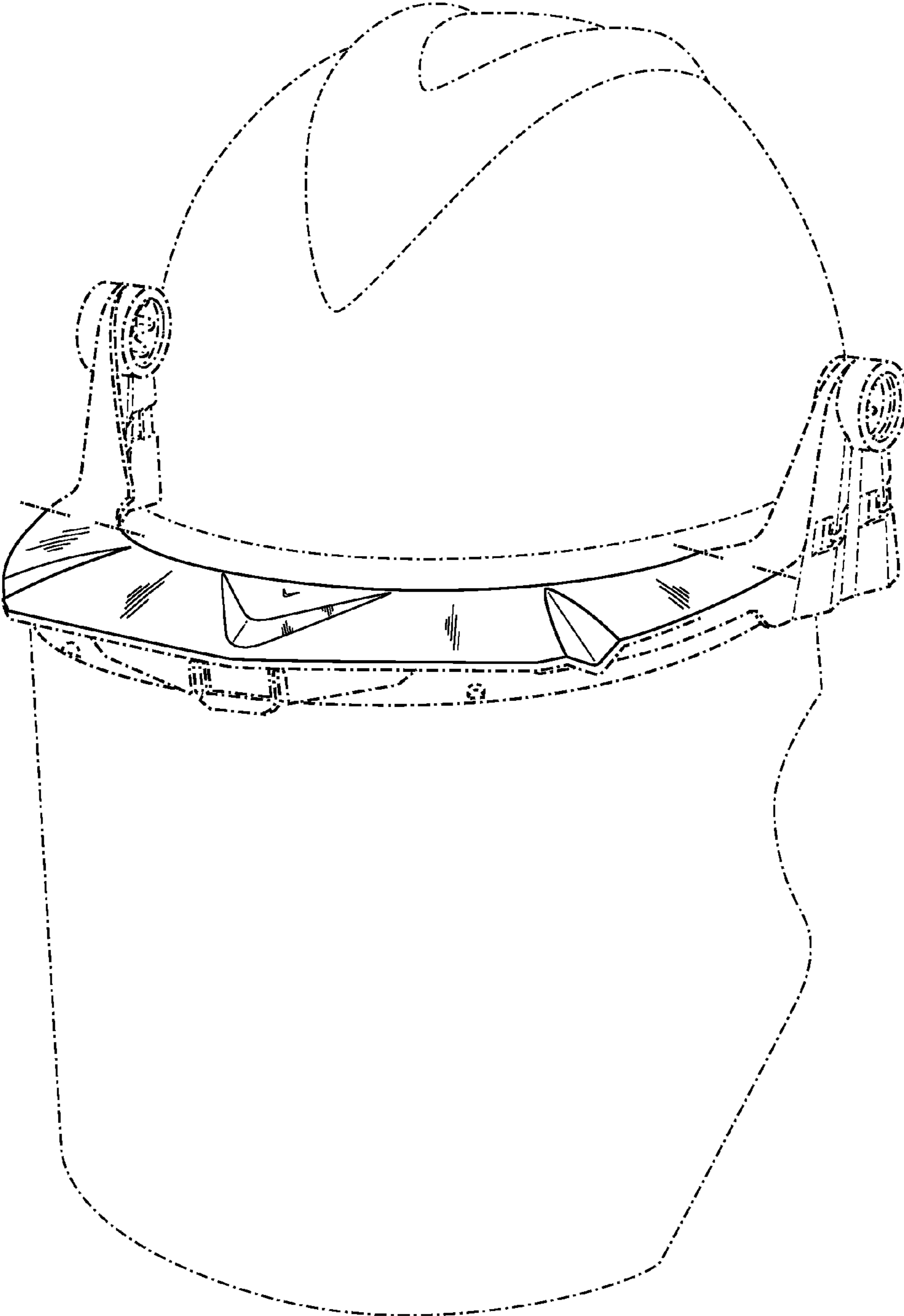


FIG. 2

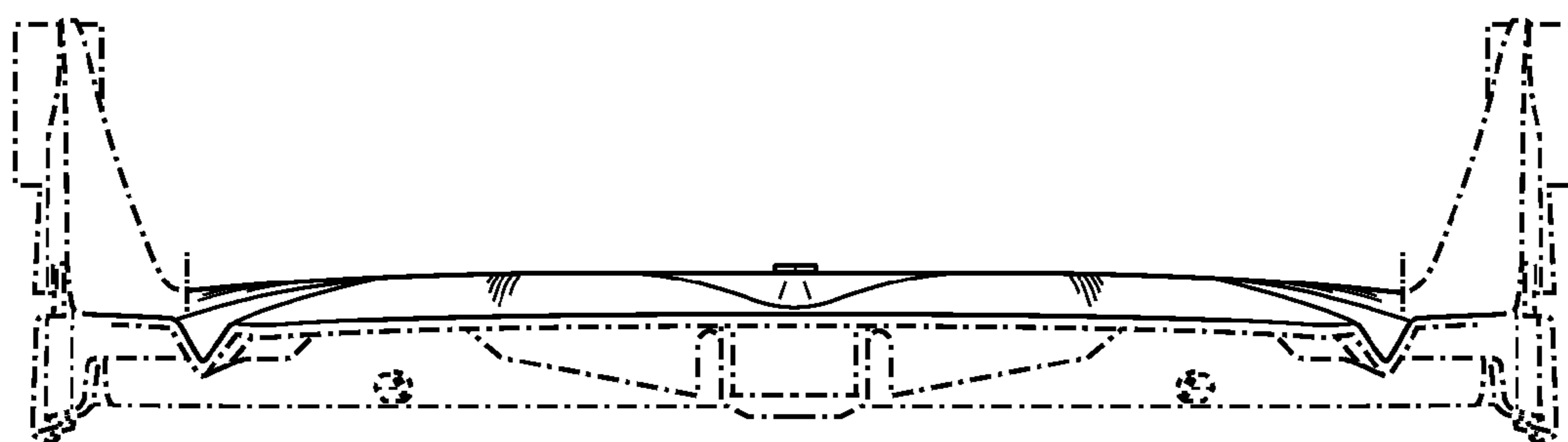


FIG. 3

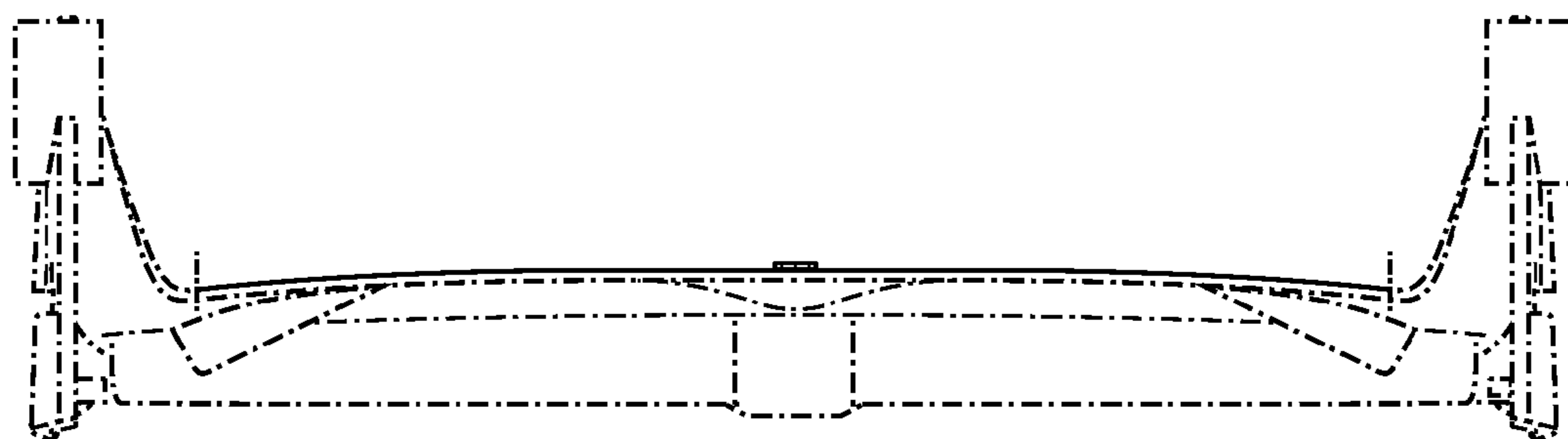


FIG. 4

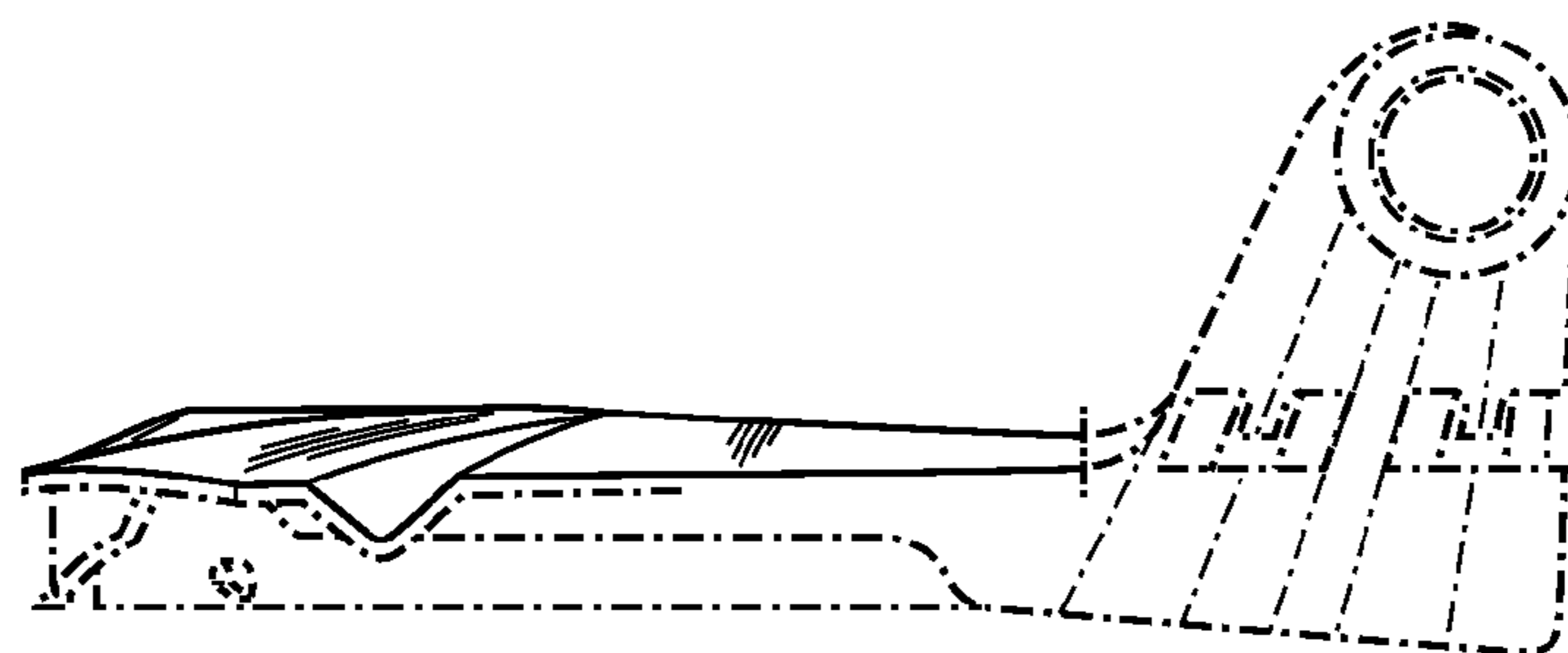


FIG. 5

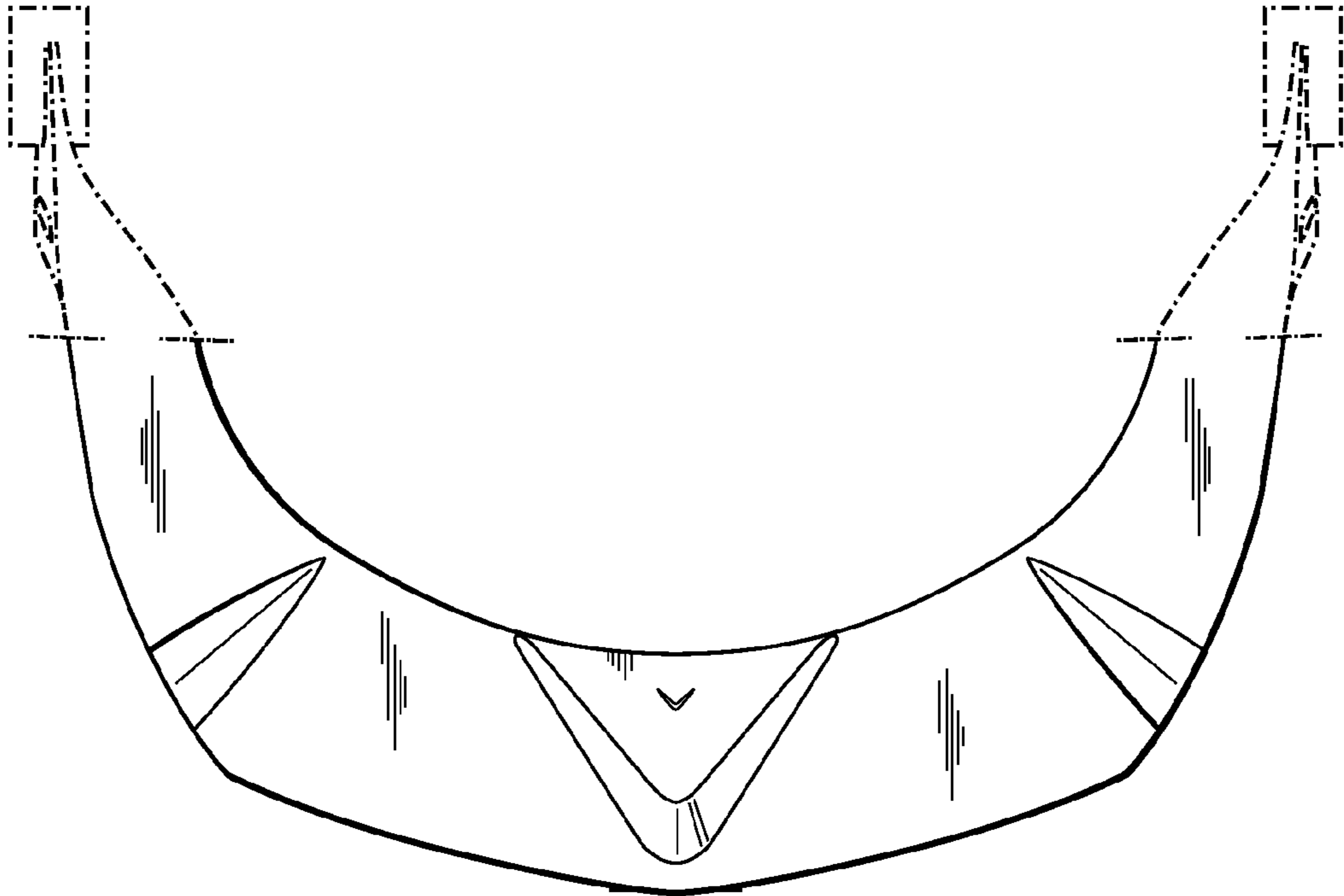


FIG. 6

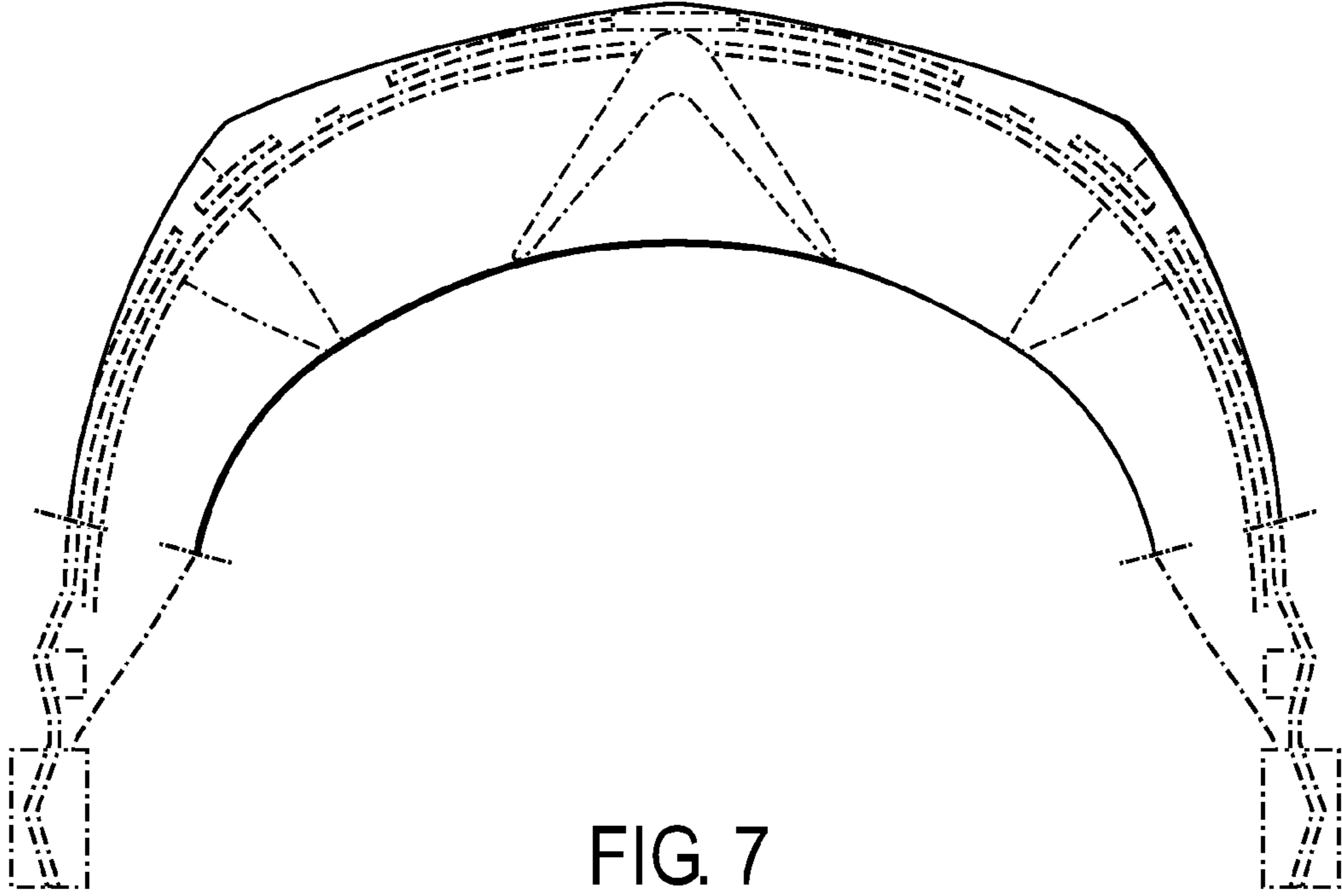


FIG. 7