



US00D683500S

(12) **United States Design Patent**
Cheung

(10) **Patent No.:** **US D683,500 S**

(45) **Date of Patent:** **** May 28, 2013**

(54) **INDUCTION HAIR CURLER BASE**

(76) Inventor: **Maggie Cheung**, Hong Kong (HK)

(**) Term: **14 Years**

(21) Appl. No.: **29/416,114**

(22) Filed: **Mar. 19, 2012**

(51) **LOC (9) Cl.** **28-03**

(52) **U.S. Cl.**
USPC **D28/38**; D28/73

(58) **Field of Classification Search** D28/35-38,
D28/73; 132/223-272; 219/222, 225-226; 392/403;
D32/17

See application file for complete search history.

| | | | | | |
|--------------|------|---------|--------------------|-------|---------|
| 5,749,379 | A * | 5/1998 | Stillwagon et al. | | 132/200 |
| 5,798,500 | A * | 8/1998 | Stillwagon et al. | | 219/242 |
| 5,896,864 | A * | 4/1999 | Boyle et al. | | 132/228 |
| D481,673 | S * | 11/2003 | Hsu | | D13/107 |
| 7,171,704 | B2 * | 2/2007 | Johnson | | 4/518 |
| D621,094 | S * | 8/2010 | Kaizuka | | D28/38 |
| 2010/0288298 | A1 * | 11/2010 | Serresvives et al. | | 132/272 |
| 2012/0111356 | A1 * | 5/2012 | Vacheron et al. | | 132/228 |

* cited by examiner

Primary Examiner — Jennifer Rivard

(74) *Attorney, Agent, or Firm* — Jeffrey Sonnabend;
SonnabendLaw

(57) **CLAIM**

I claim the ornamental design for an induction hair curler base, as shown and described.

(56) **References Cited**

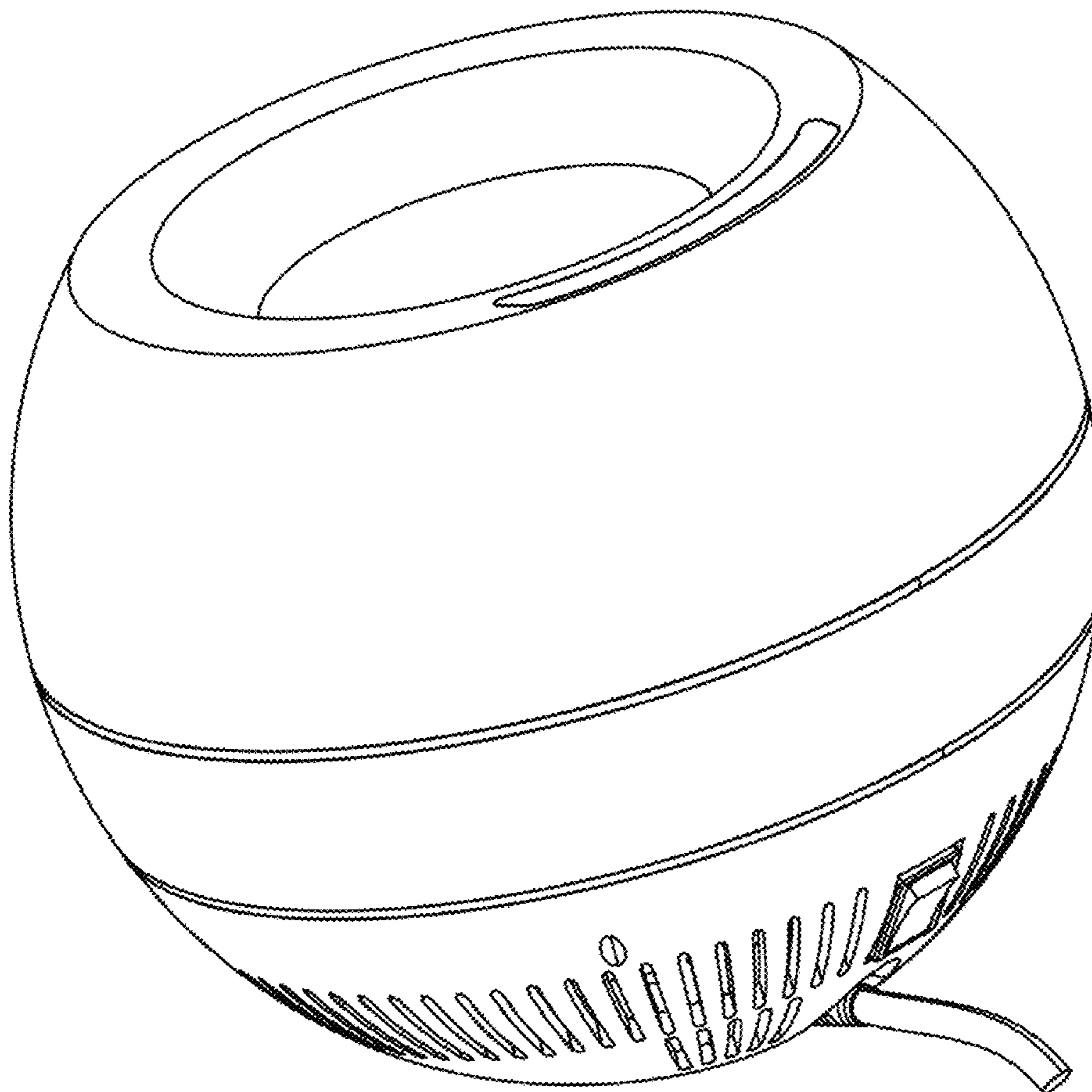
U.S. PATENT DOCUMENTS

| | | | | | |
|-----------|-----|---------|------------------|-------|---------|
| 3,946,196 | A * | 3/1976 | Waters et al. | | 219/222 |
| 4,499,355 | A * | 2/1985 | Walter | | 219/618 |
| 4,803,341 | A * | 2/1989 | Barowski et al. | | 219/222 |
| 5,309,930 | A * | 5/1994 | Presser | | 132/272 |
| D357,766 | S * | 4/1995 | Prince et al. | | D28/38 |
| D362,922 | S * | 10/1995 | Prince et al. | | D28/38 |
| D363,140 | S * | 10/1995 | Accumanno et al. | | D28/38 |
| 5,715,360 | A * | 2/1998 | Montagnino | | 392/403 |

DESCRIPTION

FIG. 1 is a top perspective view of the claimed design.
FIG. 2 is a bottom perspective view of the claimed design.
FIG. 3 is a front elevation view of the claimed design.
FIG. 4 is a rear elevation view of the claimed design; and,
FIG. 5 is a side elevation view of the claimed design, the
opposite is a mirror image thereof.

1 Claim, 5 Drawing Sheets



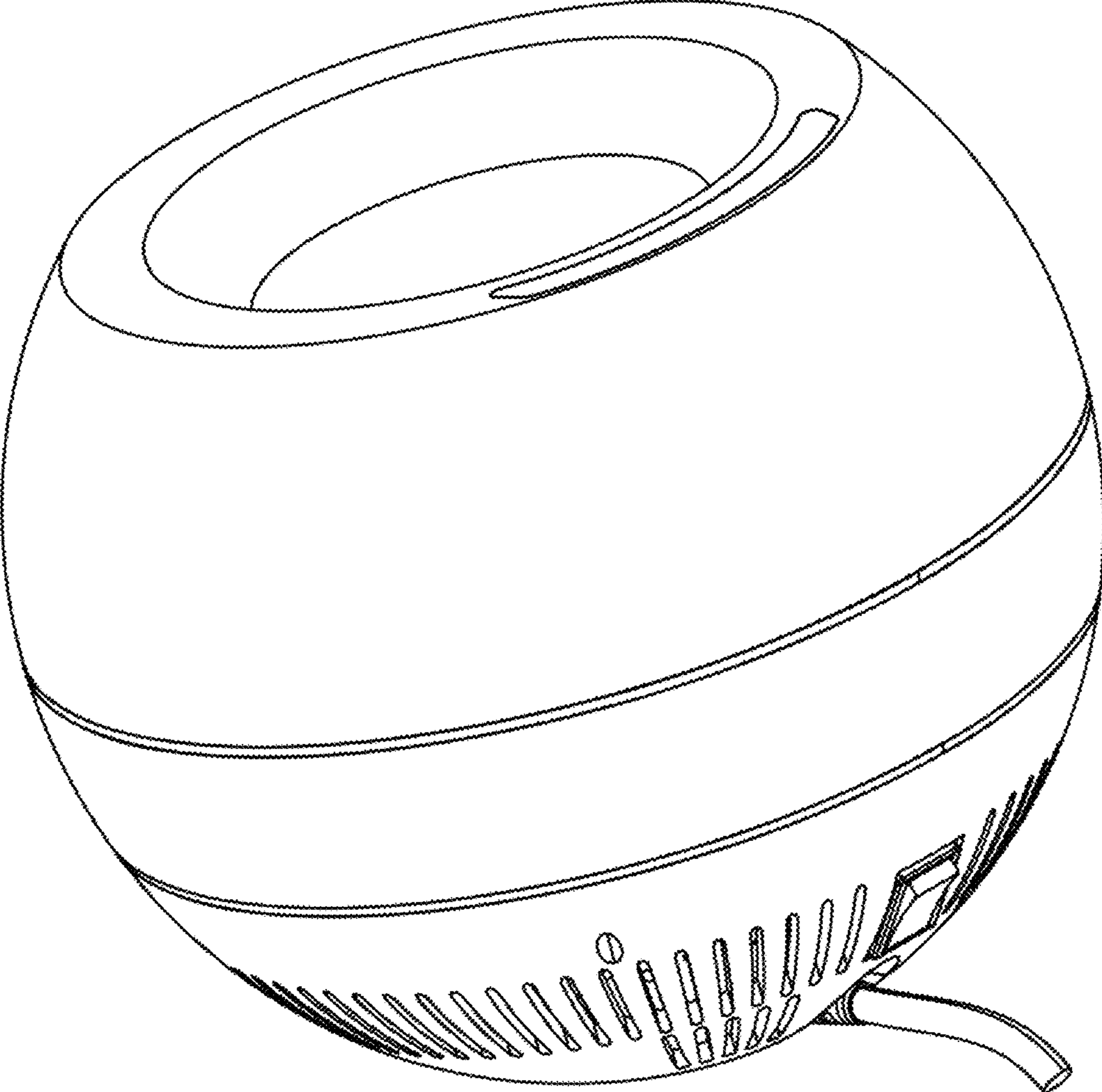


FIGURE 1

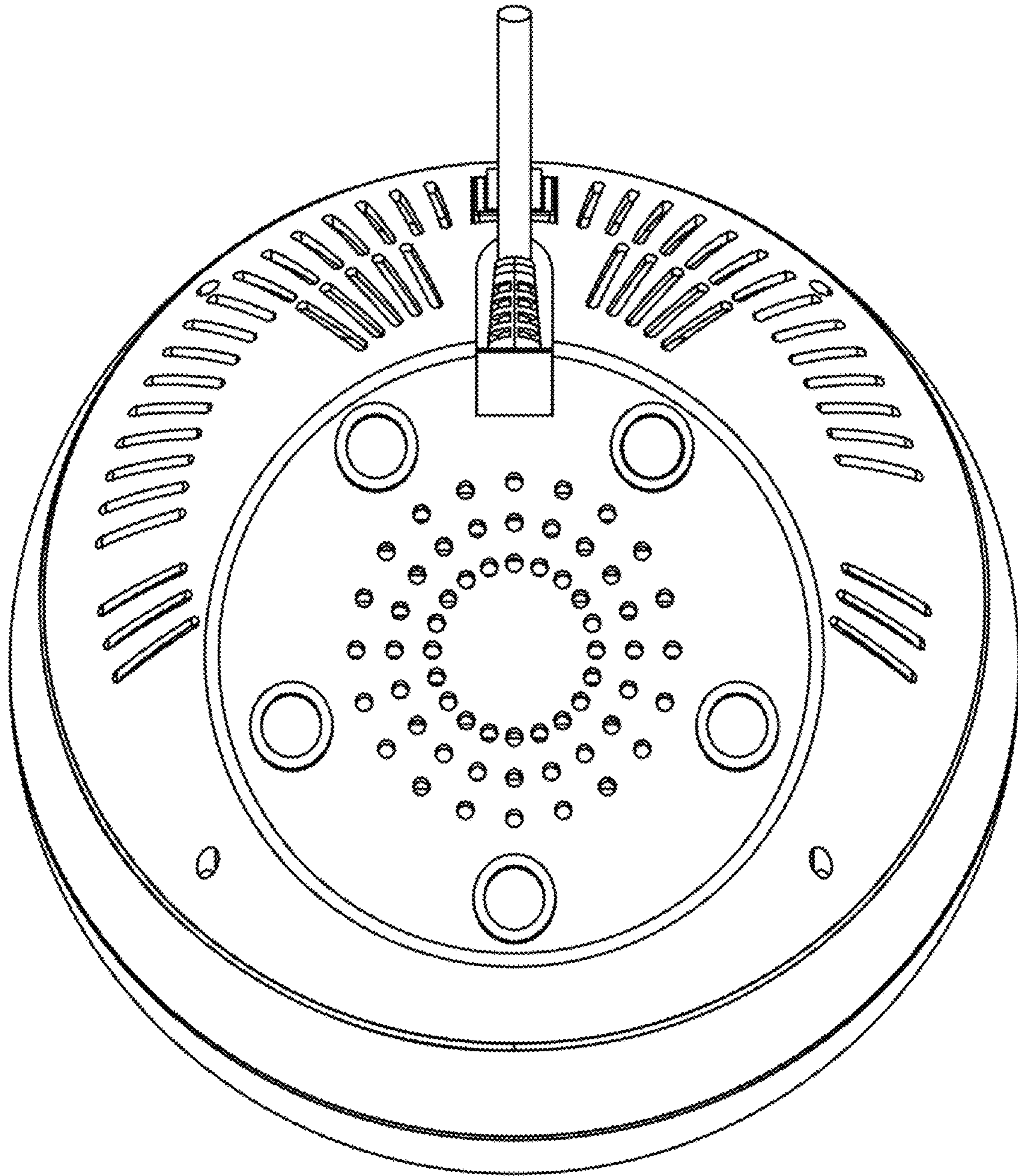


FIGURE 2

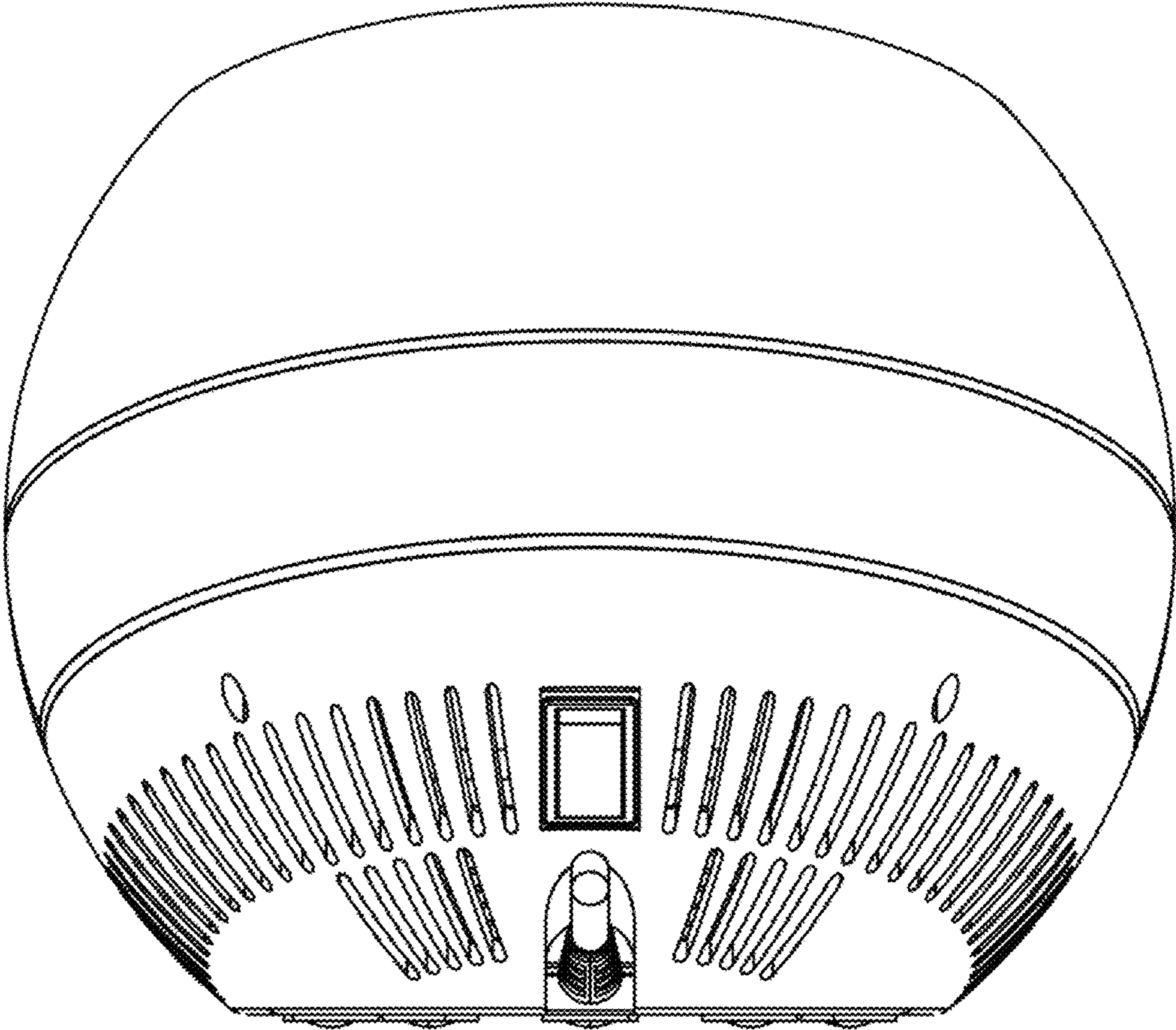


FIGURE 3

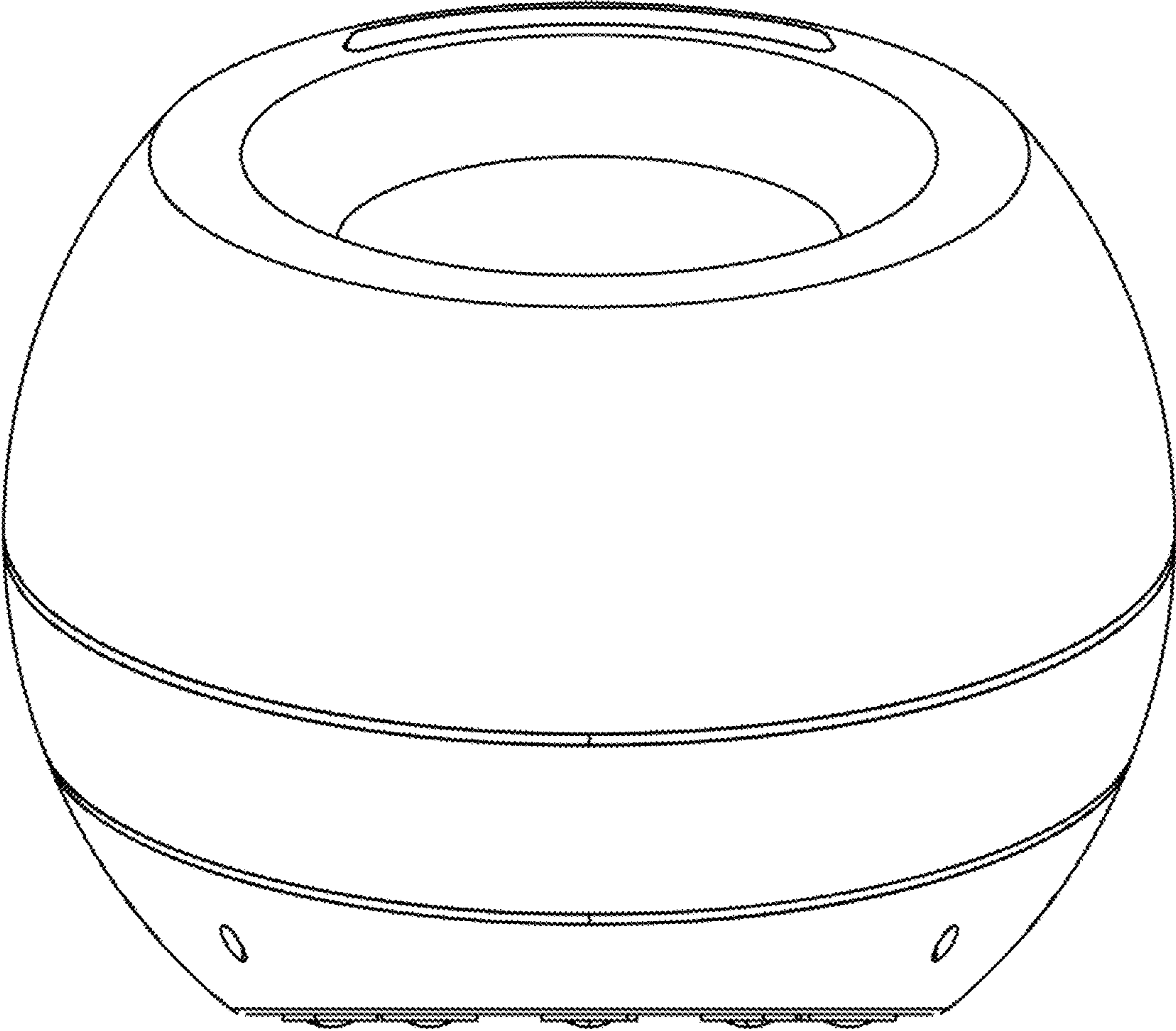


FIGURE 4

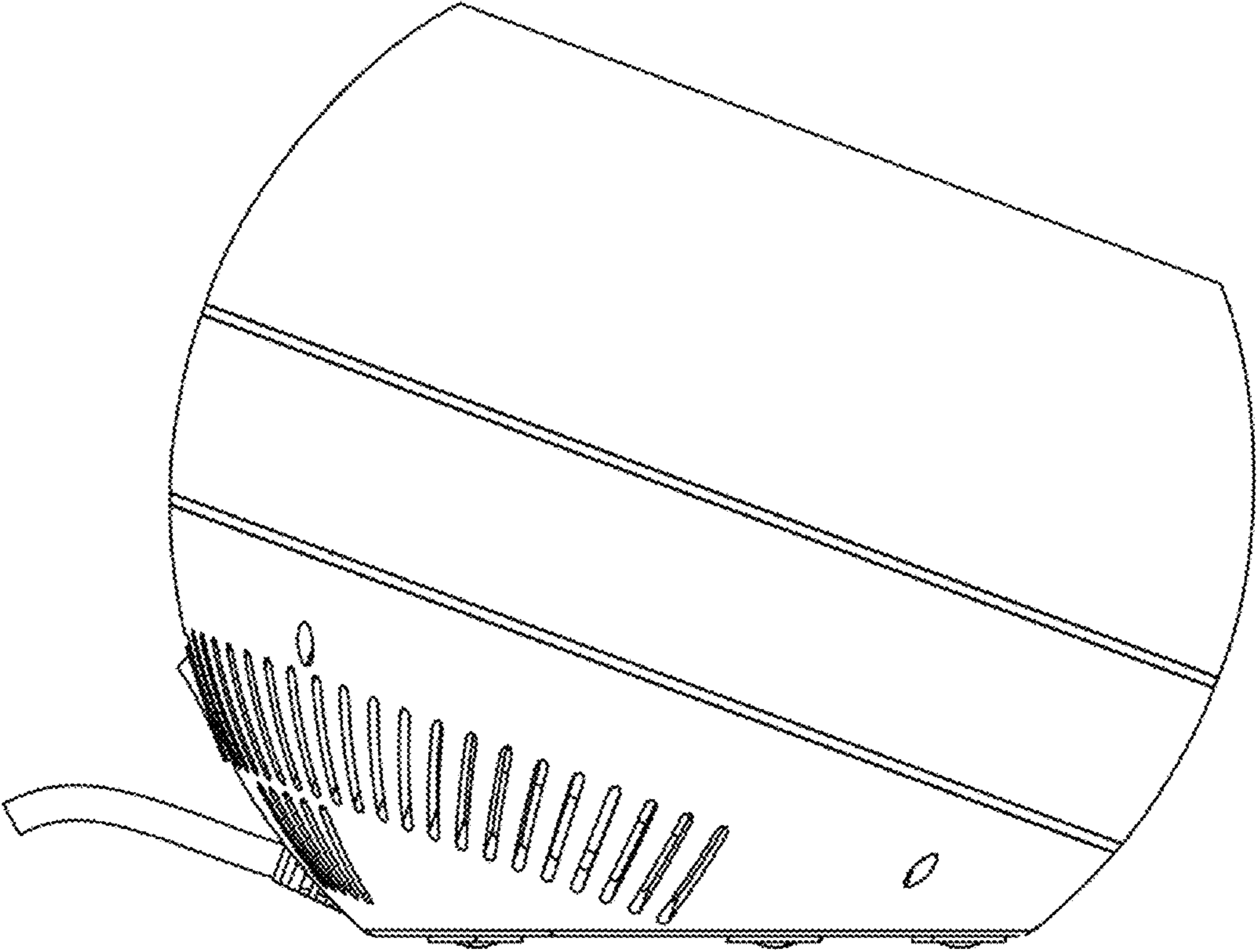


FIGURE 5