



US00D683490S

(12) **United States Design Patent**
Lee

(10) **Patent No.:** **US D683,490 S**
(45) **Date of Patent:** **** May 28, 2013**

(54) **SEARCHLIGHT**

(76) Inventor: **Wen-Sung Lee**, Taichung (TW)

(**) Term: **14 Years**

(21) Appl. No.: **29/428,091**

(22) Filed: **Jul. 26, 2012**

(51) **LOC (9) Cl.** **26-02**

(52) **U.S. Cl.**
USPC **D26/45**

(58) **Field of Classification Search** D26/37,
D26/38, 44, 45, 46, 49, 50; 362/157, 158,
362/183, 184, 194–199, 202–208
See application file for complete search history.

(56) **References Cited**

U.S. PATENT DOCUMENTS

D477,681	S	*	7/2003	Krieger et al.	D26/45
D491,303	S	*	6/2004	Shen	D26/45
D518,214	S	*	3/2006	Krieger et al.	D26/45
D519,235	S	*	4/2006	Krieger et al.	D26/45
D522,153	S	*	5/2006	Krieger et al.	D26/45
D525,735	S	*	7/2006	Krieger et al.	D26/45
D532,136	S	*	11/2006	Krieger et al.	D26/45
D561,923	S	*	2/2008	Hsu	D26/45
D565,767	S	*	4/2008	Ben-Moshe	D26/45
D634,462	S	*	3/2011	Baker et al.	D26/45

D649,273	S	*	11/2011	Baker et al.	D26/45
D658,325	S	*	4/2012	Inskeep	D26/45
D658,796	S	*	5/2012	Inskeep	D26/45
D673,707	S	*	1/2013	Inskeep	D26/45

* cited by examiner

Primary Examiner — Ian Simmons
Assistant Examiner — Carissa C Fitts

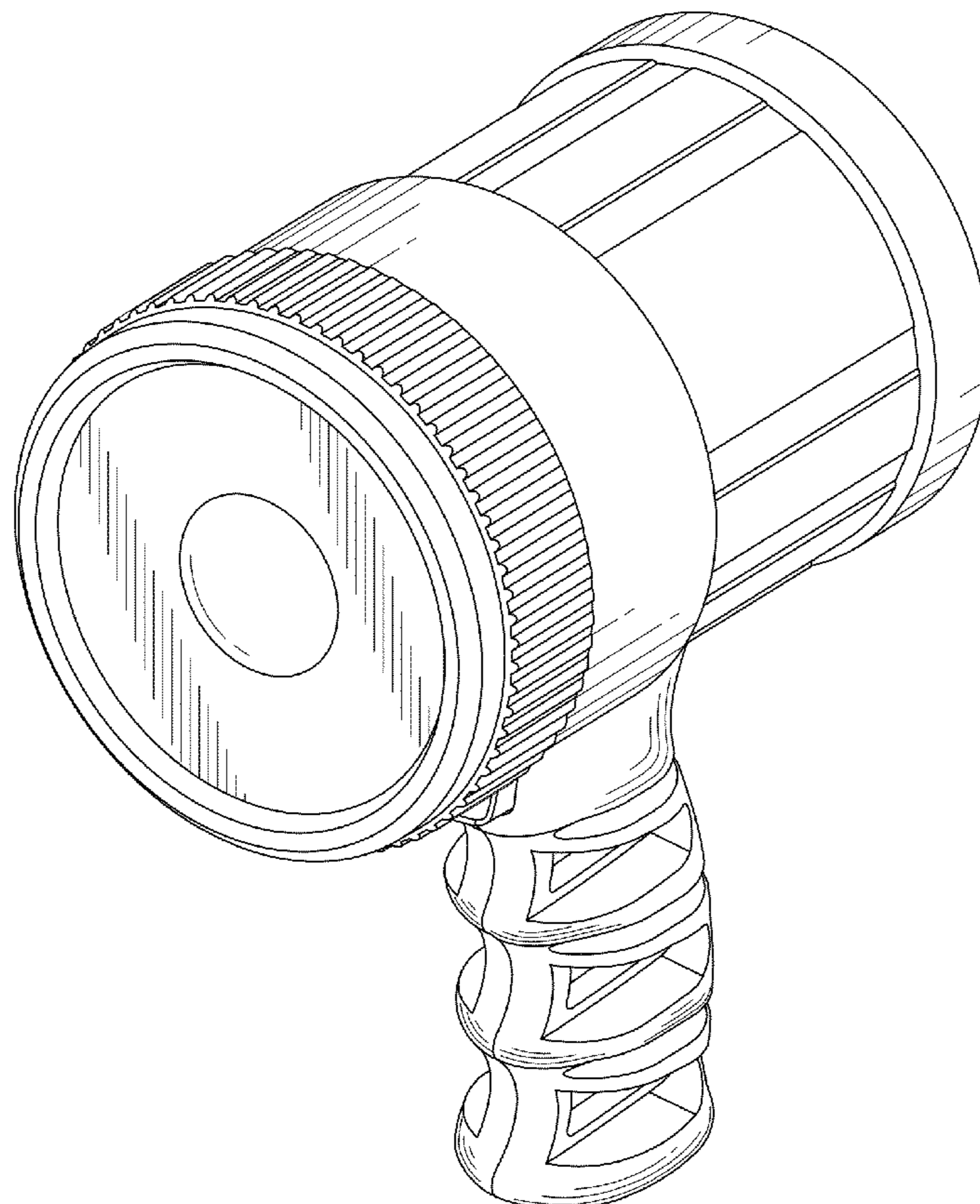
(57) **CLAIM**

The ornamental design for a searchlight, as shown and described.

DESCRIPTION

FIG. 1 is one perspective view of a searchlight showing my new design;
FIG. 2 is a front elevational view thereof;
FIG. 3 is a rear elevational view thereof;
FIG. 4 is a left side view thereof;
FIG. 5 is a right side view thereof;
FIG. 6 is a top plan view thereof;
FIG. 7 is a bottom plan view thereof; and,
FIG. 8 is another perspective view thereof.
The broken line portions in FIGS. 4-5 and 7 are for illustrative purposes only and form no part of the claimed design.

1 Claim, 8 Drawing Sheets



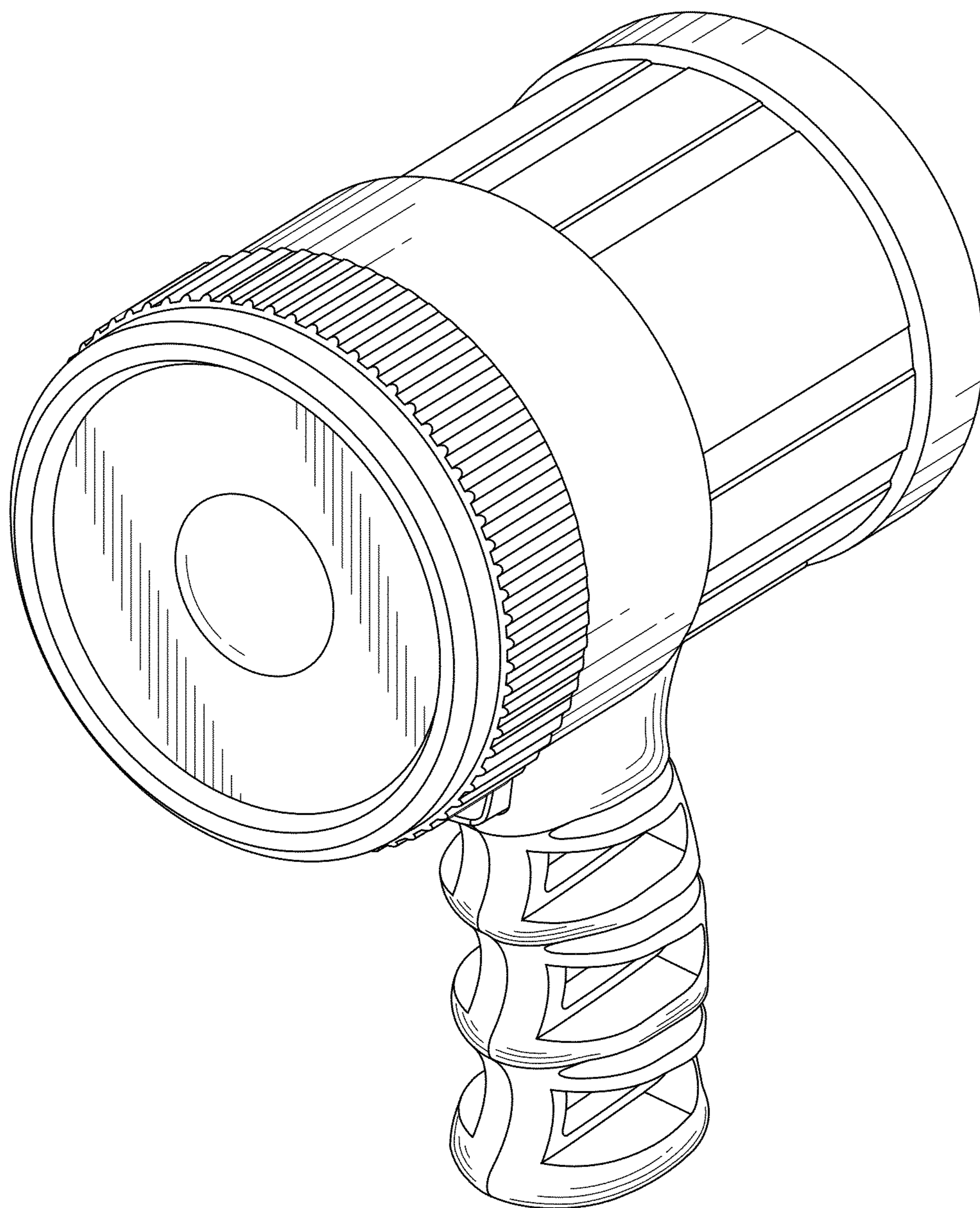


FIG. 1

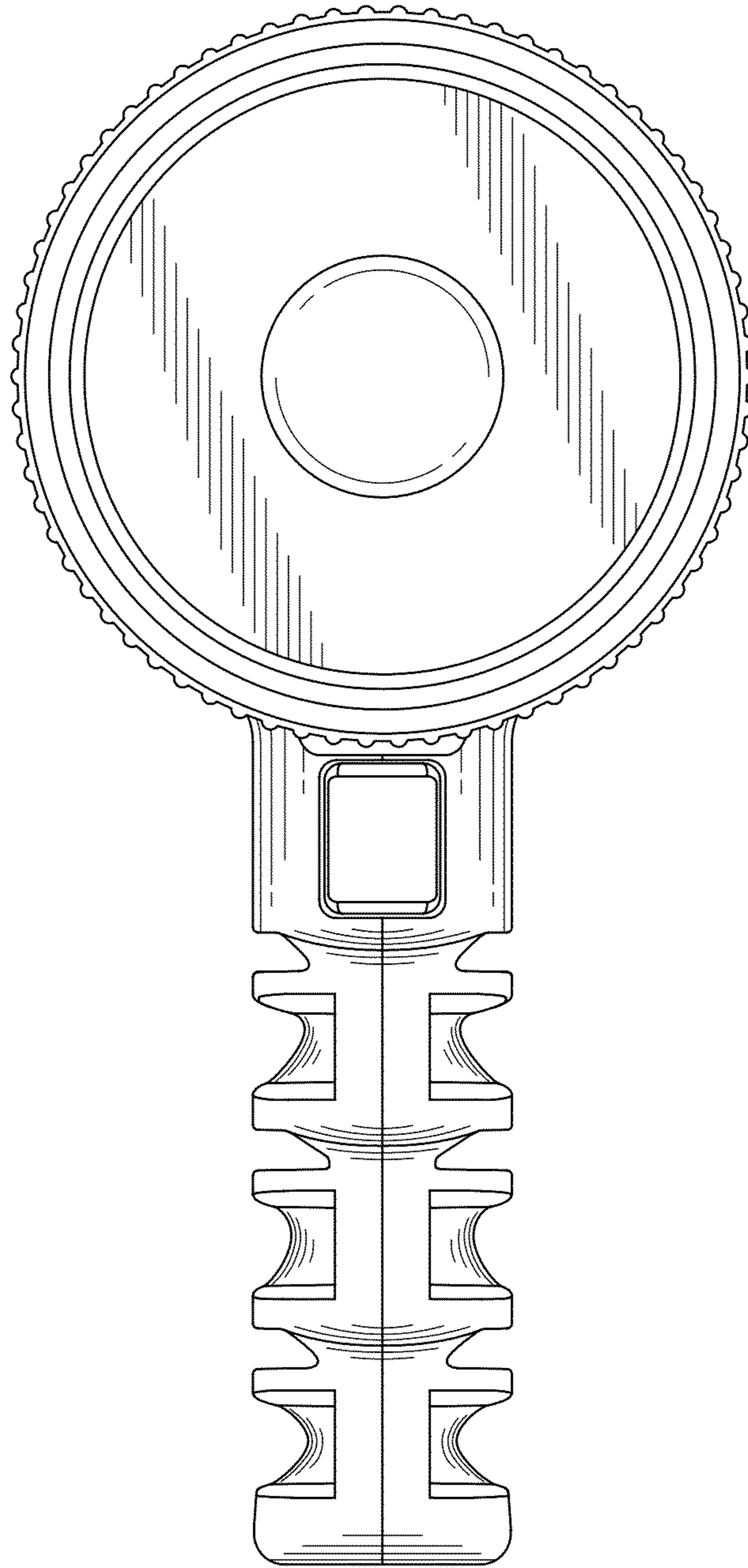


FIG. 2

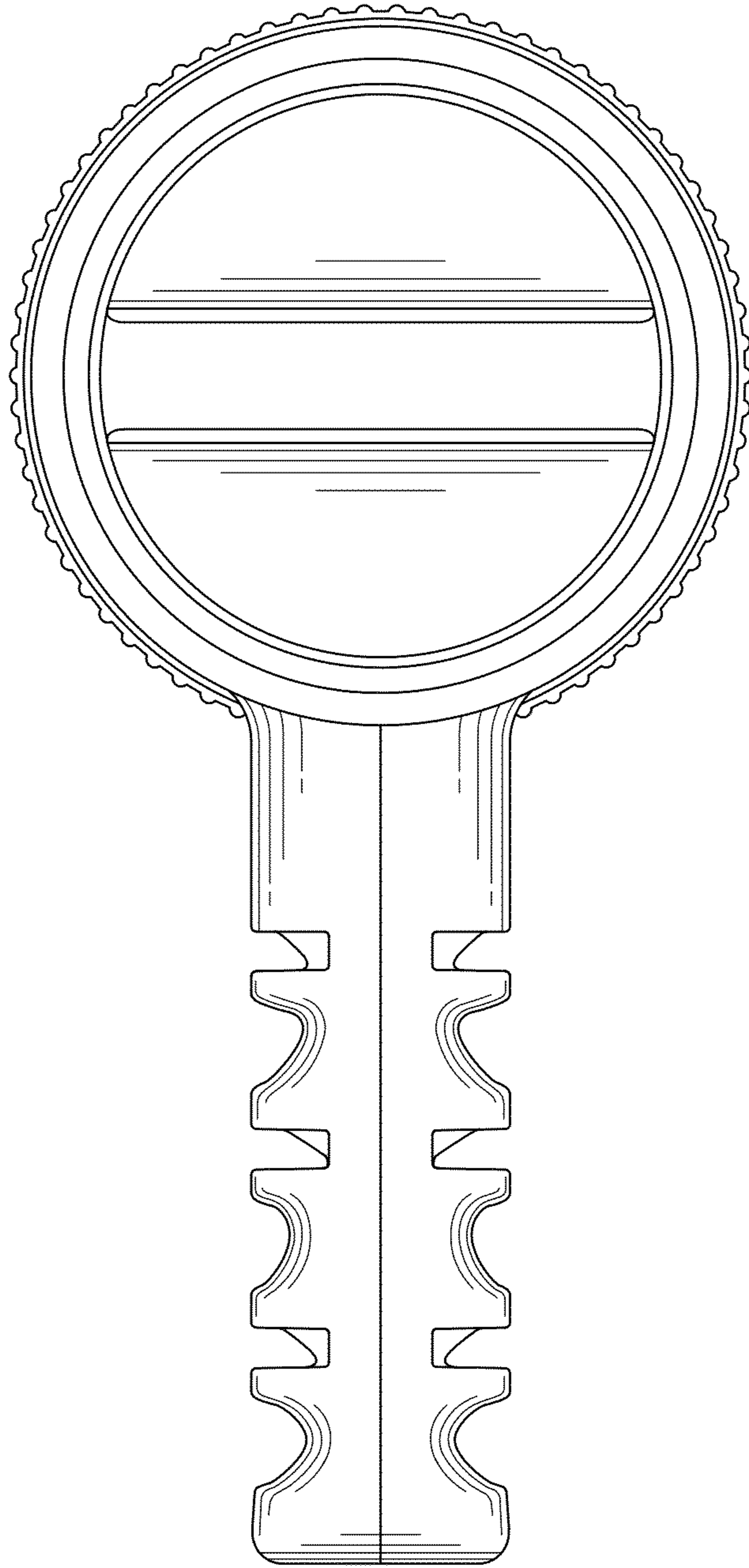


FIG. 3

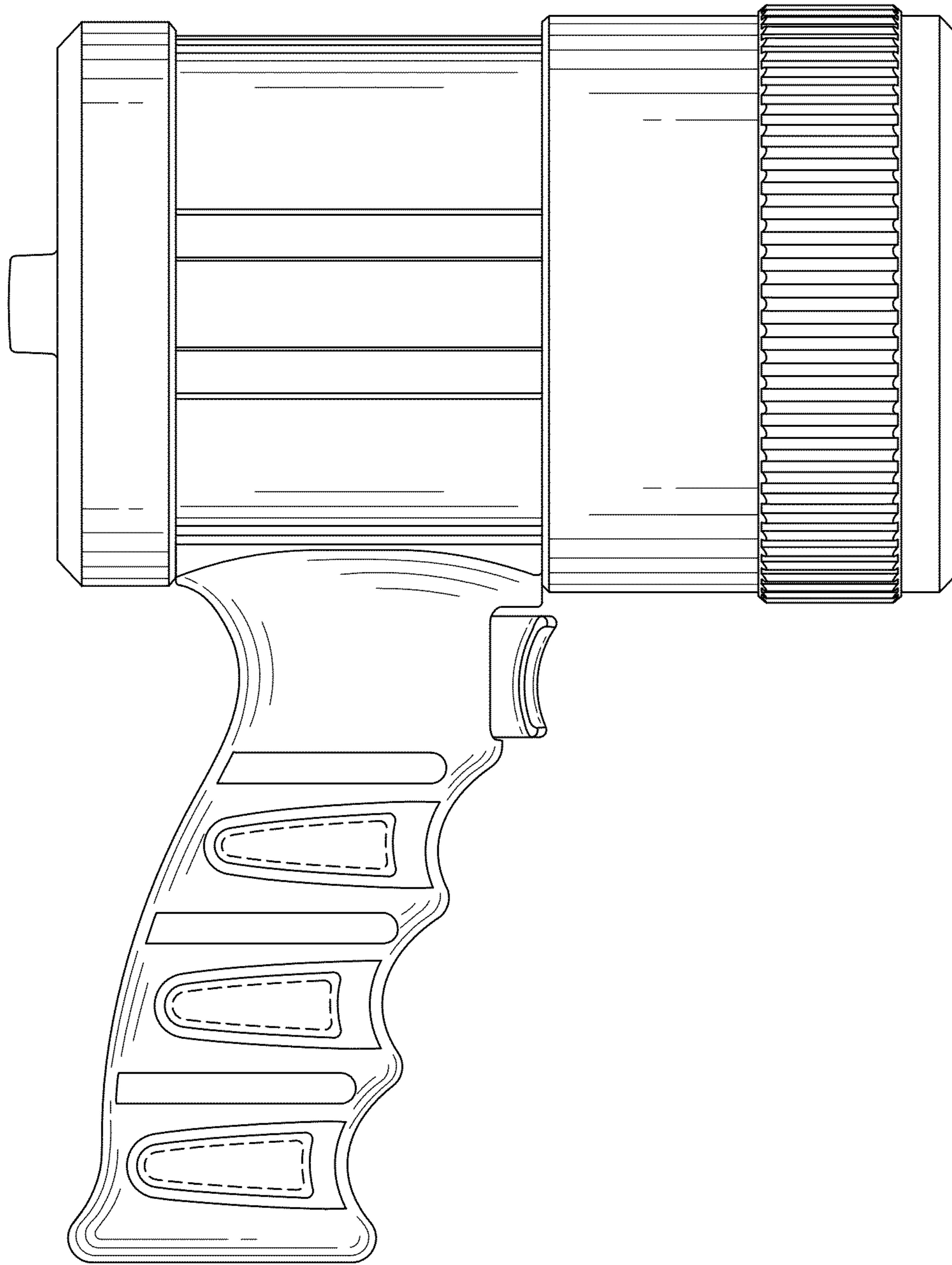


FIG. 4

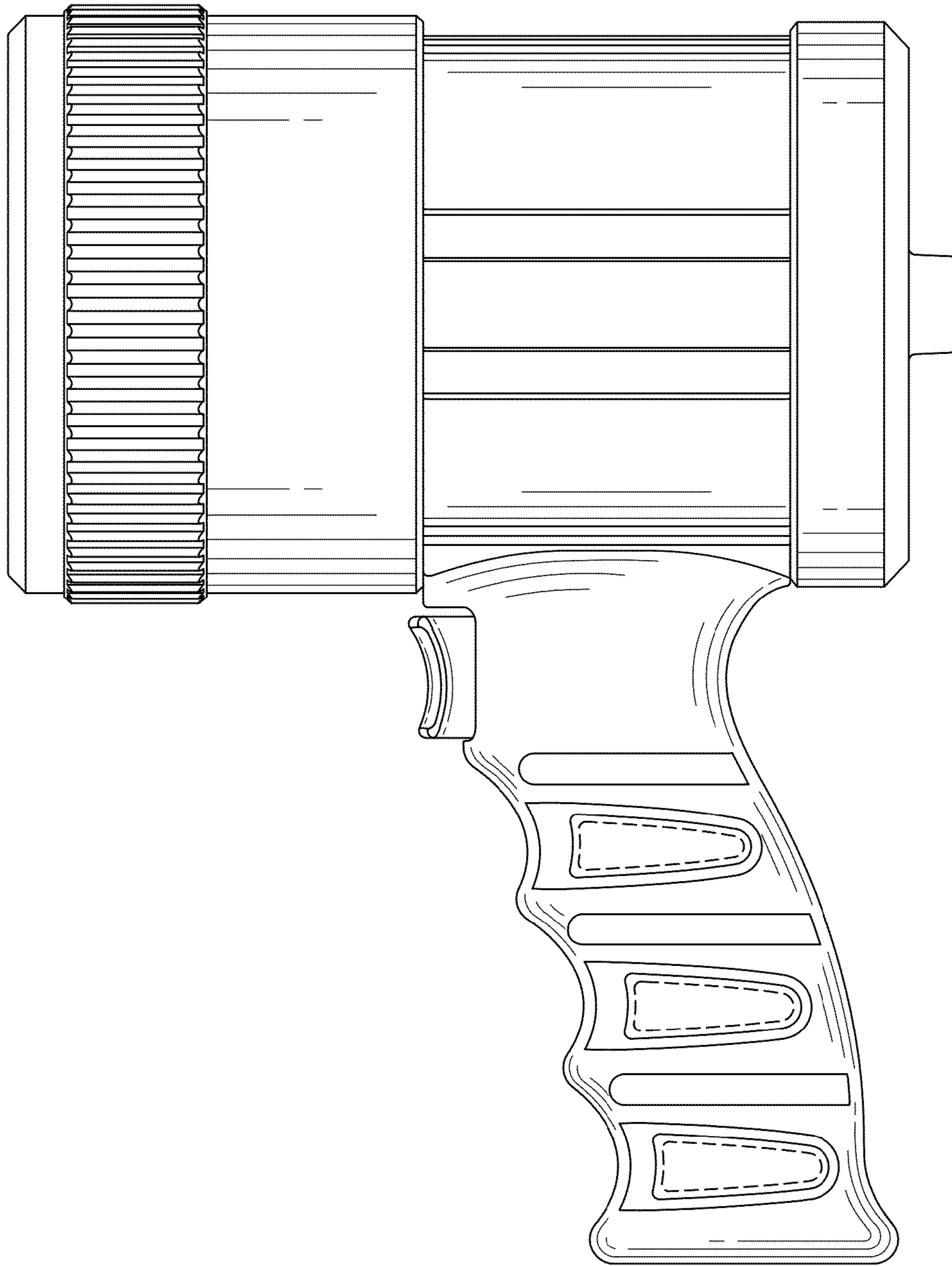


FIG. 5

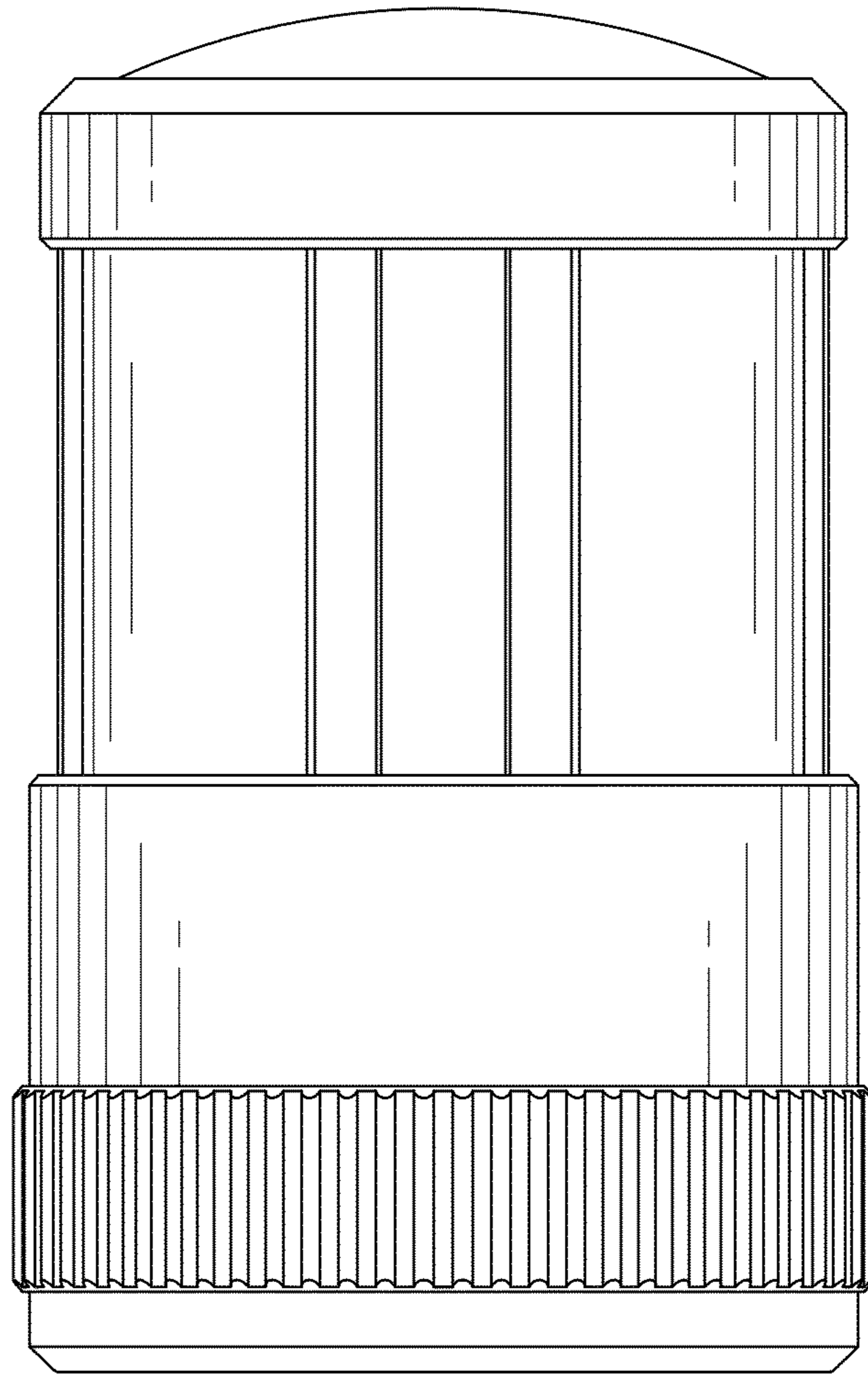


FIG. 6

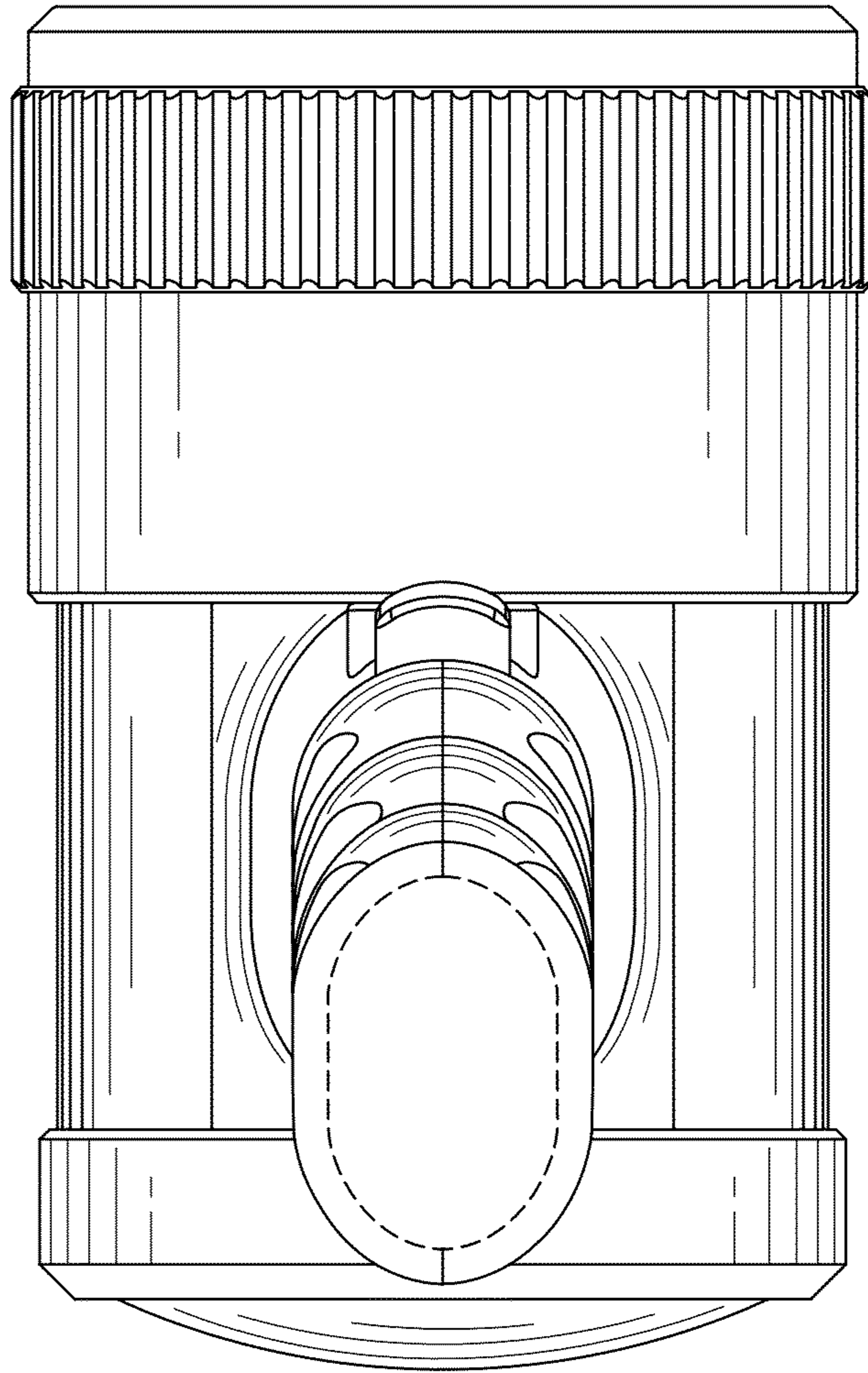


FIG. 7

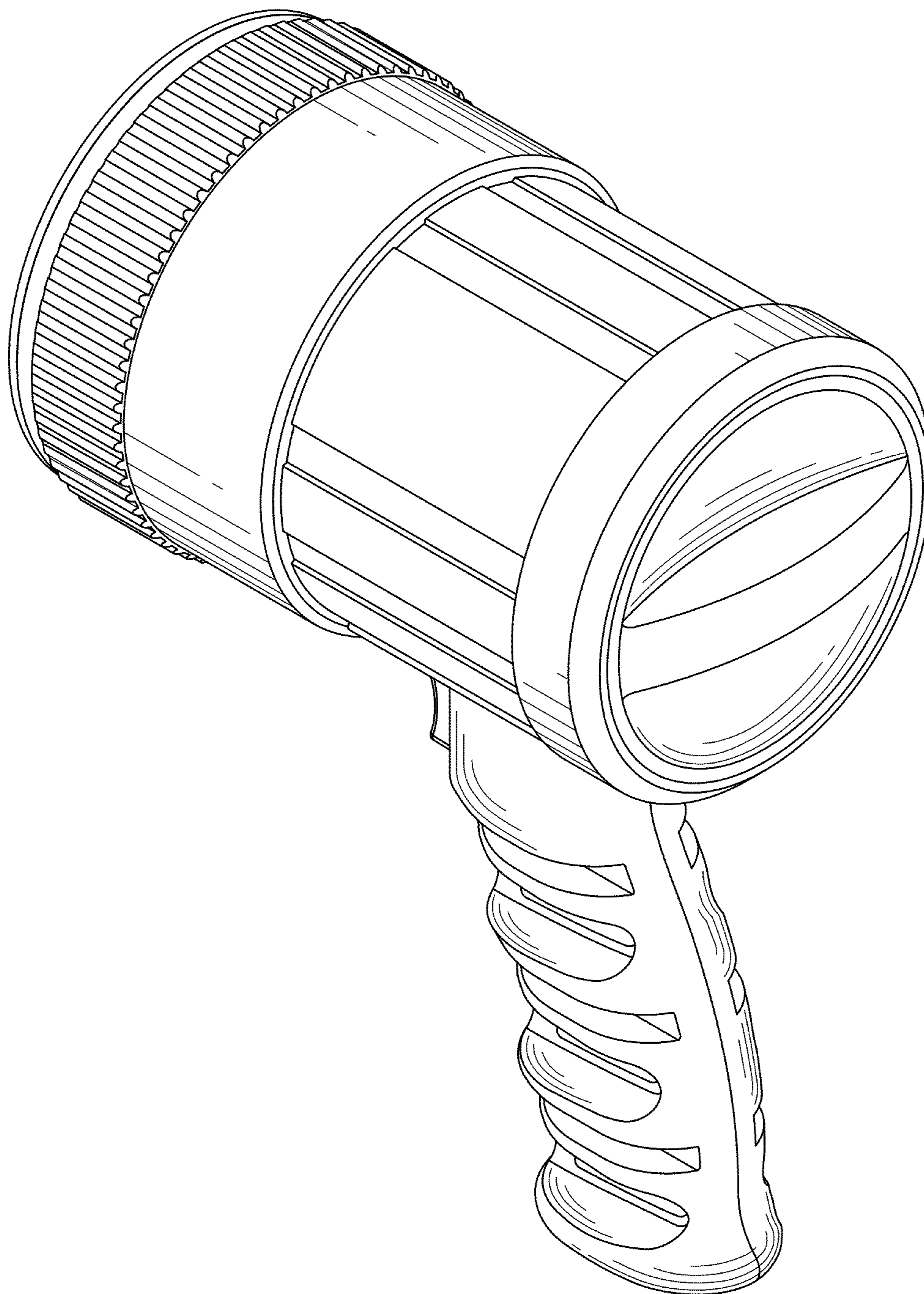


FIG. 8