



US00D683489S

(12) **United States Design Patent**
Lee

(10) **Patent No.:** **US D683,489 S**

(45) **Date of Patent:** **** May 28, 2013**

(54) **HEADLAMP**

(76) Inventor: **Wen-Sung Lee**, Taichung (TW)

(**) Term: **14 Years**

(21) Appl. No.: **29/398,145**

(22) Filed: **Jul. 27, 2011**

(51) **LOC (9) Cl.** **26-02**

(52) **U.S. Cl.**
USPC **D26/39**

(58) **Field of Classification Search** D26/37,
D26/38, 39, 46, 50; 362/403, 105, 108, 157,
362/158, 183, 184, 194–196, 202–208
See application file for complete search history.

D566,310 S *	4/2008	Alessio	D26/39
D568,510 S *	5/2008	Shiu	D26/39
D573,736 S *	7/2008	Poon	D26/39
D575,888 S *	8/2008	Shiu	D26/39
D579,133 S *	10/2008	Shiu	D26/39
D609,834 S *	2/2010	Shiu	D26/39
D614,786 S *	4/2010	Lee	D26/39
D650,103 S *	12/2011	Lee	D26/39

* cited by examiner

Primary Examiner — Ian Simmons

Assistant Examiner — Carissa C Fitts

(57) **CLAIM**

The ornamental design for a headlamp, as shown and described.

DESCRIPTION

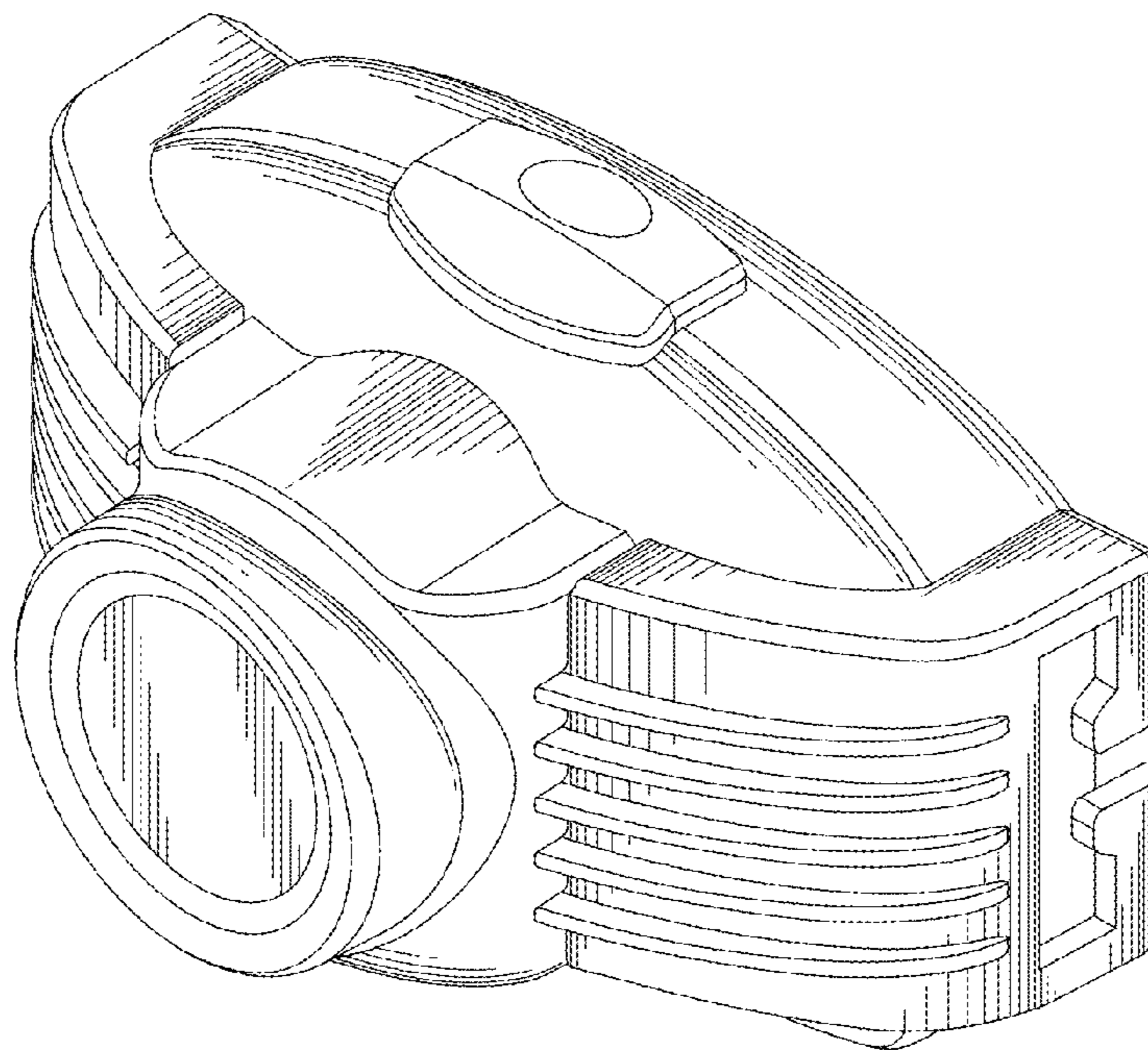
FIG. 1 is a perspective view of a headlamp showing my new design;
FIG. 2 is a front elevational view thereof;
FIG. 3 is a rear elevational view thereof;
FIG. 4 is a left side view thereof;
FIG. 5 is a right side view thereof;
FIG. 6 is a top plan view thereof;
FIG. 7 is a bottom plan view thereof; and,
FIG. 8 is a perspective view from another viewpoint.

1 Claim, 5 Drawing Sheets

(56) **References Cited**

U.S. PATENT DOCUMENTS

D163,488 S *	5/1951	Schwartz	D26/37
D367,087 S *	2/1996	Mathews	D21/483
D375,569 S *	11/1996	Hwang	D26/37
D394,720 S *	5/1998	Yuen	D26/39
D426,330 S *	6/2000	Cramer	D26/38
D492,052 S *	6/2004	Schnell	D26/39
D503,817 S *	4/2005	Shiu	D26/39
D520,162 S *	5/2006	Shiu	D26/39
D525,734 S *	7/2006	Shiao	D26/39
D554,782 S *	11/2007	Shiu	D26/39
D556,927 S *	12/2007	Shiu	D26/39



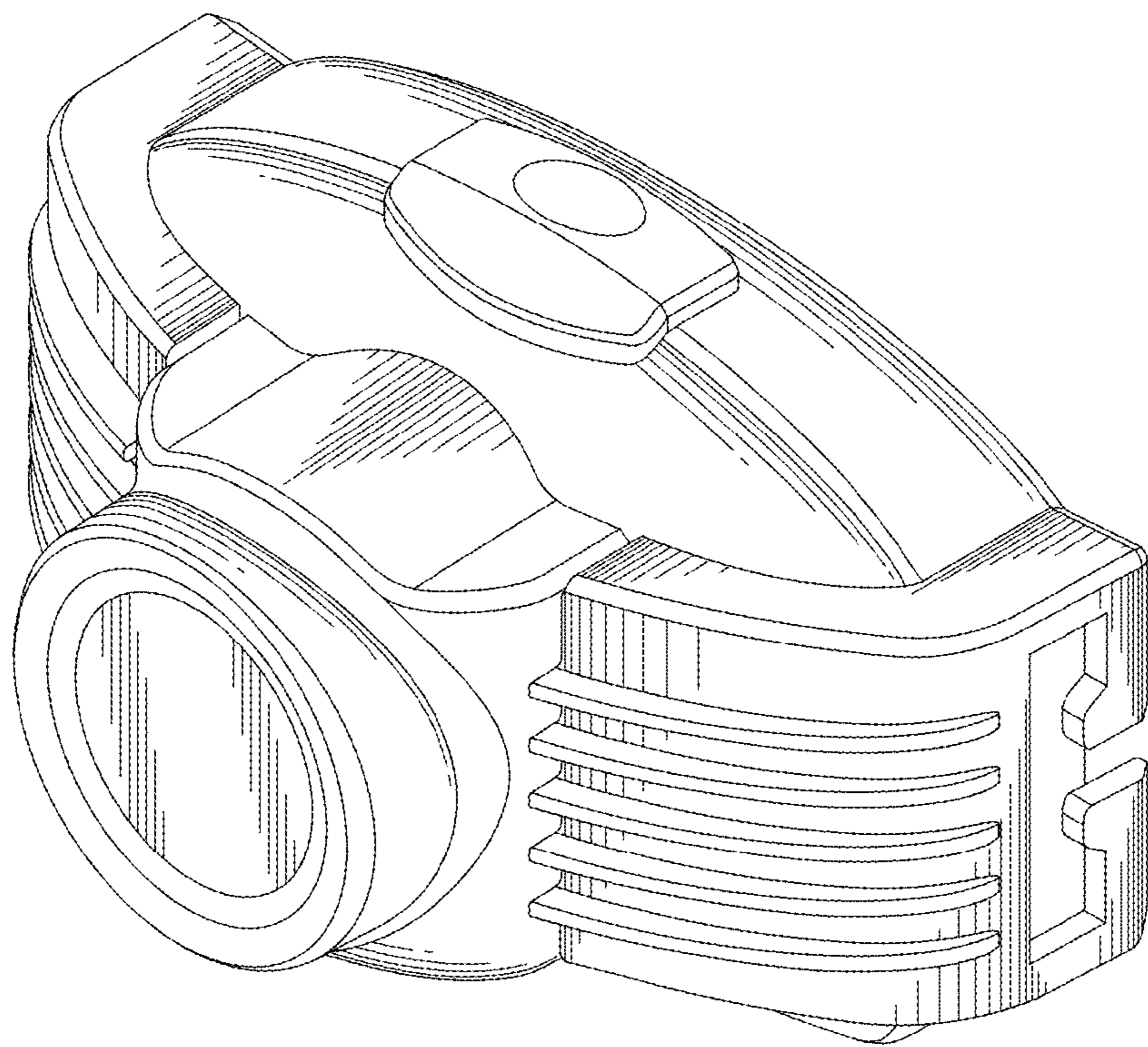


FIG. 1

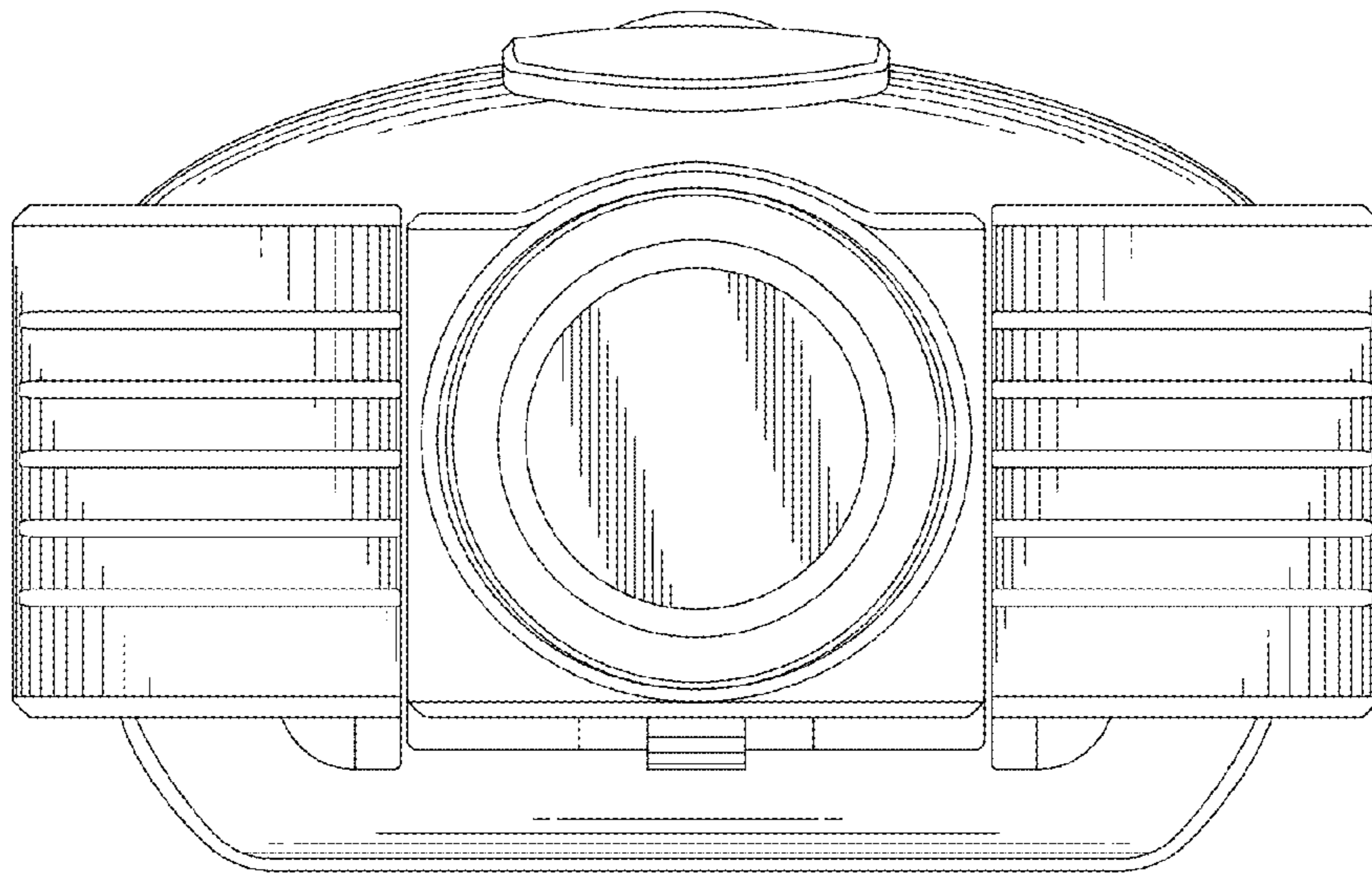


FIG. 2

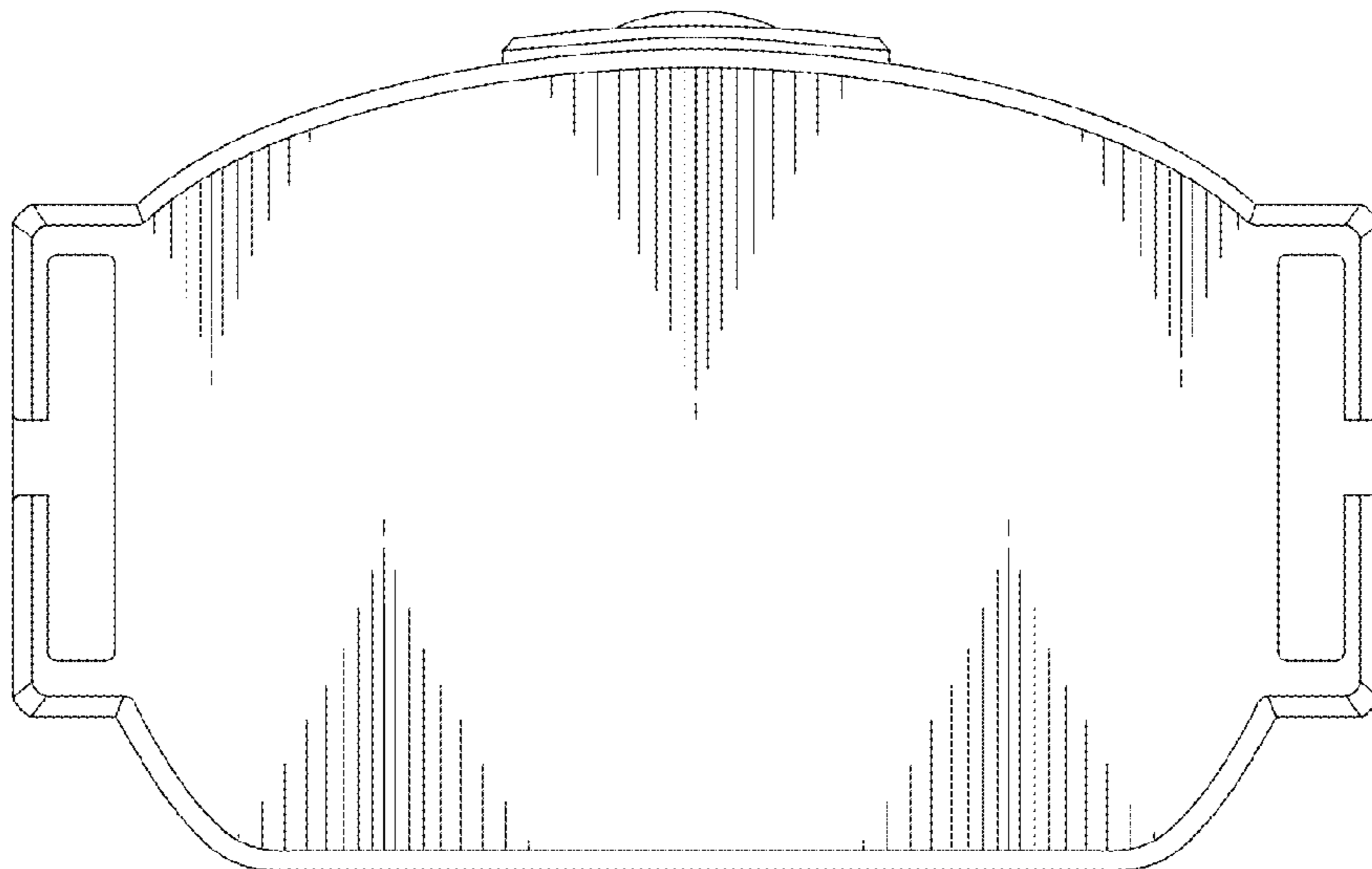


FIG. 3

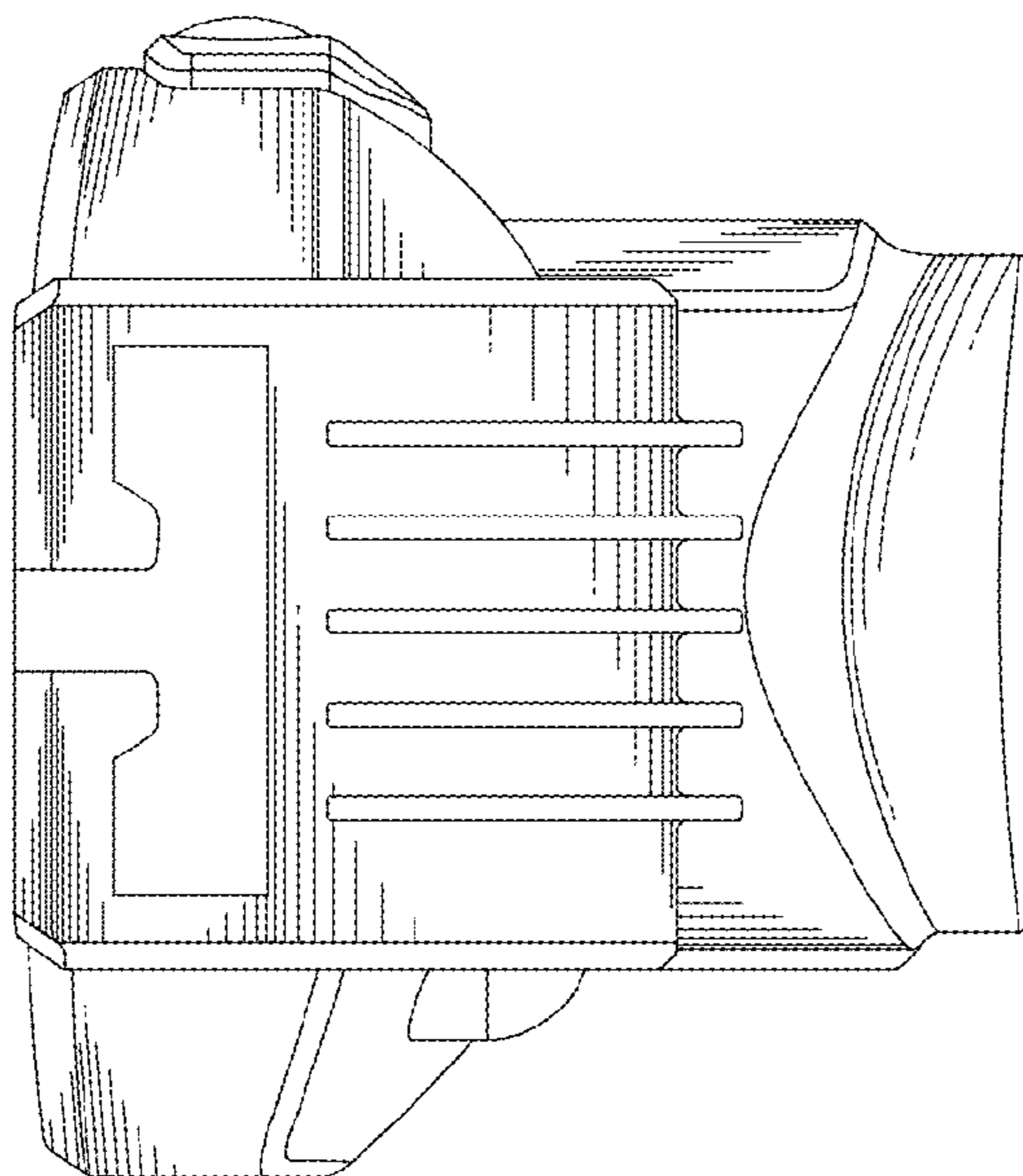


FIG. 4

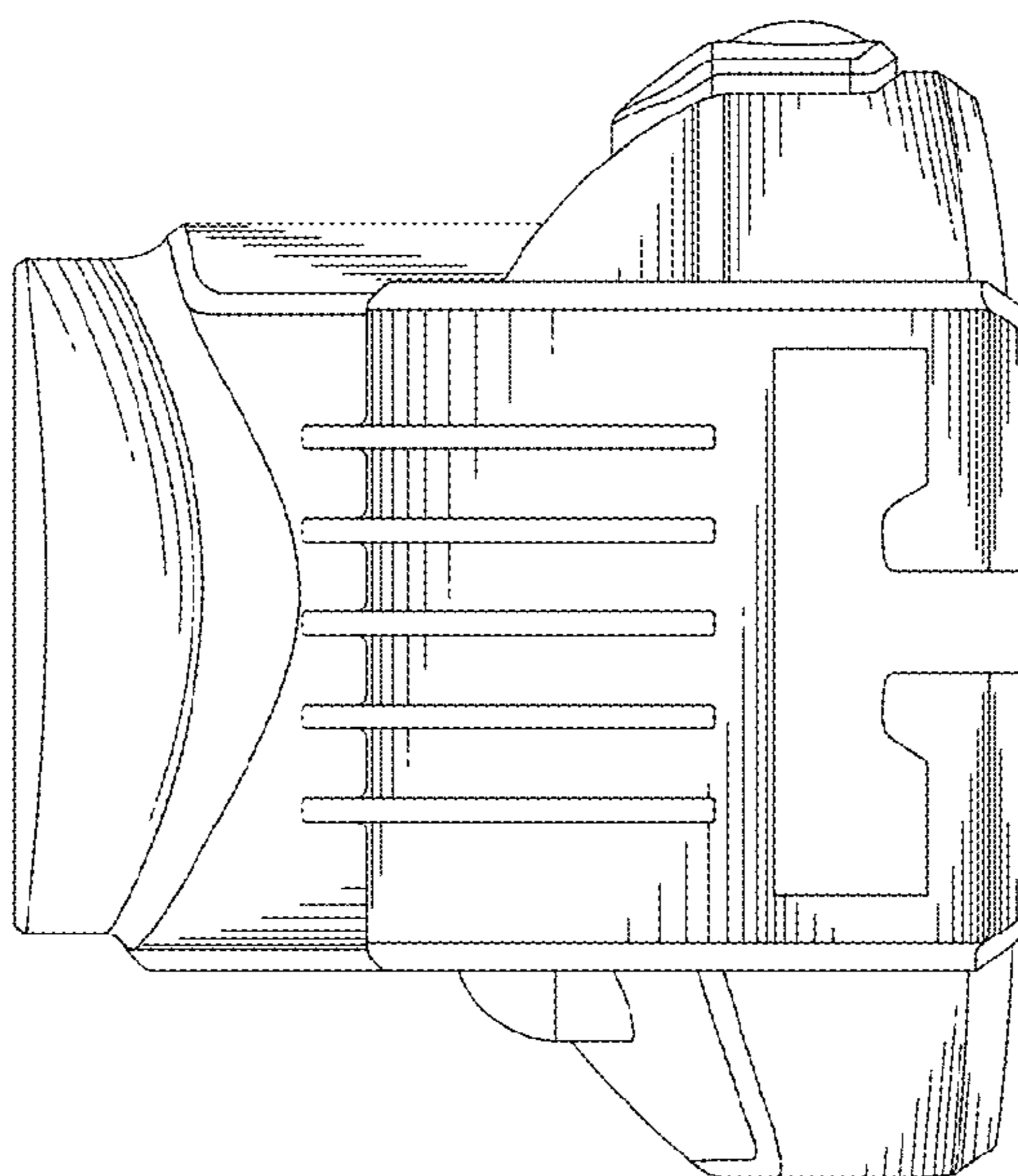


FIG. 5

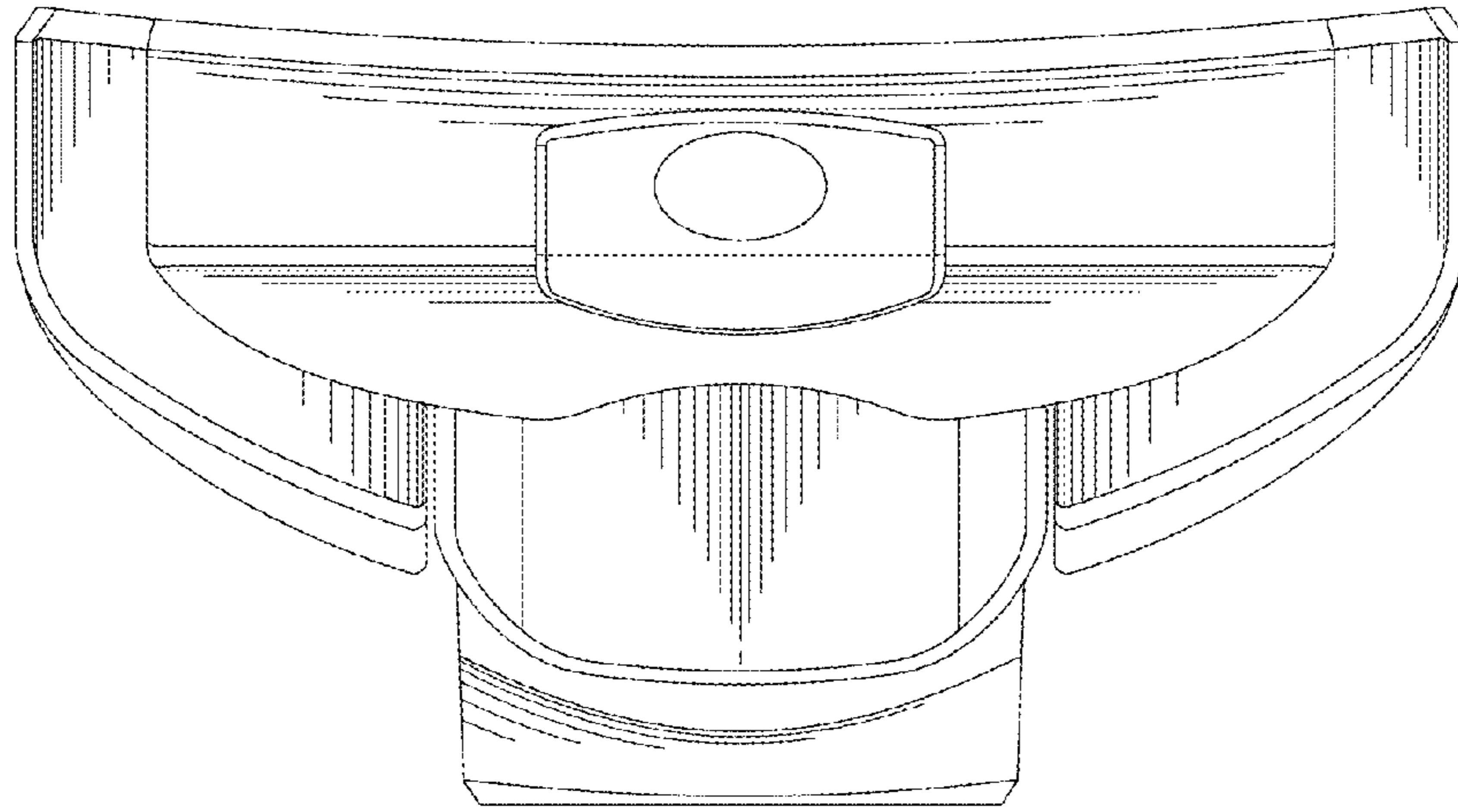


FIG. 6

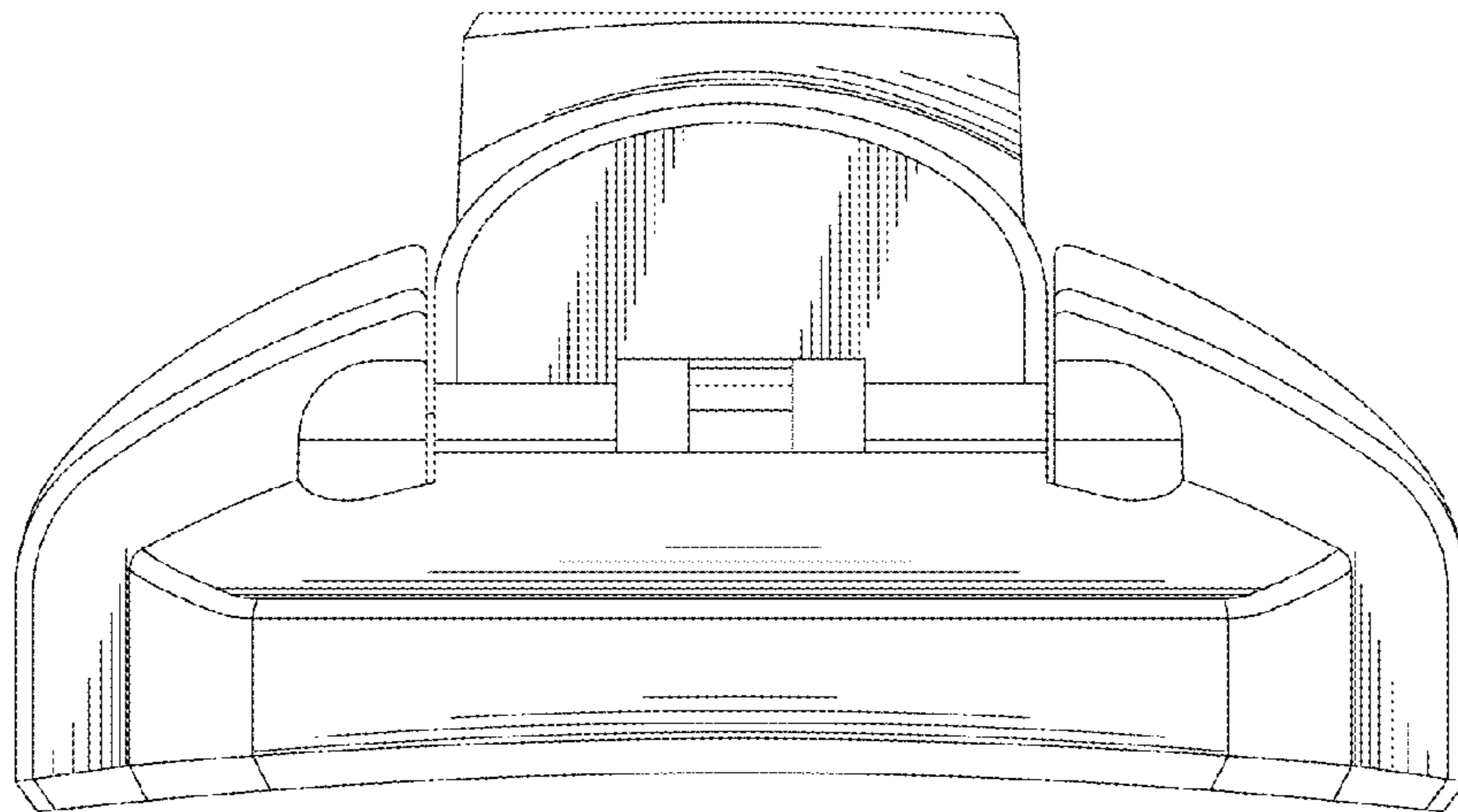


FIG. 7

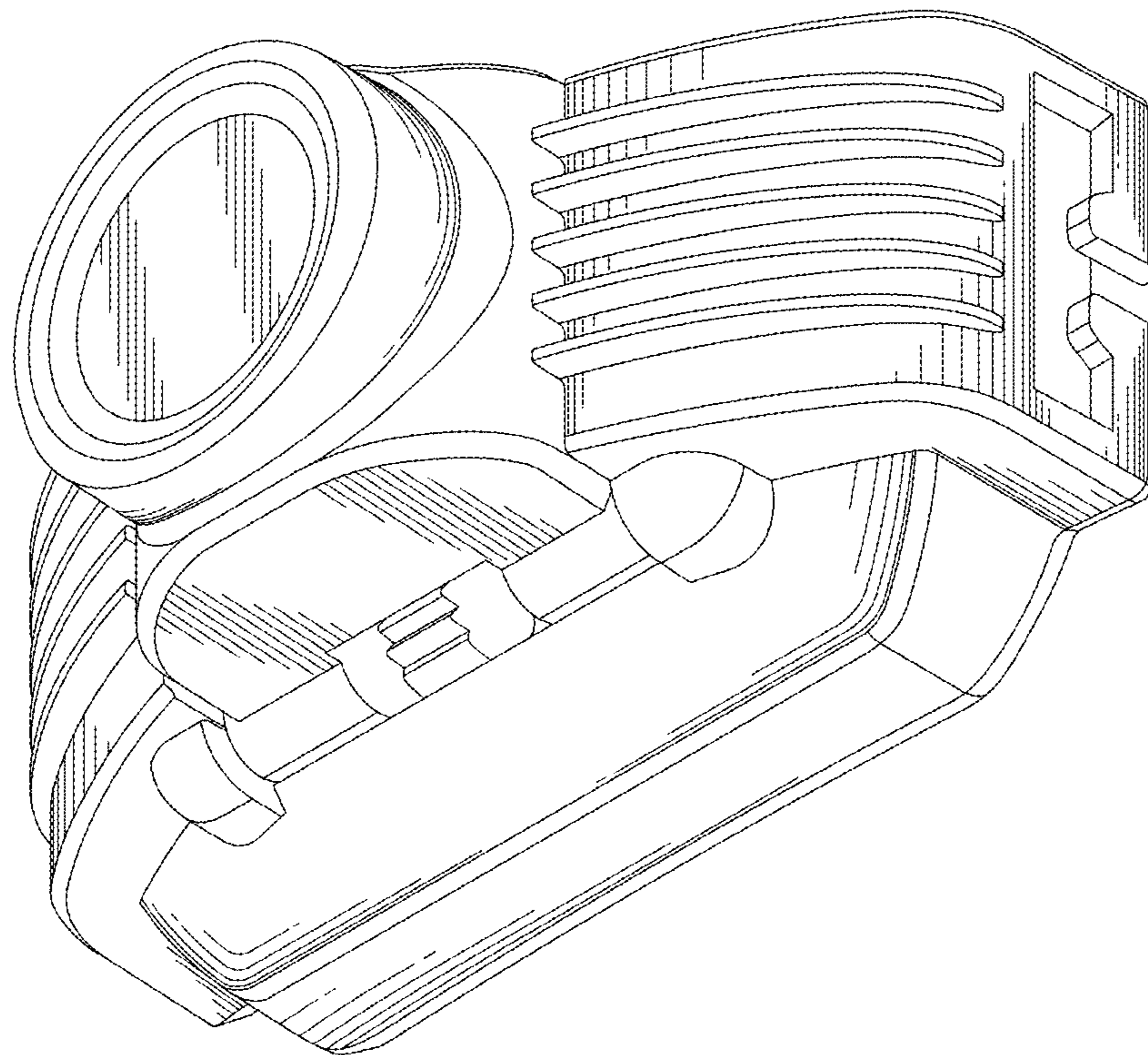


FIG. 8