



US00D683484S

(12) **United States Design Patent**
Lee et al.

(10) **Patent No.:** **US D683,484 S**

(45) **Date of Patent:** **** May 28, 2013**

(54) **HEAD LAMP FOR AN AUTOMOBILE**

(75) Inventors: **Seong Hoon Lee**, Gyeonggi-do (KR);
Jae Seung Noh, Gyeonggi-do (KR)

(73) Assignee: **Hyundai Motor Company**, Seoul (KR)

(**) **Term:** **14 Years**

(21) Appl. No.: **29/395,038**

(22) Filed: **Nov. 14, 2011**

(30) **Foreign Application Priority Data**

Aug. 31, 2011 (KR) 30-2011-0036285

(51) **LOC (9) Cl.** **26-06**

(52) **U.S. Cl.**
USPC **D26/28**

(58) **Field of Classification Search**
USPC D26/28-36; 362/459-468, 475-478,
362/485-487

See application file for complete search history.

(56) **References Cited**

U.S. PATENT DOCUMENTS

D538,956 S *	3/2007	Ishii	D26/28
D544,614 S *	6/2007	Markefka	D26/28
D549,855 S *	8/2007	Moisy et al.	D26/28
D556,349 S *	11/2007	Golden et al.	D26/28
D561,358 S *	2/2008	Tachibana	D26/28
D570,007 S *	5/2008	Hsu	D26/28

D582,587 S *	12/2008	Yang	D26/28
D593,232 S *	5/2009	Koman et al.	D26/28
D619,278 S *	7/2010	Choi et al.	D26/28
D635,694 S *	4/2011	Yang et al.	D26/28

* cited by examiner

Primary Examiner — Marcus Jackson

(74) *Attorney, Agent, or Firm* — Edwards Wildman Palmer LLP

(57) **CLAIM**

The ornamental design for a head lamp for an automobile, as shown and described.

DESCRIPTION

FIG. 1 is a perspective view of a head lamp for an automobile according to the present invention.

FIG. 2 is a front view of the head lamp for an automobile of FIG. 1.

FIG. 3 is a rear view of the head lamp for an automobile of FIG. 1.

FIG. 4 is a left side view of the head lamp for an automobile of FIG. 1.

FIG. 5 is a right side view of the head lamp for an automobile of FIG. 1.

FIG. 6 is a top view of the head lamp for an automobile of FIG. 1; and,

FIG. 7 is a bottom view of the head lamp for an automobile of FIG. 1.

1 Claim, 7 Drawing Sheets

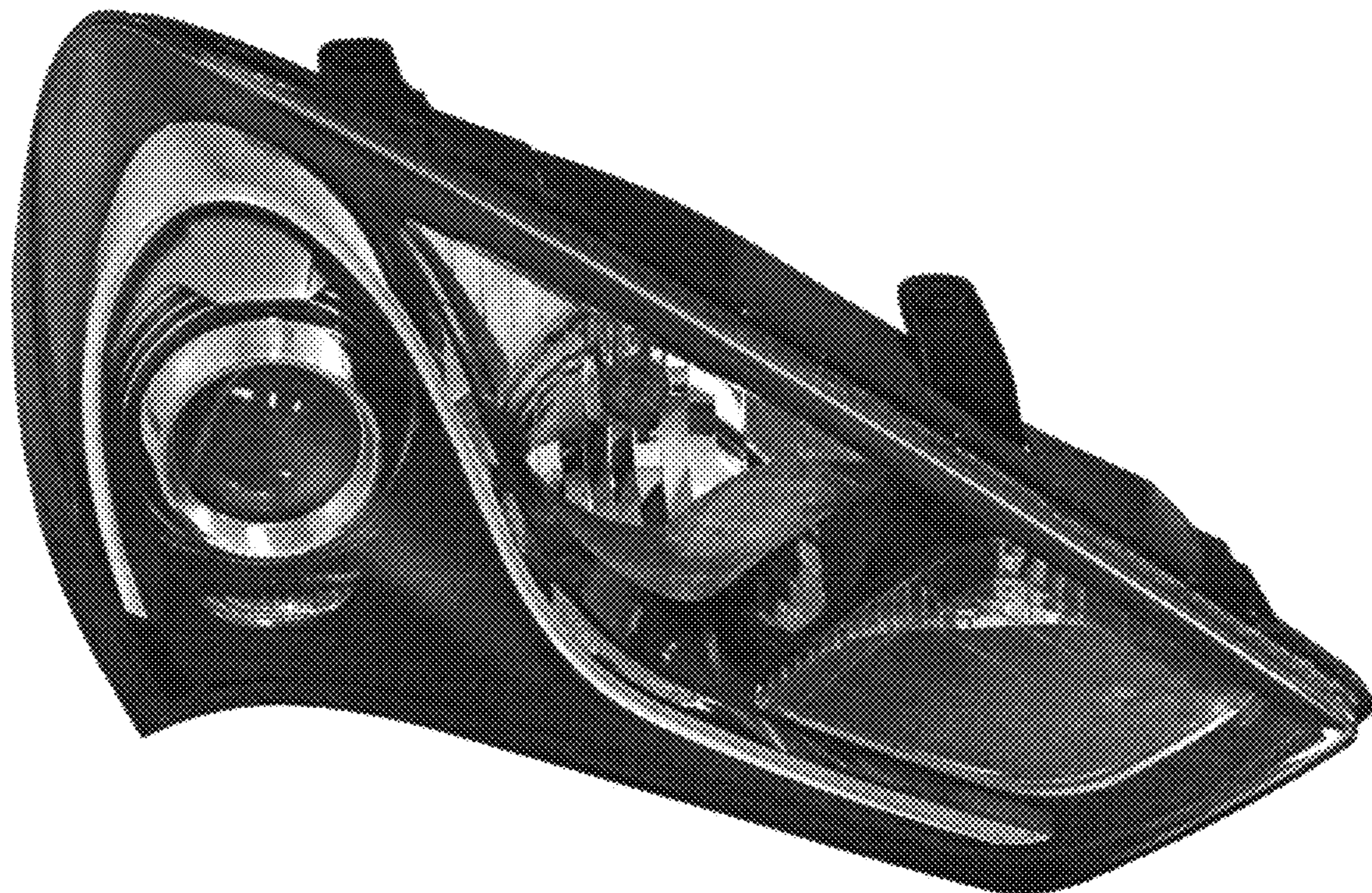


FIG. 1



FIG. 2

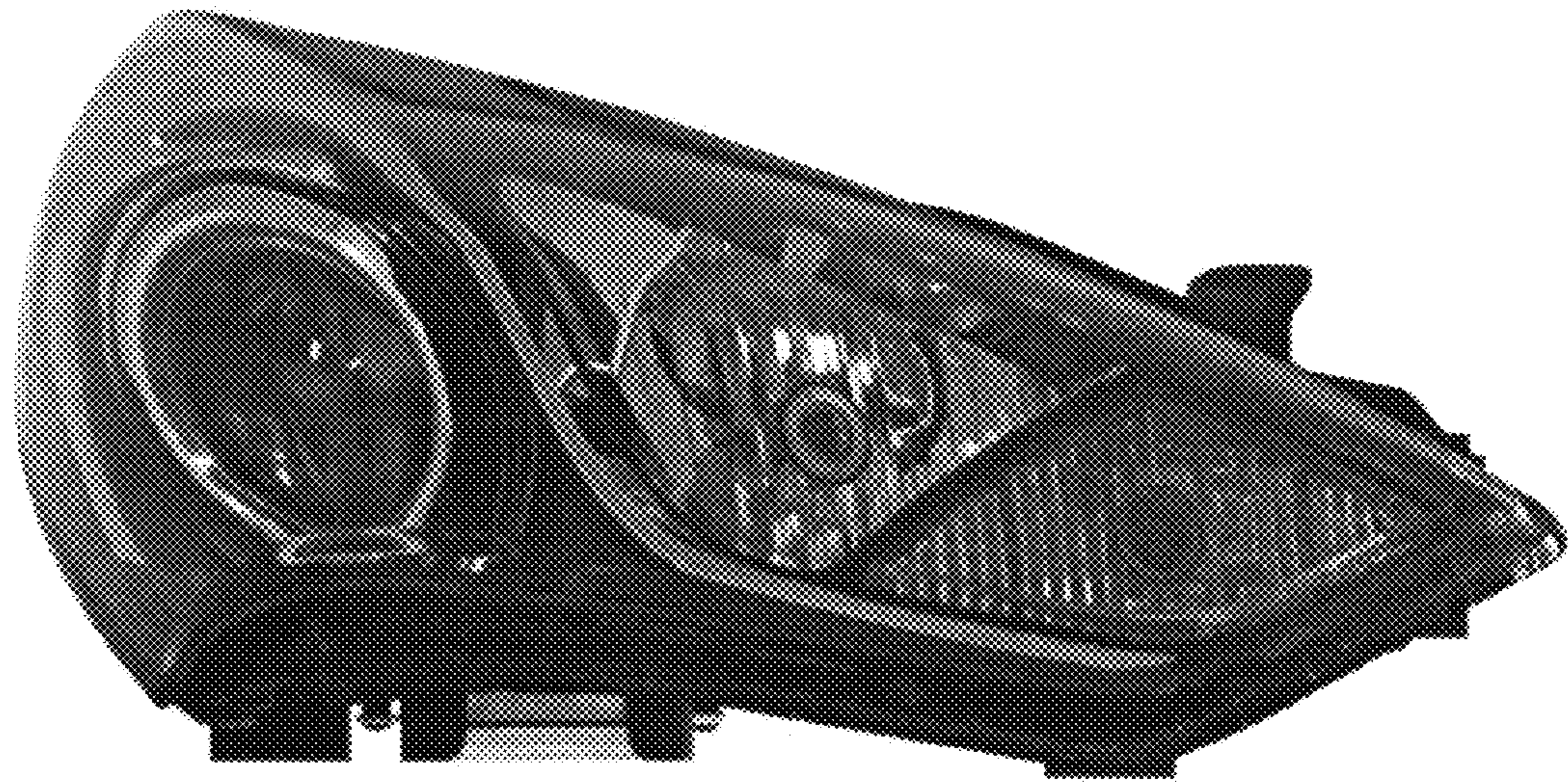


FIG. 3

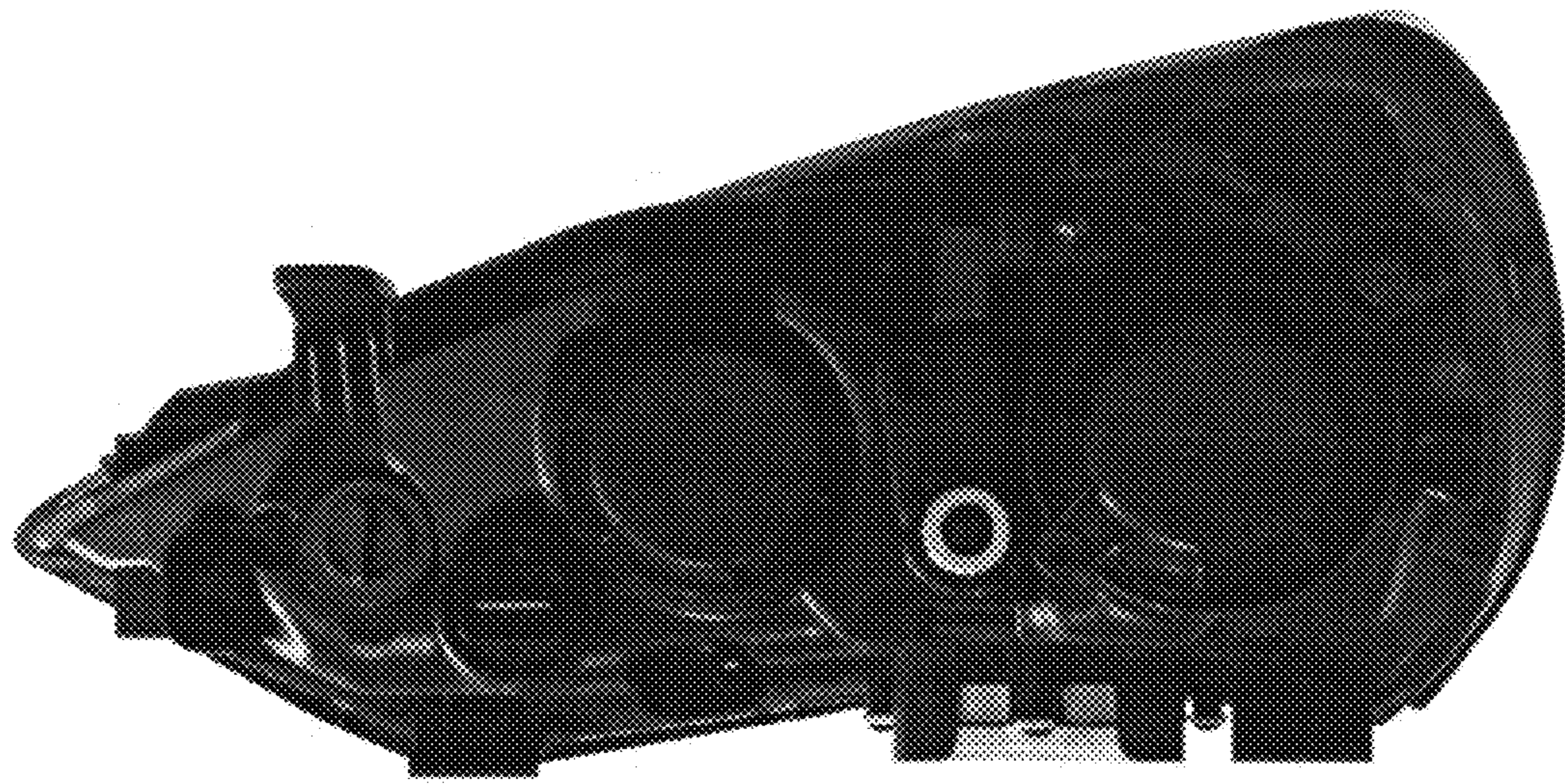


FIG. 4

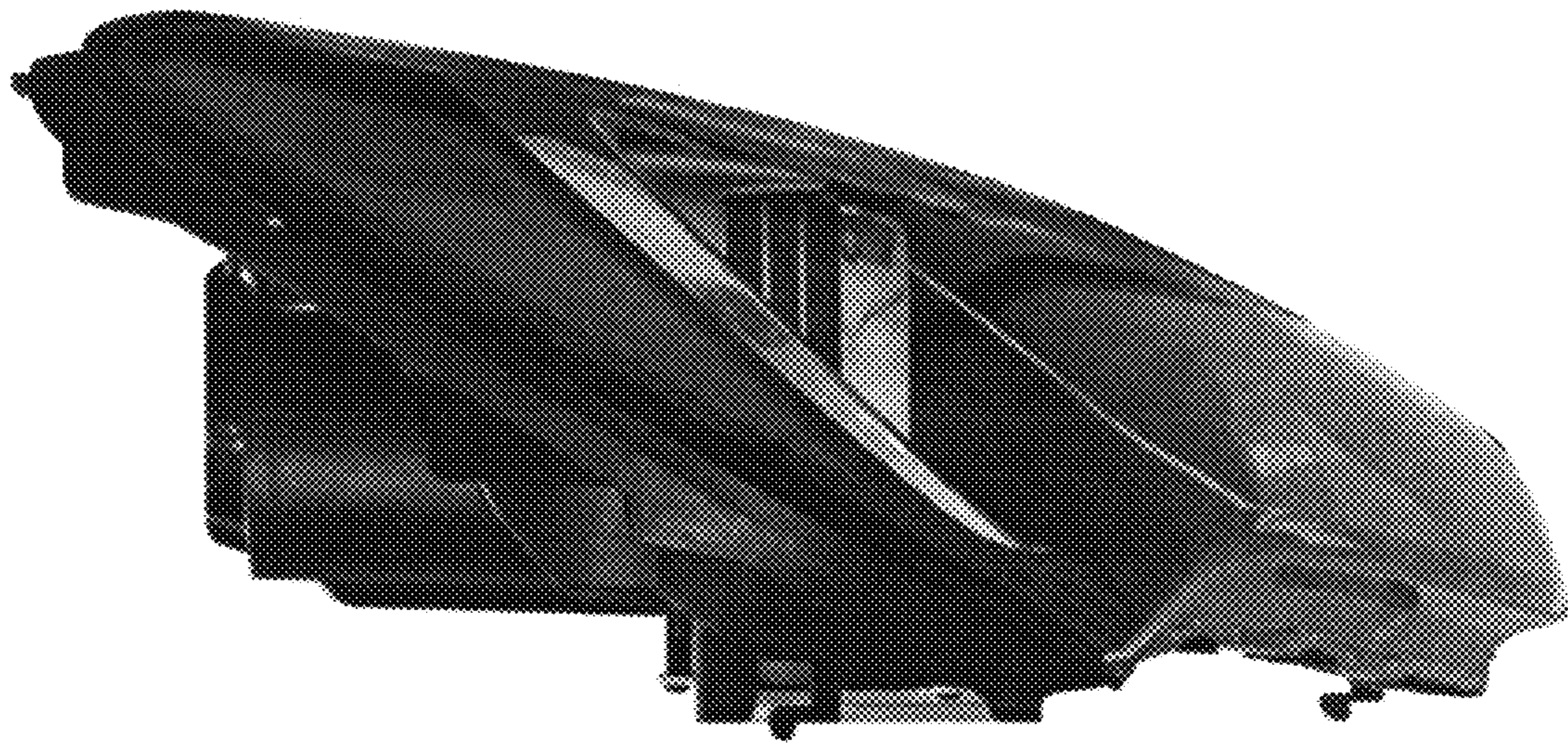


FIG. 5

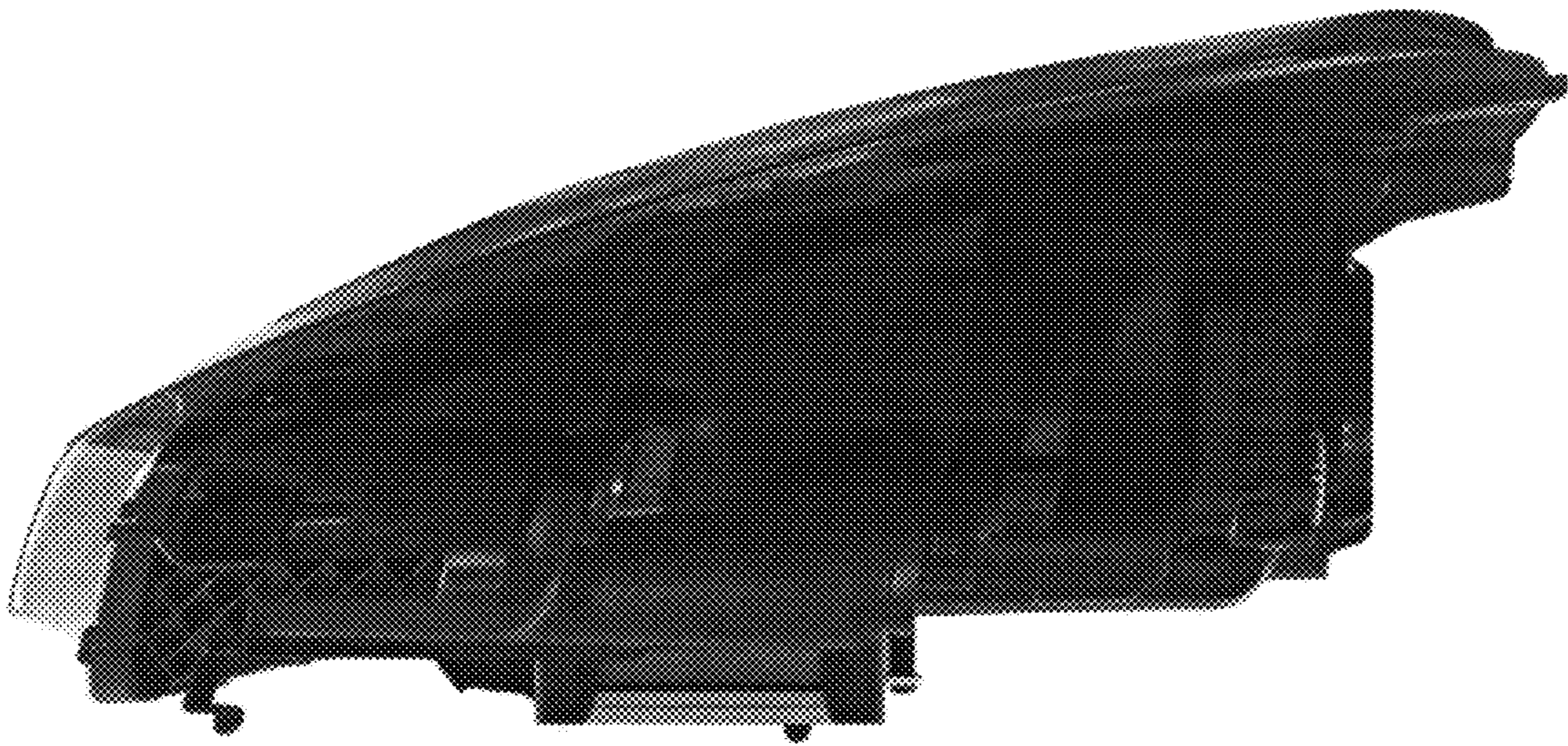


FIG. 6



FIG. 7

