



US00D683483S

(12) **United States Design Patent**
McGuire et al.

(10) **Patent No.:** **US D683,483 S**
(45) **Date of Patent:** **** May 28, 2013**

(54) **LIGHT BULB**

(75) Inventors: **Kenneth Stephen McGuire**, Cincinnati, OH (US); **Corey Michael Bischoff**, Cincinnati, OH (US); **Mark John Steinhardt**, Cincinnati, OH (US); **Benjamin Janes Beck**, Boston, MA (US); **Douglas A. Marsden**, Marblehead, MA (US); **Christopher James Page**, Cambridge, MA (US)

(73) Assignee: **The Proctor & Gamble Company**, Cincinnati, OH (US)

(**) Term: **14 Years**

(21) Appl. No.: **29/390,535**

(22) Filed: **Apr. 26, 2011**

(51) **LOC (9) Cl.** **26-04**

(52) **U.S. Cl.**
USPC **D26/2**

(58) **Field of Classification Search** D26/1-4;
313/313, 315, 316, 317, 318, 493; 315/52,
315/53, 56, 57, 58

See application file for complete search history.

(56) **References Cited**

U.S. PATENT DOCUMENTS

D501,264 S *	1/2005	To et al.	D26/3
7,086,756 B2	8/2006	Maxik		
D535,038 S *	1/2007	Egawa et al.	D26/2
D553,267 S *	10/2007	Yuen	D26/2
D582,577 S *	12/2008	Yuen	D26/2
D613,432 S *	4/2010	Chen et al.	D26/2
D625,439 S	10/2010	Lai et al.		
D631,567 S	1/2011	Lodhie		
D641,919 S	7/2011	Parker et al.		

D642,325 S	7/2011	Parker et al.		
D645,170 S	9/2011	Parker et al.		
8,013,501 B2	9/2011	Carroll et al.		
D646,808 S	10/2011	Shi		
D647,640 S	10/2011	Parker et al.		
D647,647 S	10/2011	Parker et al.		
D666,340 S	8/2012	Sakamoto et al.		
D670,410 S *	11/2012	Van De Ven et al.	D26/2
2008/0170398 A1	7/2008	Kim		
2008/0232116 A1	9/2008	Kim		
2010/0201284 A1	8/2010	Kraus		
2011/0116266 A1	5/2011	Kim		
2011/0163683 A1	7/2011	Steele et al.		

OTHER PUBLICATIONS

U.S. Appl. No. 29/390,527, filed Apr. 26, 2011, McGuire, et al.

* cited by examiner

Primary Examiner — Marcus Jackson

(74) *Attorney, Agent, or Firm* — John T. Dipre; David V. Uprite; Steven W. Miller

(57) **CLAIM**

The ornamental design for a light bulb, as shown and described.

DESCRIPTION

FIG. 1 is a perspective view of a first embodiment of a lighting apparatus;

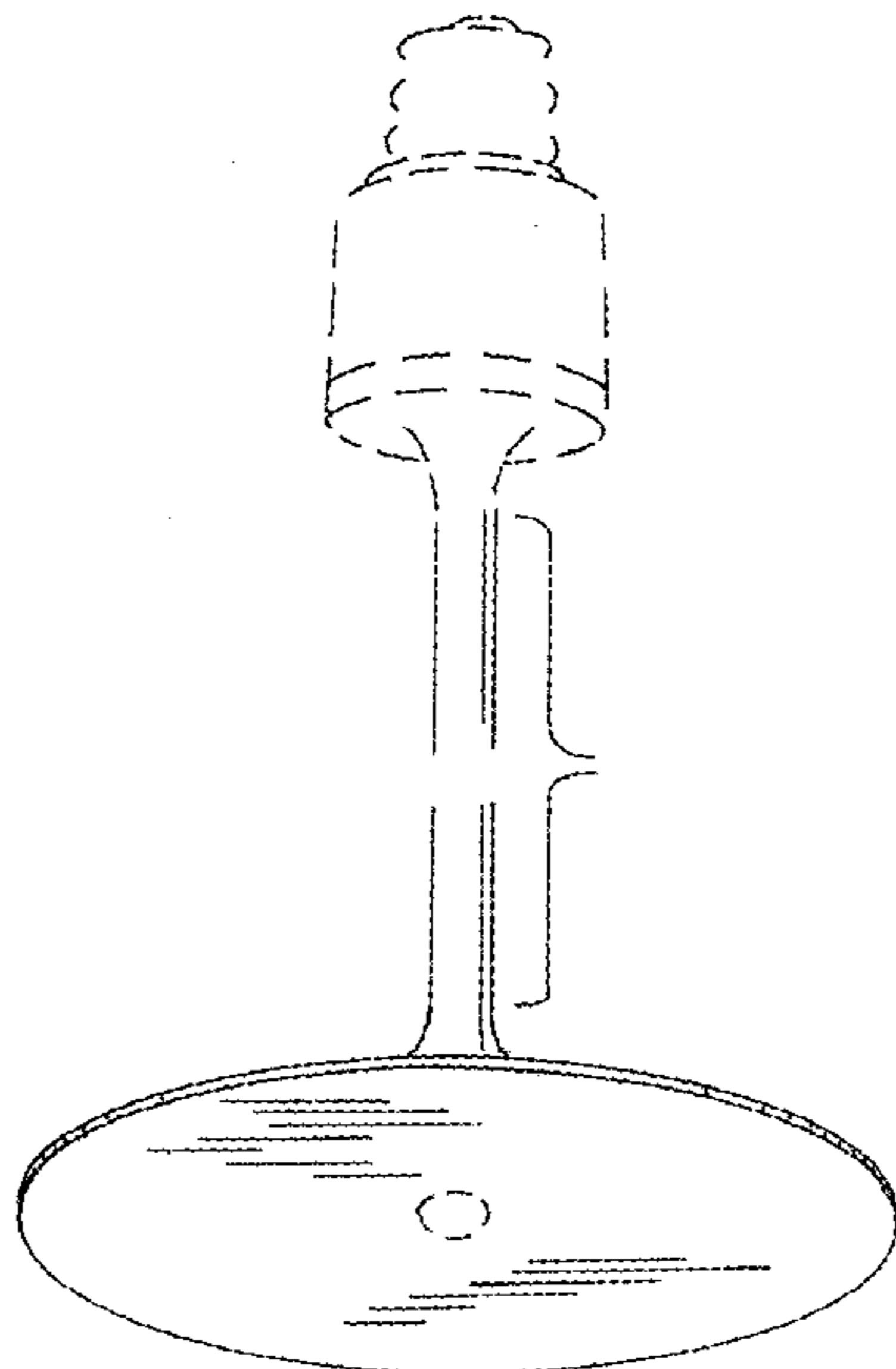
FIG. 2 is a side view thereof, all other side views being the same as the side view;

FIG. 3 is a bottom view thereof; and,

FIG. 4 is a sectional view thereof, taken along the line 4-4 of FIG. 2.

The broken line showing of the upper portion is included for the purpose of illustrating only and forms no part of the claimed design.

1 Claim, 2 Drawing Sheets



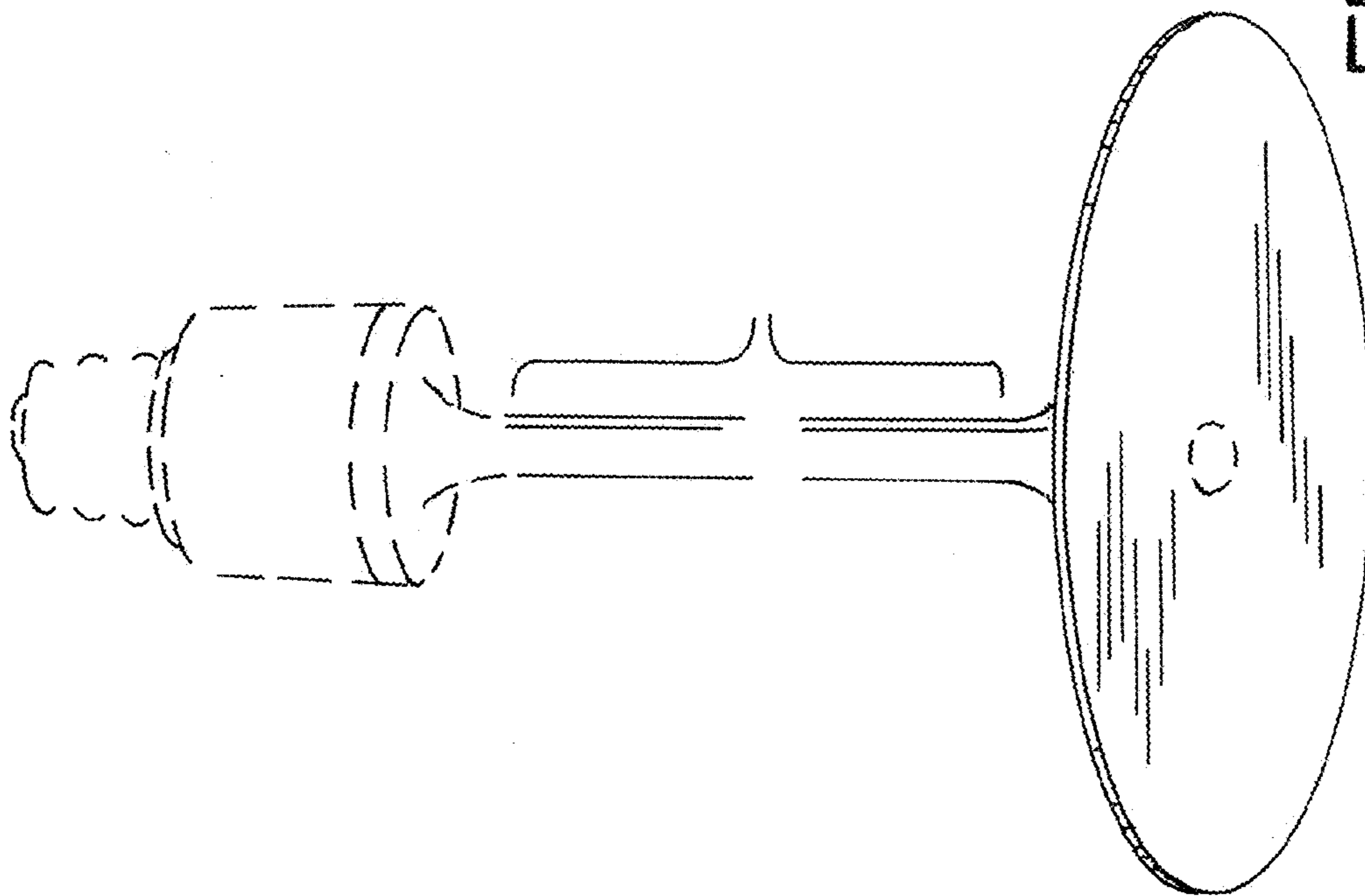


FIG. 1

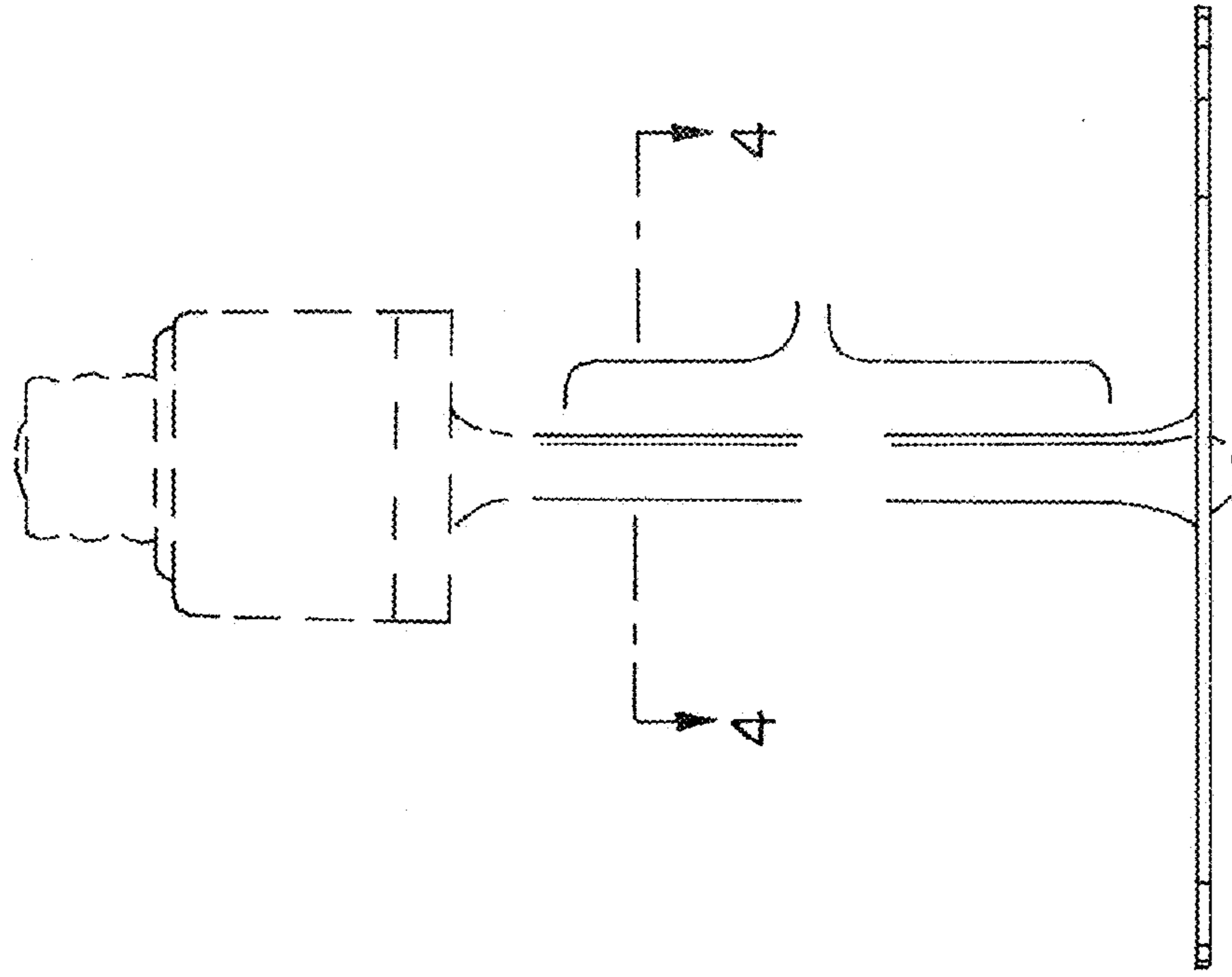


FIG. 2

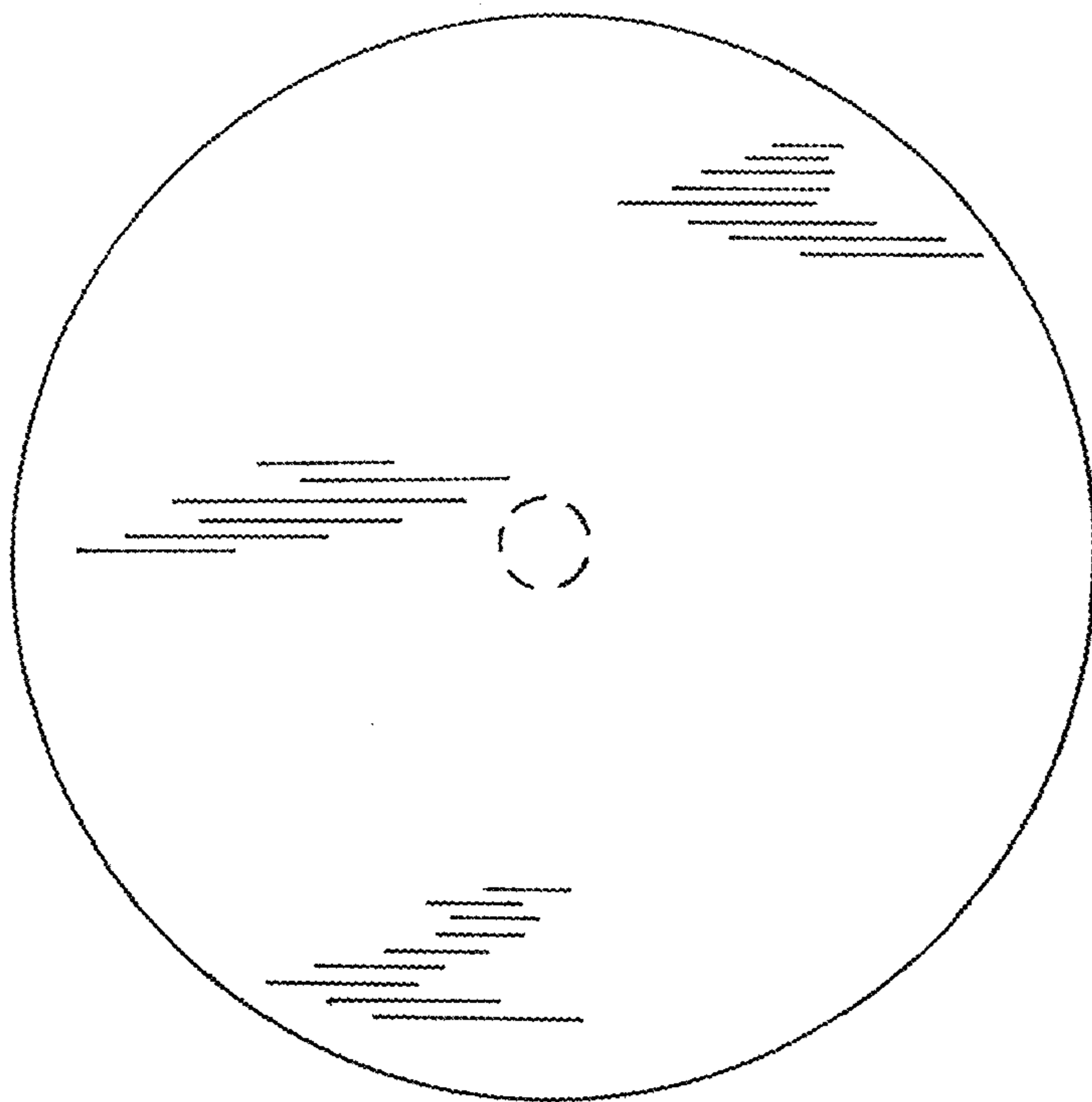


FIG. 3

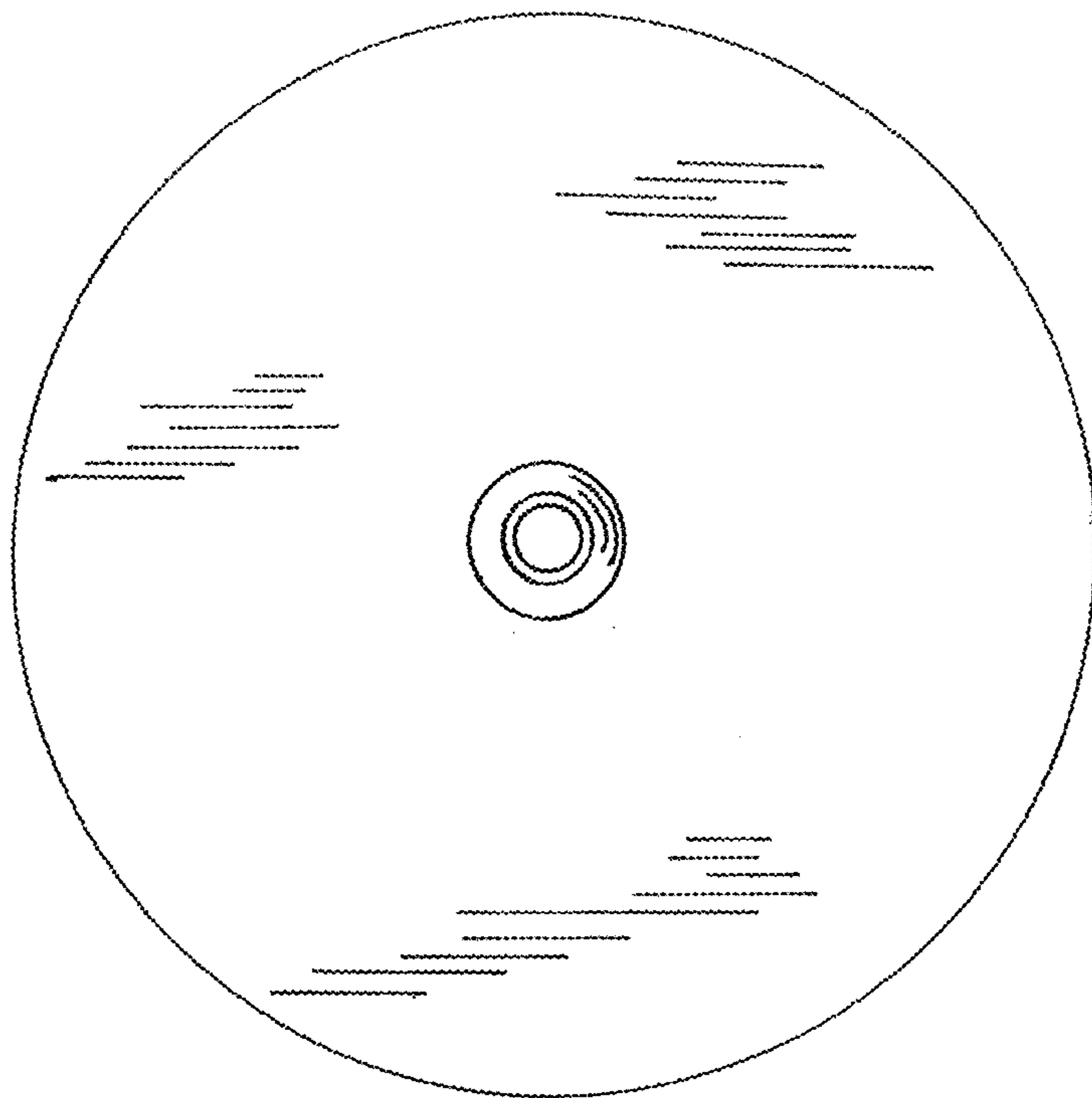


FIG. 4