



US00D683482S

(12) **United States Design Patent**
Bierhuizen et al.

(10) **Patent No.:** **US D683,482 S**

(45) **Date of Patent:** **** May 28, 2013**

(54) **LED MODULE**

(75) **Inventors:** **Serge Joel Armand Bierhuizen**, San Jose, CA (US); **Frederic Stephane Diana**, Santa Clara, CA (US)

(73) **Assignee:** **Koninklijke Philips Electronics N.V.**, Eindhoven (NL)

(**) **Term:** **14 Years**

(21) **Appl. No.:** **29/402,759**

(22) **Filed:** **Sep. 27, 2011**

(51) **LOC (9) Cl.** **26-04**

(52) **U.S. Cl.**
USPC **D26/1; D13/180**

(58) **Field of Classification Search** D26/1-4;
D13/180-182; 313/313, 315, 316, 317, 318,
313/493; 362/555, 800

See application file for complete search history.

(56) **References Cited**

U.S. PATENT DOCUMENTS

D528,996 S *	9/2006	Egawa	D13/180
D573,553 S *	7/2008	Uemoto et al.	D13/180
D577,690 S *	9/2008	Shida et al.	D13/180
D598,401 S *	8/2009	Takada et al.	D13/182
D622,876 S *	8/2010	Takahashi et al.	D26/1
D636,899 S *	4/2011	Shibahara	D26/1

* cited by examiner

Primary Examiner — Marcus Jackson

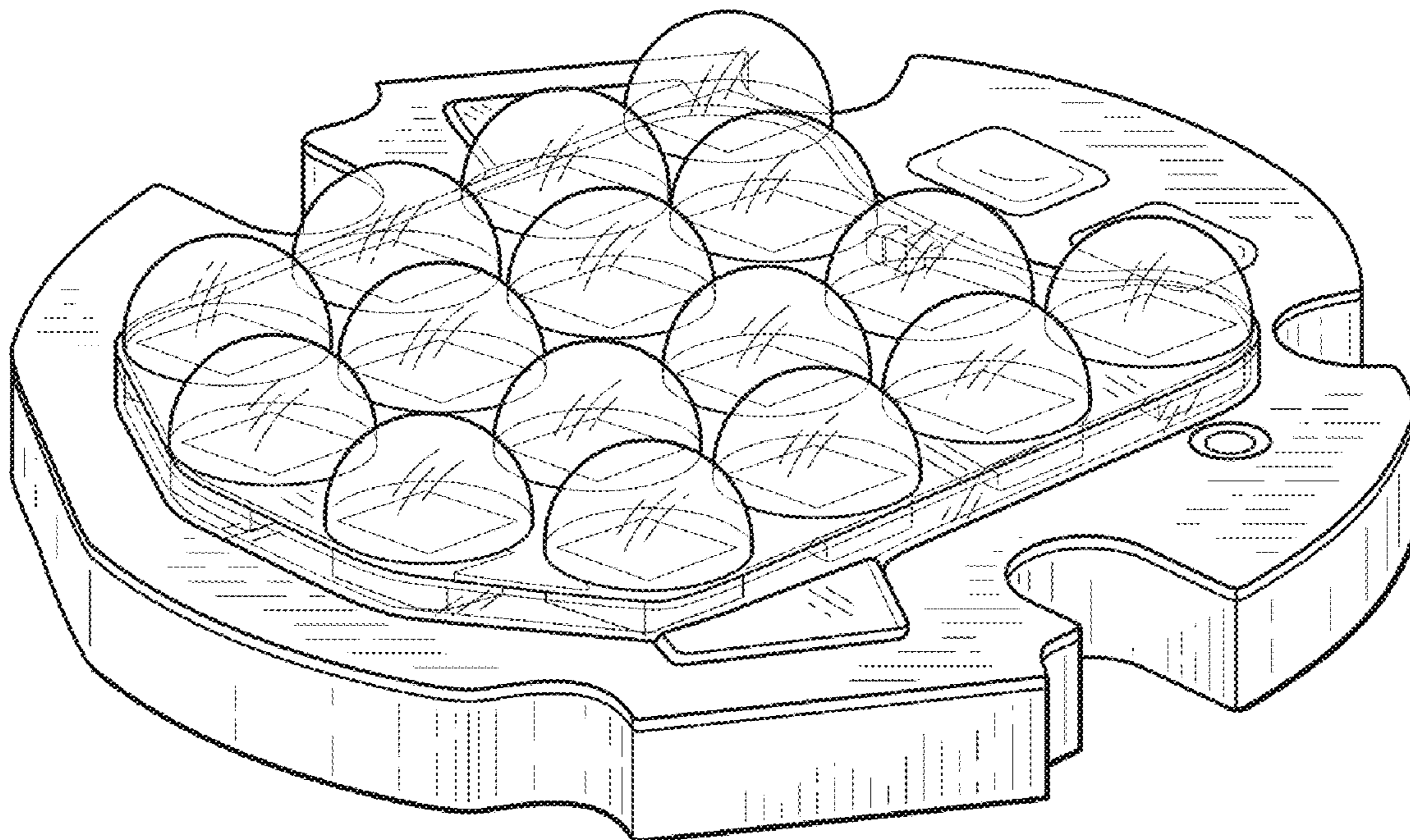
(57) **CLAIM**

The ornamental design for a LED module, as shown.

DESCRIPTION

FIG. 1 is a perspective view showing my design;
FIG. 2 is a front elevational view thereof;
FIG. 3 is a rear elevational view thereof;
FIG. 4 is a right side elevational view thereof;
FIG. 5 is a left side elevational view thereof;
FIG. 6 is a top plan view thereof; and,
FIG. 7 is a bottom plan view thereof.

1 Claim, 6 Drawing Sheets



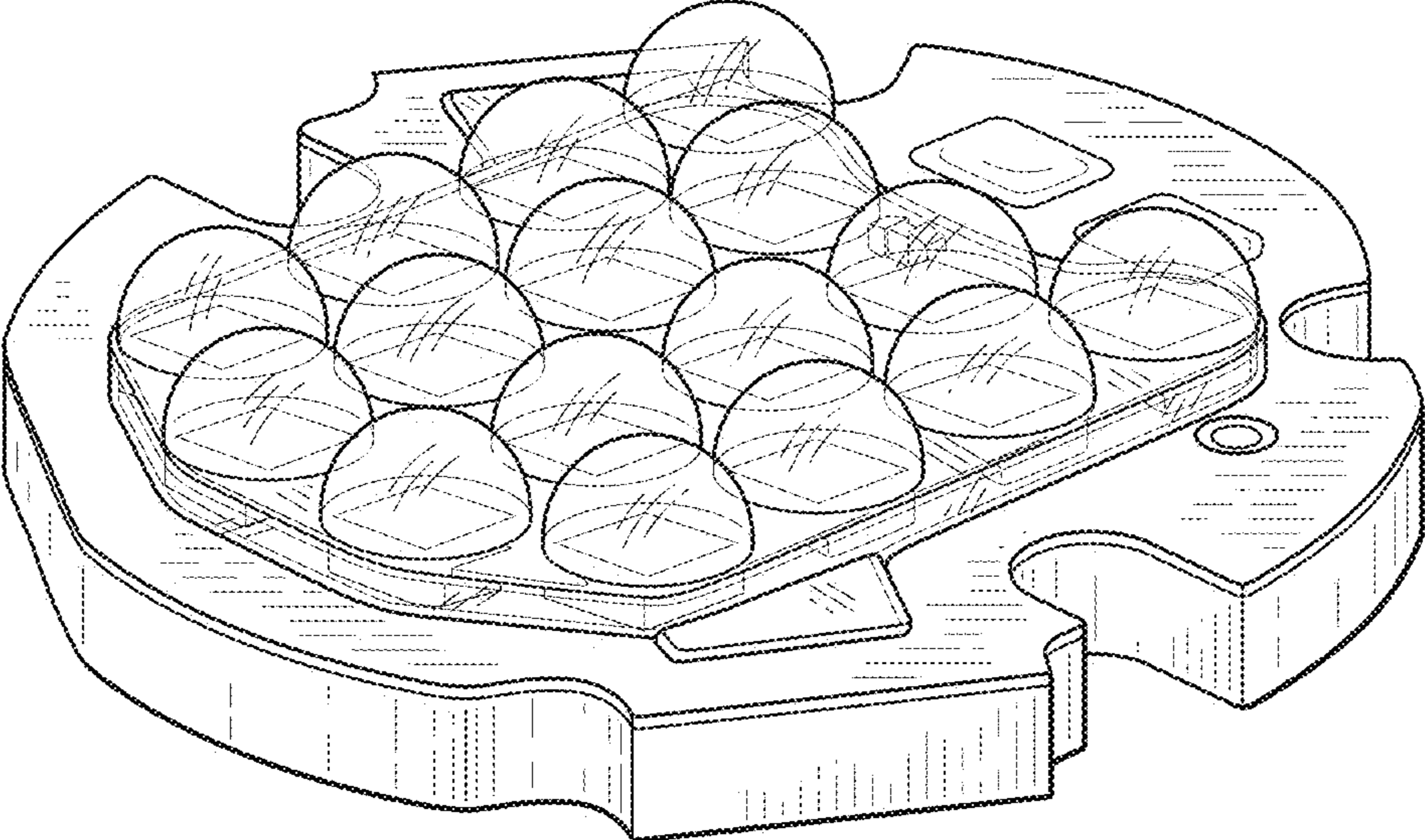


FIG. 1

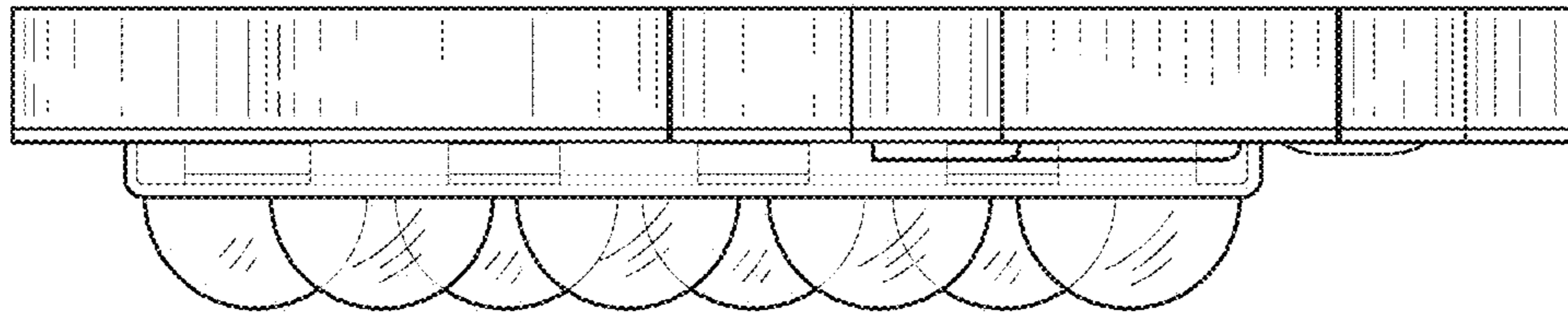


FIG. 2

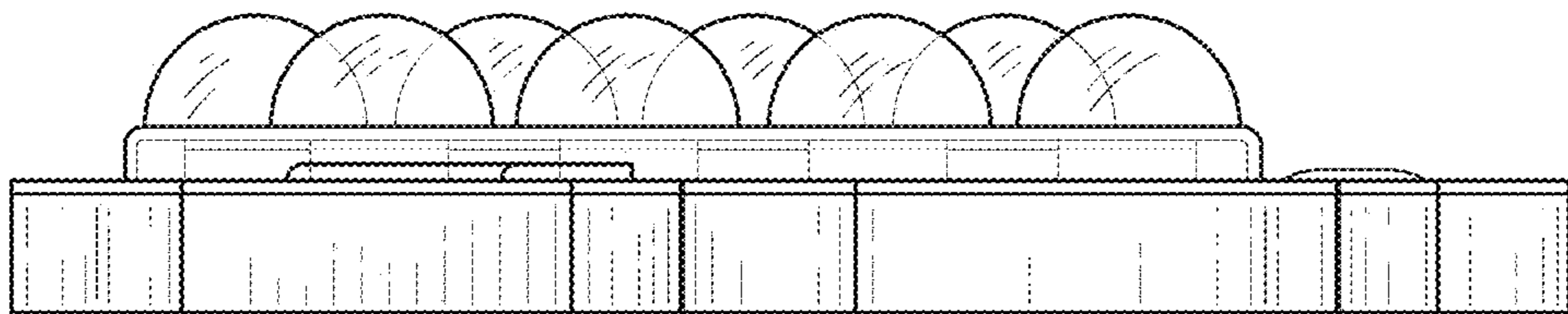


FIG. 3

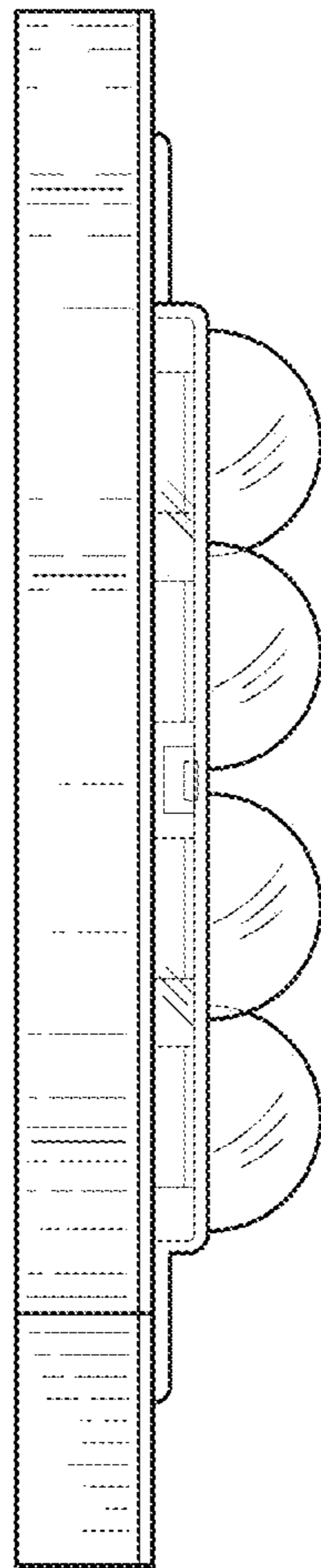


FIG. 4

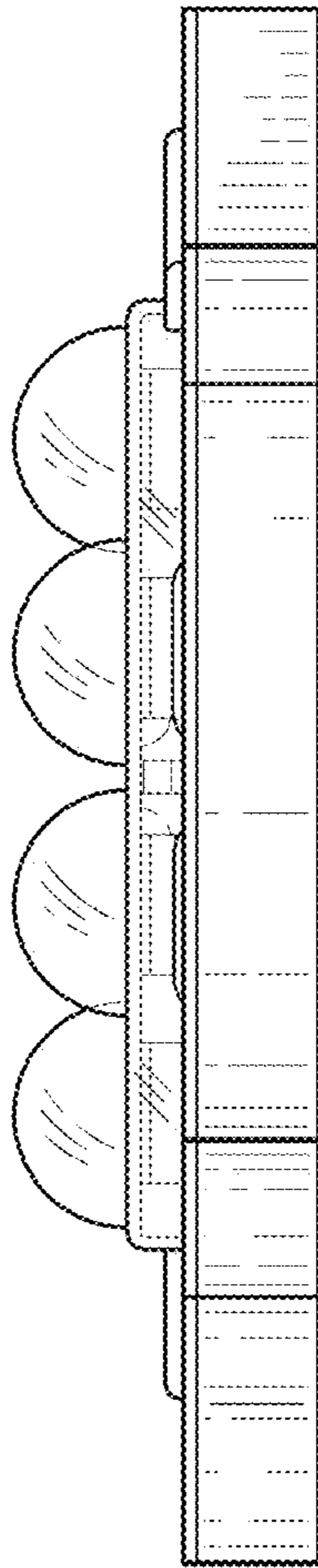


FIG. 5

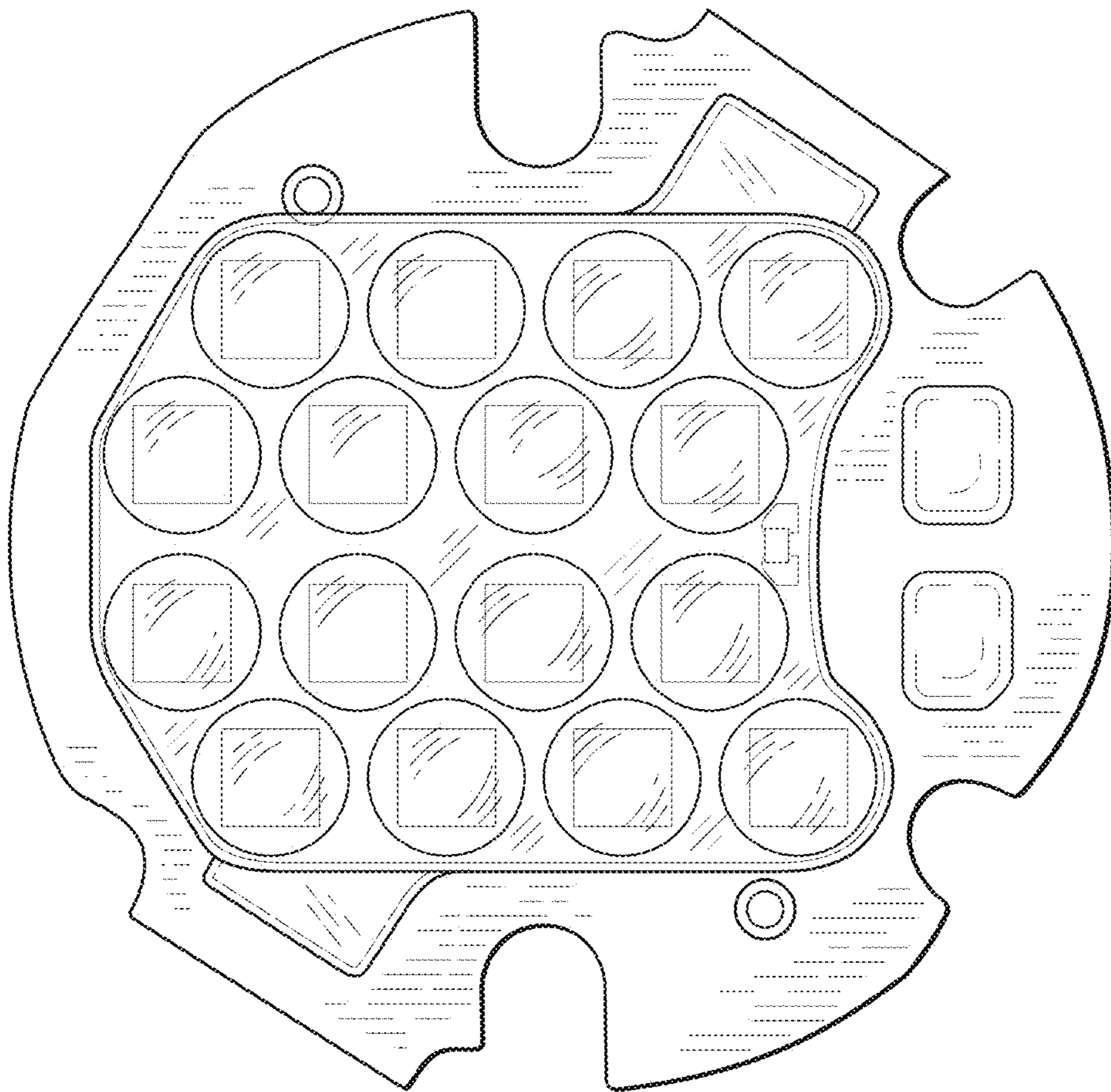


FIG. 6

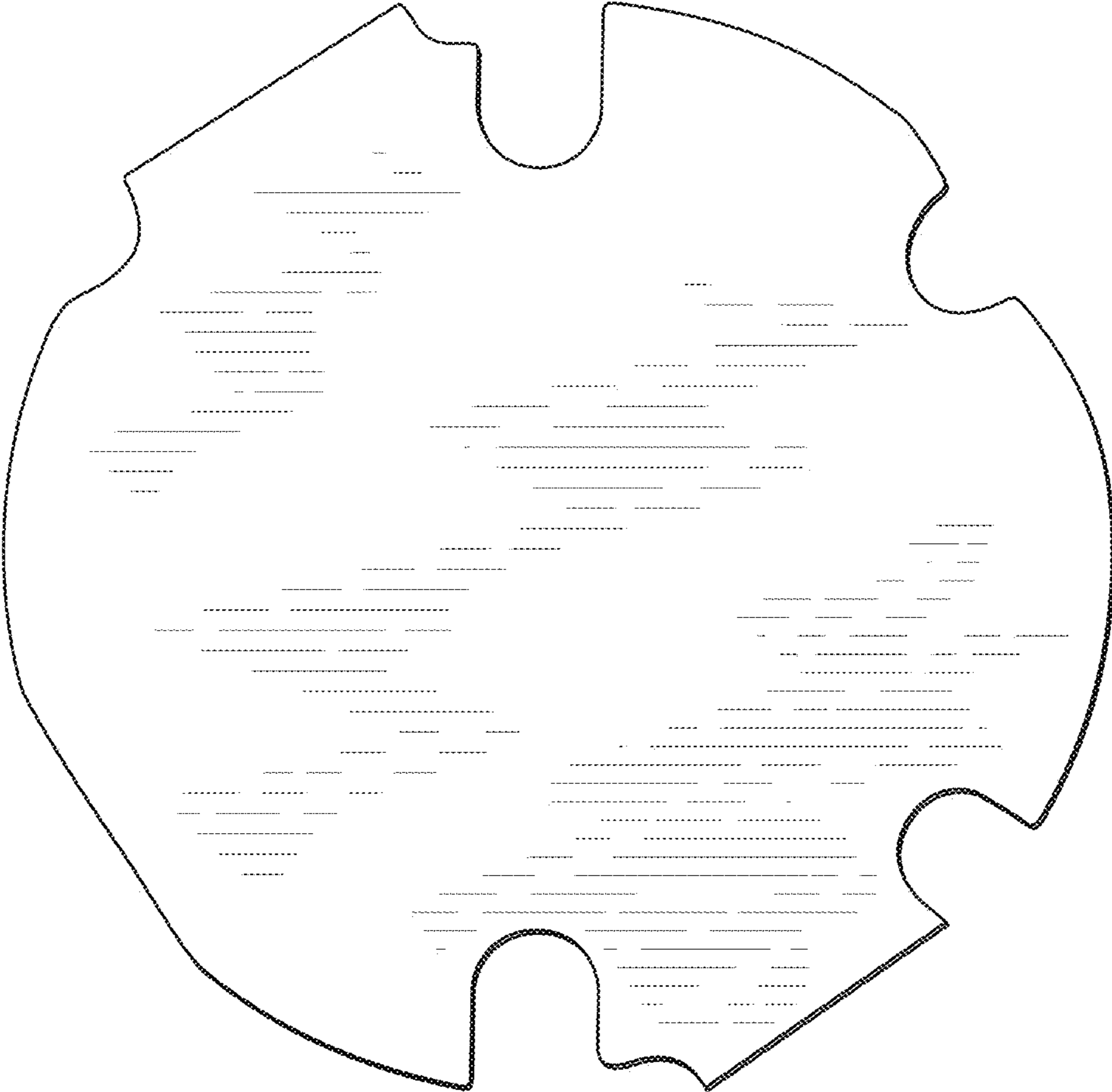


FIG. 7