



US00D683481S

(12) **United States Design Patent**  
**Bierhuizen et al.**

(10) **Patent No.:** **US D683,481 S**

(45) **Date of Patent:** **\*\* May 28, 2013**

(54) **LED MODULE**

(75) Inventors: **Serge Joel Armand Bierhuizen**, San Jose, CA (US); **Jaan Huan Chan**, Menglembu (MY); **Axel Mehnert**, Mountain View, CA (US)

(73) Assignee: **Koninklijke Philips Electronics N.V.**, Eindhoven (NL)

(\*\*) Term: **14 Years**

(21) Appl. No.: **29/402,758**

(22) Filed: **Sep. 27, 2011**

(51) **LOC (9) Cl.** ..... **26-04**

(52) **U.S. Cl.**  
USPC ..... **D26/1; D13/180**

(58) **Field of Classification Search** ..... **D26/1-4; D13/180-182; 313/313, 315, 316, 317, 318, 313/493; 362/555, 800**

See application file for complete search history.

(56) **References Cited**

U.S. PATENT DOCUMENTS

D634,863	S	*	3/2011	Leung	.....	D26/1
D636,899	S	*	4/2011	Shibahara	.....	D26/1
D667,145	S	*	9/2012	Bierhuizen et al.	.....	D26/1

\* cited by examiner

*Primary Examiner* — Marcus Jackson

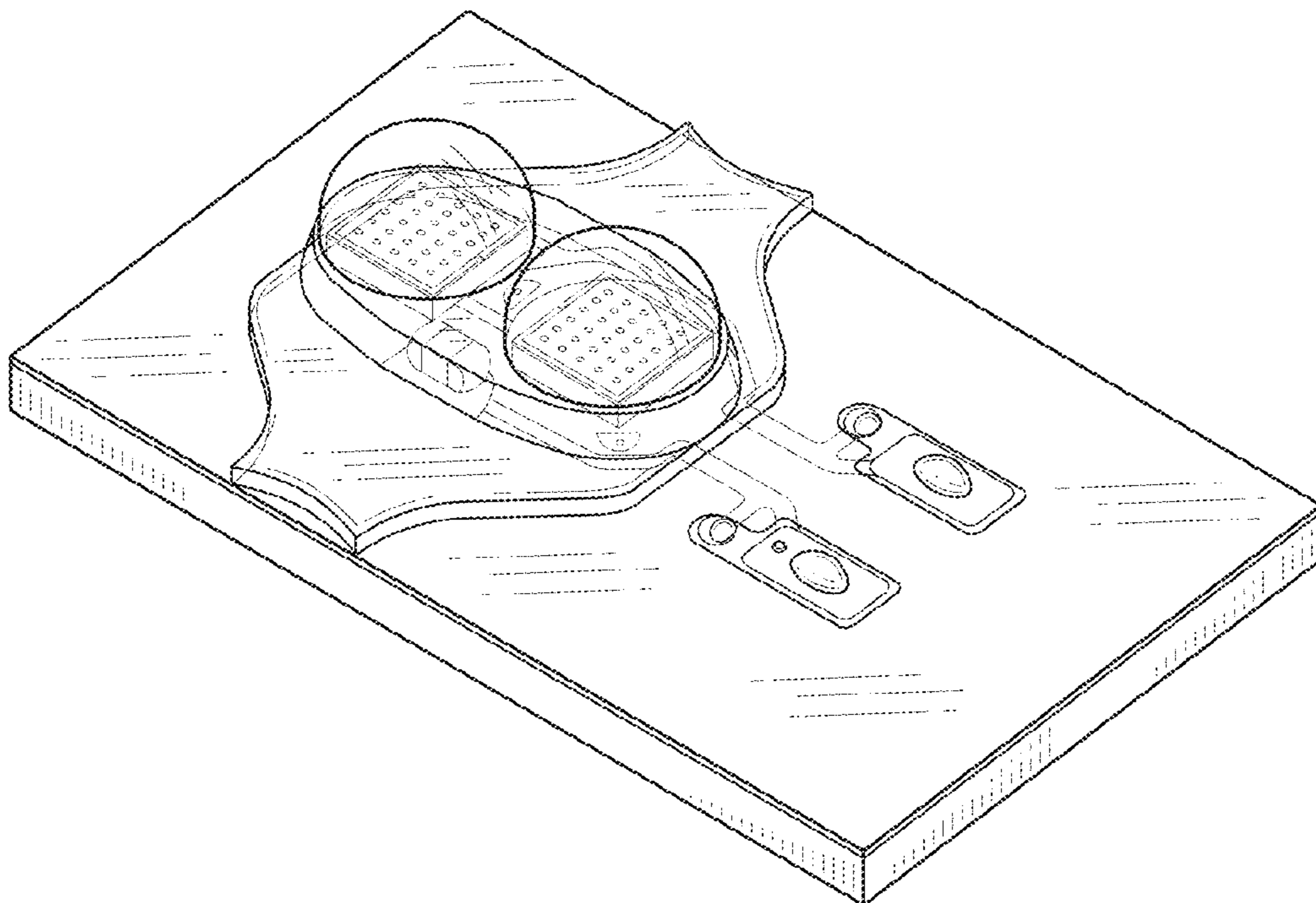
(57) **CLAIM**

The ornamental design for a LED module, as shown.

**DESCRIPTION**

FIG. 1 is a perspective view showing my design; FIG. 2 is a front elevational view thereof; FIG. 3 is a rear elevational view thereof; FIG. 4 is a right side elevational view thereof; FIG. 5 is a left side elevational view thereof; FIG. 6 is a top plan view thereof; and, FIG. 7 is a bottom plan view thereof.

**1 Claim, 4 Drawing Sheets**



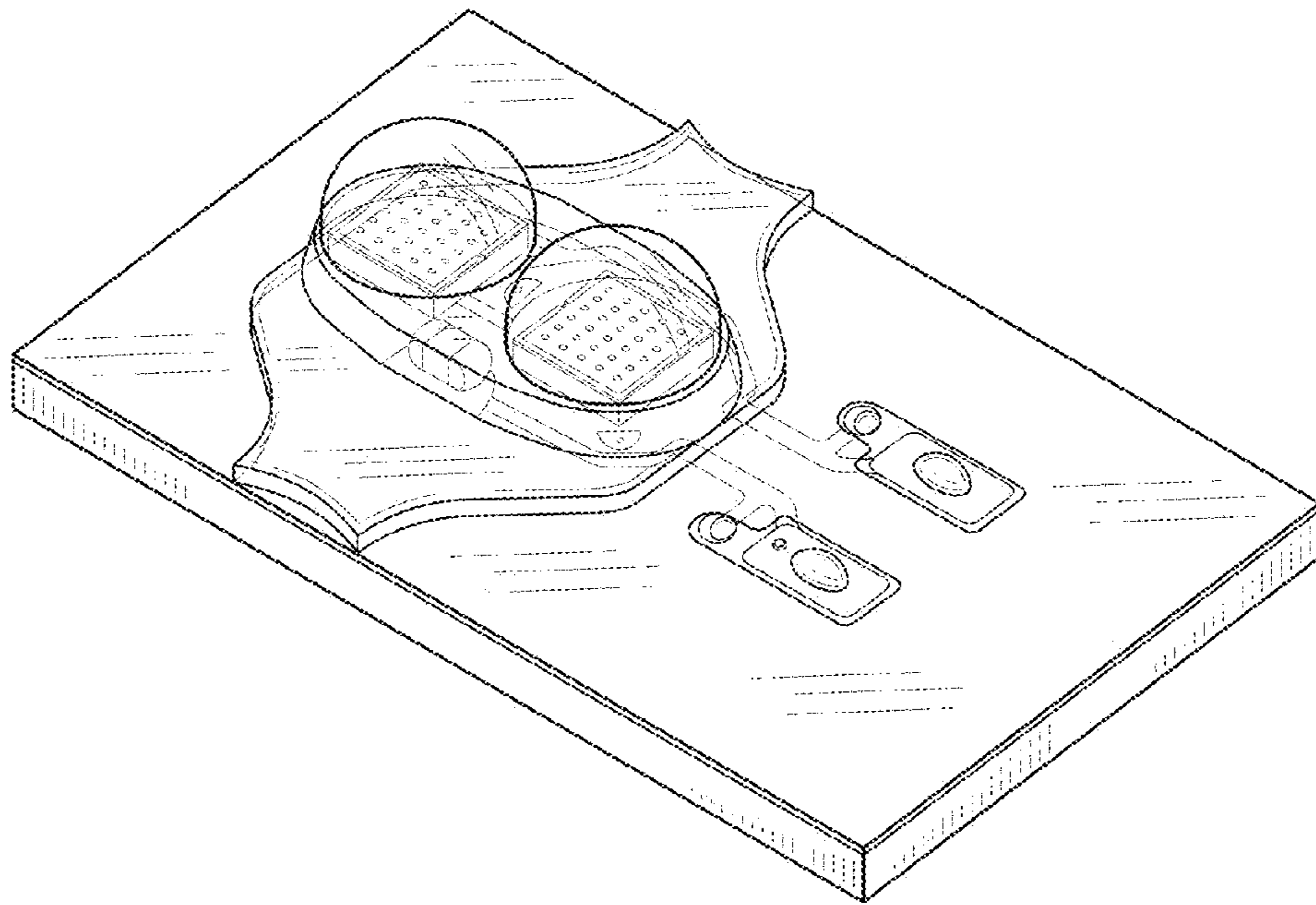


FIG. 1

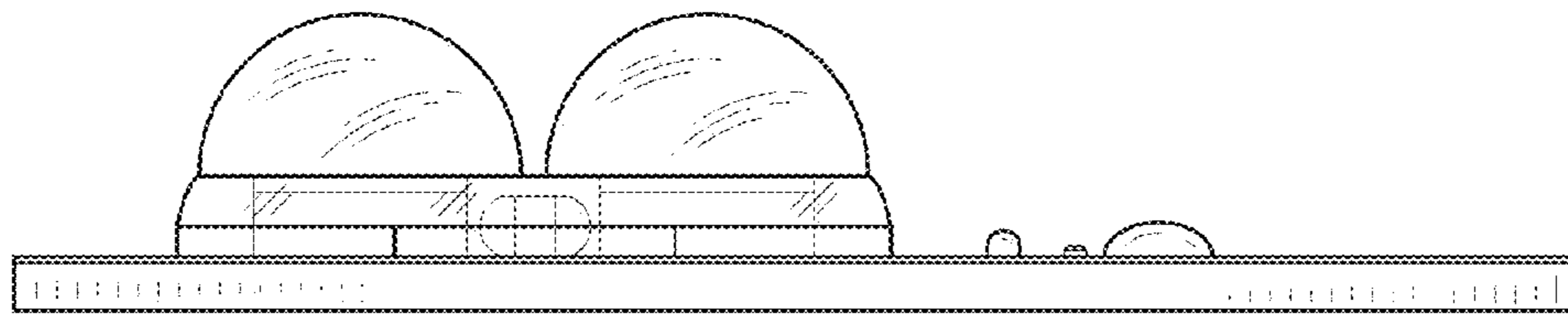


FIG. 2

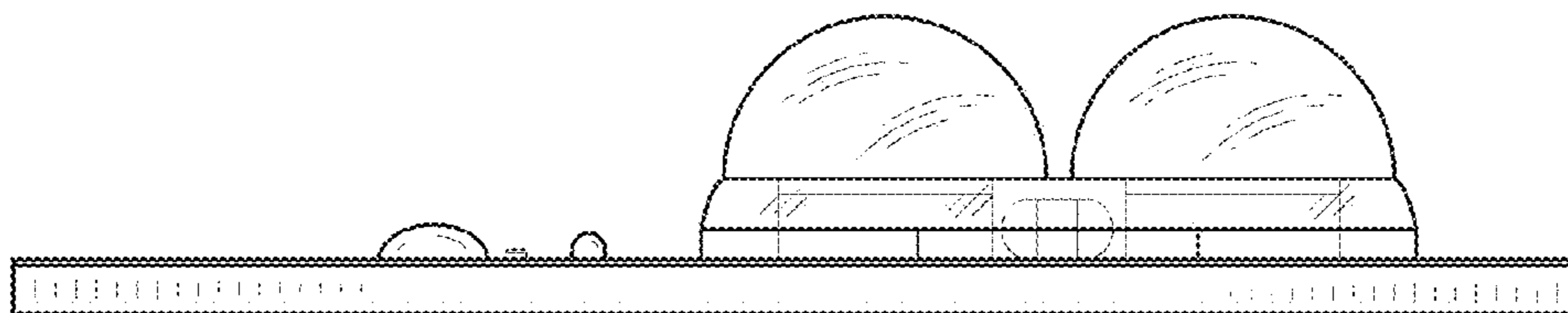


FIG. 3

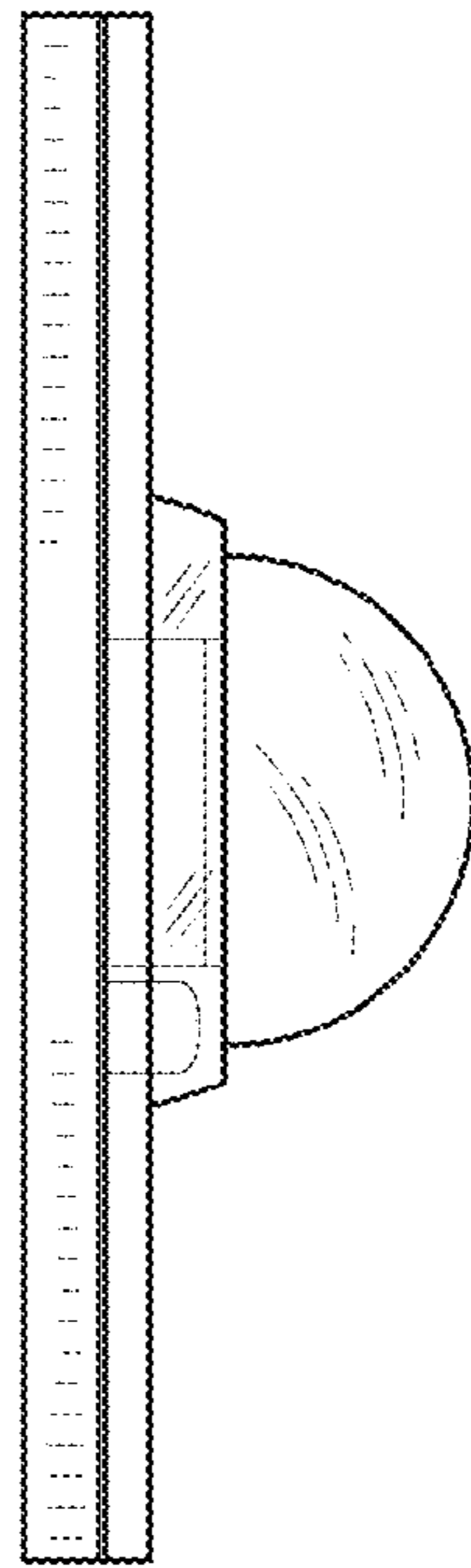


FIG. 4

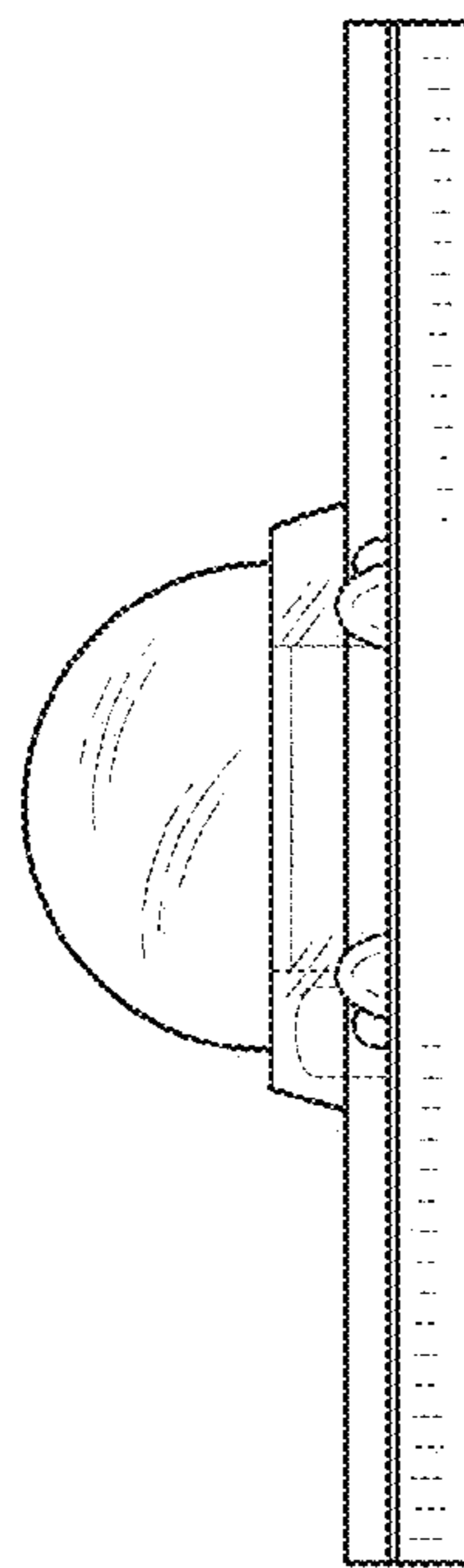


FIG. 5

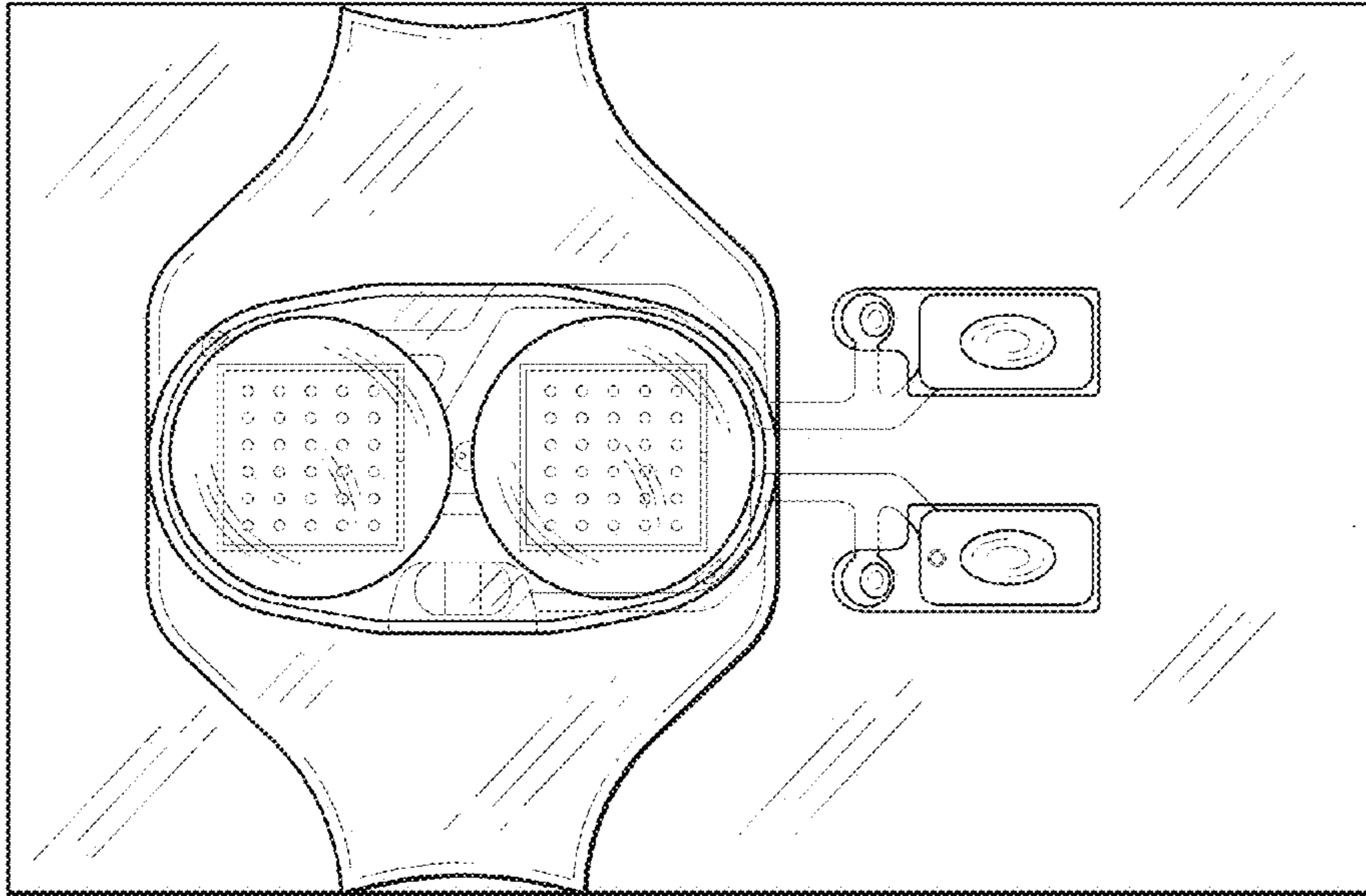


FIG. 6

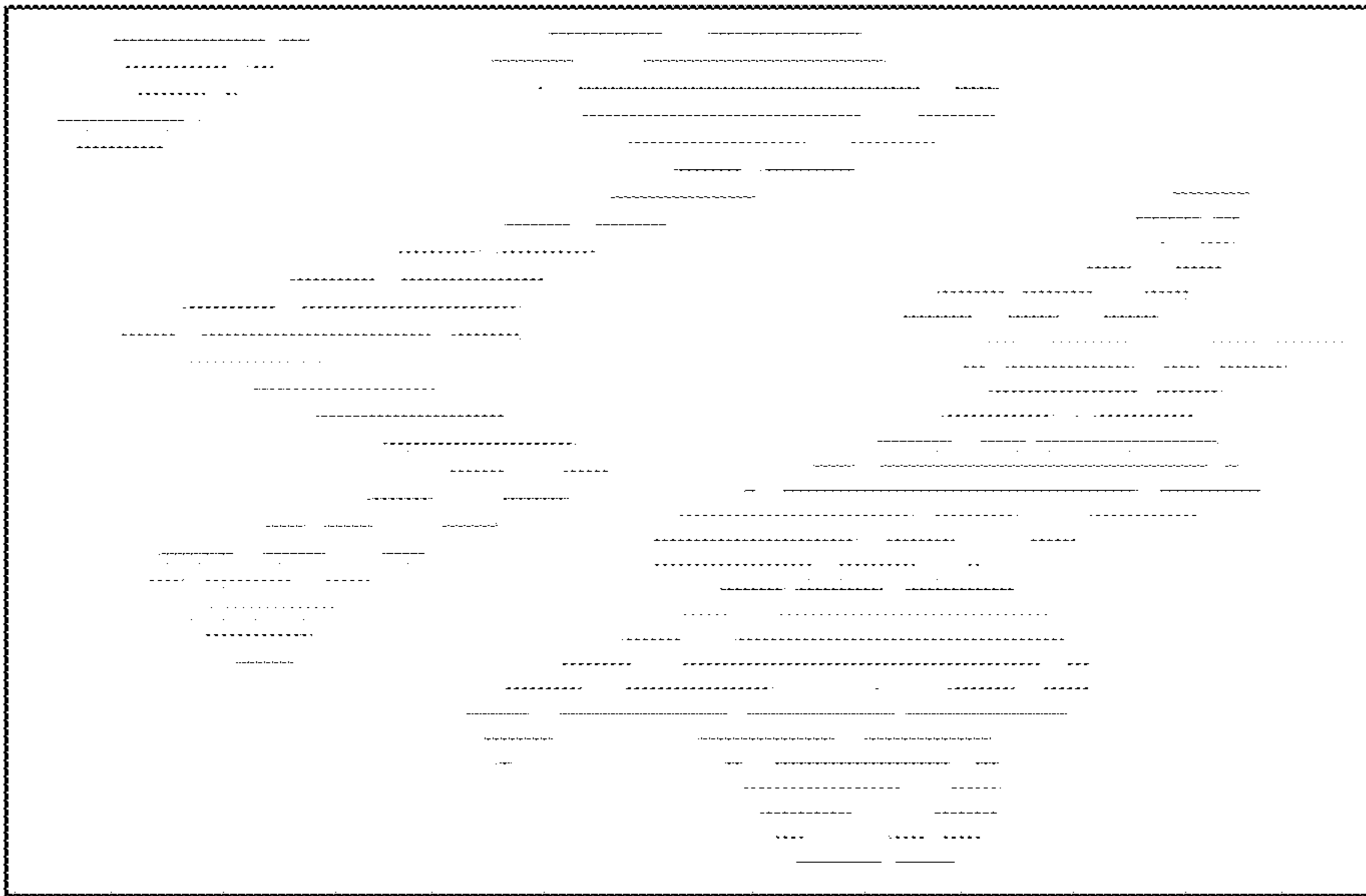


FIG. 7