



US00D683479S

(12) **United States Design Patent**
Göransson et al.

(10) **Patent No.:** **US D683,479 S**
(45) **Date of Patent:** **** May 28, 2013**

(54) **LADDER STEP**

- (71) Applicant: **Telesteps AB**, Tranås (SE)
- (72) Inventors: **Magnus Göransson**, Tranås (SE); **Jens Bernhardsson**, Tranås (SE)
- (73) Assignee: **Telesteps AB**, Tranås (SE)
- (**) Term: **14 Years**
- (21) Appl. No.: **29/433,717**
- (22) Filed: **Oct. 4, 2012**

Related U.S. Application Data

- (62) Division of application No. 29/396,334, filed on Jun. 29, 2011.

Foreign Application Priority Data

- Dec. 29, 2010 (EM) 001799875
- Dec. 29, 2010 (EM) 001799883
- (51) **LOC (9) Cl.** **25-04**
- (52) **U.S. Cl.**
USPC **D25/69**
- (58) **Field of Classification Search**
USPC D25/64, 69; 182/156, 40, 180.1,
182/202, 201, 204, 228.1, 228.2, 228.6
See application file for complete search history.

(56) **References Cited**

U.S. PATENT DOCUMENTS

3,085,651	A *	4/1963	Rich	D25/64
3,232,378	A *	2/1966	Larson	182/194
D258,839	S *	4/1981	Broyles	D25/69
D365,402	S	12/1995	Jones		
6,032,759	A *	3/2000	Yeh	182/228.1
D462,453	S *	9/2002	Johansson	D25/69
D535,757	S	1/2007	Davis		
2006/0283664	A1	12/2006	Yao		

* cited by examiner

Primary Examiner — Doris Clark

(74) *Attorney, Agent, or Firm* — Merchant & Gould P.C.

(57) **CLAIM**

The ornamental design for ladder step, as shown and described.

DESCRIPTION

FIG. 1 is a perspective view of a part for a ladder according to the principles of present invention.
 FIG. 2 is a top view of the part of FIG. 1.
 FIG. 3 is a bottom view of the part of FIG. 1.
 FIG. 4 is a front view of the part of FIG. 1.
 FIG. 5 is a side view of the part of FIG. 1.
 FIG. 6 is a perspective view of the part of FIG. 1; and,
 FIG. 7 is a perspective view of the part of FIG. 1.

1 Claim, 7 Drawing Sheets



FIG 1



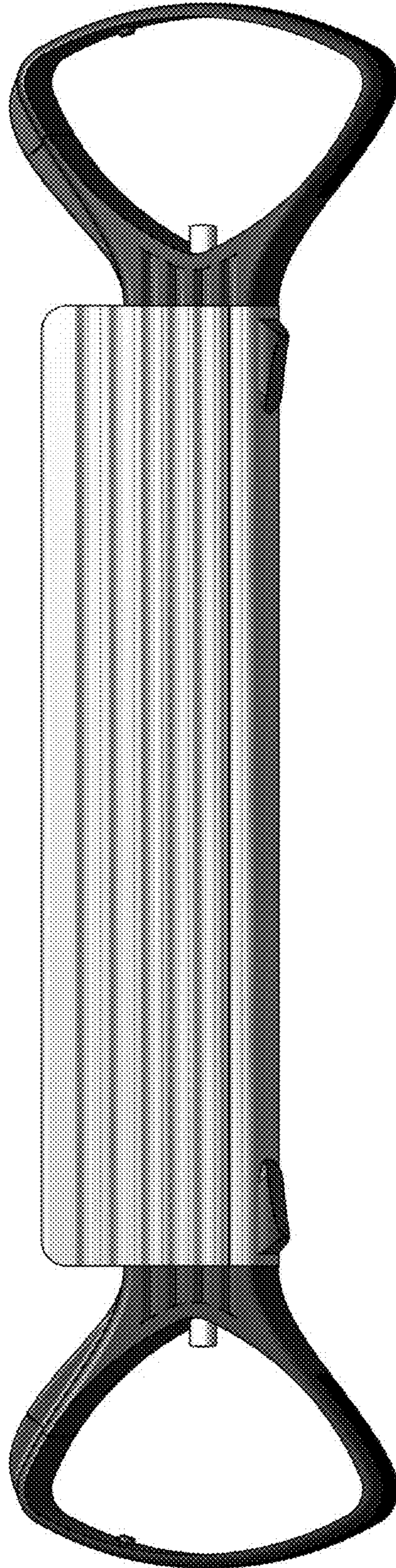


FIG 2

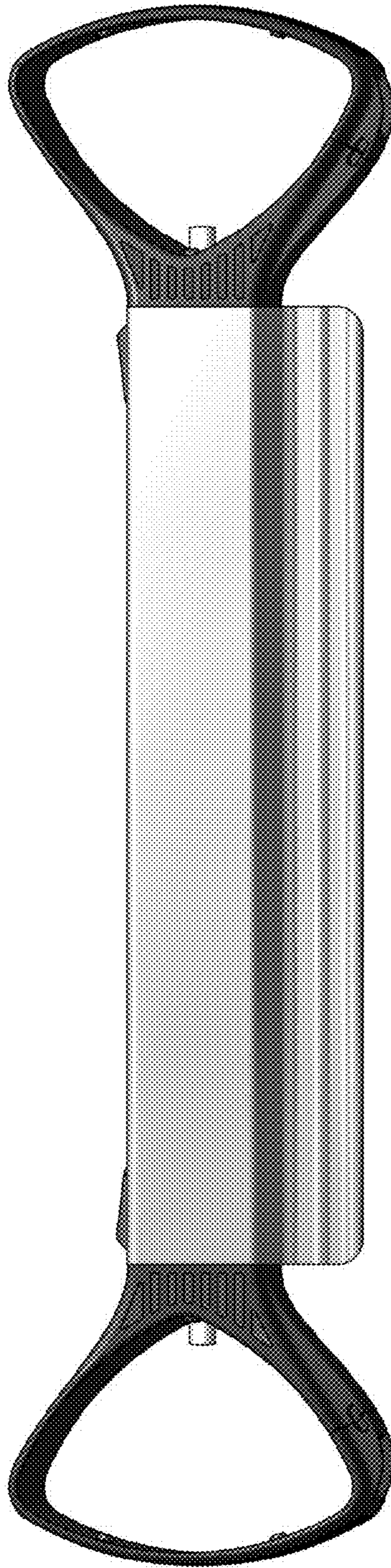


FIG 3

FIG 4

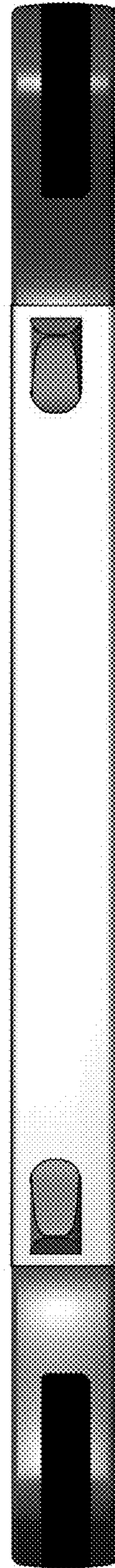


FIG 5

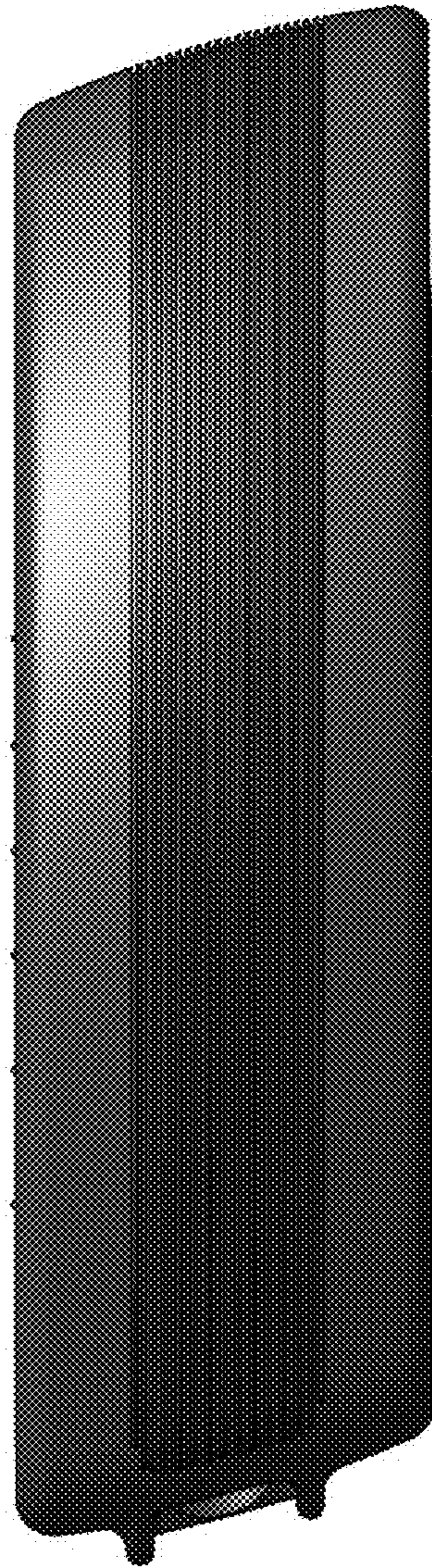


FIG 6

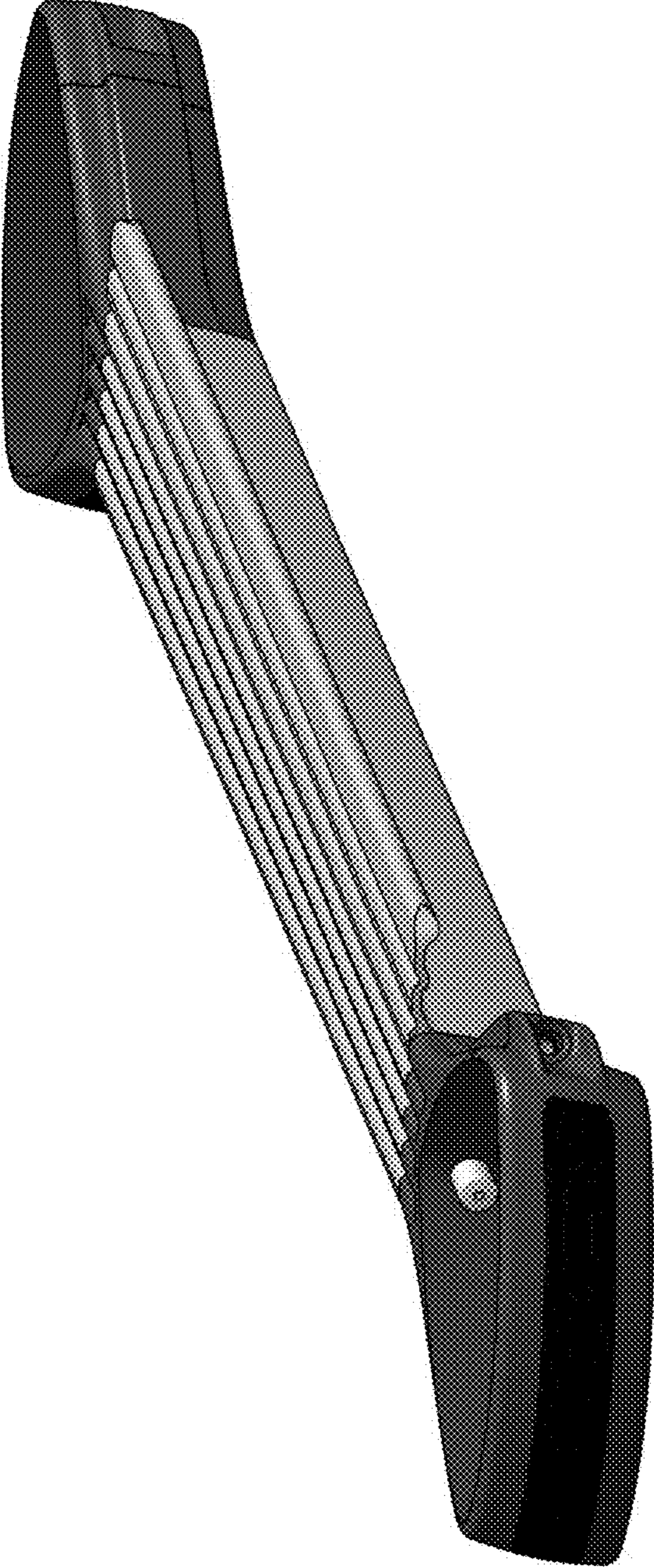


FIG 7

