



US00D683476S

(12) **United States Design Patent**
Mukith et al.

(10) **Patent No.:** **US D683,476 S**

(45) **Date of Patent:** **** May 28, 2013**

(54) **TRAFFIC PLUS BOLLARD**
(75) Inventors: **Abdul Mukith**, Halifax (GB); **Luke Smith**, Halifax (GB)
(73) Assignee: **A-Fax Limited**, West Yorkshire (GB)
(**) Term: **14 Years**
(21) Appl. No.: **29/428,361**
(22) Filed: **Jul. 30, 2012**

D333,873 S * 3/1993 McCue D25/38.1
6,142,701 A * 11/2000 Falcon 404/6
6,155,744 A * 12/2000 Namanny 404/1
D462,126 S * 8/2002 Englund D25/38.1
D500,859 S * 1/2005 Dehart D25/58
2005/0035341 A1 * 2/2005 Montgomery 256/65.11
2005/0189532 A1 * 9/2005 Gasaway et al. 256/65.11
2007/0228352 A1 * 10/2007 Higgs 256/59

* cited by examiner

Primary Examiner — Doris Clark

(74) *Attorney, Agent, or Firm* — Oliff & Berridge, PLC

(30) **Foreign Application Priority Data**
Jan. 30, 2012 (EM) 001983339-0004
(51) **LOC (9) Cl.** **25-02**
(52) **U.S. Cl.**
USPC **D25/38.1**
(58) **Field of Classification Search**
USPC D25/38.1, 43, 58; 256/13.1, 19, 25,
256/59, 65.02, 65.11, 65.14; 404/6, 9
See application file for complete search history.

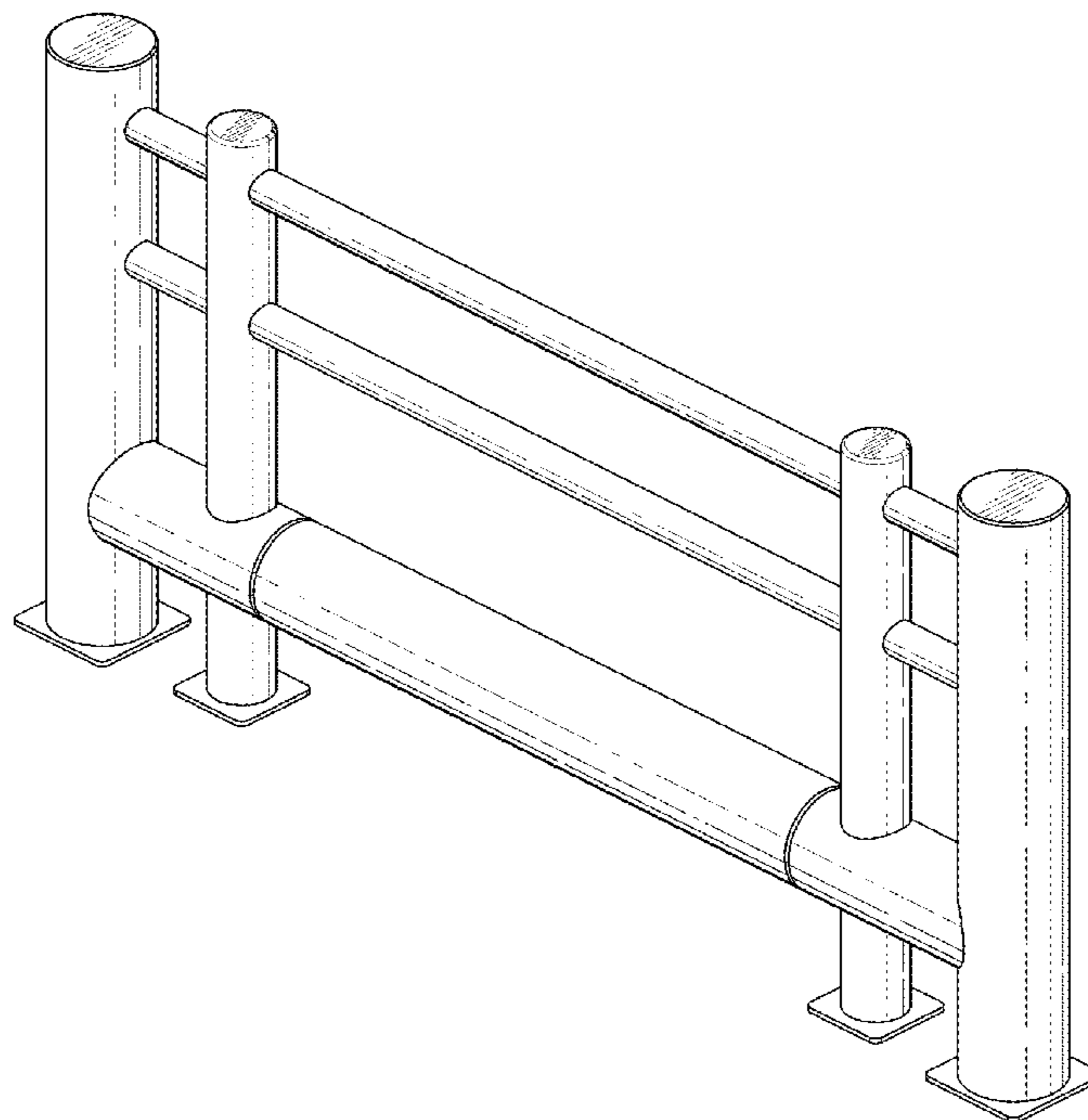
(57) **CLAIM**
The ornamental design for a traffic plus bollard, as shown and described.

(56) **References Cited**
U.S. PATENT DOCUMENTS
4,722,513 A * 2/1988 Gaillard et al. 256/13.1
D305,066 S * 12/1989 Humphrey D25/38.1

DESCRIPTION

FIG. 1 is a perspective view of a traffic plus bollard;
FIG. 2 is a front view thereof;
FIG. 3 is a rear view thereof;
FIG. 4 is a right-side view thereof;
FIG. 5 is a left-side view thereof;
FIG. 6 is a top view thereof; and,
FIG. 7 is a bottom view thereof.

1 Claim, 3 Drawing Sheets



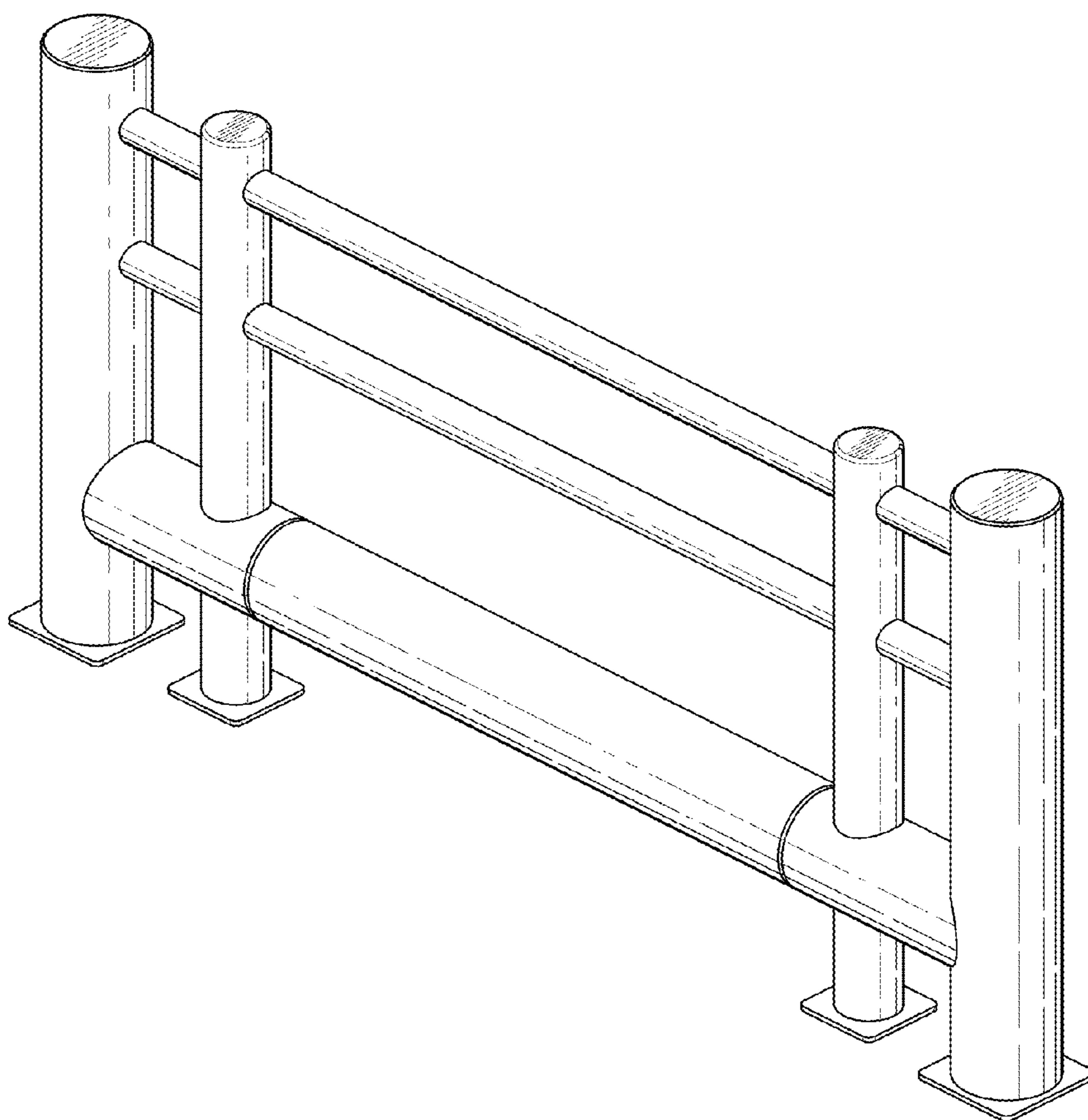


FIG. 1

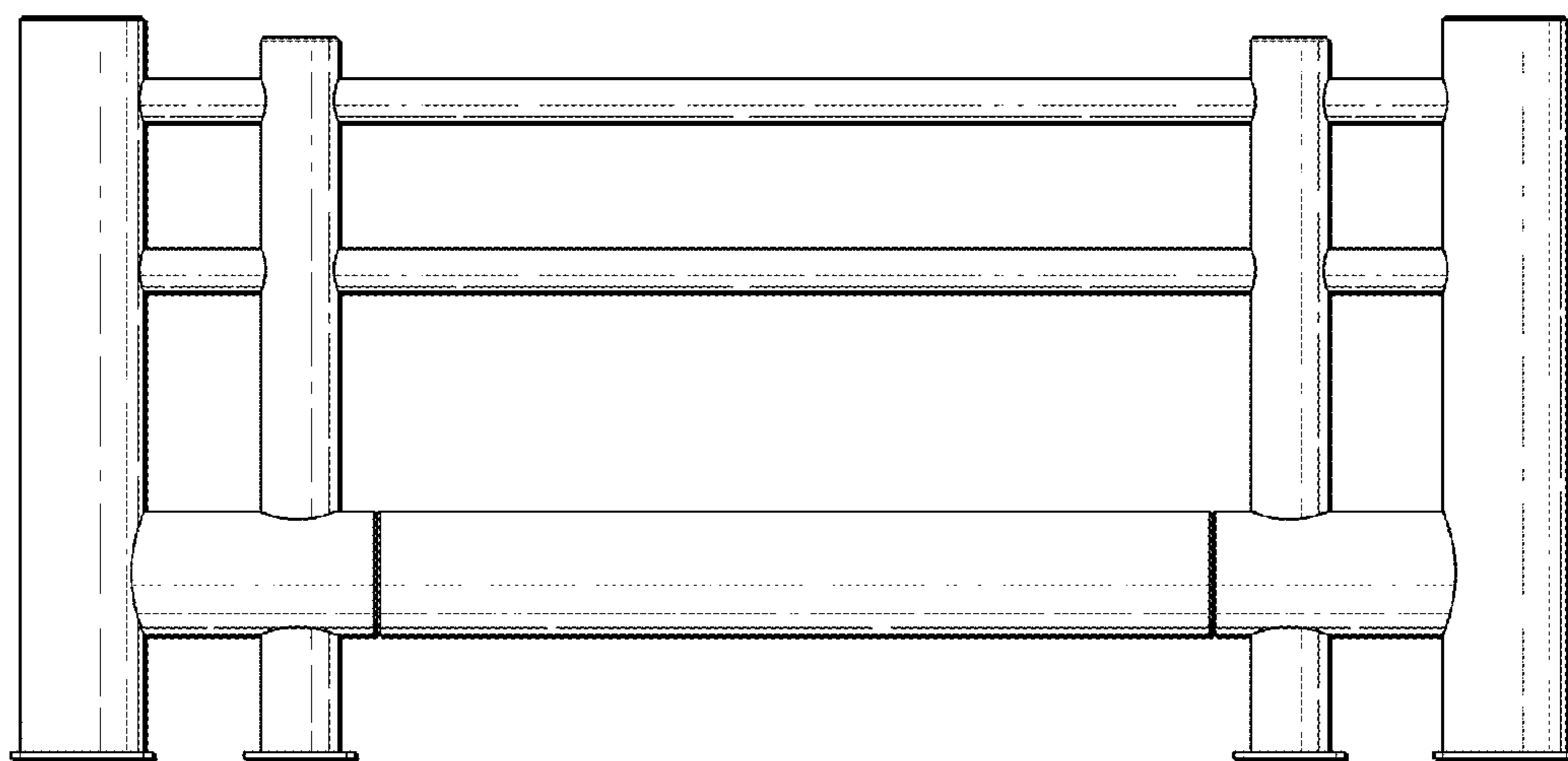


FIG. 2

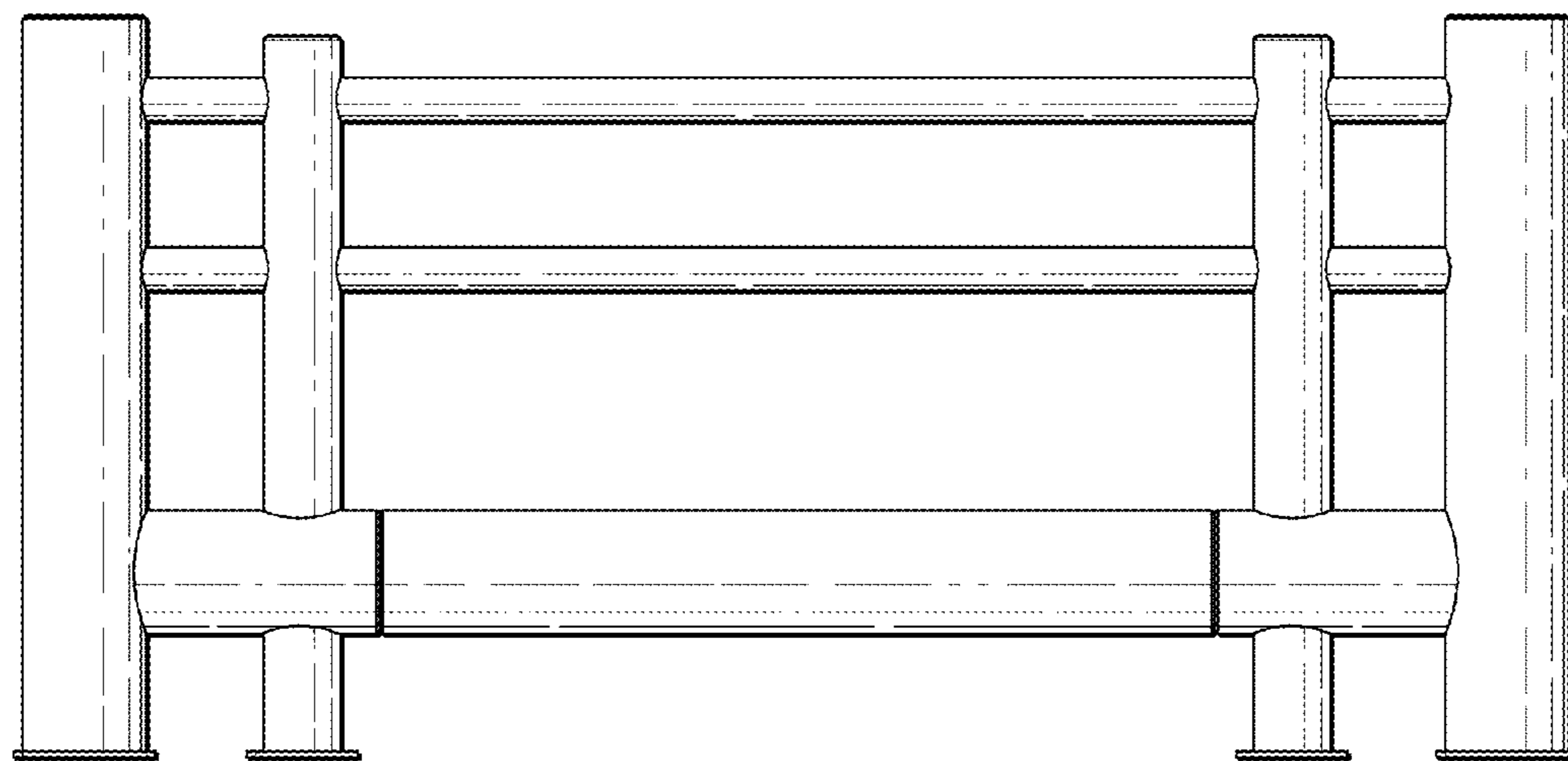


FIG. 3

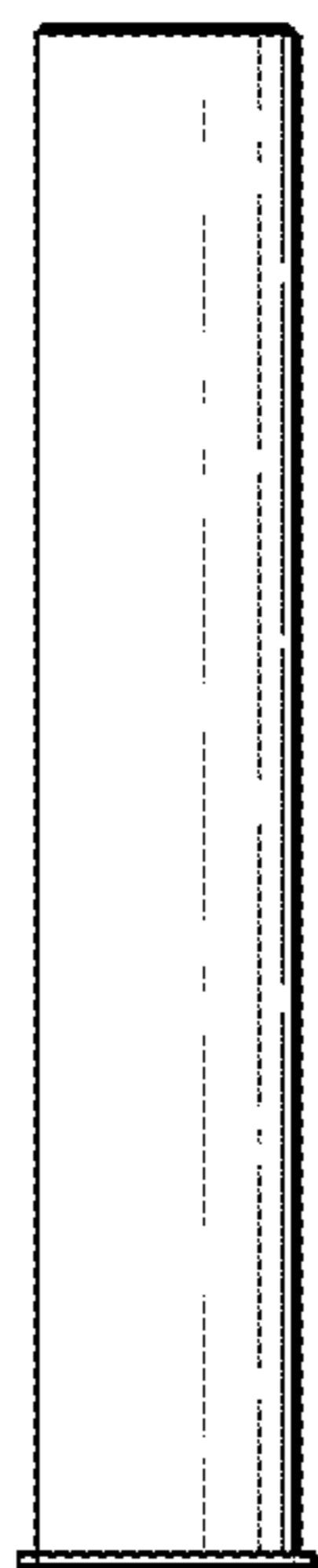


FIG. 4

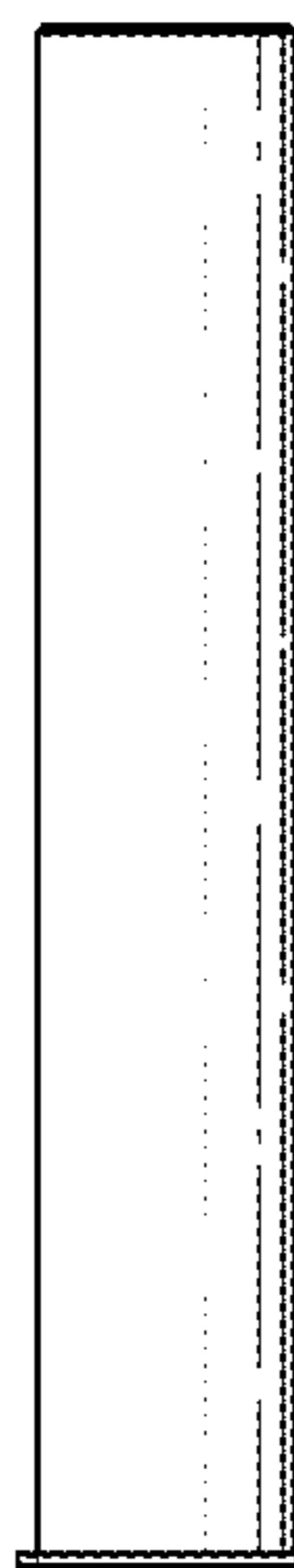


FIG. 5

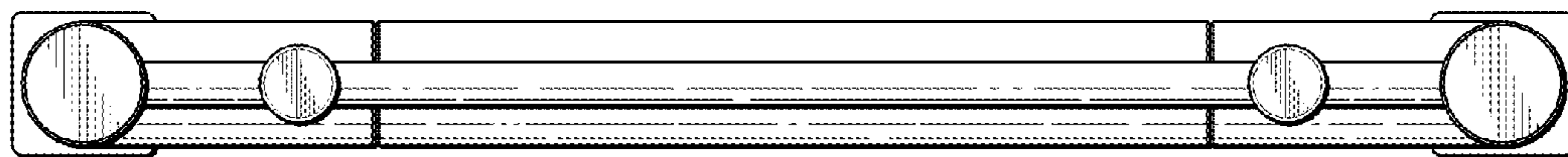


FIG. 6

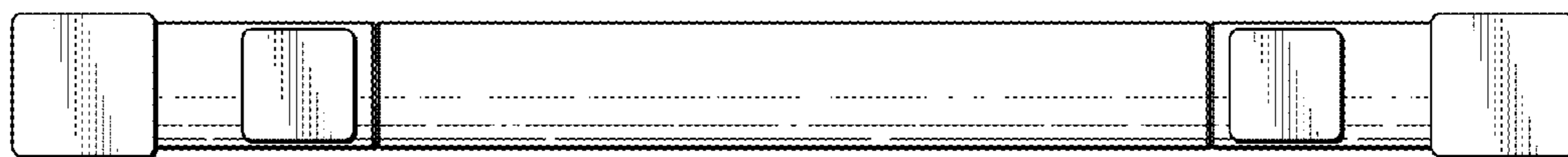


FIG. 7