



US00D683471S

(12) **United States Design Patent**  
**Mukith et al.**

(10) **Patent No.:** **US D683,471 S**

(45) **Date of Patent:** **\*\* May 28, 2013**

(54) **TRAFFIC BARRIER**

(75) Inventors: **Abdul Mukith**, Halifax (GB); **Luke Smith**, Halifax (GB)

(73) Assignee: **A-Fax Limited**, West Yorkshire (GB)

(\*\*) Term: **14 Years**

(21) Appl. No.: **29/428,348**

(22) Filed: **Jul. 30, 2012**

(30) **Foreign Application Priority Data**

Jan. 30, 2012 (EM) ..... 001983339-0008

(51) **LOC (9) Cl.** ..... **25-02**

(52) **U.S. Cl.**  
USPC ..... **D25/38.1**

(58) **Field of Classification Search**  
USPC ..... D25/38.1, 43, 58; 256/13.1, 19, 25,  
256/59, 65.02, 65.11, 65.14; 404/6, 9  
See application file for complete search history.

(56) **References Cited**

**U.S. PATENT DOCUMENTS**

4,722,513	A *	2/1988	Gaillard et al.	.....	256/13.1
D305,066	S *	12/1989	Humphrey	.....	D25/38.1
D333,873	S *	3/1993	McCue	.....	D25/38.1
6,142,701	A *	11/2000	Falcon	.....	404/6
6,155,744	A *	12/2000	Namanny	.....	404/1
D462,126	S *	8/2002	Englund	.....	D25/38.1

D500,859	S *	1/2005	Dehart	.....	D25/58
2005/0035341	A1 *	2/2005	Montgomery	.....	256/65.11
2005/0189532	A1 *	9/2005	Gasaway et al.	.....	256/65.11
2007/0228352	A1 *	10/2007	Higgs	.....	256/59

\* cited by examiner

*Primary Examiner* — Doris Clark

(74) *Attorney, Agent, or Firm* — Oliff & Berridge, PLC

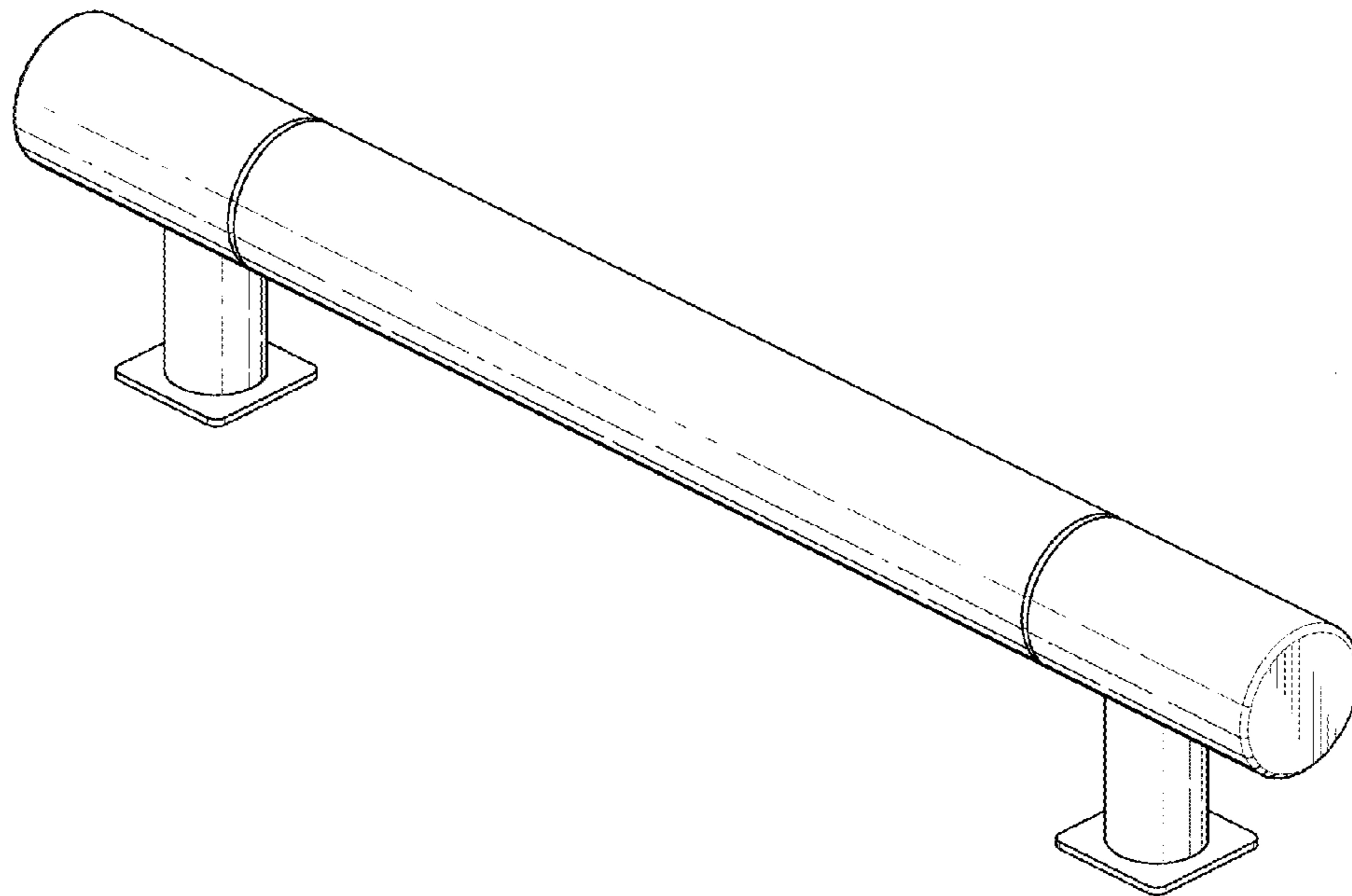
(57) **CLAIM**

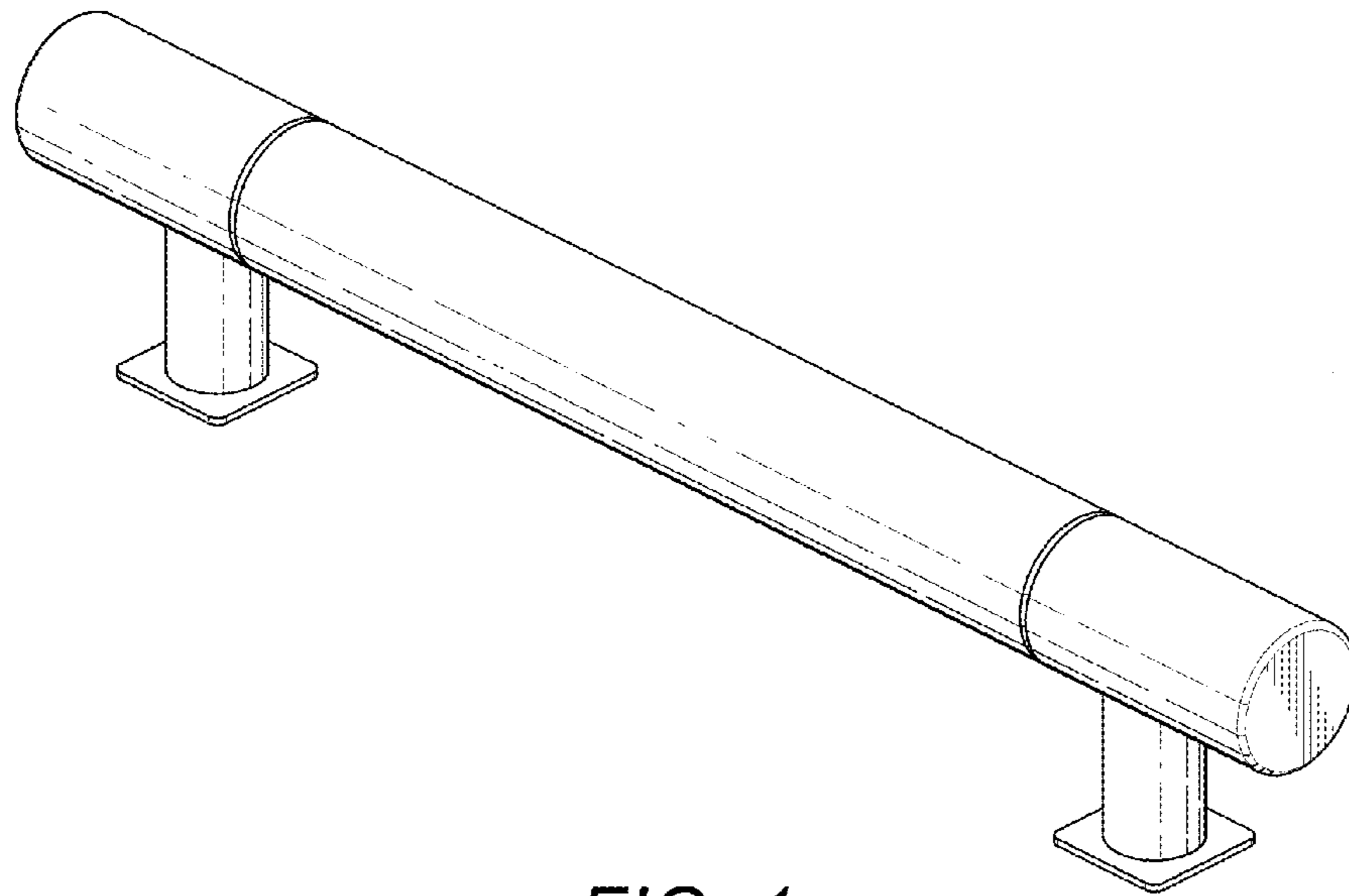
The ornamental design for a traffic barrier, as shown and described.

**DESCRIPTION**

FIG. 1 is a perspective view of a traffic barrier;  
 FIG. 2 is a front view thereof;  
 FIG. 3 is a rear view thereof;  
 FIG. 4 is a right-side view thereof;  
 FIG. 5 is a left-side view thereof;  
 FIG. 6 is a top view thereof;  
 FIG. 7 is a bottom view thereof;  
 FIG. 8 is a perspective view of a second embodiment of the traffic barrier shown in FIG. 1;  
 FIG. 9 is a front view thereof;  
 FIG. 10 is a rear view thereof;  
 FIG. 11 is a right-side view thereof;  
 FIG. 12 is a left-side view thereof;  
 FIG. 13 is a top view thereof; and,  
 FIG. 14 is a bottom view thereof.

**1 Claim, 6 Drawing Sheets**





*FIG. 1*

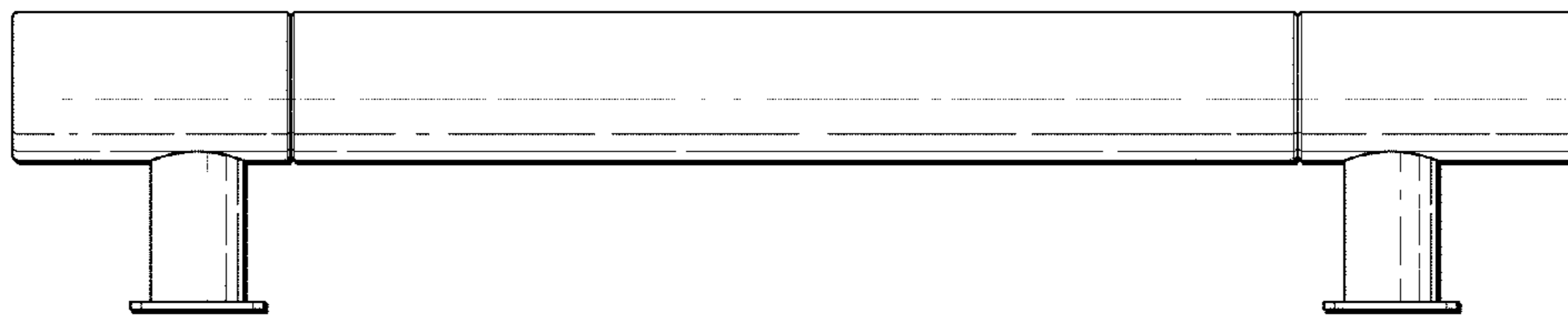


FIG. 2

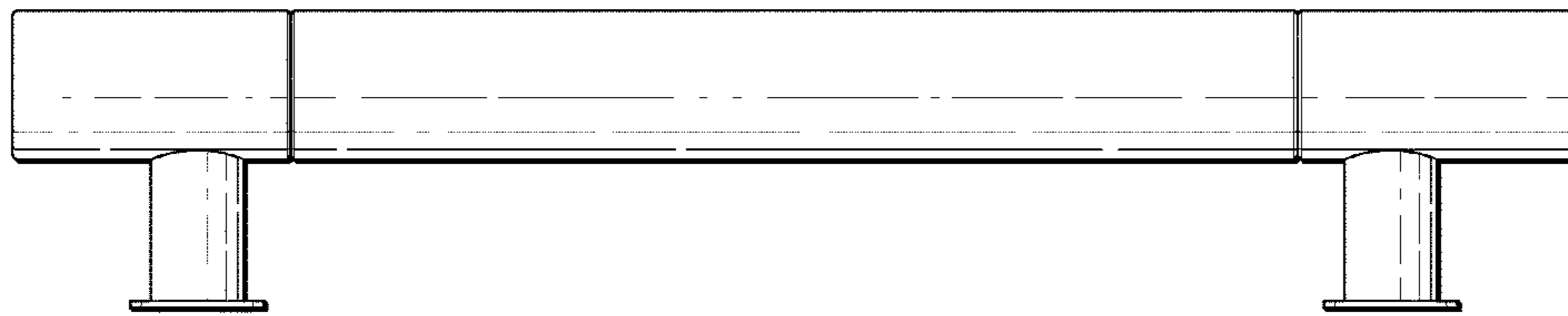


FIG. 3

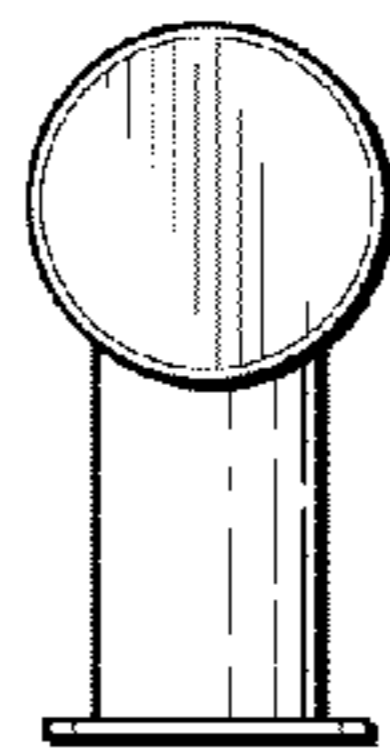


FIG. 4

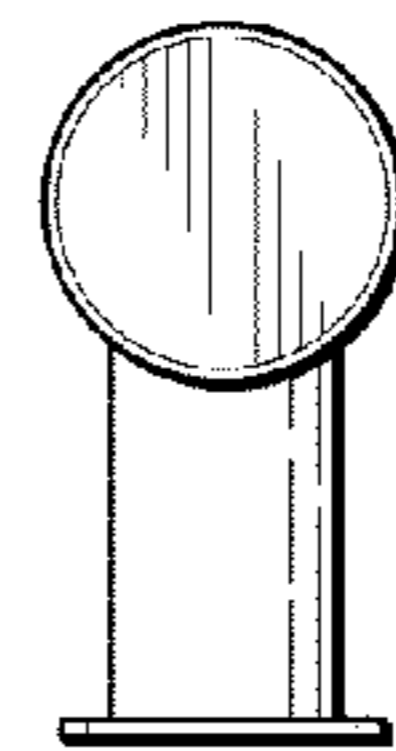
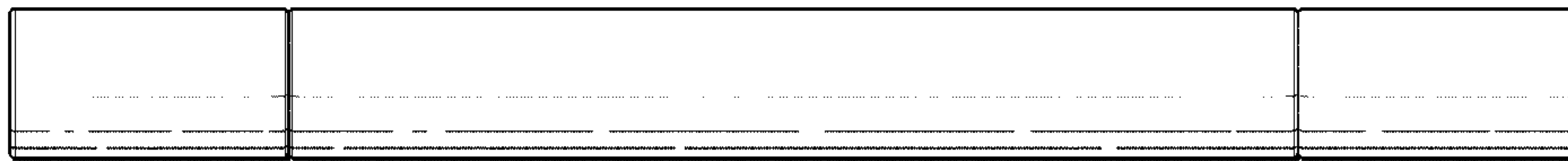
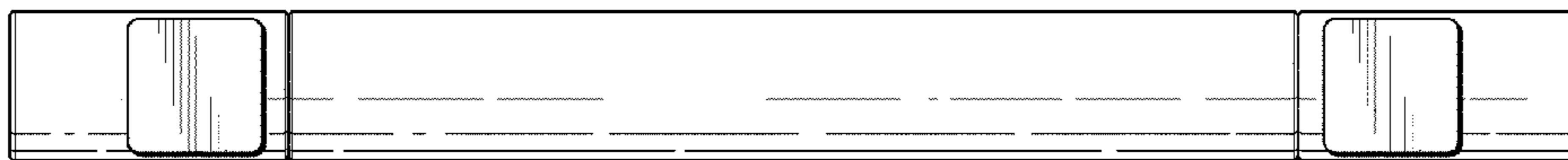


FIG. 5



*FIG. 6*



*FIG. 7*

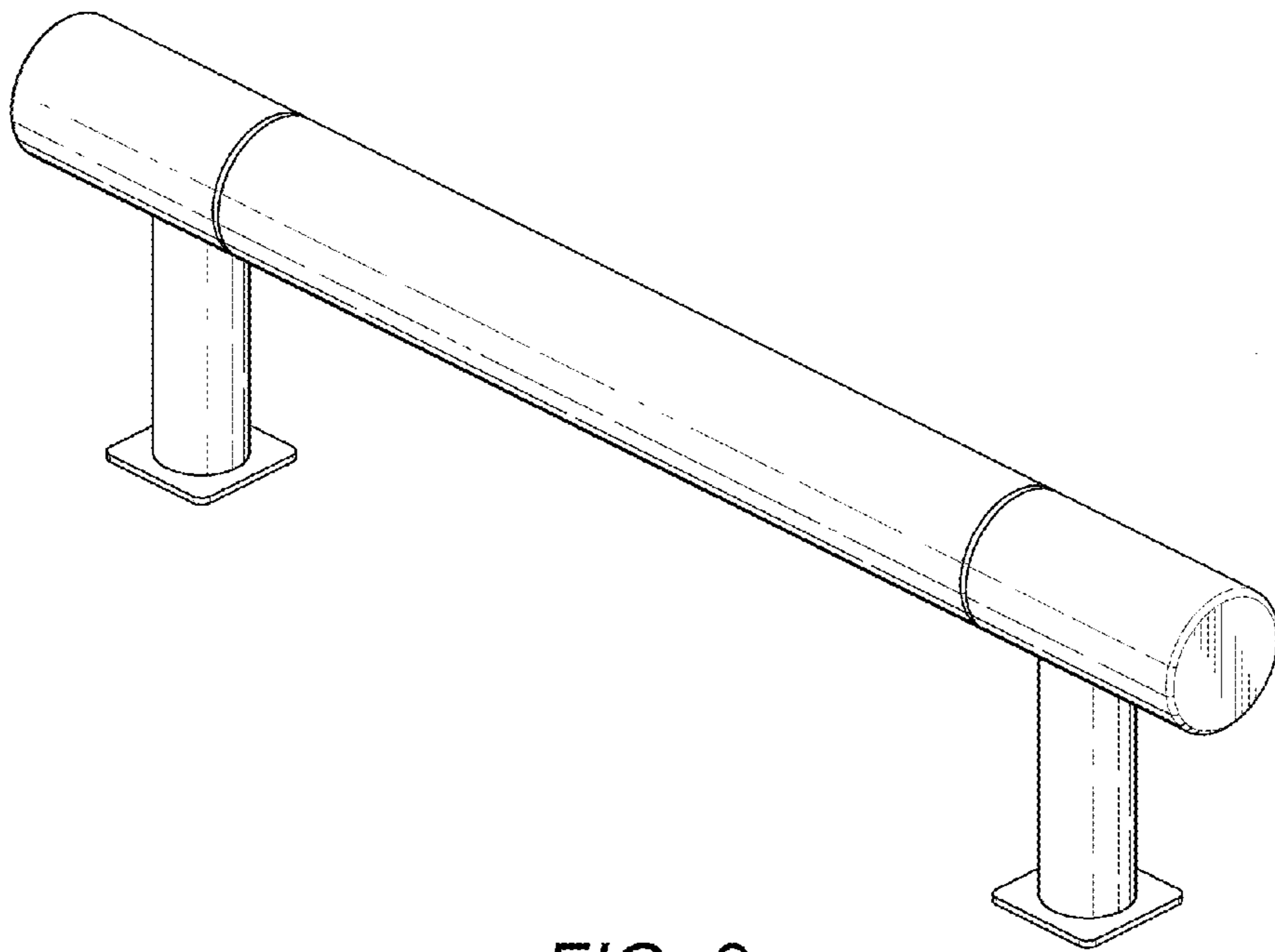
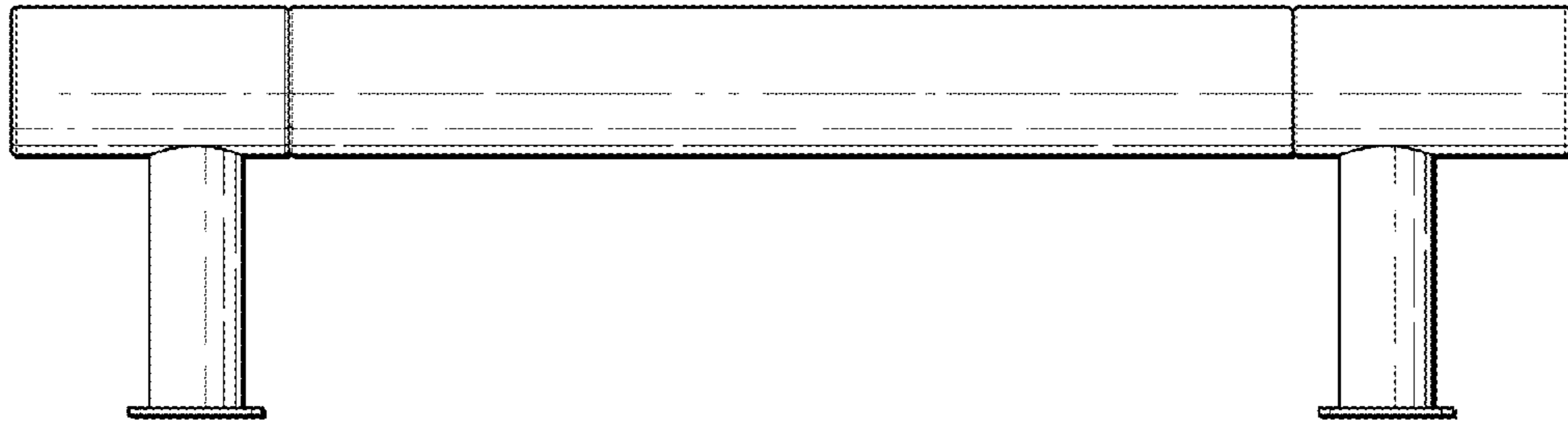
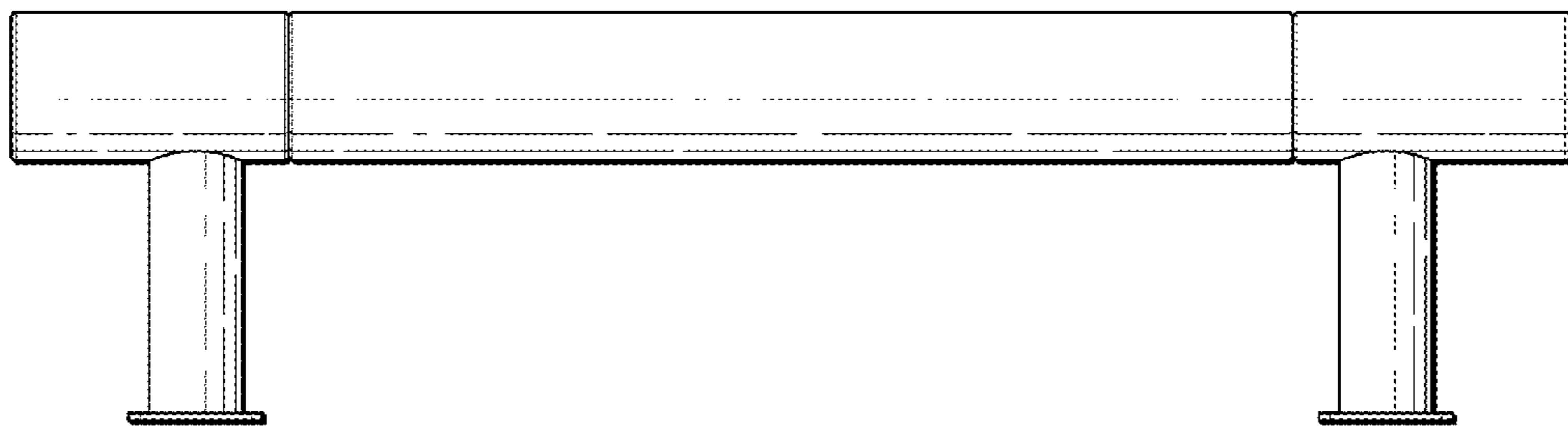


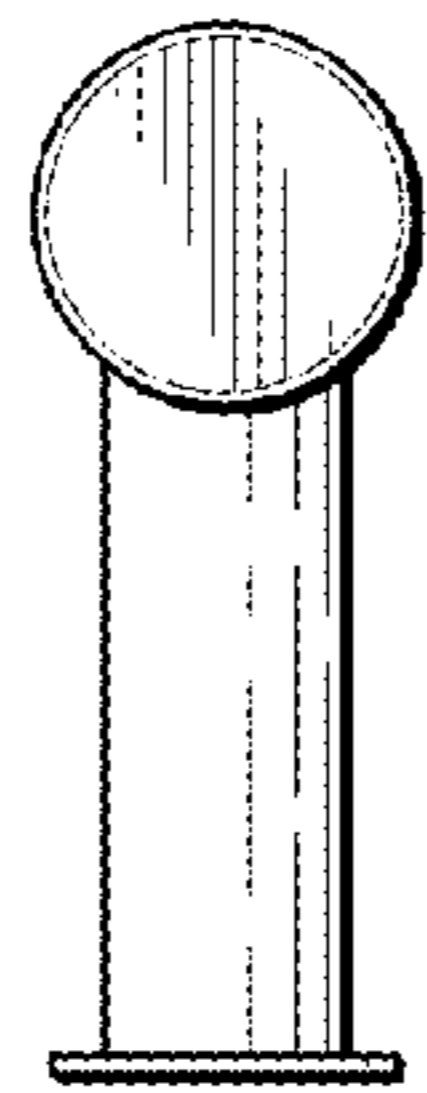
FIG. 8



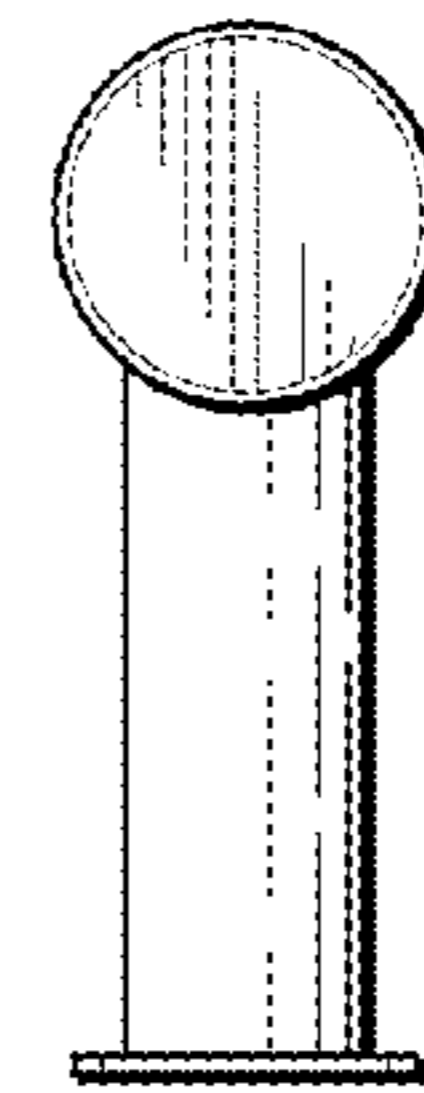
*FIG. 9*



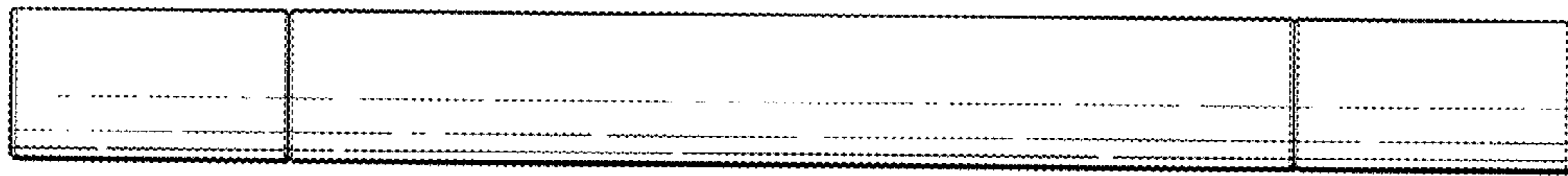
*FIG. 10*



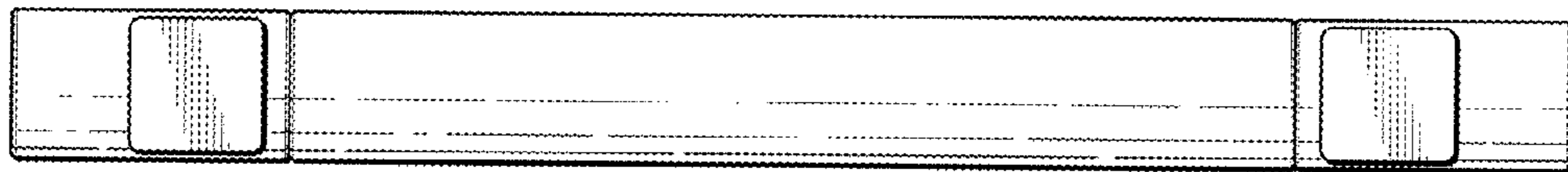
*FIG. 11*



*FIG. 12*



*FIG. 13*



*FIG. 14*