



US00D683468S

(12) **United States Design Patent**
Gill

(10) **Patent No.:** **US D683,468 S**

(45) **Date of Patent:** **** May 28, 2013**

(54) **SWIMMING POOL**

(71) Applicant: **Ashley John Gill**, Seguin, TX (US)

(72) Inventor: **Ashley John Gill**, Seguin, TX (US)

(73) Assignee: **Leisure Pool International Limited**,
Marsa (MT)

(**) Term: **14 Years**

(21) Appl. No.: **29/434,973**

(22) Filed: **Oct. 18, 2012**

Related U.S. Application Data

(63) Continuation of application No. 29/407,522, filed on
Nov. 30, 2011, now abandoned.

(51) **LOC (9) Cl.** **25-03**

(52) **U.S. Cl.**
USPC **D25/2**

(58) **Field of Classification Search**
USPC D25/2; D24/201, 205; 4/488, 506
See application file for complete search history.

(56) **References Cited**

U.S. PATENT DOCUMENTS

D273,229 S * 3/1984 Lippe et al. D25/2
5,790,990 A * 8/1998 Hall 4/488

D417,286 S * 11/1999 Sullivan D25/2
D460,195 S * 7/2002 Sullivan D25/2
D510,630 S * 10/2005 Sullivan D25/2
D608,902 S * 1/2010 Gill et al. D25/2
D660,442 S * 5/2012 Sullivan D24/201
2013/0014321 A1 * 1/2013 Sullivan 4/506

* cited by examiner

Primary Examiner — T. Chase Nelson

Assistant Examiner — Kathleen M Sims

(74) *Attorney, Agent, or Firm* — Cox Smith Matthews
Incorporated

(57) **CLAIM**

I claim the ornamental design for a swimming pool, as shown
and described.

DESCRIPTION

FIG. 1 is a perspective view of a swimming pool taken from
the front, top and left;

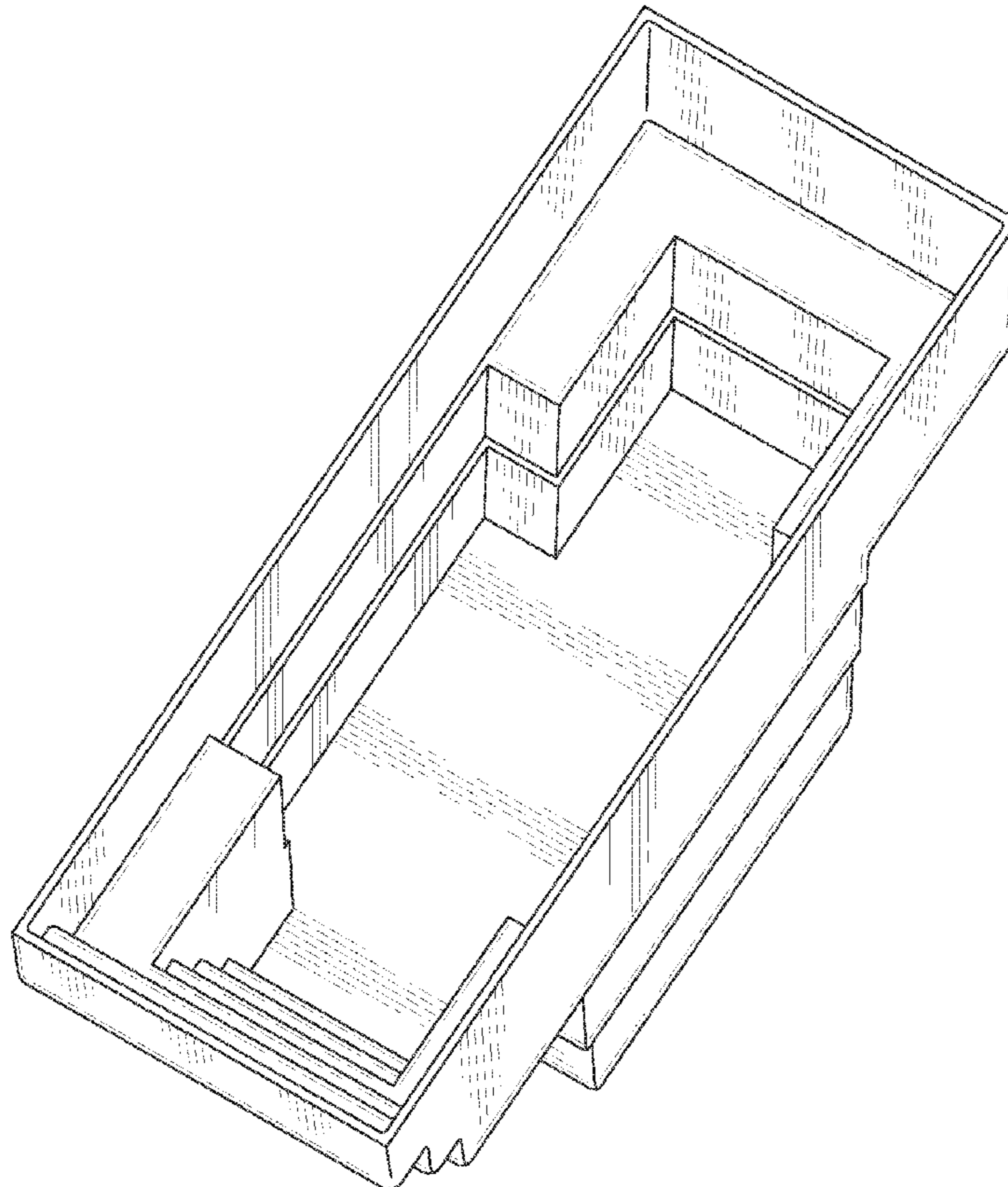
FIG. 2 is a perspective view thereof taken from the rear, top
and right;

FIG. 3 is a top plan view thereof;

FIG. 4 is a right side sectional view taken along the lines 4-4
in FIG. 3; and,

FIG. 5 is a left side sectional view taken along the lines 5-5 in
FIG. 3.

1 Claim, 4 Drawing Sheets



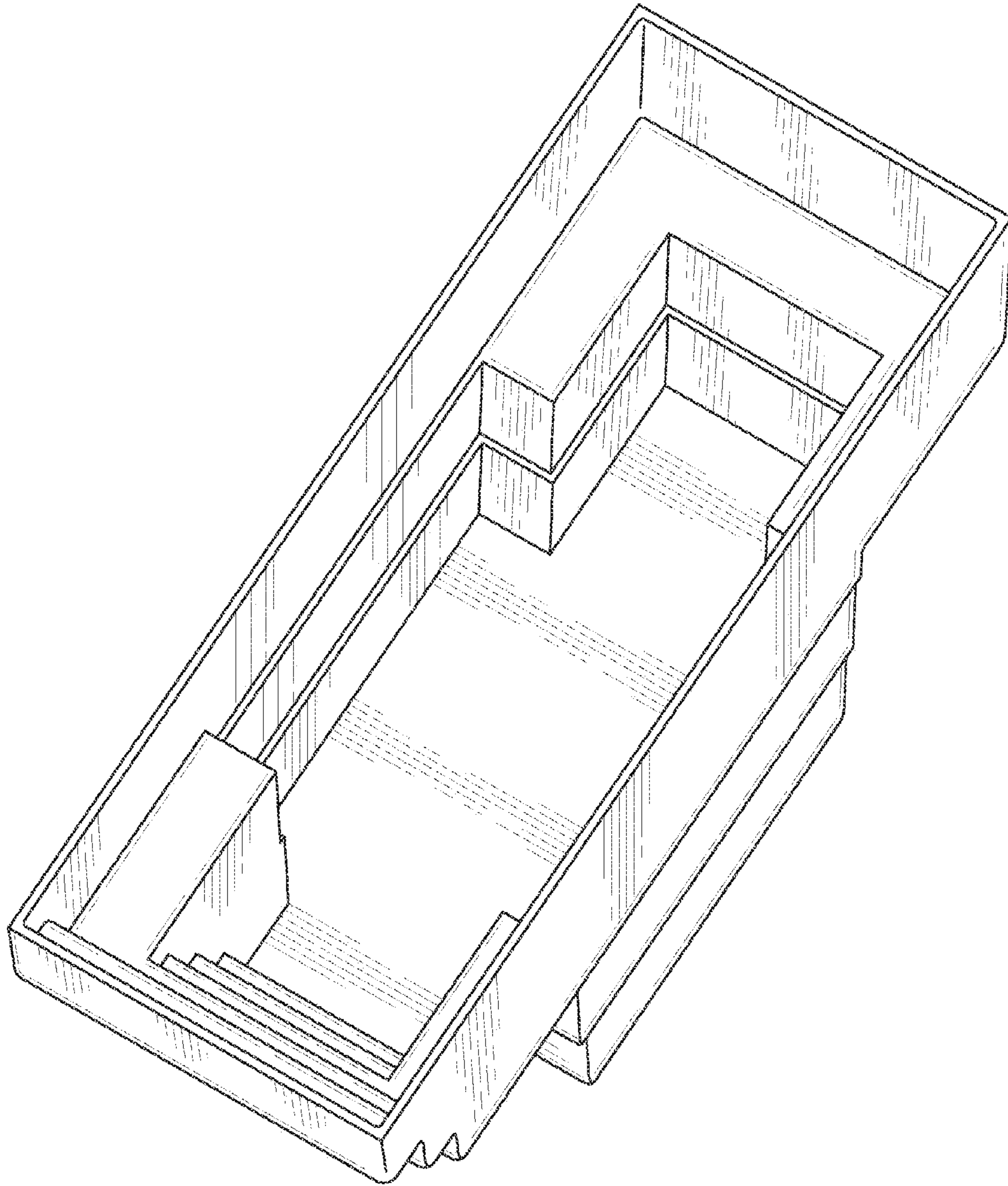


FIG. 1

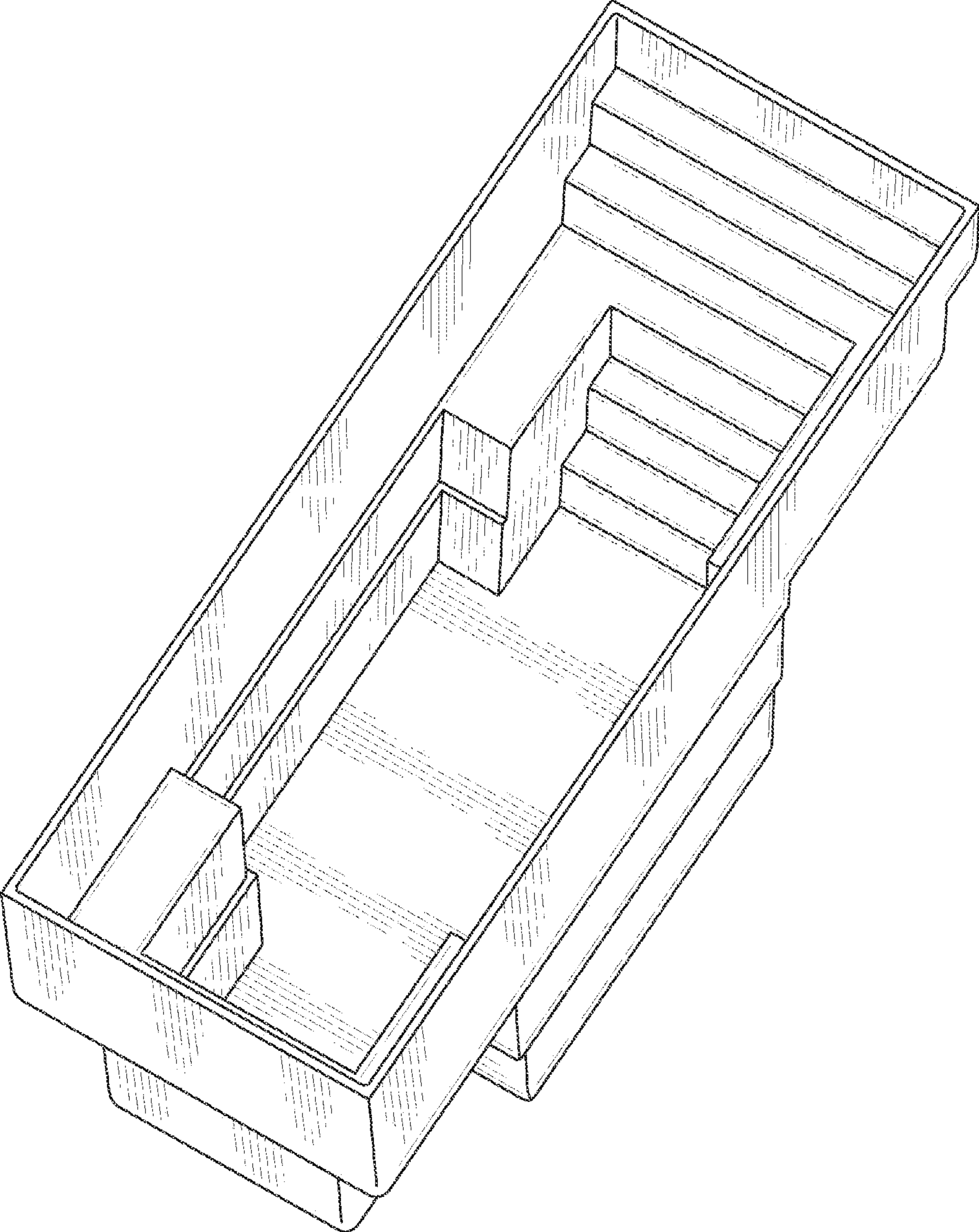


FIG. 2

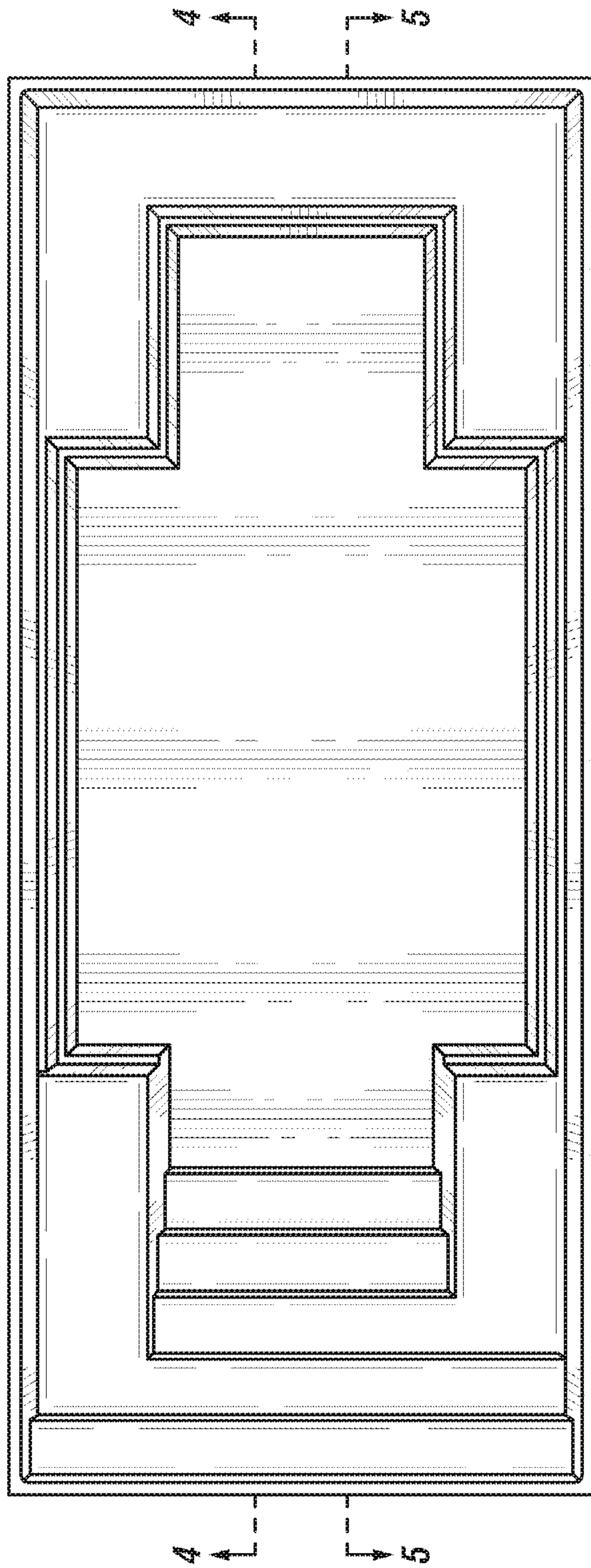


FIG. 3

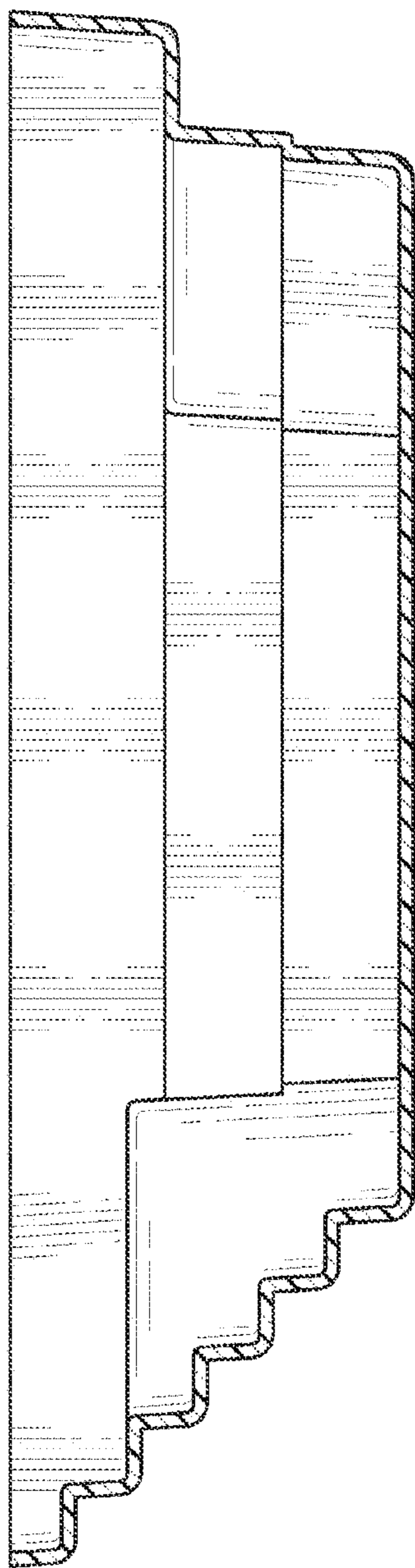


FIG. 4

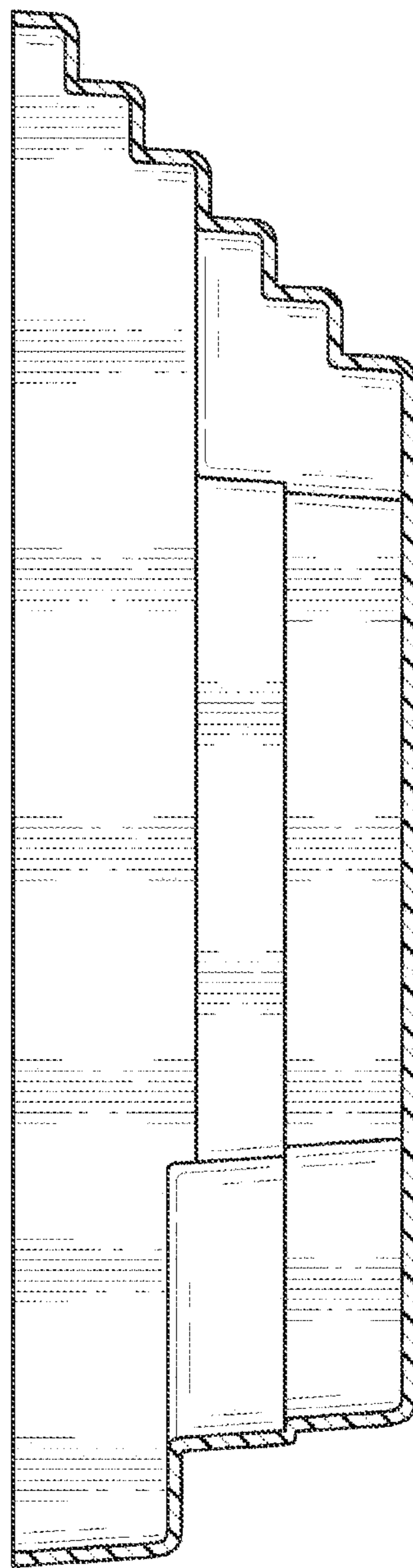


FIG. 5

UNITED STATES PATENT AND TRADEMARK OFFICE
CERTIFICATE OF CORRECTION

PATENT NO. : D683,468 S
APPLICATION NO. : 29/434973
DATED : May 28, 2013
INVENTOR(S) : Ashley John Gill

Page 1 of 1

It is certified that error appears in the above-identified patent and that said Letters Patent is hereby corrected as shown below:

On the Title Page, item [73], please amend "Pool" to --Pools--.

Signed and Sealed this
Ninth Day of July, 2013



Teresa Stanek Rea
Acting Director of the United States Patent and Trademark Office