



US00D683467S

(12) **United States Design Patent**
Jensen et al.

(10) **Patent No.:** **US D683,467 S**

(45) **Date of Patent:** **** May 28, 2013**

(54) **COUPLER FOR COUPLING A
3-DIMENSIONAL MODEL OF AN ITEM TO
AN ARTICULATING MEMBER**

(75) Inventors: **Søren Greve Jensen**, Vemmelev (DK);
Tais Clausen, Klagshamn (SE); **Sven
Nonboe**, Hillerød (DK)

(73) Assignee: **3Shape A/S**, København K (DK)

(**) Term: **14 Years**

(21) Appl. No.: **29/427,656**

(22) Filed: **Jul. 20, 2012**

(51) **LOC (9) Cl.** **24-01**

(52) **U.S. Cl.**
USPC **D24/227**; D24/181

(58) **Field of Classification Search**
USPC ... D24/108, 176-177, 181, 227-232; 433/37,
433/45-48, 71, 213-214; 128/859, 861-862
See application file for complete search history.

(56) **References Cited**

U.S. PATENT DOCUMENTS

| | | | | | |
|-----------|------|---------|------------------|-------|---------|
| 3,360,860 | A * | 1/1968 | Roland | | 433/45 |
| 4,867,680 | A * | 9/1989 | Hare et al. | | 433/71 |
| 5,076,785 | A * | 12/1991 | Tsai | | 433/46 |
| 5,336,086 | A * | 8/1994 | Simmen et al. | | 433/37 |
| 5,503,552 | A * | 4/1996 | Diesso | | 433/48 |
| D413,386 | S * | 8/1999 | Werrin | | D24/181 |
| 6,318,997 | B1 * | 11/2001 | Mayweather | | 433/77 |
| 6,394,802 | B1 * | 5/2002 | Hahn | | 433/37 |
| 6,468,078 | B2 * | 10/2002 | Guillaume et al. | | 433/45 |
| 6,786,722 | B2 * | 9/2004 | Craig et al. | | 433/213 |

| | | | | | |
|--------------|------|---------|-------------------|-------|---------|
| 6,848,905 | B2 * | 2/2005 | Jacobs et al. | | 433/37 |
| 6,945,778 | B2 * | 9/2005 | Jacobs et al. | | 433/71 |
| D529,179 | S * | 9/2006 | Mak | | D24/181 |
| D565,185 | S * | 3/2008 | Wilkins | | D24/181 |
| D571,473 | S * | 6/2008 | Wilkins | | D24/181 |
| D582,559 | S * | 12/2008 | Khawaled et al. | | D24/181 |
| 7,690,918 | B2 * | 4/2010 | Ho et al. | | 433/214 |
| D631,550 | S * | 1/2011 | Massad | | D24/181 |
| 7,871,269 | B2 * | 1/2011 | Wu et al. | | 433/214 |
| D632,395 | S * | 2/2011 | Massad | | D24/181 |
| 2001/0010898 | A1 * | 8/2001 | Joergensen et al. | | 433/45 |

* cited by examiner

Primary Examiner — T. Chase Nelson

Assistant Examiner — Mark Cavanna

(74) *Attorney, Agent, or Firm* — Brinks Hofer Gilson & Lione

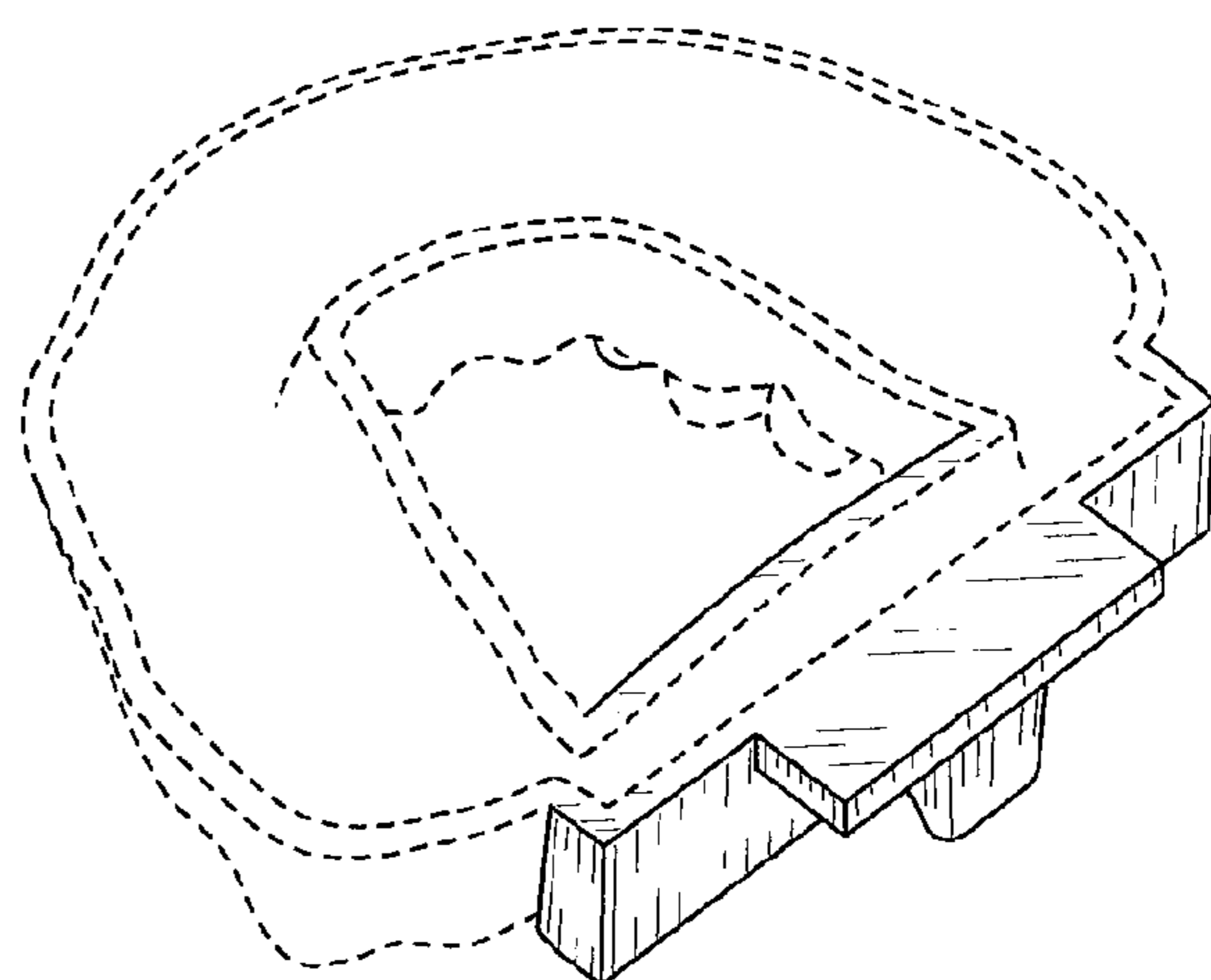
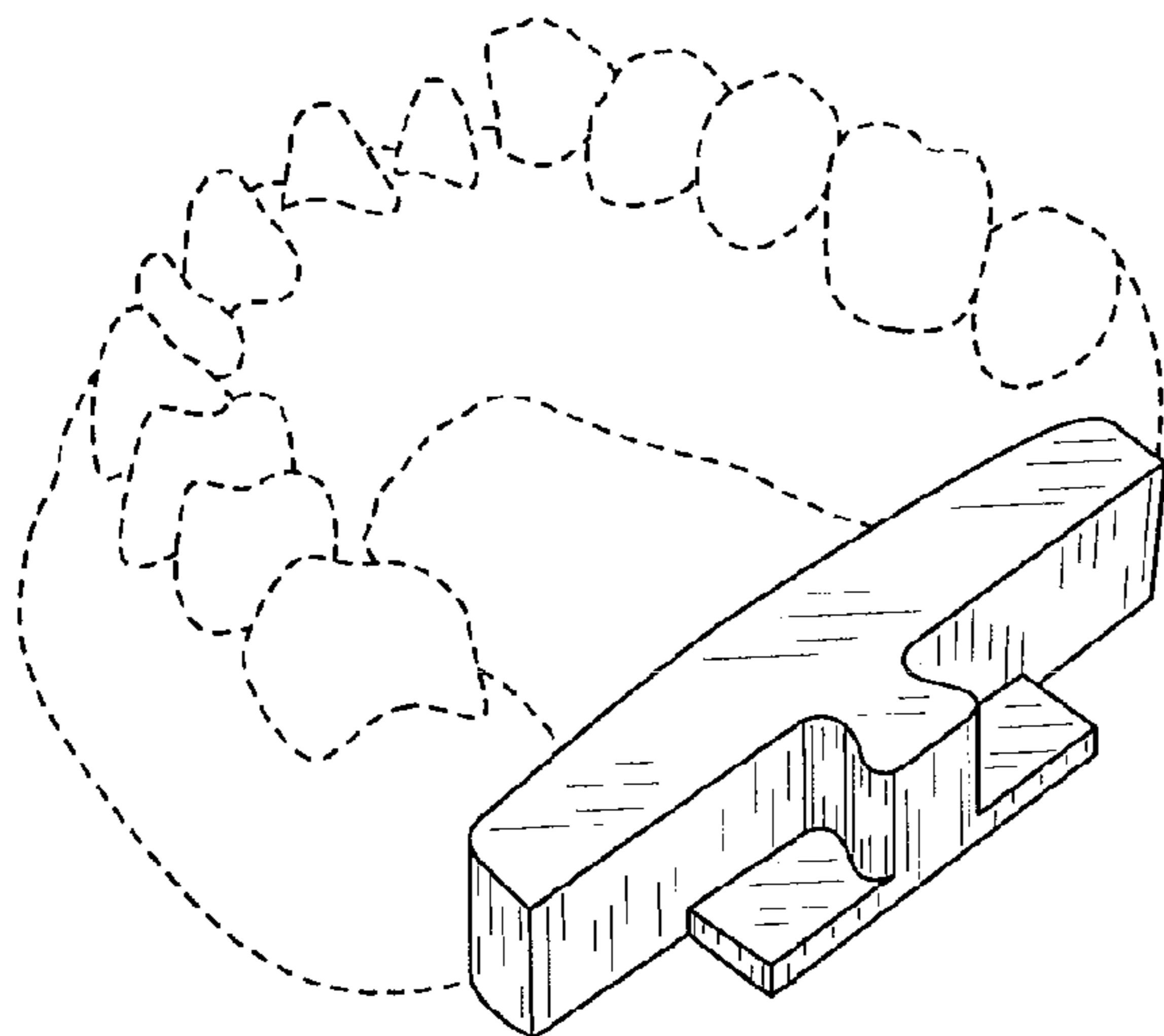
(57) **CLAIM**

We claim the ornamental design for a coupler for coupling a 3-dimensional model of an item to an articulating member, as shown and described.

DESCRIPTION

FIG. 1 is a first perspective view of the coupler showing a first exemplary embodiment of our new design;
FIG. 2 is a second perspective view, thereof;
FIG. 3 is a top view, thereof;
FIG. 4 is a bottom view, thereof;
FIG. 5 is a rear side view, thereof;
FIG. 6 is a front side view, thereof;
FIG. 7 is a left side view, thereof; and,
FIG. 8 is a right side view, thereof.

1 Claim, 3 Drawing Sheets



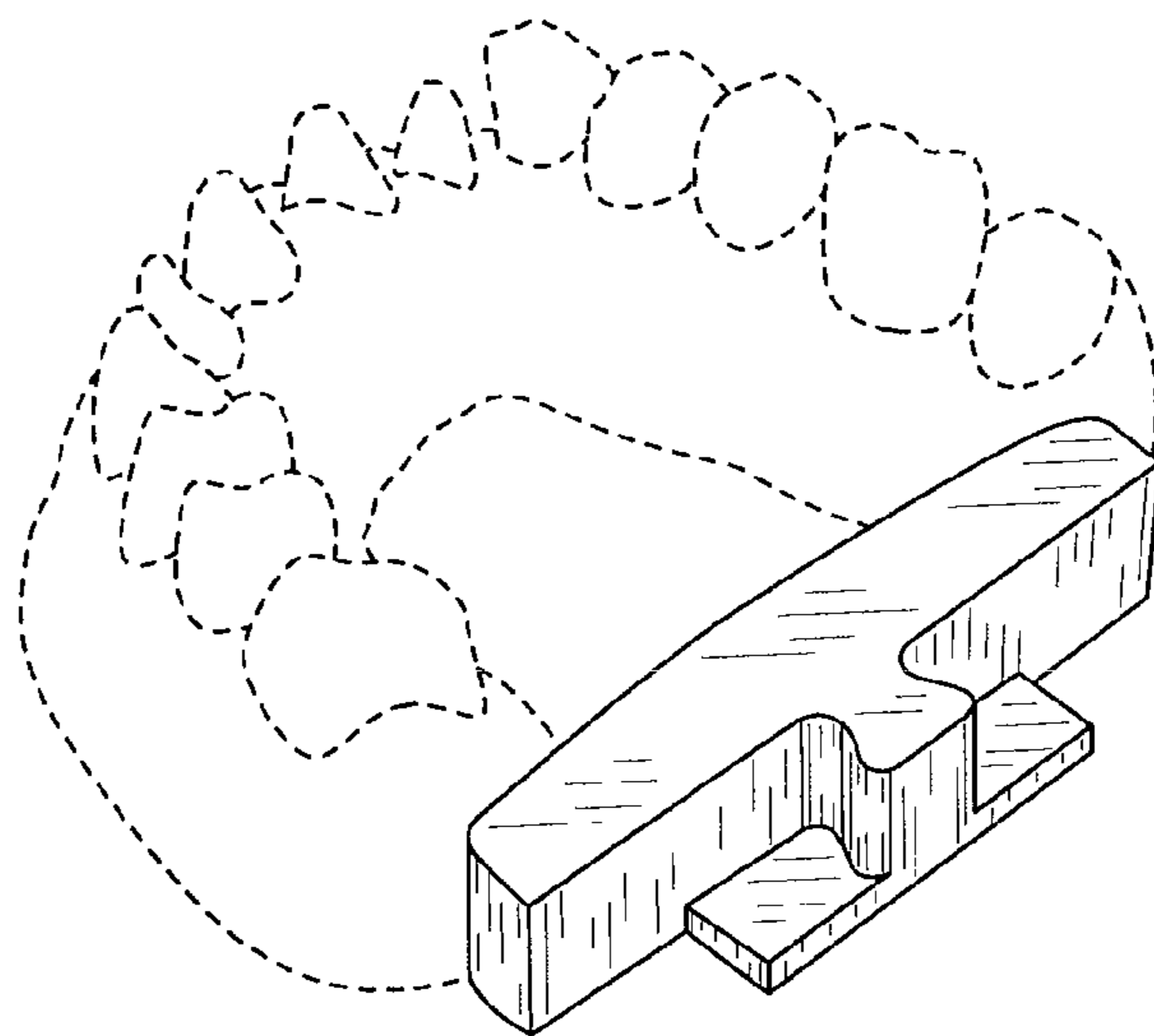


Fig. 1

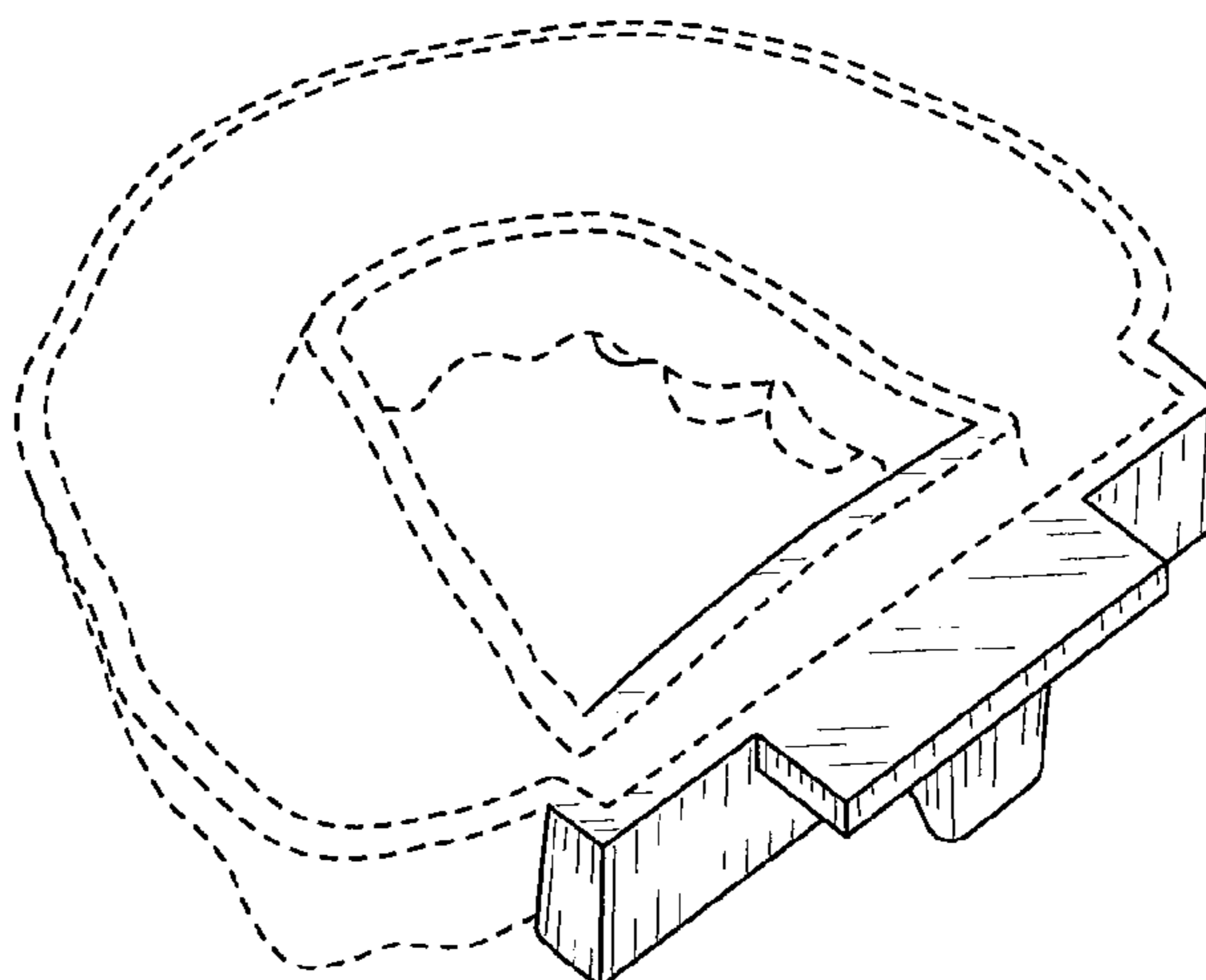


Fig. 2

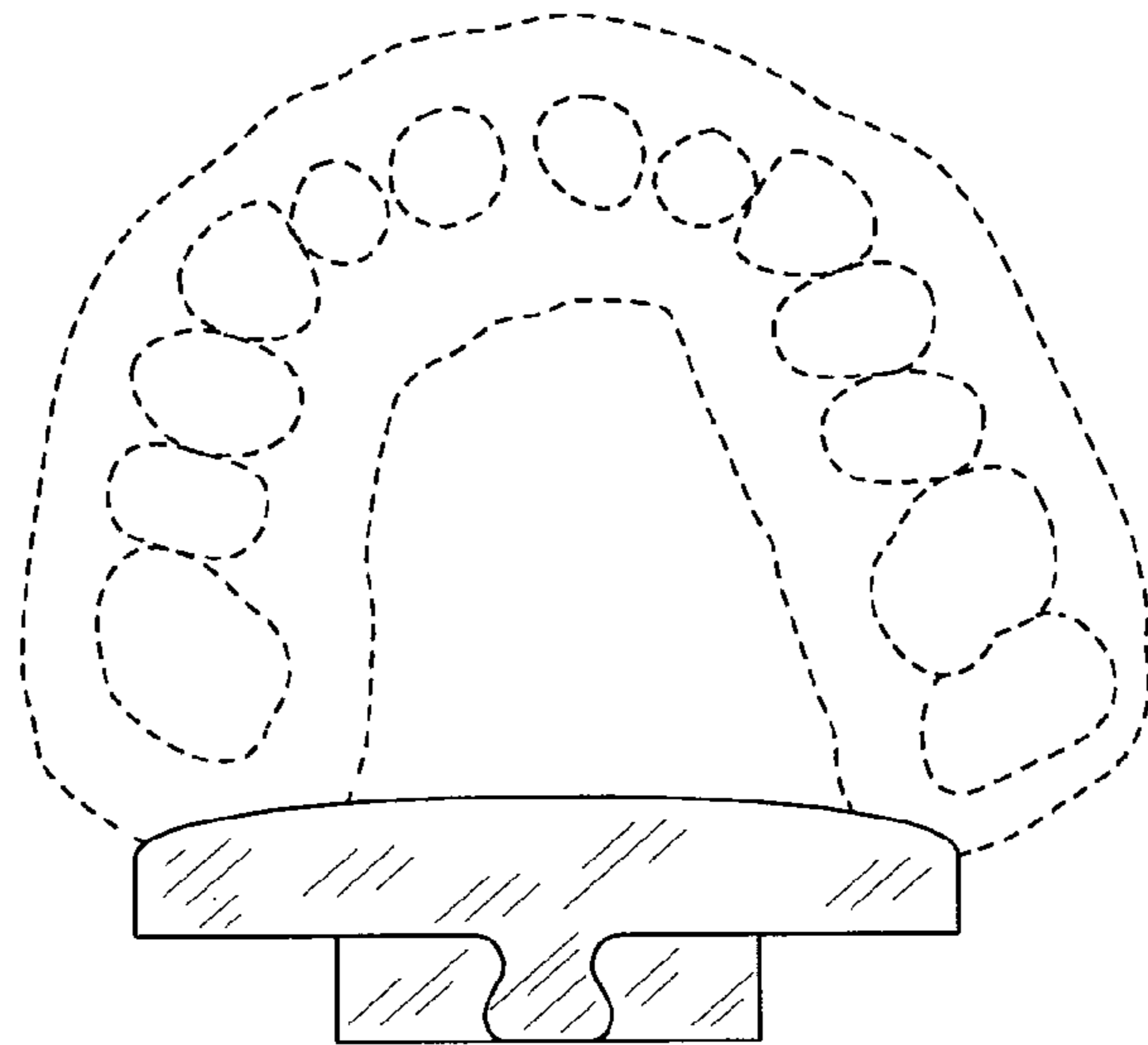


Fig. 3

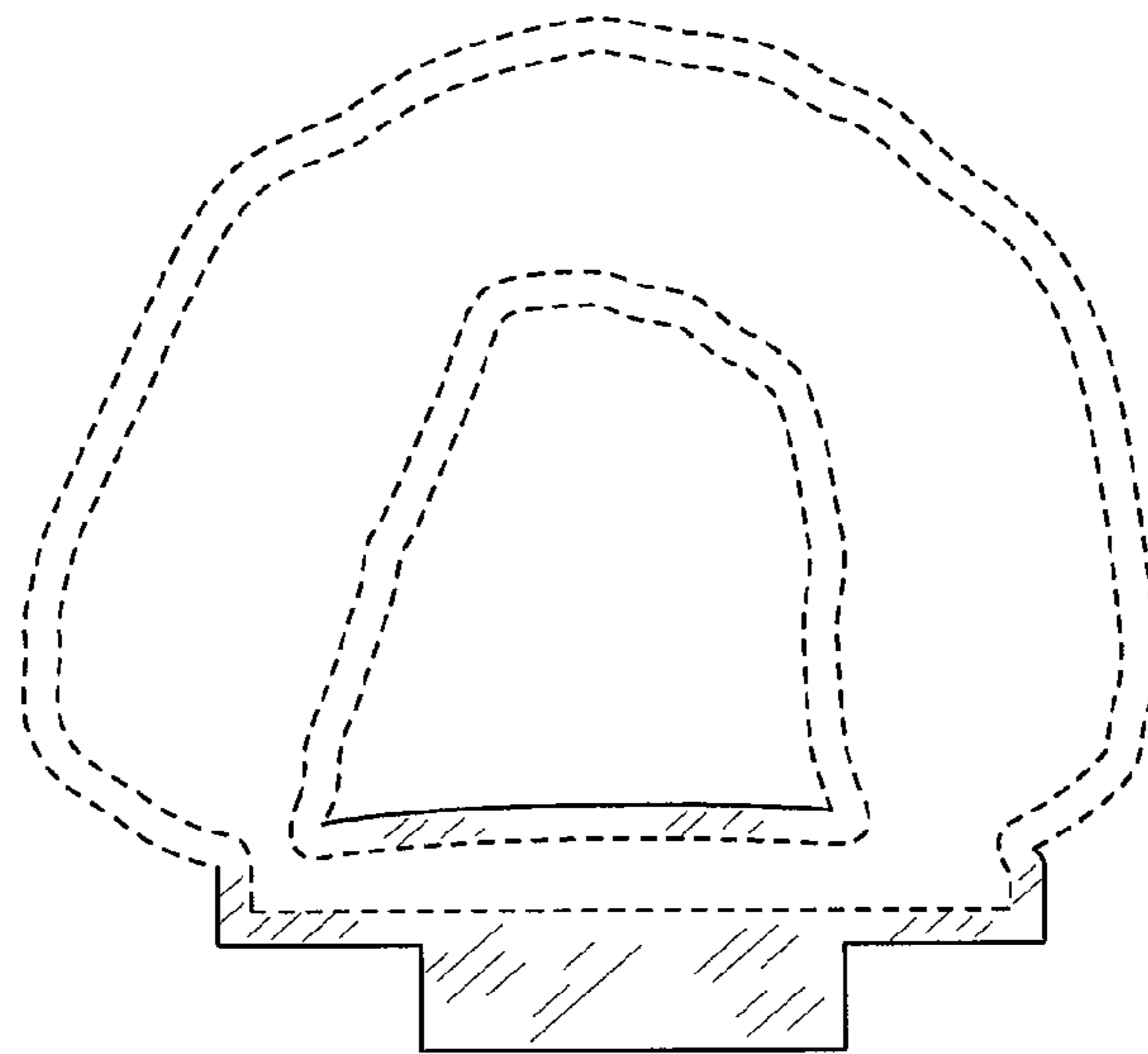


Fig. 4

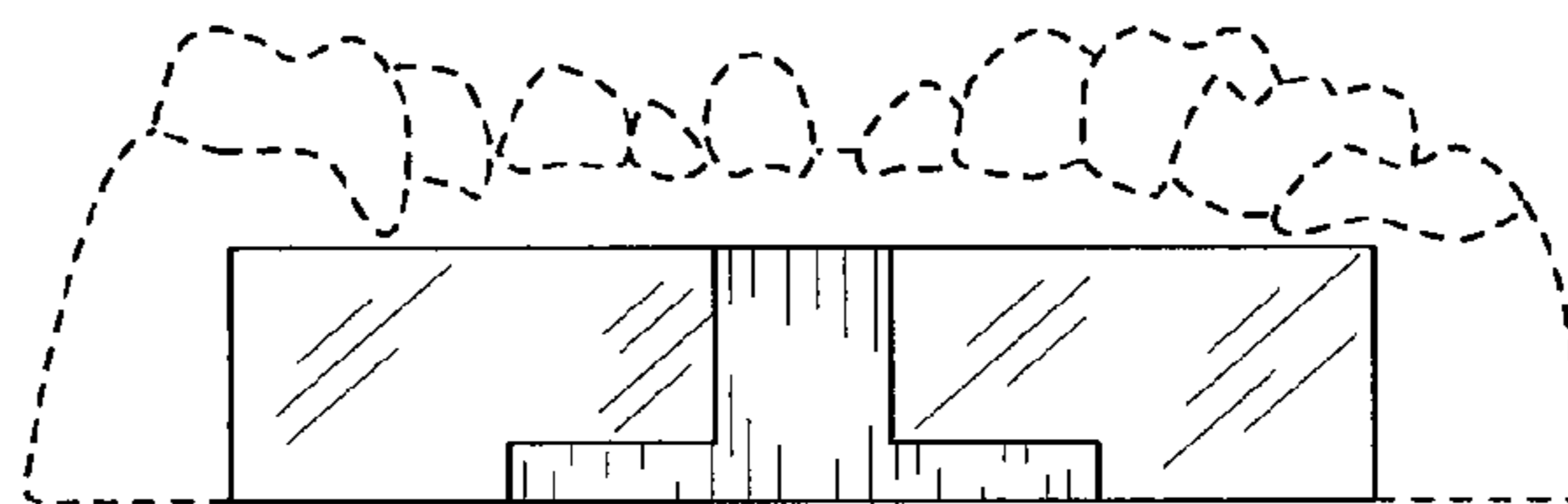


Fig. 5

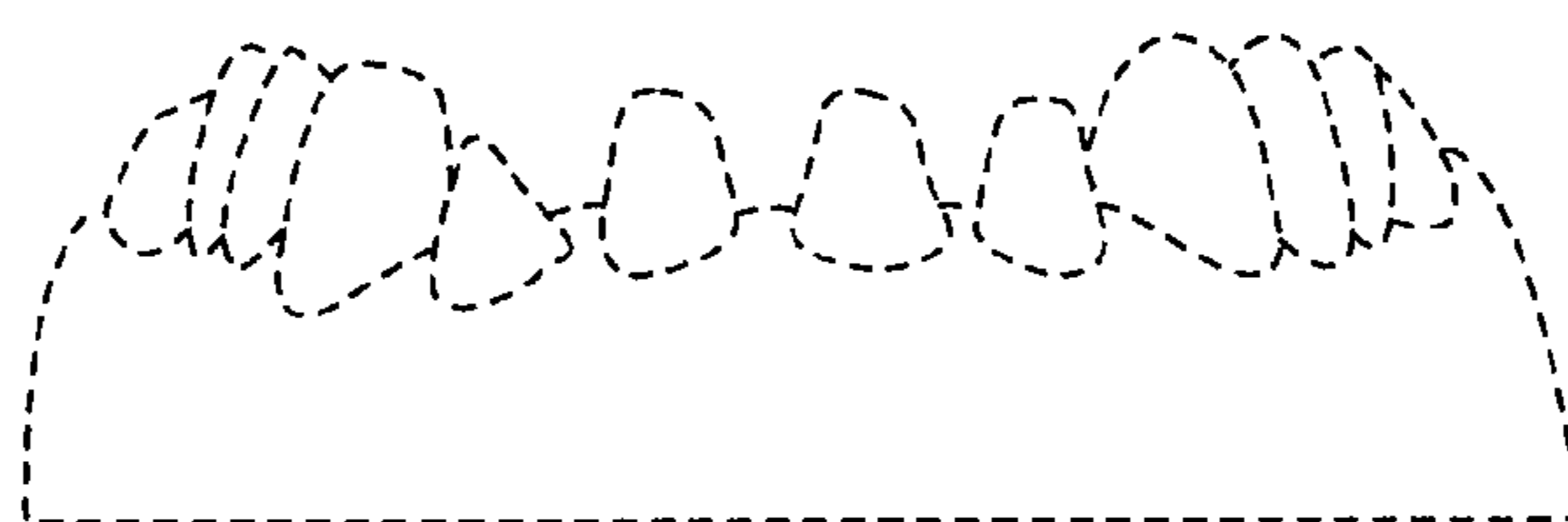


Fig. 6

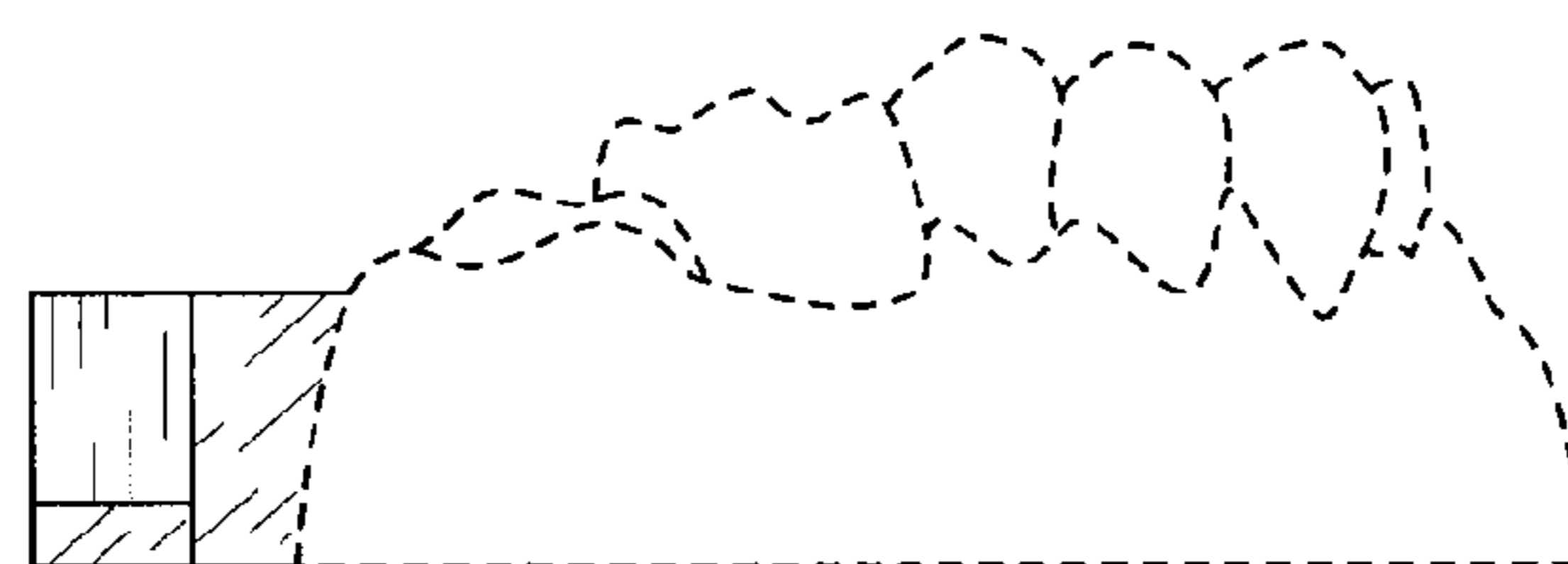


Fig. 7

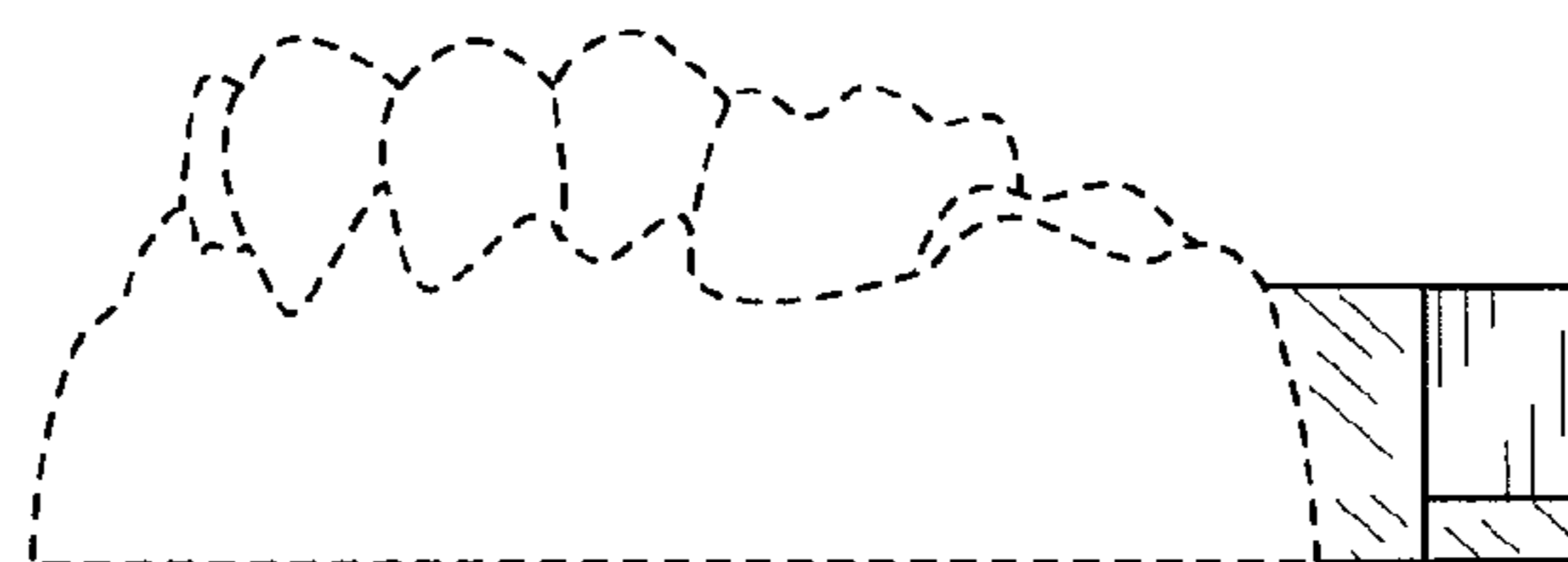


Fig. 8