



US00D683465S

(12) **United States Design Patent**  
**Forbes et al.**

(10) **Patent No.:** **US D683,465 S**  
(45) **Date of Patent:** **\*\* May 28, 2013**

(54) **PATELLA BUTTRESS**

3,789,842 A 2/1974 Froimson  
3,848,281 A \* 11/1974 Mathews ..... 5/636  
3,945,046 A 3/1976 Stromgren

(71) Applicant: **Ossur hf**, Reykjavik (IS)

(Continued)

(72) Inventors: **James Forbes**, Costa Mesa, CA (US);  
**Brice Roberston**, Sunnyvale, CA (US)

**FOREIGN PATENT DOCUMENTS**

(73) Assignee: **Ossur hf**, Reykjavik (IS)

CA 2 038 948 A1 2/1991  
DE 30 28 381 A1 2/1982

(Continued)

(\*\*) Term: **14 Years**

**OTHER PUBLICATIONS**

(21) Appl. No.: **29/435,118**

Partial Search Report issued in PCT/US2011/065749, Apr. 2, 2012, 2 pages.

(22) Filed: **Oct. 19, 2012**

(Continued)

**Related U.S. Application Data**

(63) Continuation-in-part of application No. 29/397,989, filed on Jul. 25, 2011.

*Primary Examiner* — Susan E Krakower

(51) **LOC (9) Cl.** ..... **24-01**

(74) *Attorney, Agent, or Firm* — Workman Nydegger

(52) **U.S. Cl.**

(57) **CLAIM**

USPC ..... **D24/190**

The ornamental design for a patella buttress, as shown and described.

(58) **Field of Classification Search**

**DESCRIPTION**

USPC ..... D24/147, 183–184, 188–190; D29/121.1; 602/3, 5, 6, 16, 21–23, 26, 60–64; 2/16, 22, 2/24; 128/869, 879, 892, DIG. 20; D2/961; D6/601

FIG. 1 is a front elevational view of a patella buttress showing our design.

See application file for complete search history.

FIG. 2 is a first side elevational view of the patella buttress of FIG. 1.

(56) **References Cited**

**U.S. PATENT DOCUMENTS**

116,236 A 12/1900 Gorse  
663,749 A 12/1900 Gorse  
940,585 A 11/1909 Drennan  
2,188,718 A 1/1940 Jung  
2,195,817 A \* 4/1940 Johnson ..... 2/24  
2,524,326 A 10/1950 Murphy  
3,046,981 A 7/1962 Biggs, Jr. et al.  
3,084,685 A 4/1963 Lewis  
3,406,406 A 10/1968 Lutz

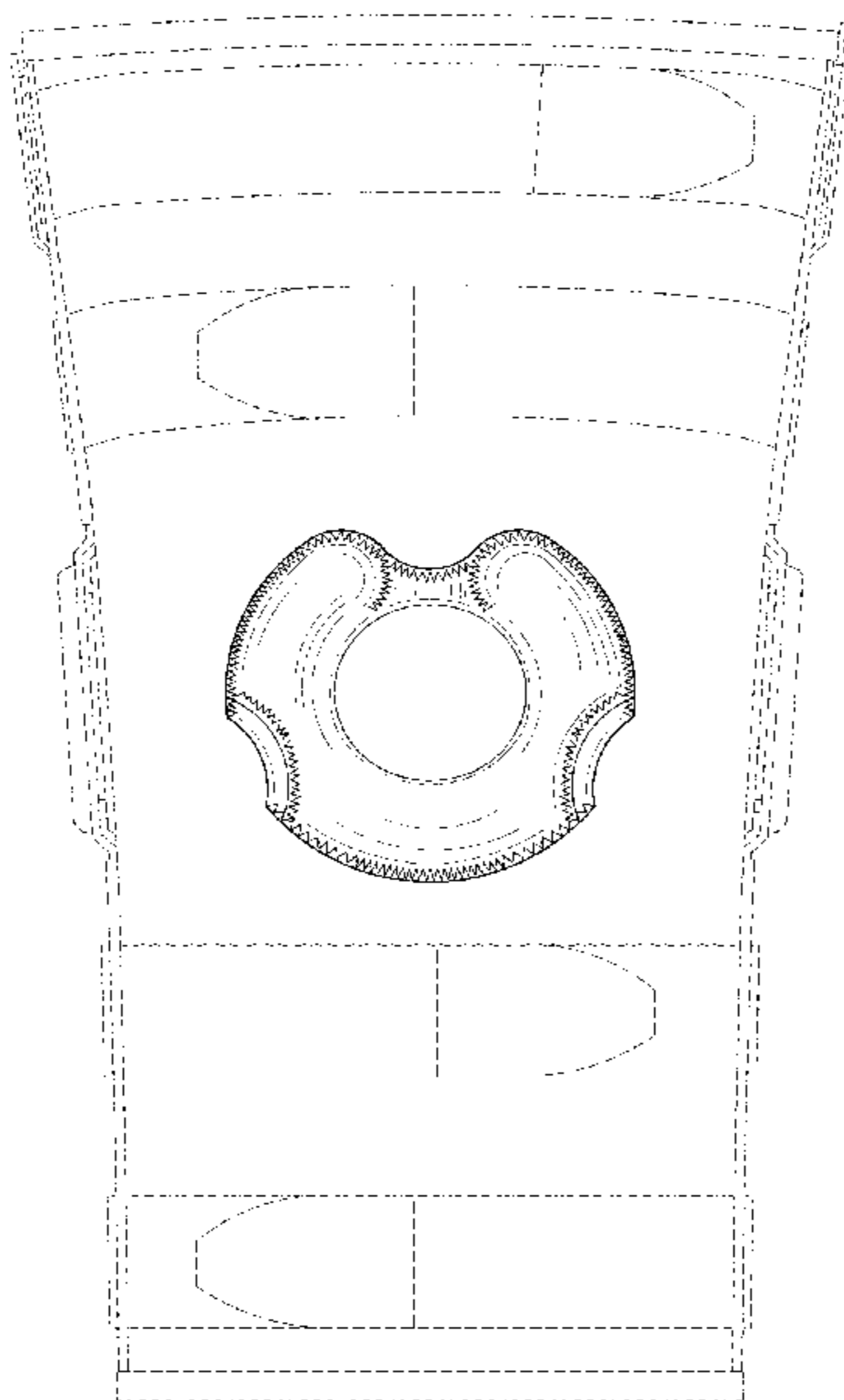
FIG. 3 is second side elevational view of the patella buttress of FIG. 1.

FIG. 4 is a top view of the patella buttress of FIG. 1.

FIG. 5 is a bottom view of the patella buttress of FIG. 1; and, FIG. 6 is a rear elevational view of the patella buttress of FIG. 1 which displays the patella buttress from the sectional view taken along line 6-6 in FIG. 4.

The broken lines are included for the purpose of illustrating environmental structure and form no part of the claimed design.

**1 Claim, 6 Drawing Sheets**



# US D683,465 S

Page 2

## U.S. PATENT DOCUMENTS

4,084,584	A	4/1978	Detty	
4,099,269	A	7/1978	Porner	
4,116,236	A	9/1978	Albert	
4,201,203	A	5/1980	Applegate	
D259,058	S	4/1981	Marshall	
4,287,885	A	9/1981	Applegate	
4,296,744	A	10/1981	Palumbo	
4,425,912	A	1/1984	Harper	
4,445,505	A	5/1984	Labour et al.	
4,474,573	A	10/1984	Detty	
4,479,272	A	10/1984	Beldzisky	
D284,436	S *	7/1986	Hodges .....	D6/601
4,607,628	A	8/1986	Dashefsky	
4,632,106	A	12/1986	Gamm	
4,822,371	A	4/1989	Jolly et al.	
4,870,956	A	10/1989	Fatool et al.	
4,908,037	A	3/1990	Ross	
4,941,462	A	7/1990	Lindberg	
5,024,216	A	6/1991	Shiono	
5,139,477	A	8/1992	Peters	
5,154,690	A	10/1992	Shiono	
5,168,577	A	12/1992	Detty	
5,263,923	A	11/1993	Fujimoto	
5,277,697	A	1/1994	France et al.	
5,334,135	A	8/1994	Grim et al.	
5,367,708	A	11/1994	Fujimoto	
5,382,223	A	1/1995	Springs	
5,399,153	A	3/1995	Caprio, Jr. et al.	
5,419,161	A	5/1995	Bodenschatz et al.	
5,462,517	A	10/1995	Mann	
5,474,524	A	12/1995	Carey	
5,527,268	A *	6/1996	Gildersleeve et al. ....	602/26
5,593,454	A	1/1997	Helmy	
5,603,122	A	2/1997	Kania	
5,643,185	A	7/1997	Watson et al.	
5,695,452	A	12/1997	Grim et al.	
5,711,029	A *	1/1998	Visco et al. ....	2/24
5,759,167	A	6/1998	Shields, Jr. et al.	
5,792,084	A	8/1998	Wilson et al.	
5,823,981	A	10/1998	Grim et al.	
5,865,166	A	2/1999	Fitzpatrick et al.	
5,865,776	A	2/1999	Springs	
5,865,777	A	2/1999	Detty	
D406,677	S	3/1999	Koschmann et al.	
D412,082	S *	7/1999	Goodrich .....	D6/601
5,925,101	A	7/1999	Caprio, Jr.	
5,944,682	A	8/1999	Milana-Panopoulos	
6,063,048	A	5/2000	Schlomski	

6,080,121	A	6/2000	Madow et al.	
6,149,690	A	11/2000	Belzidsky	
D444,563	S	7/2001	Rodgers	
D448,084	S	9/2001	Hopwood et al.	
6,287,269	B1	9/2001	Osti et al.	
D451,198	S	11/2001	Lamping et al.	
6,551,264	B1	4/2003	Cawley et al.	
6,592,539	B1	7/2003	Einarsson et al.	
D481,175	S *	10/2003	Keen, Sr. ....	D29/121.1
7,004,919	B2	2/2006	Gaylord et al.	
7,060,045	B2	6/2006	Mason et al.	
7,083,586	B2	8/2006	Simmons et al.	
7,273,464	B2	9/2007	Reinhardt	
D580,640	S *	11/2008	Wurzburg .....	D2/961
D618,358	S	6/2010	Avitable et al.	
7,749,181	B2	7/2010	Simmons et al.	
7,819,830	B2	10/2010	Sindel et al.	
D628,696	S *	12/2010	Robertson .....	D24/147
7,862,528	B2	1/2011	Scott	
7,867,183	B2	1/2011	Kazmierczak et al.	
7,959,590	B2	6/2011	Scott	
2001/0007929	A1	7/2001	Schlomski	
2003/0083605	A1	5/2003	Edmund	
2006/0041213	A1 *	2/2006	Reinhardt .....	602/60
2006/0069337	A1	3/2006	Livolsi et al.	
2006/0094999	A1	5/2006	Cropper	
2008/0139985	A1	6/2008	Gilmour	
2008/0300524	A1	12/2008	Scott	
2009/0131844	A1	5/2009	Dean et al.	
2009/0312681	A1	12/2009	McSpadden et al.	
2011/0137220	A1	6/2011	Vollbrecht et al.	
2012/0165714	A1 *	6/2012	Forbes et al. ....	602/26

## FOREIGN PATENT DOCUMENTS

DE	34 16 231	A1	11/1985
DE	35 19 677	A1	12/1986
EP	0 498 062	A1	8/1992
EP	0 835 645	A1	4/1998
EP	1 114 630	A1	7/2001
FR	2 606 998	A1	5/1988
WO	81/01240	A1	5/1981
WO	91/01704	A1	2/1991
WO	2006/073353	A1	7/2006

## OTHER PUBLICATIONS

Ossur Orthopedics Catalog 2009, pp. 1, 41-47 and 100.

\* cited by examiner

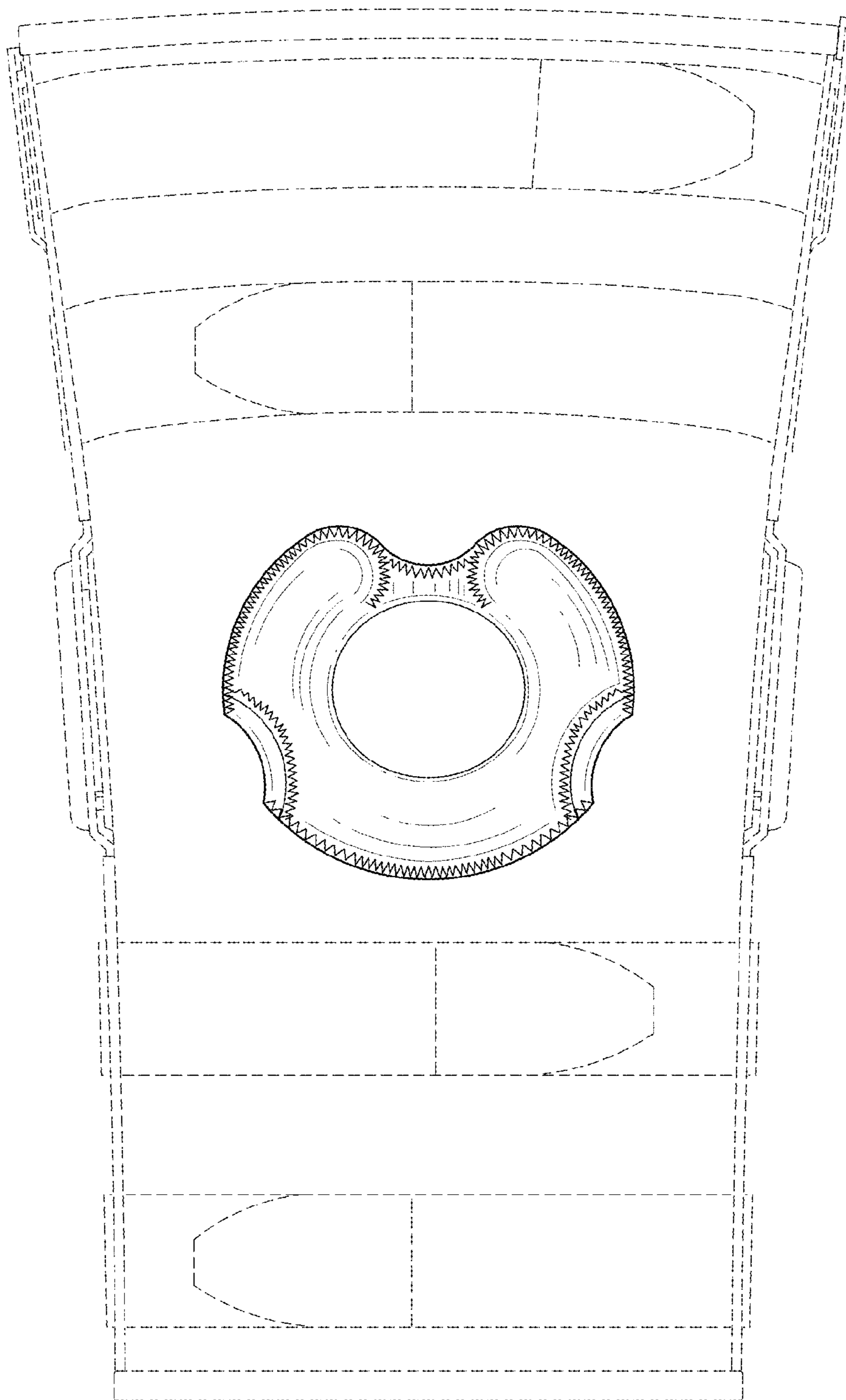


FIG. 1

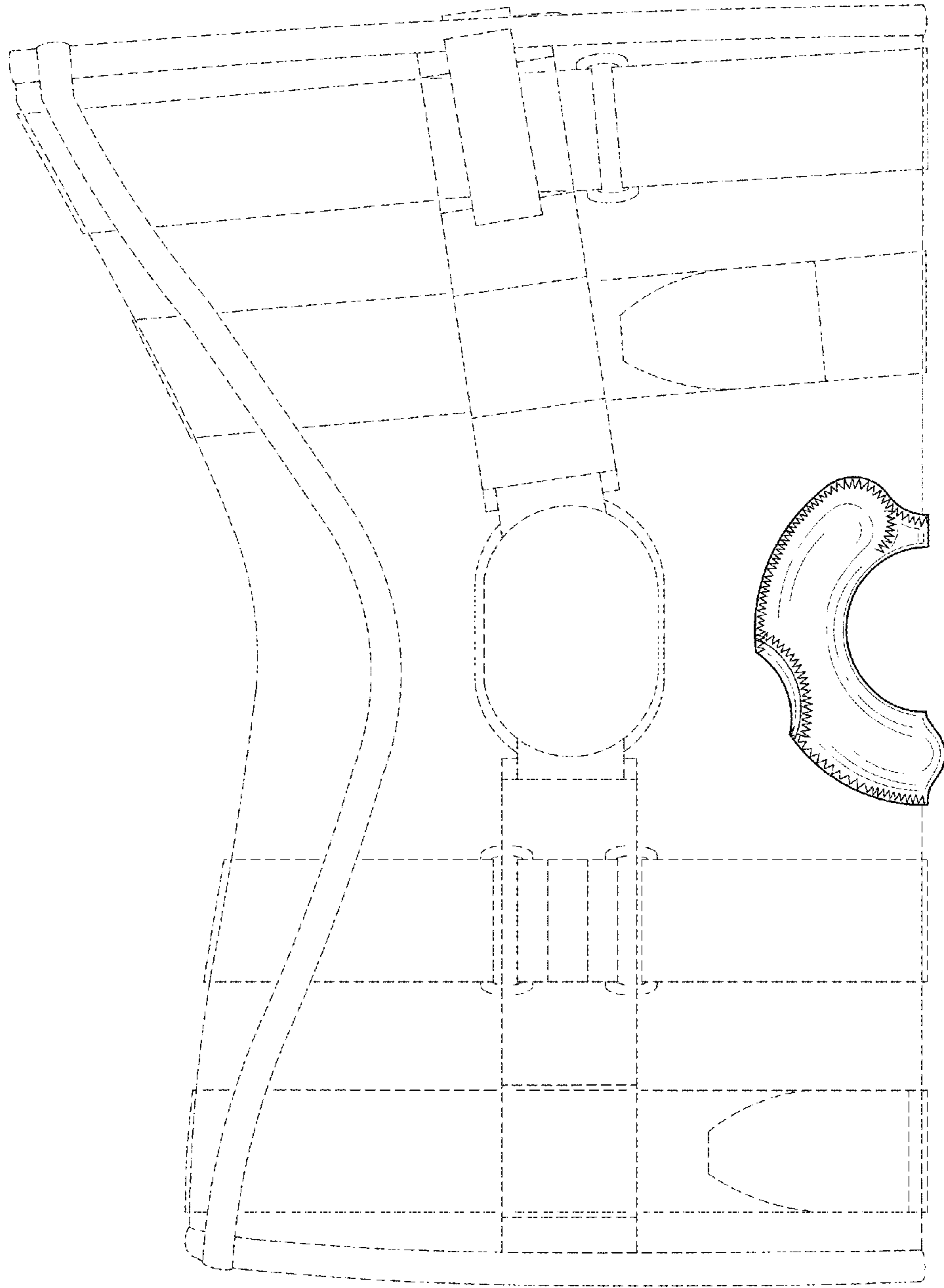


FIG. 2

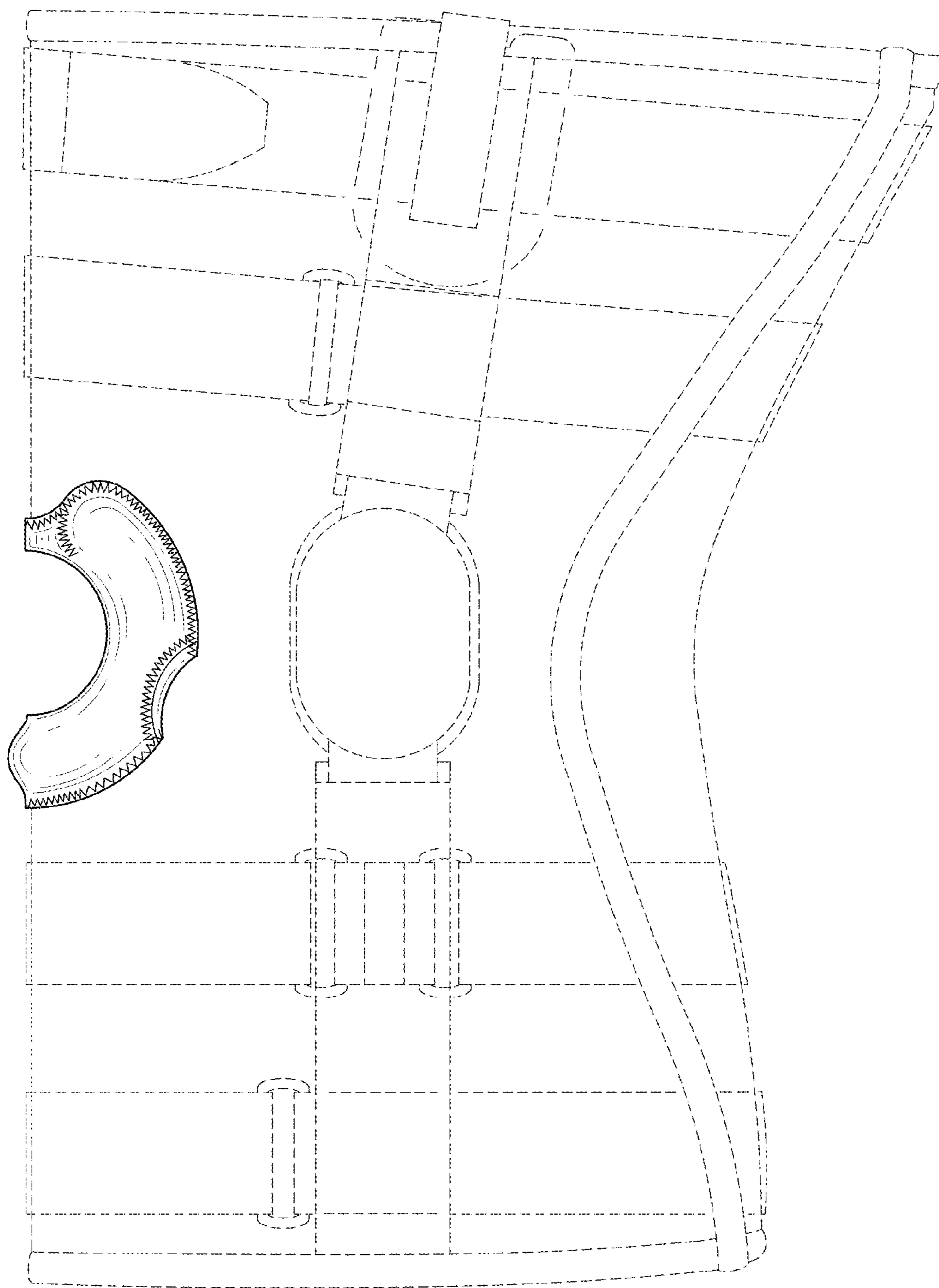


FIG. 3

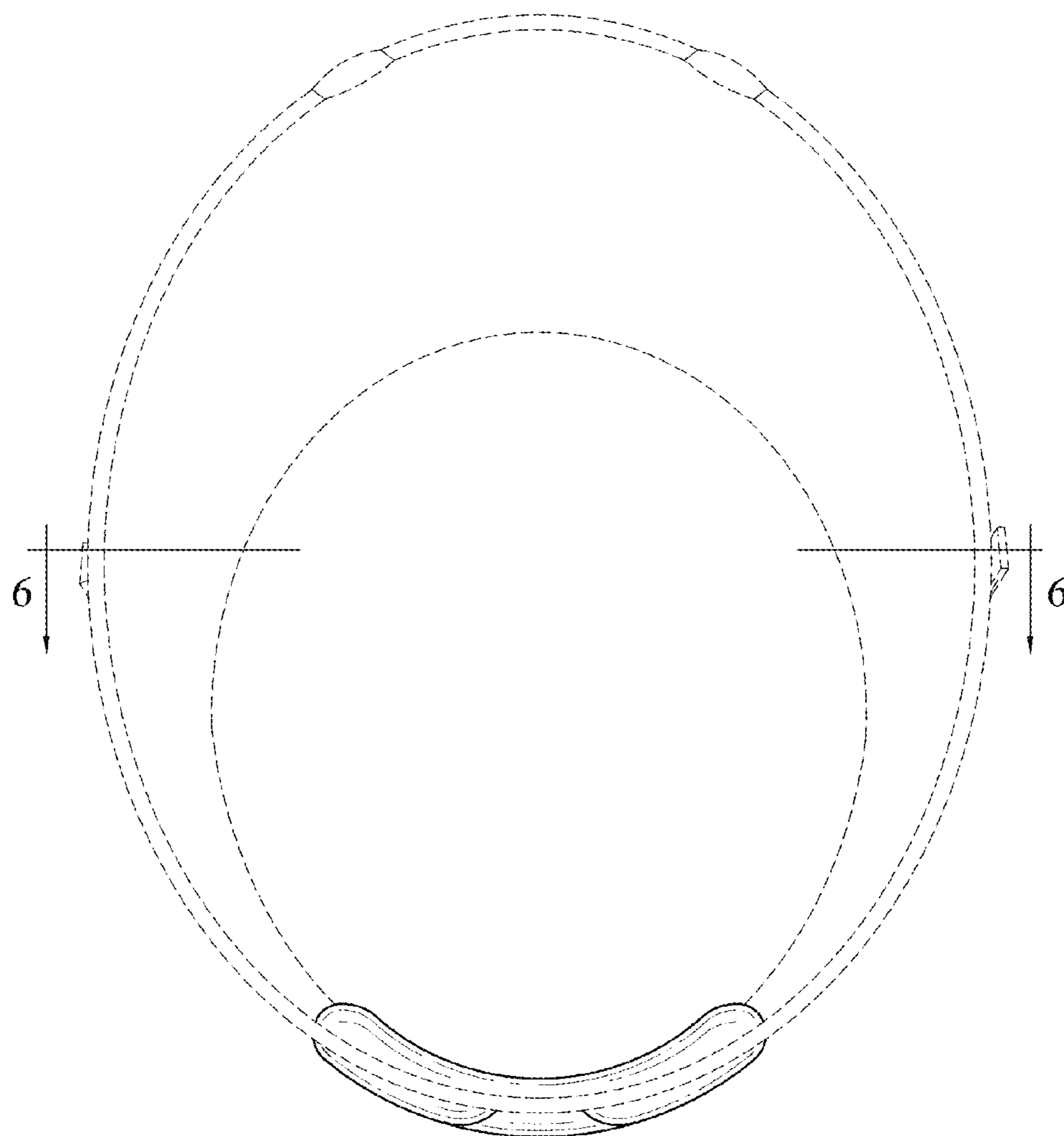


FIG. 4

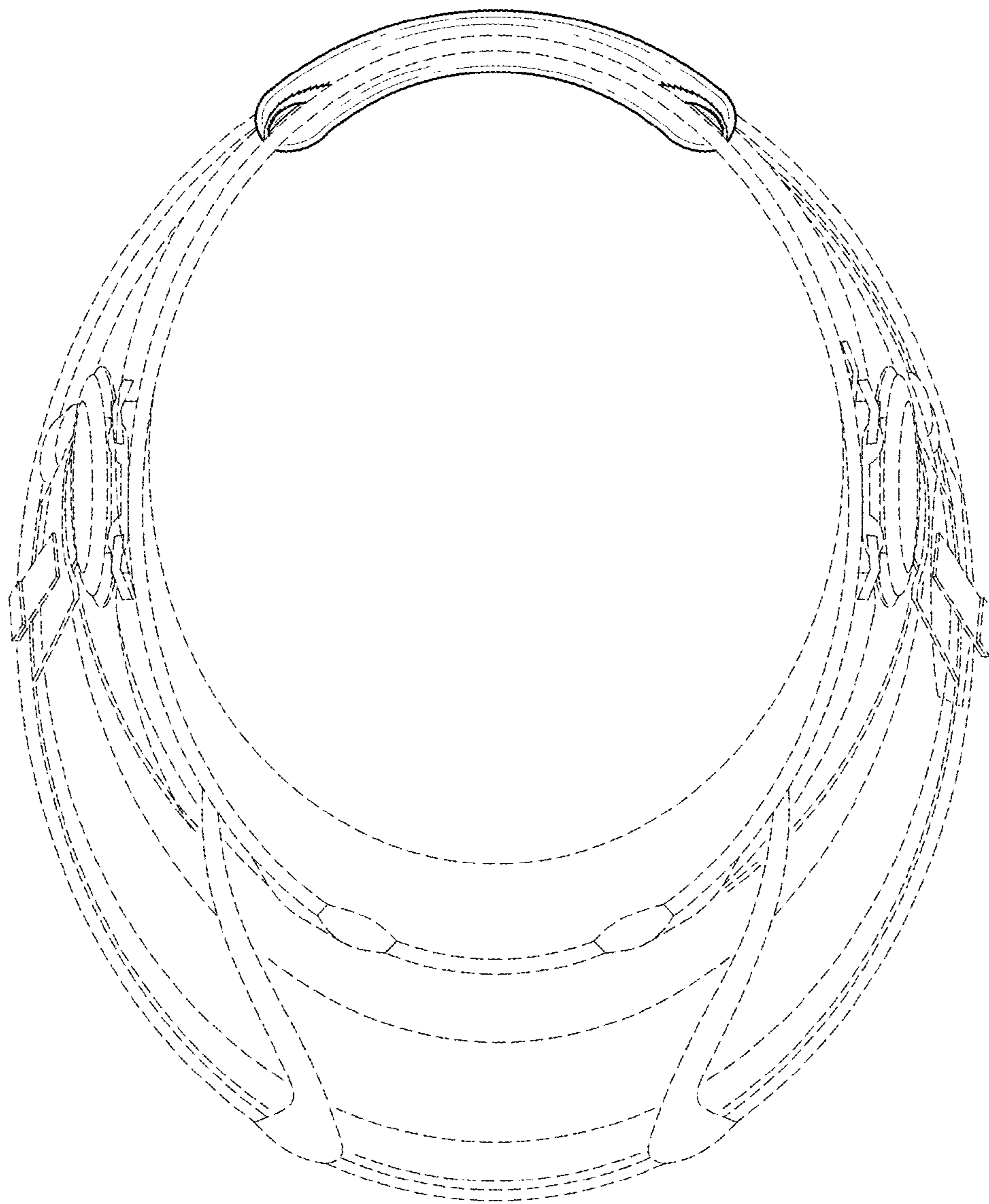


FIG. 5

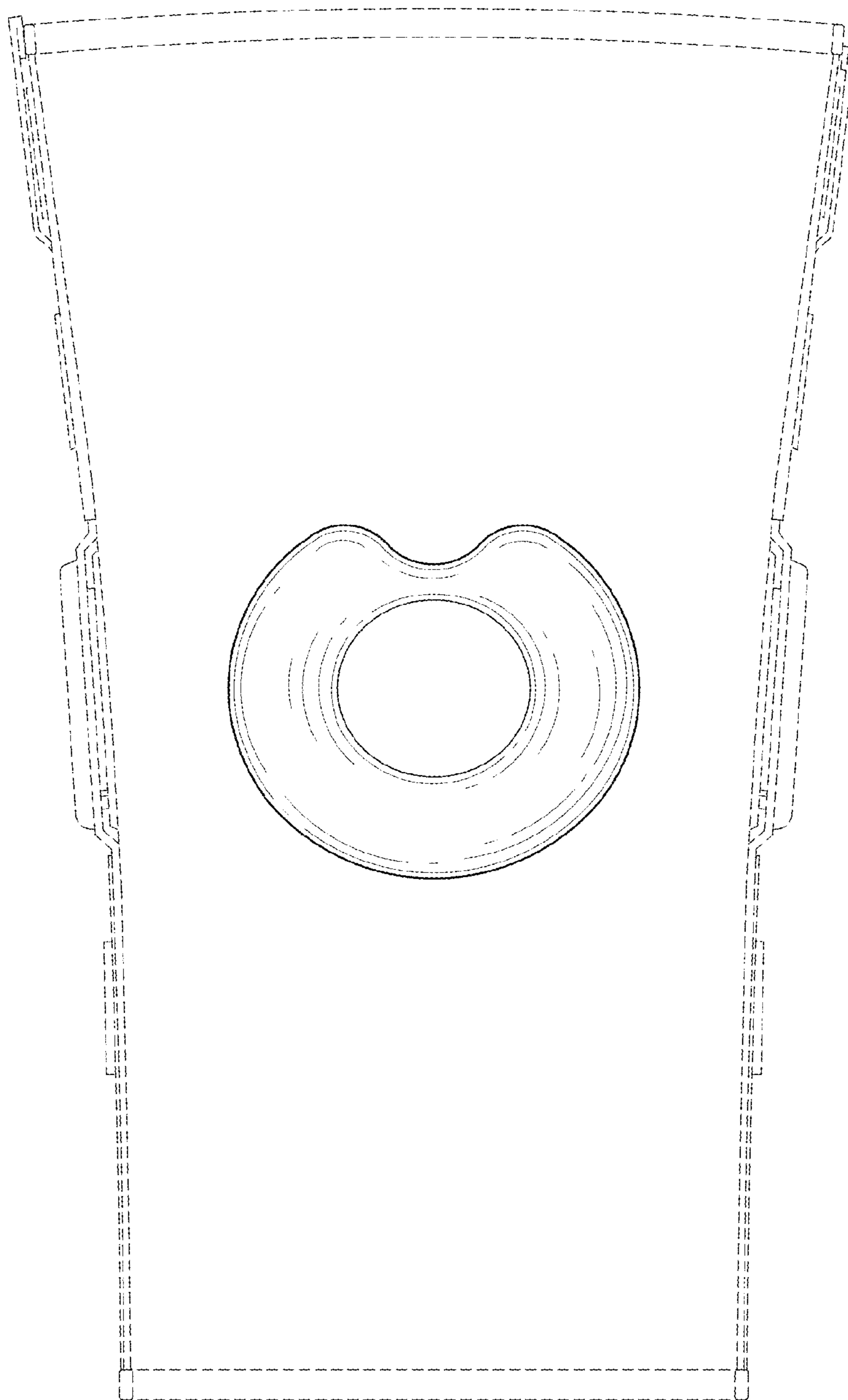


FIG. 6