



US00D683464S

(12) **United States Design Patent**
Hartman et al.

(10) **Patent No.:** **US D683,464 S**
(45) **Date of Patent:** **** May 28, 2013**

(54) **LEG BRACE**

(75) Inventors: **Eric C. Hartman**, Lexington, KY (US);
L. Gentry Barnett, Lexington, KY
(US); **John D. Alton**, Versailles, OH
(US)

(73) Assignee: **Customkinetics, Inc.**, Versailles, KY
(US)

(**) Term: **14 Years**

(21) Appl. No.: **29/394,528**

(22) Filed: **Jun. 17, 2011**

(51) **LOC (9) Cl.** **24-04**

(52) **U.S. Cl.**
USPC **D24/188**

(58) **Field of Classification Search**
USPC D24/188, 190, 192; 602/5, 6, 16,
602/23, 28, 27; D21/662, 686, 687, 688,
D21/690; 482/140, 142, 143, 130, 133, 135,
482/136

See application file for complete search history.

(56) **References Cited**

U.S. PATENT DOCUMENTS

2,730,418	A *	1/1956	Blink	108/169
2,743,978	A *	5/1956	Shore	108/36
3,083,712	A	4/1963	Keegan, Jr.	
3,502,071	A *	3/1970	Holly	601/34
3,777,675	A *	12/1973	Hanusiak	108/132
3,826,251	A *	7/1974	Ross	602/16
3,844,279	A *	10/1974	Konvalin	602/16
3,859,991	A *	1/1975	Theodores	602/28
3,999,540	A *	12/1976	Freeman	602/23
4,050,455	A *	9/1977	Smith	602/16
4,102,096	A *	7/1978	Cody	52/126.7
4,191,111	A *	3/1980	Emmert	108/132
4,421,336	A	12/1983	Petrofsky et al.	
4,499,900	A	2/1985	Petrofsky et al.	
4,503,846	A *	3/1985	Martin	602/16
4,509,509	A	4/1985	Bouvet et al.	

4,520,827	A	6/1985	Wright et al.	
4,572,169	A *	2/1986	Mauldin et al.	602/27
4,586,495	A	5/1986	Petrofsky	
D284,702	S *	7/1986	Castillo	D24/190
4,602,627	A *	7/1986	Vito et al.	602/23
4,624,247	A *	11/1986	Ford	602/26
4,688,559	A *	8/1987	Vito et al.	602/23
4,711,242	A	12/1987	Petrofsky	
4,724,842	A	2/1988	Charters	

(Continued)

FOREIGN PATENT DOCUMENTS

GB 2392110 2/2004

Primary Examiner — T. Chase Nelson

Assistant Examiner — Michelle E Wilson

(74) *Attorney, Agent, or Firm* — King & Schickli, PLLC

(57) **CLAIM**

The ornamental design for a leg brace, as shown and described.

DESCRIPTION

This invention was made with government support under Grant No. R44-HD055019 awarded by the National Institute of Health. The government has certain rights in the invention. This invention was made with an award from the Kentucky Cabinet for Economic Development, Department of Commercialization and Innovation, under Grant Agreement KSTC-184-512-08-050 with the Kentucky Science and Technology Corporation.

FIG. 1 is top perspective view of the leg brace of the present invention;

FIG. 2 is a bottom perspective view thereof;

FIG. 3 is a front elevational view thereof;

FIG. 4 is a right side elevational view thereof;

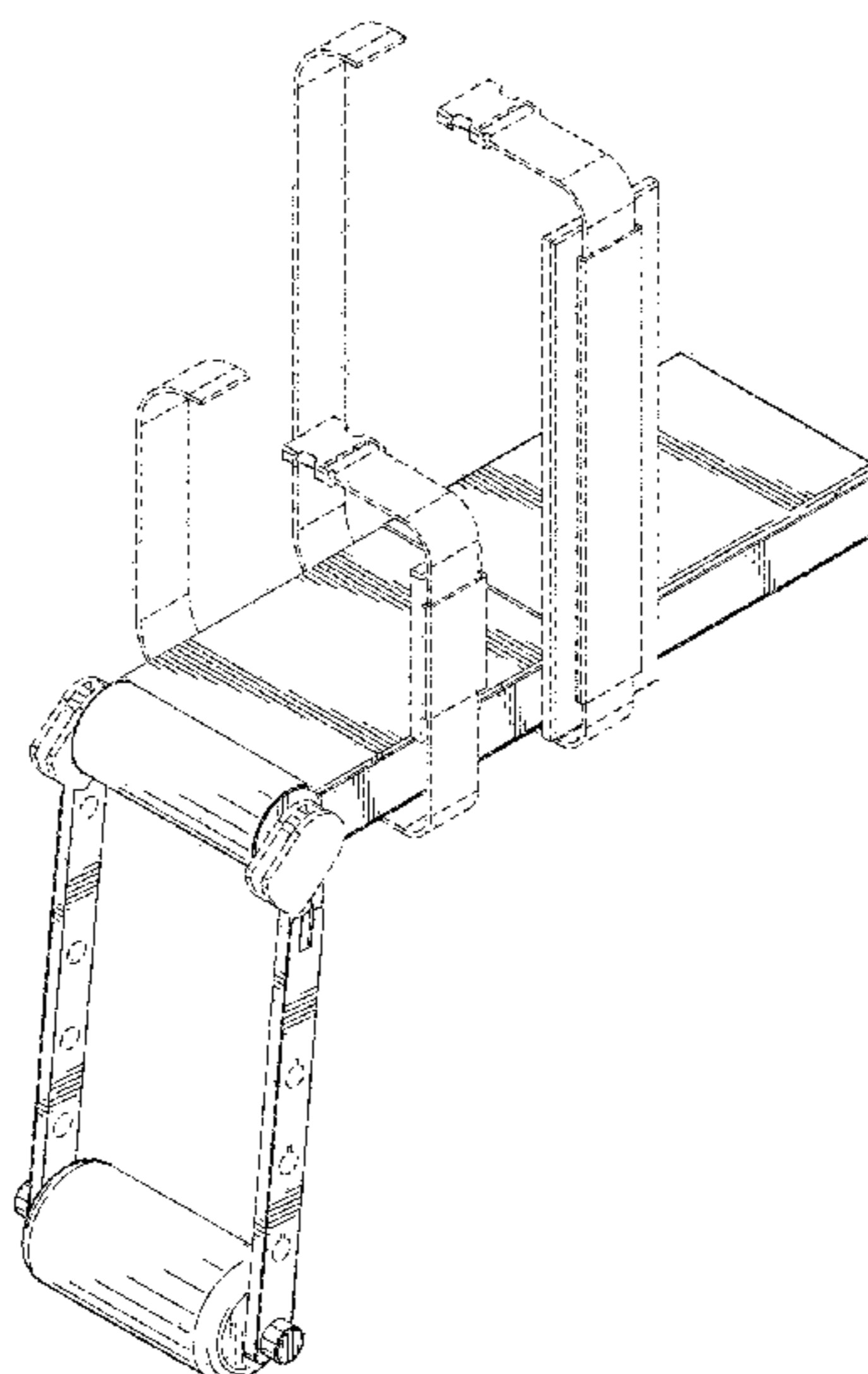
FIG. 5 is a rear elevational view thereof;

FIG. 6 is a left side elevational view thereof

FIG. 7 is a top plan view thereof; and,

FIG. 8 is a bottom plan view thereof.

1 Claim, 7 Drawing Sheets



US D683,464 S

U.S. PATENT DOCUMENTS

4,781,179	A *	11/1988	Colbert	602/16			
4,796,631	A	1/1989	Grigoryev				
4,809,696	A	3/1989	Laenger et al.				
4,838,272	A	6/1989	Lieber				
4,863,157	A	9/1989	Mendel et al.				
5,005,825	A *	4/1991	Fogel	482/60			
5,036,837	A	8/1991	Mitchell et al.				
5,052,379	A	10/1991	Airy et al.				
5,116,296	A	5/1992	Watkins et al.				
5,121,747	A	6/1992	Andrews				
D344,589	S *	2/1994	Kilbey	D24/192			
5,328,424	A	7/1994	Greco				
5,474,088	A	12/1995	Zaharkin et al.				
5,476,441	A	12/1995	Durfee et al.				
5,507,788	A	4/1996	Lieber				
5,540,735	A	7/1996	Wingrove				
5,558,627	A	9/1996	Singer et al.				
5,628,722	A	5/1997	Solomonow et al.				
5,643,332	A	7/1997	Stein				
5,669,873	A *	9/1997	Towsley	602/26			
5,891,071	A *	4/1999	Stearns et al.	602/26			
6,036,665	A *	3/2000	Towsley	602/23			
6,042,518	A	3/2000	Hildebrandt et al.				
6,064,912	A	5/2000	Kenney				
6,152,855	A	11/2000	Dean, Jr. et al.				
6,361,479	B1	3/2002	Hildebrandt et al.				
D457,639	S *	5/2002	McCoy	D24/192			
6,456,884	B1	9/2002	Kenney				
6,456,885	B1	9/2002	Shiba et al.				
6,517,503	B1	2/2003	Naft et al.				
6,666,799	B2	12/2003	Hildebrandt et al.				
D490,868	S *	6/2004	Tornabene	D21/690			
6,764,457	B2 *	7/2004	Hogg	602/23			
6,770,045	B2	8/2004	Naft et al.				
6,788,976	B2	9/2004	Gesotti				
6,872,187	B1	3/2005	Stark et al.				
6,960,155	B2	11/2005	Chien et al.				
6,960,175	B1 *	11/2005	Myers	602/16			
7,056,297	B2	6/2006	Dohno et al.				
7,204,814	B2	4/2007	Peles				
7,260,436	B2	8/2007	Kilgore et al.				
7,337,007	B2	2/2008	Nathan et al.				
7,367,958	B2	5/2008	McBean et al.				
7,381,192	B2	6/2008	Brodard et al.				
7,410,471	B1	8/2008	Campbell et al.				
7,416,537	B1	8/2008	Stark et al.				
7,540,045	B2 *	6/2009	Nativ	5/86.1			
7,899,556	B2	3/2011	Nathan et al.				
2004/0122483	A1	6/2004	Nathan et al.				
2004/0127954	A1	7/2004	McDonald, III				
2004/0172093	A1	9/2004	Rummerfield				
2004/0172097	A1	9/2004	Brodard et al.				
2005/0015118	A1	1/2005	Davis et al.				
2006/0247095	A1	11/2006	Rummerfield				
2006/0293156	A1	12/2006	Trees				
2007/0038252	A1	2/2007	Carroll				
2009/0287126	A1	11/2009	Skahan et al.				
2010/0082079	A1	4/2010	Skahan et al.				
2010/0160986	A1	6/2010	Simmons				
2010/0160987	A1	6/2010	Simmons				
2010/0262052	A1	10/2010	Lunau et al.				
2011/0093035	A1	4/2011	Moser et al.				

* cited by examiner

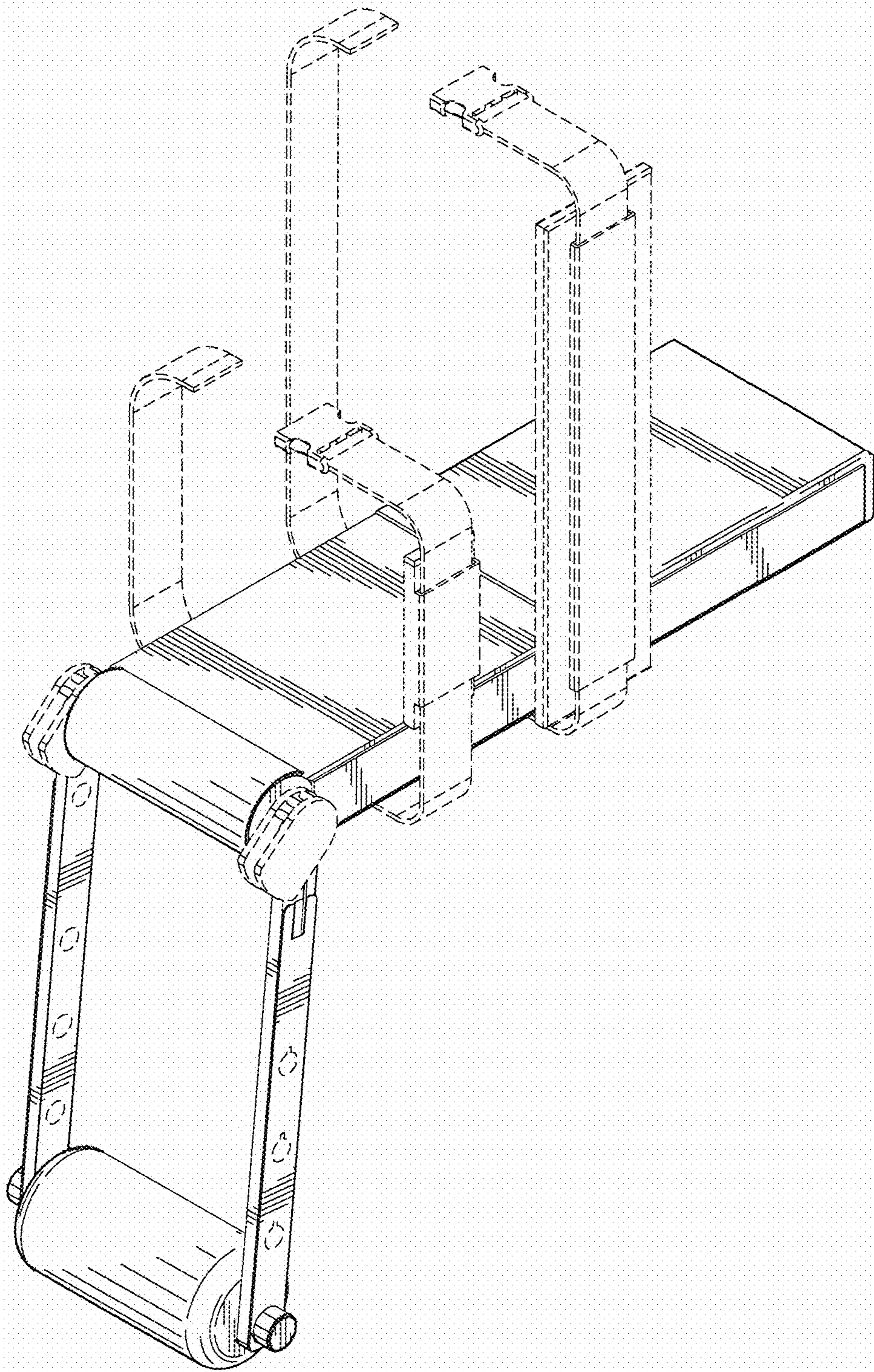


FIG. 1

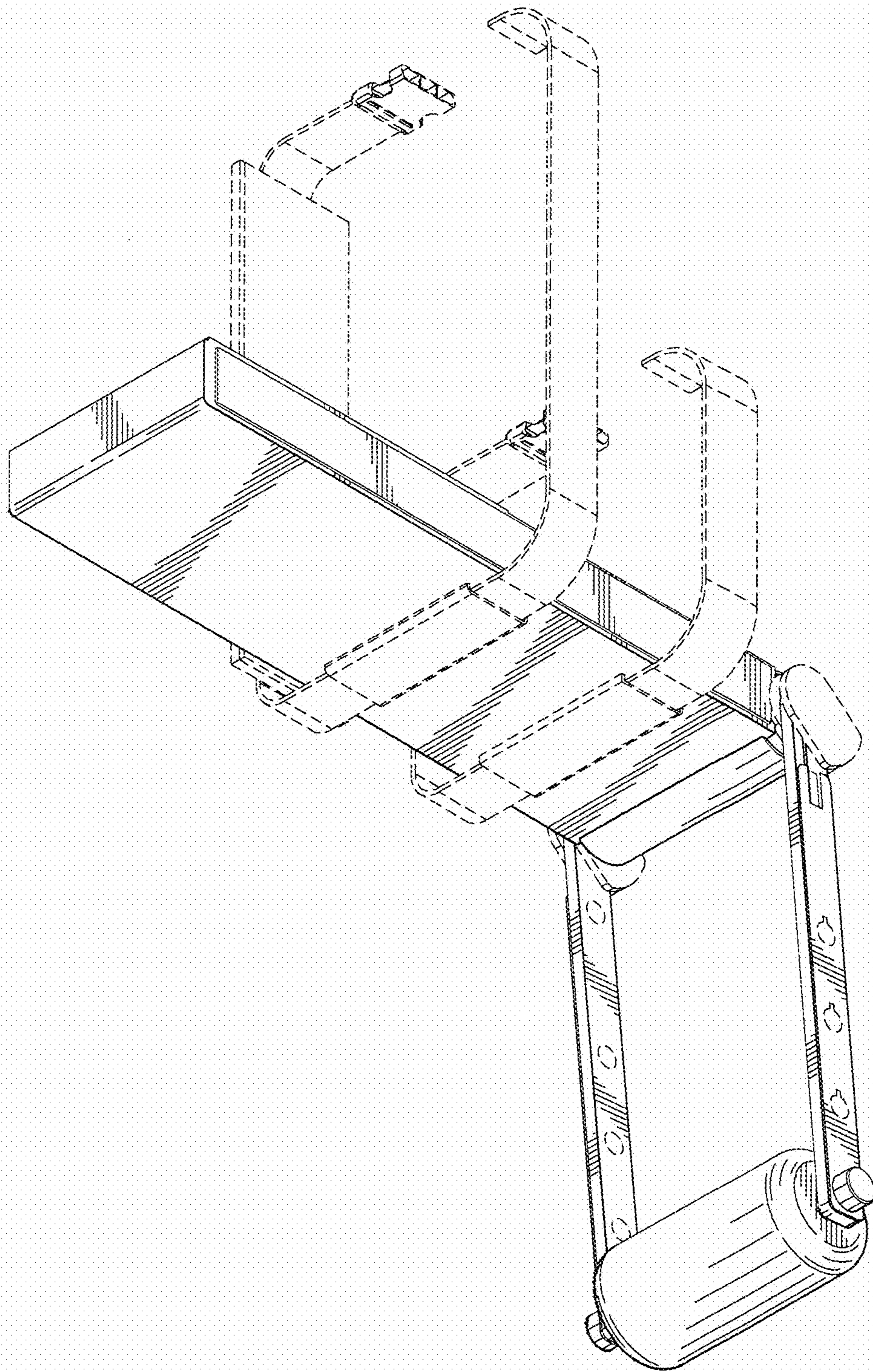


FIG. 2

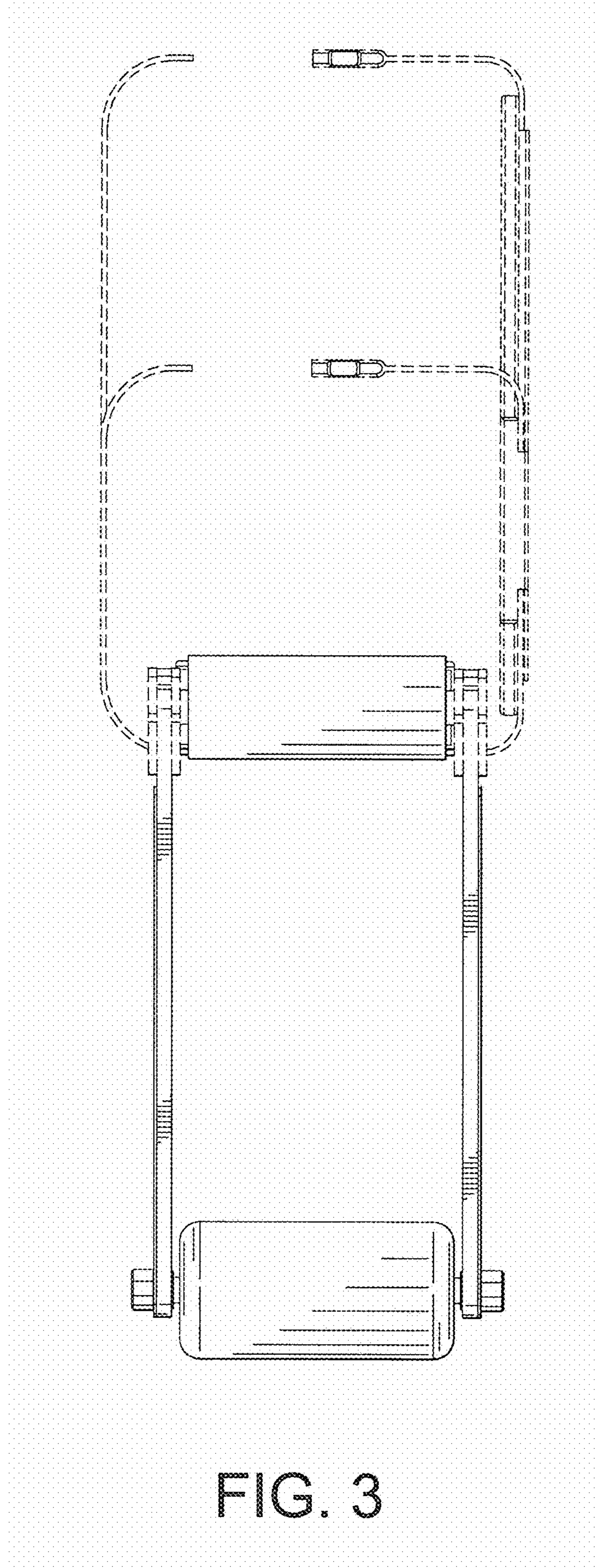


FIG. 3

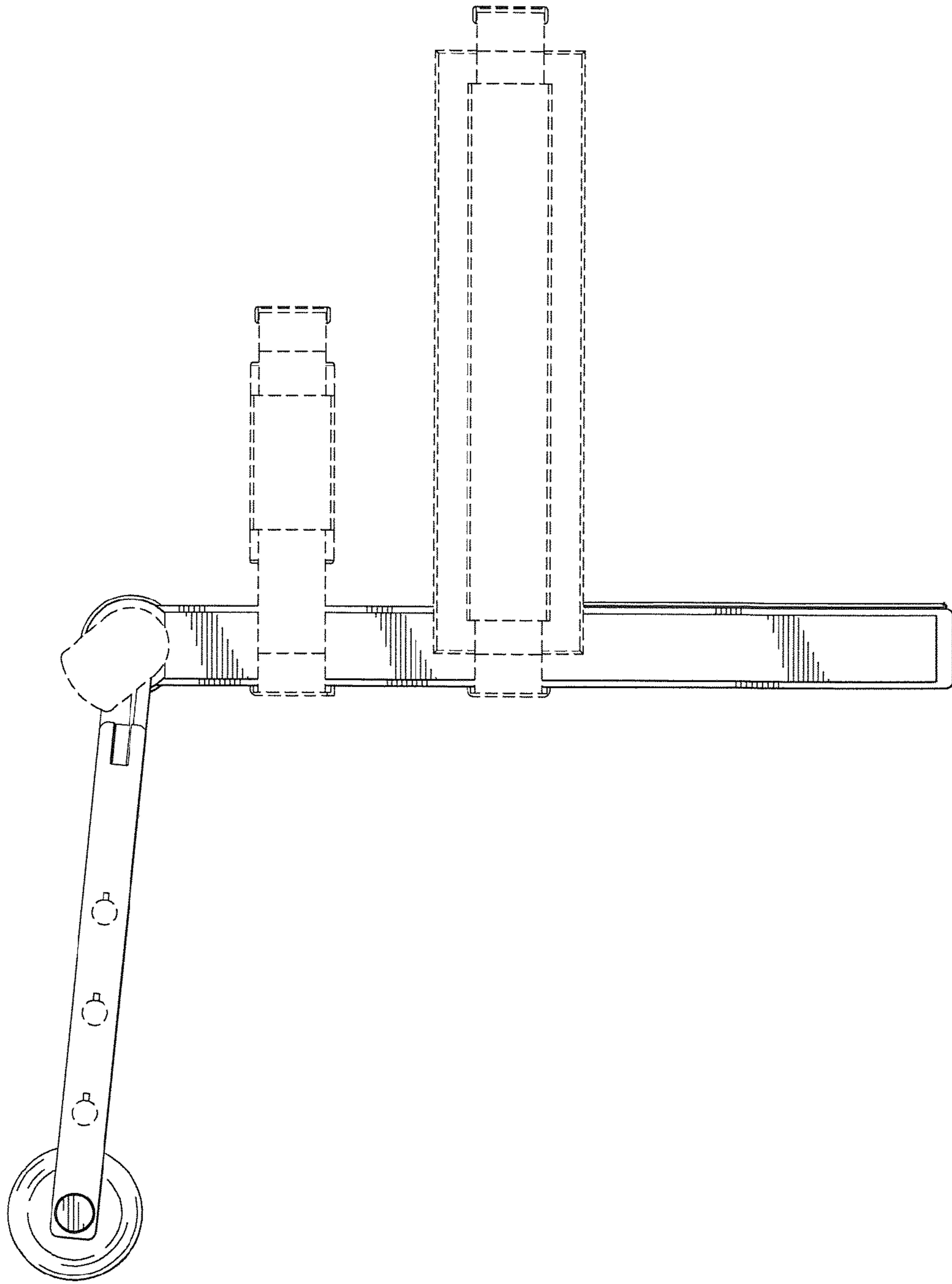


FIG. 4

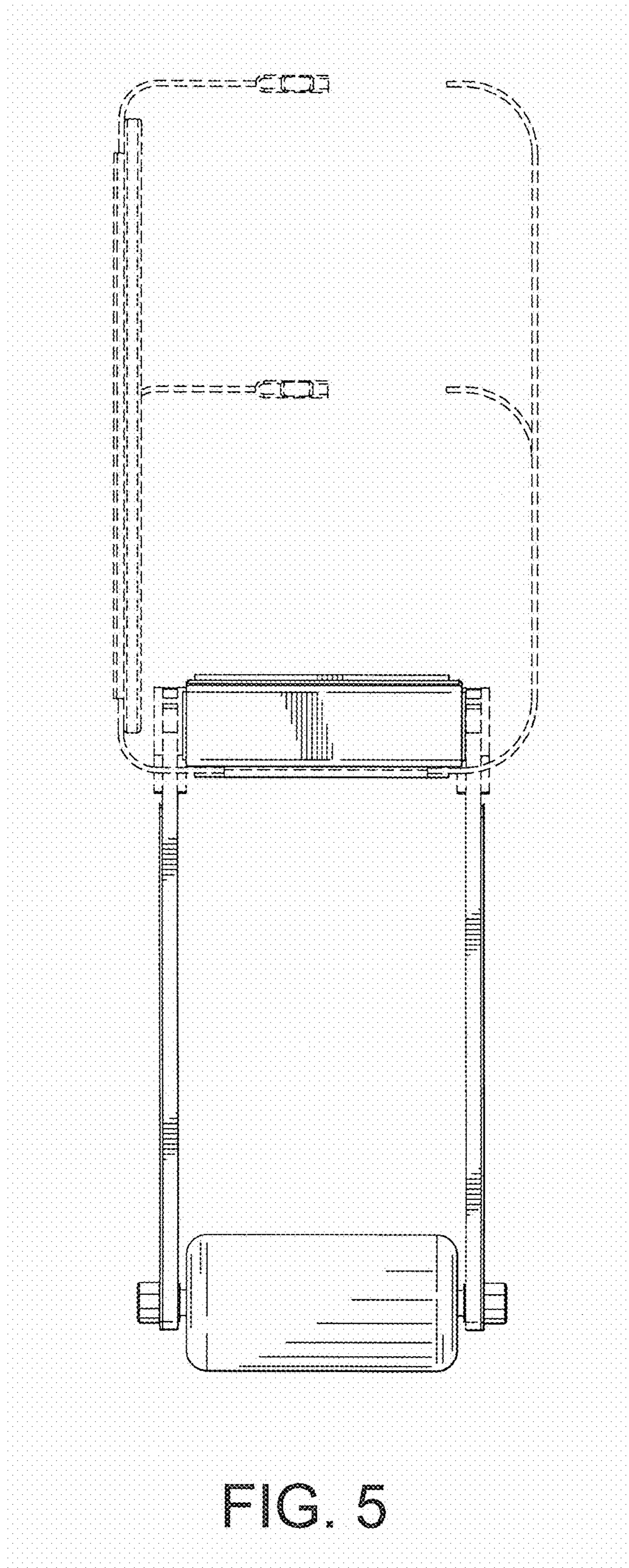


FIG. 5

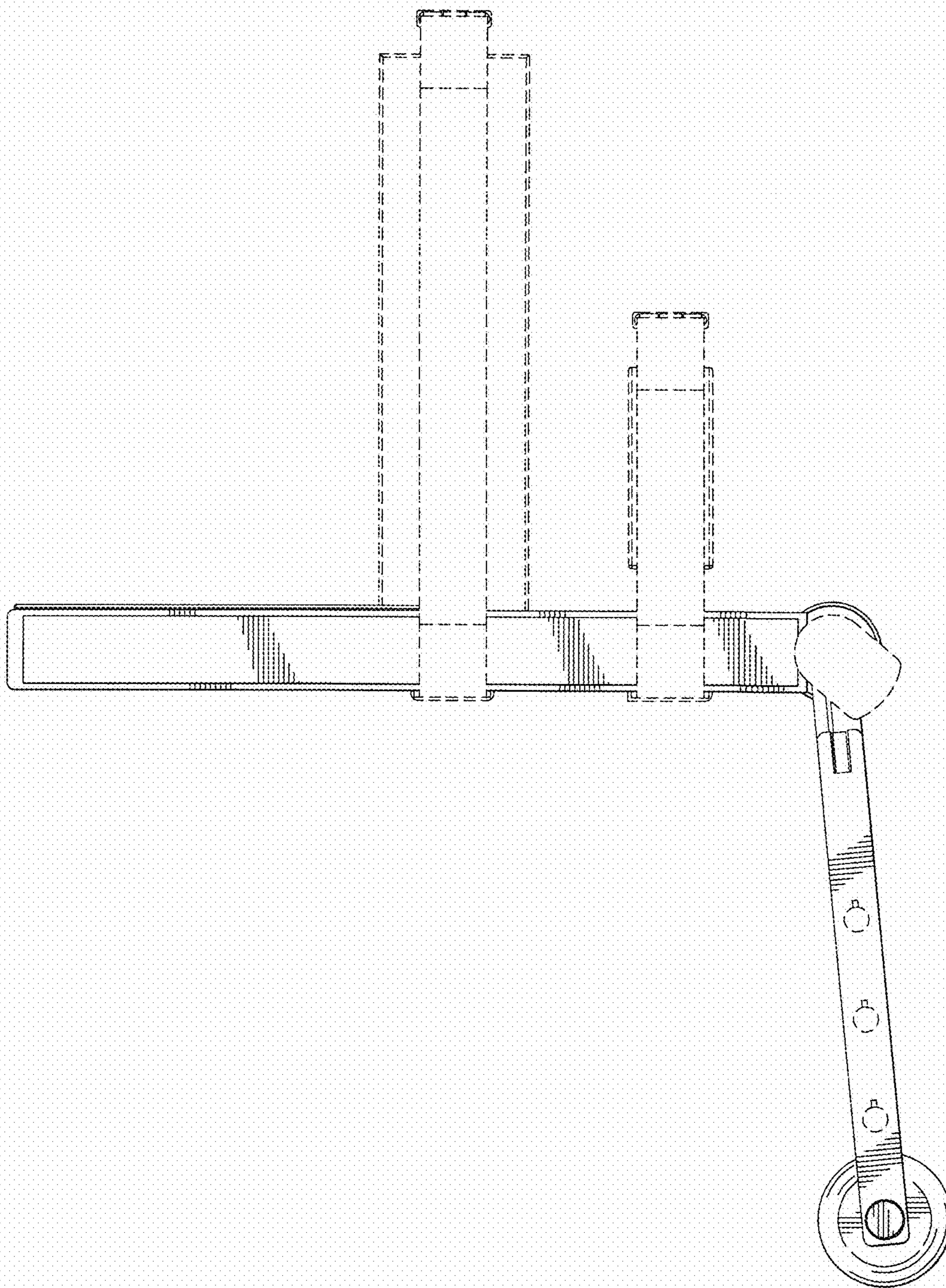


FIG. 6

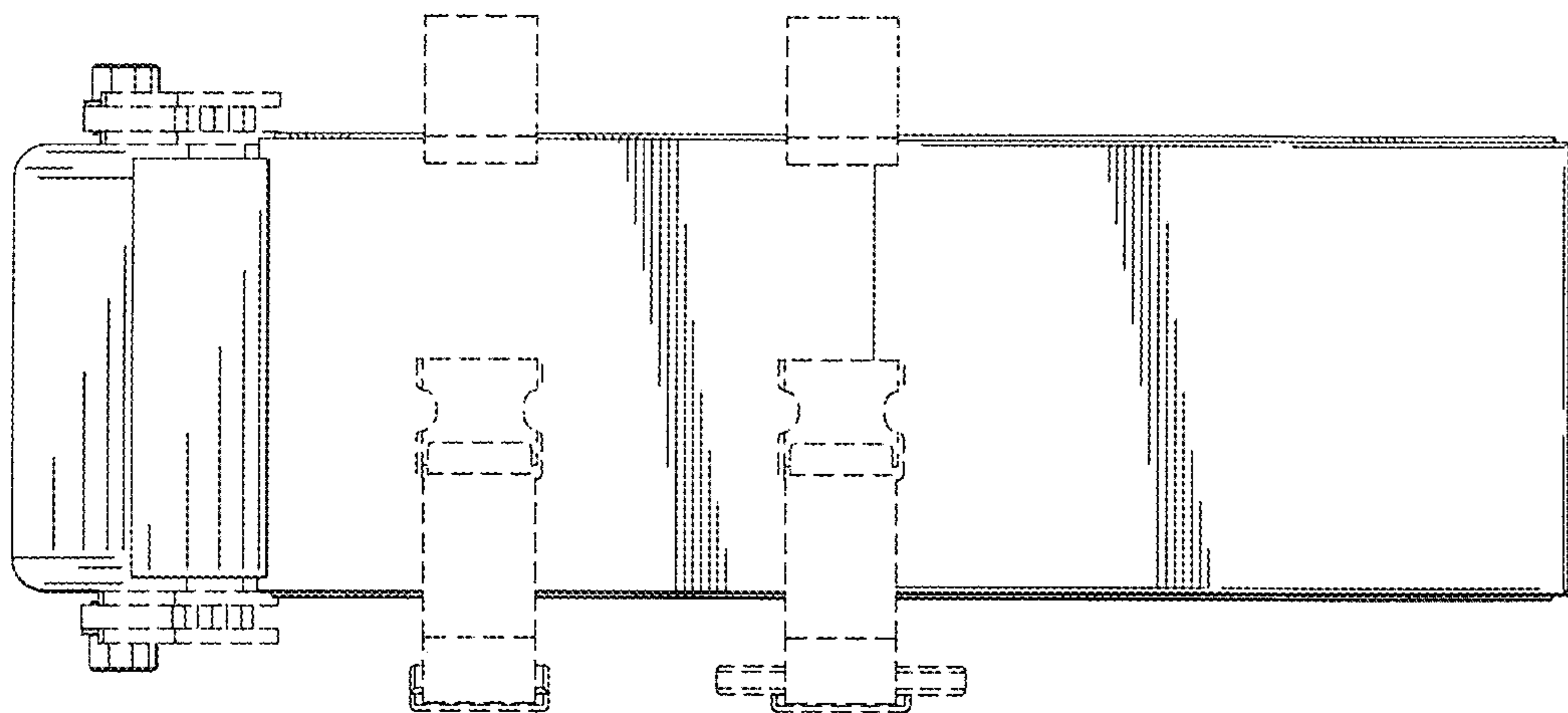


FIG. 7

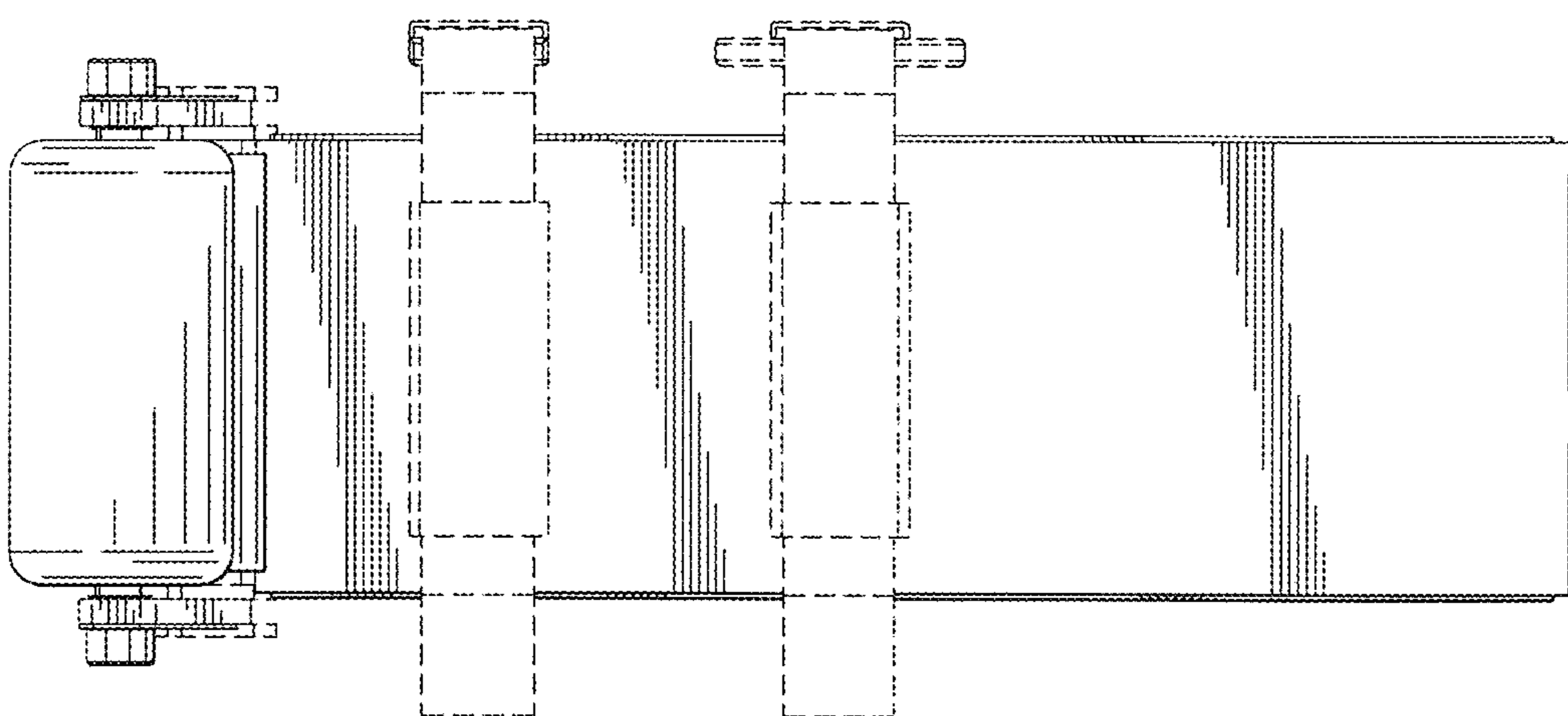


FIG. 8