



US00D683456S

(12) **United States Design Patent**
Moon et al.

(10) **Patent No.:** **US D683,456 S**

(45) **Date of Patent:** **** May 28, 2013**

(54) **FOOT SWITCH FOR MEDICAL RADIOGRAPHY**

D545,773 S * 7/2007 Schurg et al. D13/167
D551,347 S * 9/2007 Baba D24/158
D589,460 S * 3/2009 Yang D13/167

(75) Inventors: **Jae-Hwa Moon**, Seoul (KR);
Jung-Hoon Kim, Seoul (KR); **Jun-Pil Moon**, Seoul (KR)

* cited by examiner

Primary Examiner — Anhdao Doan

(73) Assignee: **Samsung Electronics Co., Ltd.**,
Suwon-si (KR)

(74) *Attorney, Agent, or Firm* — NSIP Law

(**) Term: **14 Years**

(57) **CLAIM**

The ornamental design for a foot switch for medical radiography, as shown and described.

(21) Appl. No.: **29/417,509**

(22) Filed: **Apr. 4, 2012**

DESCRIPTION

(30) **Foreign Application Priority Data**

Oct. 20, 2011 (KR) 30-2011-0043798

(51) **LOC (9) Cl.** **24-01**

(52) **U.S. Cl.**
USPC **D24/158**

(58) **Field of Classification Search** D24/158-161,
D24/185, 186; 378/4, 15, 17, 20, 21, 23-27,
378/62, 68, 146, 195-198; D13/158, 162,
D13/167, 168, 171

See application file for complete search history.

FIG. 1 is a perspective view of a foot switch for medical radiography;
FIG. 2 is a front view of the foot switch for medical radiography of FIG. 1;
FIG. 3 is a rear view of the foot switch for medical radiography of FIG. 1;
FIG. 4 is a left-side view of the foot switch for medical radiography of FIG. 1;
FIG. 5 is right-side view of the foot switch for medical radiography of FIG. 1;
FIG. 6 is a top plan view of the foot switch for medical radiography of FIG. 1; and,
FIG. 7 is a bottom plan view of the foot switch for medical radiography of FIG. 1.
Features shown in broken lines in FIGS. 1, 2, 3, 4, 5, 6, and 7 form no part of the claimed design.

(56) **References Cited**

U.S. PATENT DOCUMENTS

D542,233 S * 5/2007 Ido et al. D13/167
D542,739 S * 5/2007 Pollard D13/167
D542,741 S * 5/2007 Ido et al. D13/167

1 Claim, 7 Drawing Sheets

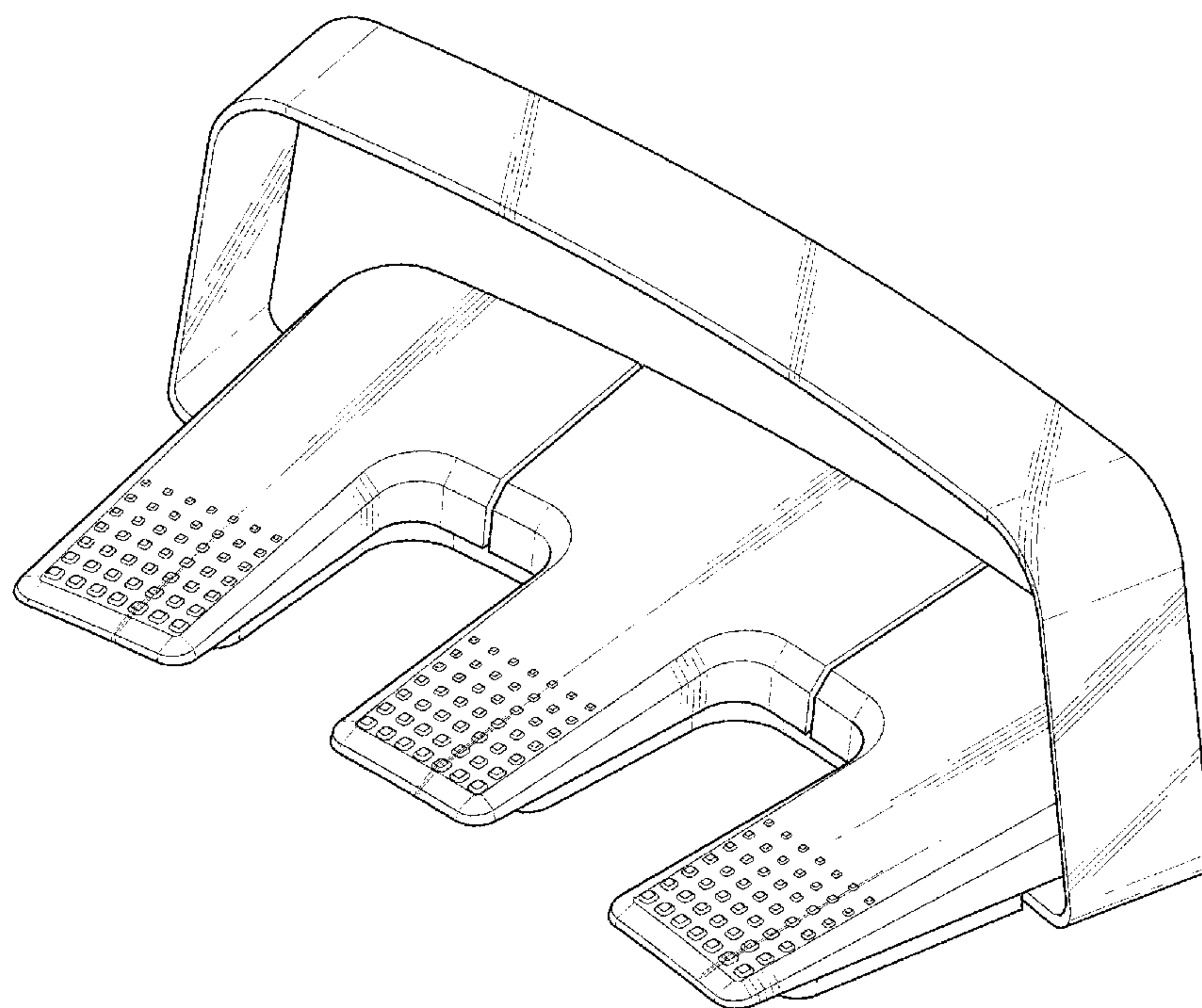


FIG. 1

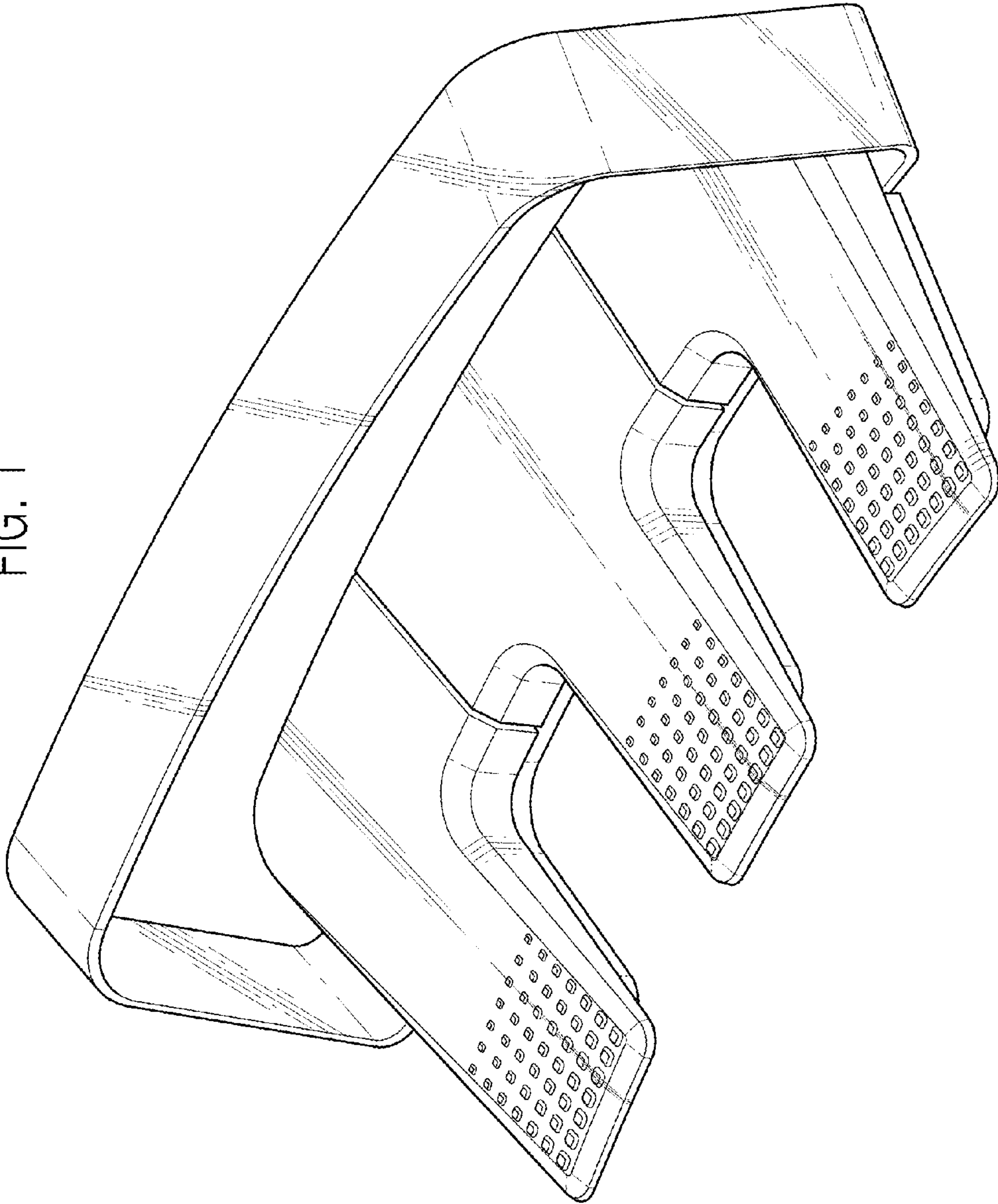


FIG. 2

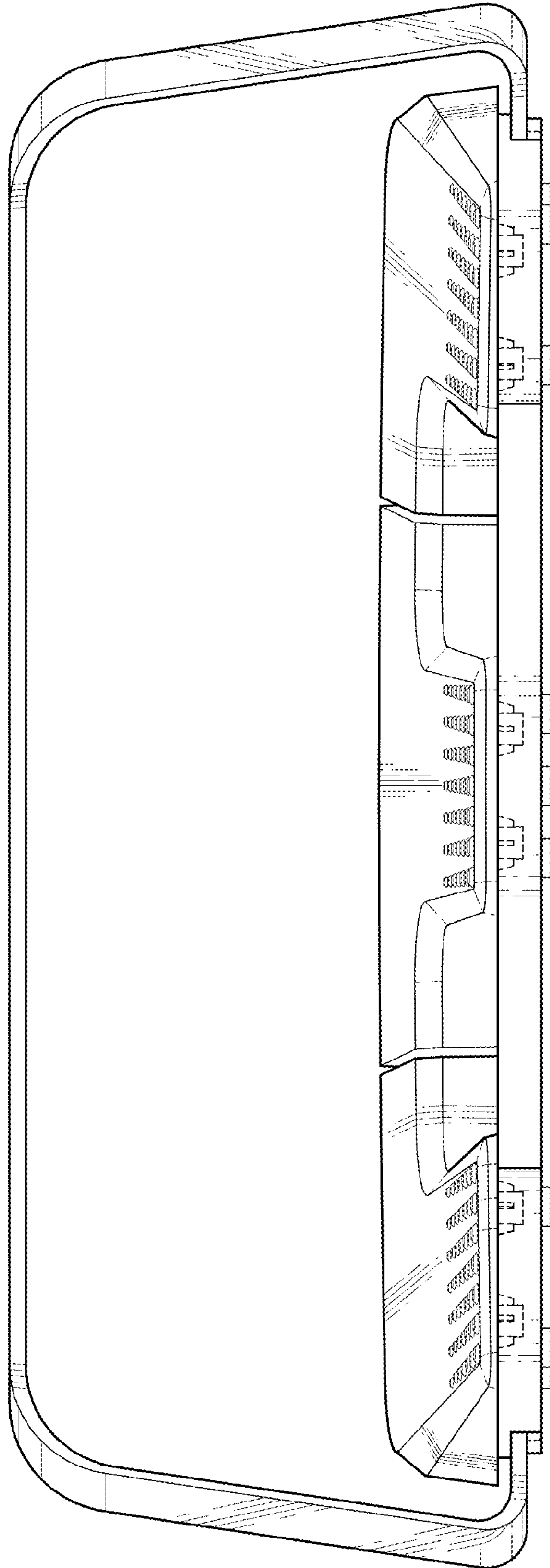


FIG. 3

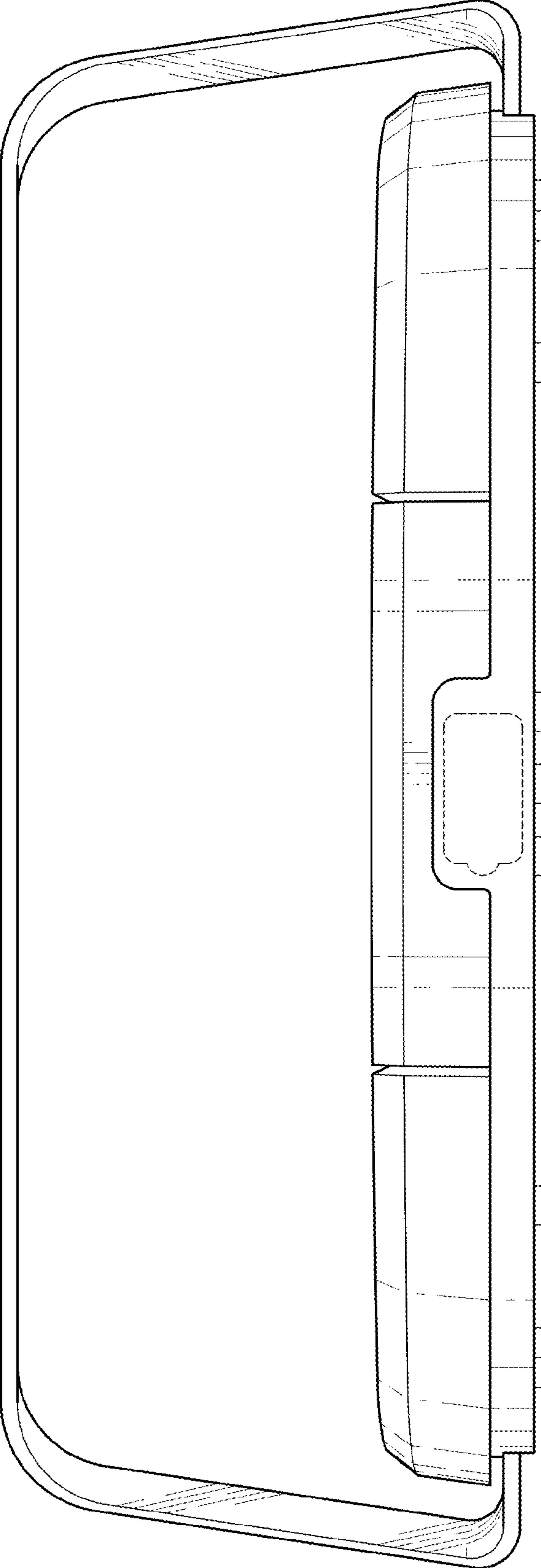


FIG. 4

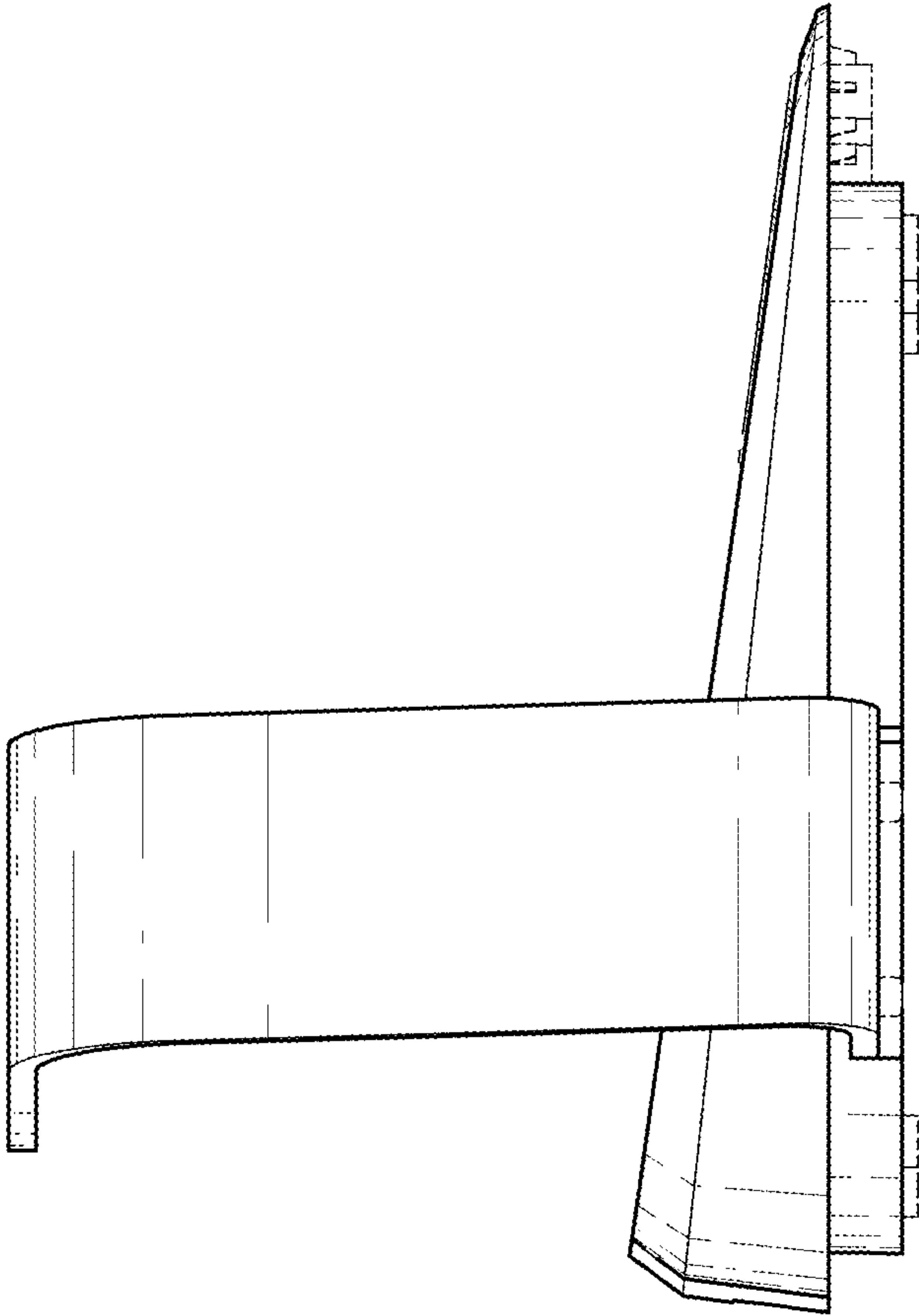


FIG. 5

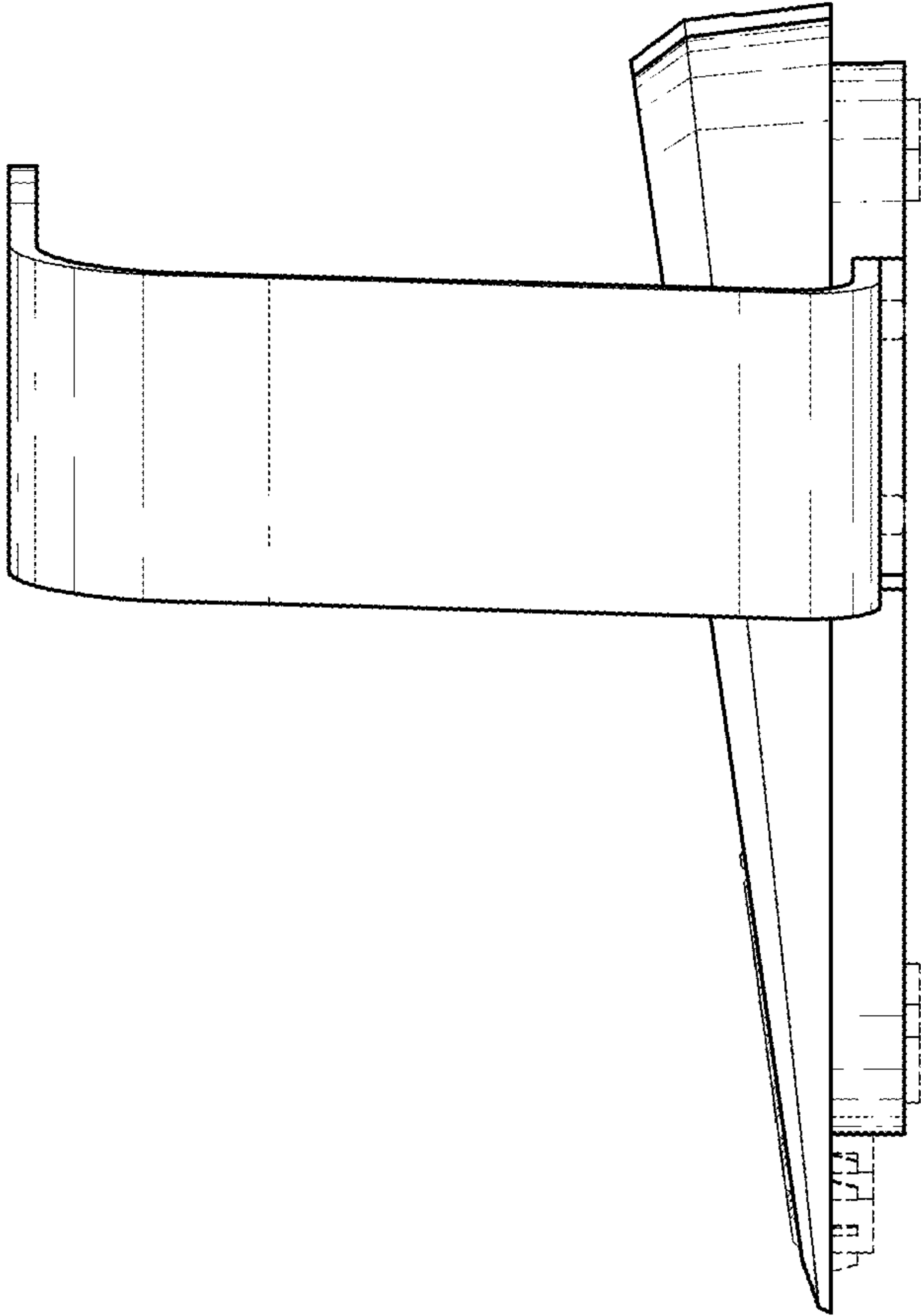


FIG. 6

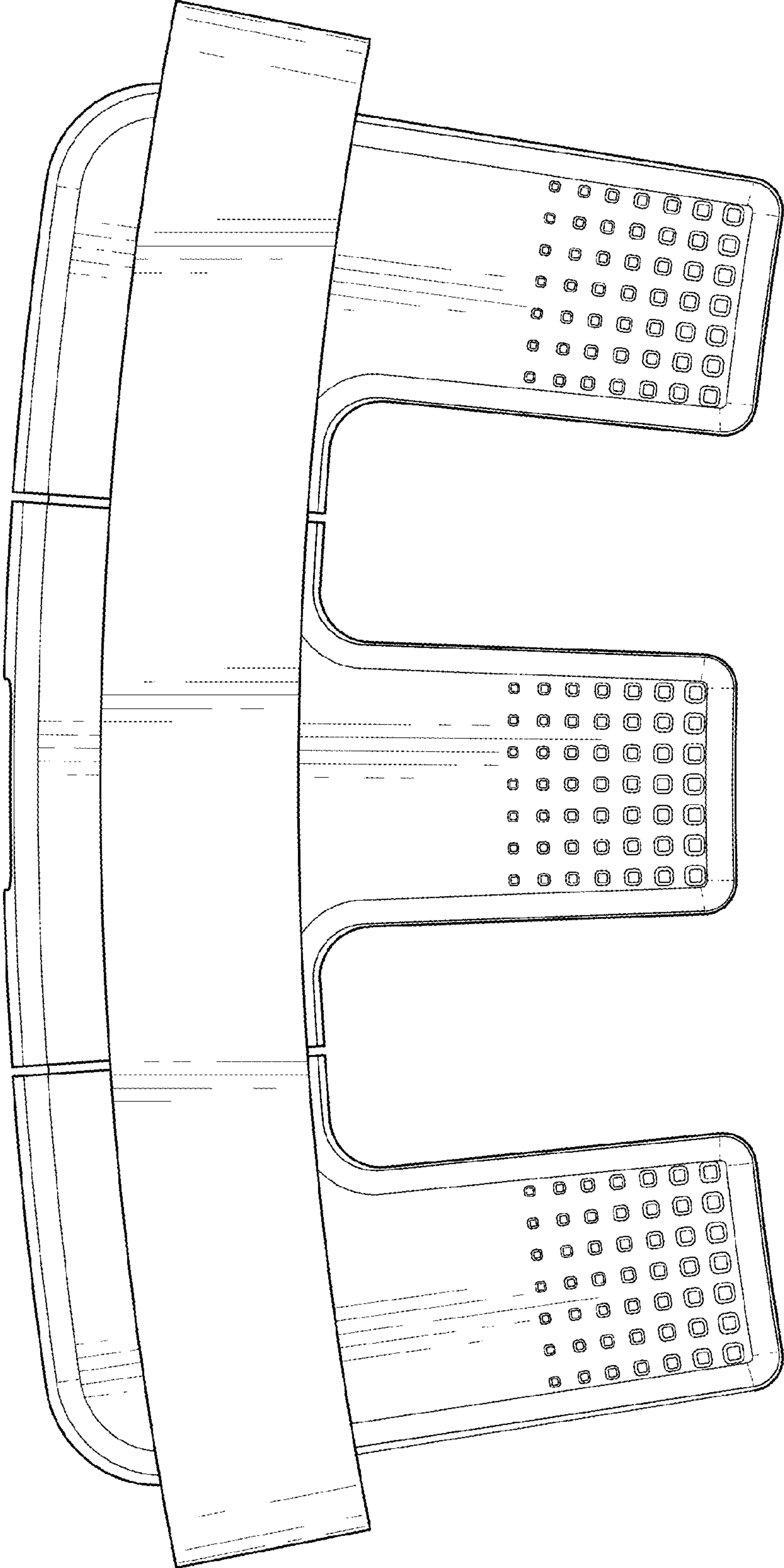


FIG. 7

