



US00D683453S

(12) **United States Design Patent**
Dubey et al.

(10) **Patent No.:** **US D683,453 S**

(45) **Date of Patent:** **** May 28, 2013**

(54) **DENTAL MATERIAL DISPENSING TUBE**

(75) Inventors: **Ryan Dubey**, Meriden, CT (US); **Jay Grady**, Walcott, CT (US); **David K. Saily**, Ridgefield, CT (US)

(73) Assignee: **Centrix, Inc.**, Shelton, CT (US)

(**) **Term:** **14 Years**

(21) **Appl. No.:** **29/413,845**

(22) **Filed:** **Feb. 21, 2012**

(51) **LOC (9) Cl.** **24-03**

(52) **U.S. Cl.**
USPC **D24/152**

(58) **Field of Classification Search**
USPC . D24/108, 129, 130, 152, 155, 156; 606/194, 606/198, 106; D8/387, 310-312; 411/178, 411/378; 433/89, 90, 27, 52, 215, 216; 604/63, 604/512, 506, 264, 275, 218, 209
See application file for complete search history.

(56) **References Cited**

U.S. PATENT DOCUMENTS

3,595,439	A *	7/1971	Newby et al.	222/80
4,457,712	A *	7/1984	Dragan	433/90
5,052,927	A	10/1991	Discko, Jr.	433/90
5,123,840	A *	6/1992	Nates	433/95
5,362,495	A	11/1994	Lesage	424/435
D353,673	S	12/1994	Discko, Jr. et al.	D24/152
D359,119	S	6/1995	Dragan et al.	D24/114
5,489,207	A	2/1996	Dragan et al.	433/90
5,871,355	A *	2/1999	Dragan et al.	433/90
5,876,384	A	3/1999	Dragan et al.	604/264

6,135,771	A	10/2000	Dragan et al.	433/90
D435,292	S	12/2000	Dragan et al.	D24/152
6,261,094	B1	7/2001	Dragan	466/90
6,302,574	B1	10/2001	Chan	366/160.4
D460,822	S	7/2002	Dragan et al.	D24/152
6,634,524	B1 *	10/2003	Helmenstein	222/94
7,448,867	B2 *	11/2008	Aloise et al.	433/81
7,748,567	B2	7/2010	Horner et al.	222/135
D635,248	S *	3/2011	Coale	D24/114
D658,763	S *	5/2012	Peuker et al.	D24/176
8,210,397	B2 *	7/2012	Joung	222/145.6

* cited by examiner

Primary Examiner — Ian Simmons

Assistant Examiner — Charles Hanson

(74) *Attorney, Agent, or Firm* — Fattibene and Fattibene LLC; Paul A. Fattibane

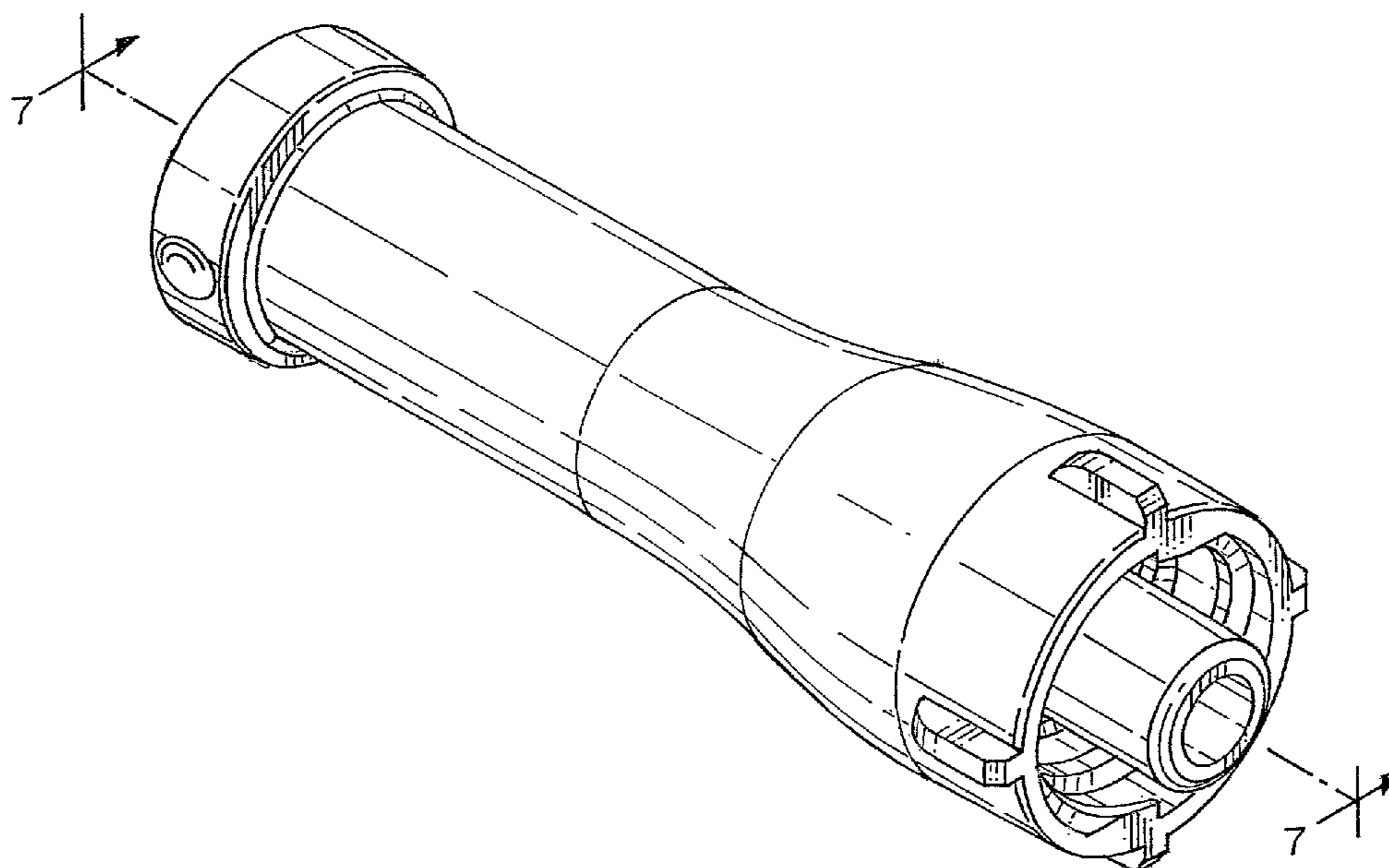
(57) **CLAIM**

The ornamental design for a dental material dispensing tube, as shown and described.

DESCRIPTION

FIG. 1 is a perspective view of a dental material dispensing tube showing the new design;
FIG. 2 is a left side elevation view thereof;
FIG. 3 is a right side elevation view thereof;
FIG. 4 is a top view thereof, with the bottom view being a mirror image;
FIG. 5 is a front elevation view thereof;
FIG. 6 is a rear elevation view thereof; and,
FIG. 7 is a cross section taken along line 7-7 in FIG. 1 better illustrating the surfaces seen from the front and rear, with the cross hatching forming no part of the design.

1 Claim, 4 Drawing Sheets



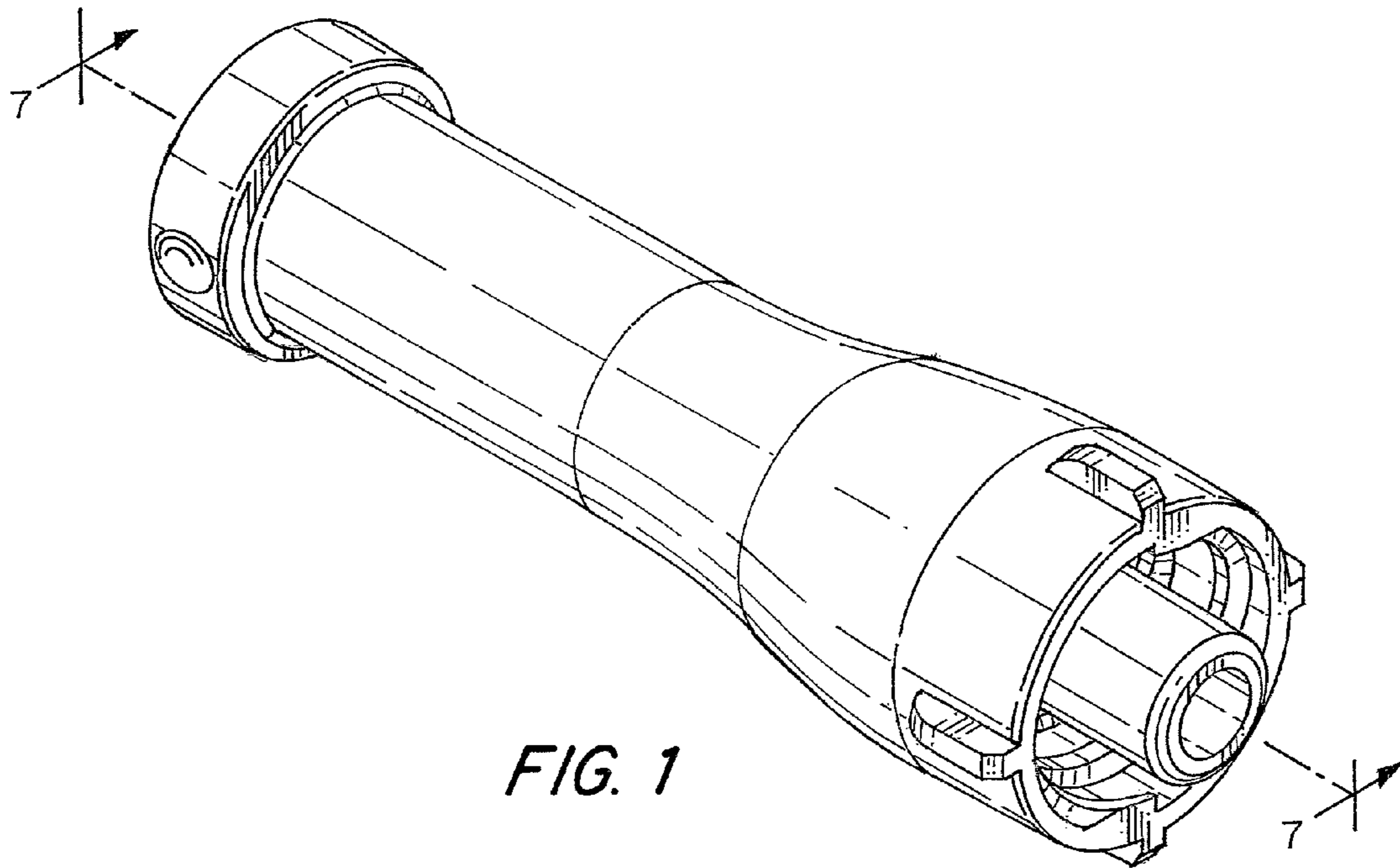


FIG. 1

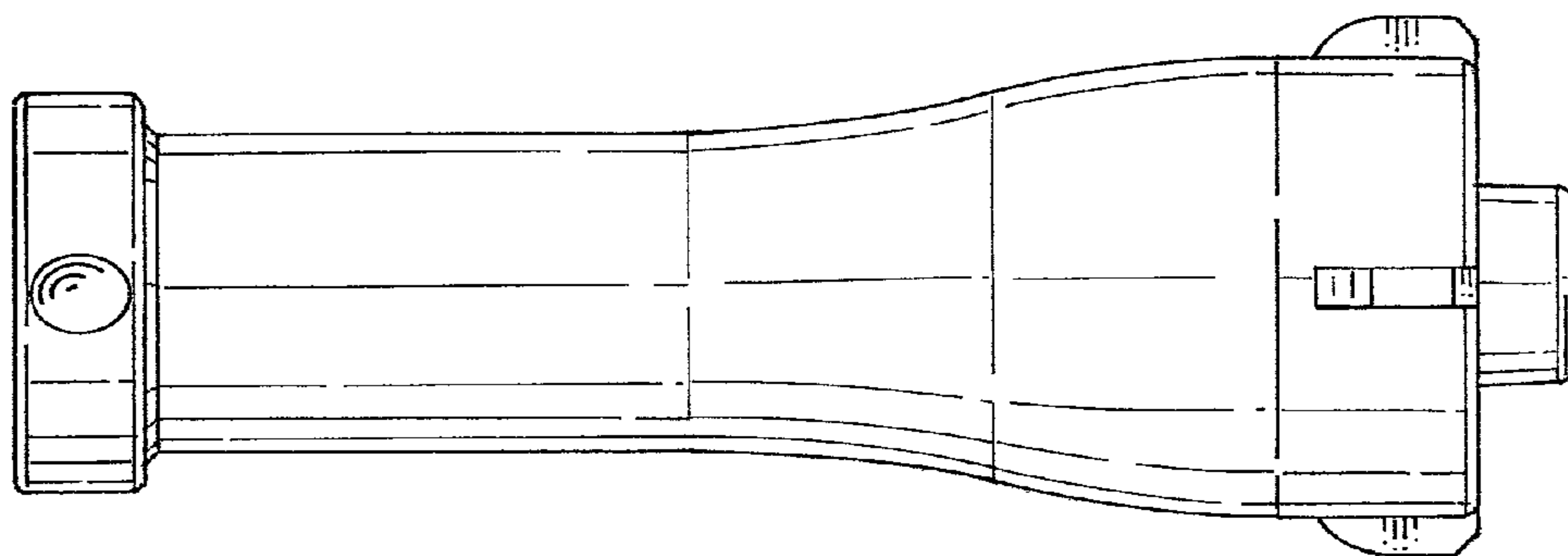


FIG. 2

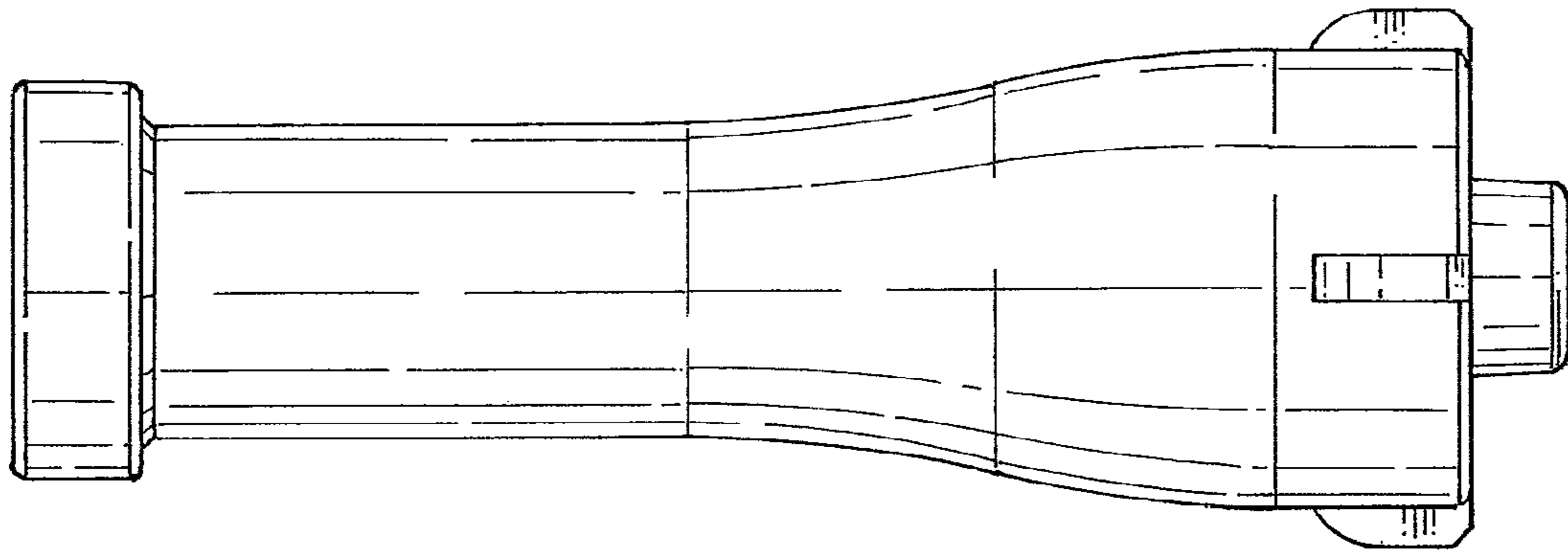


FIG. 3

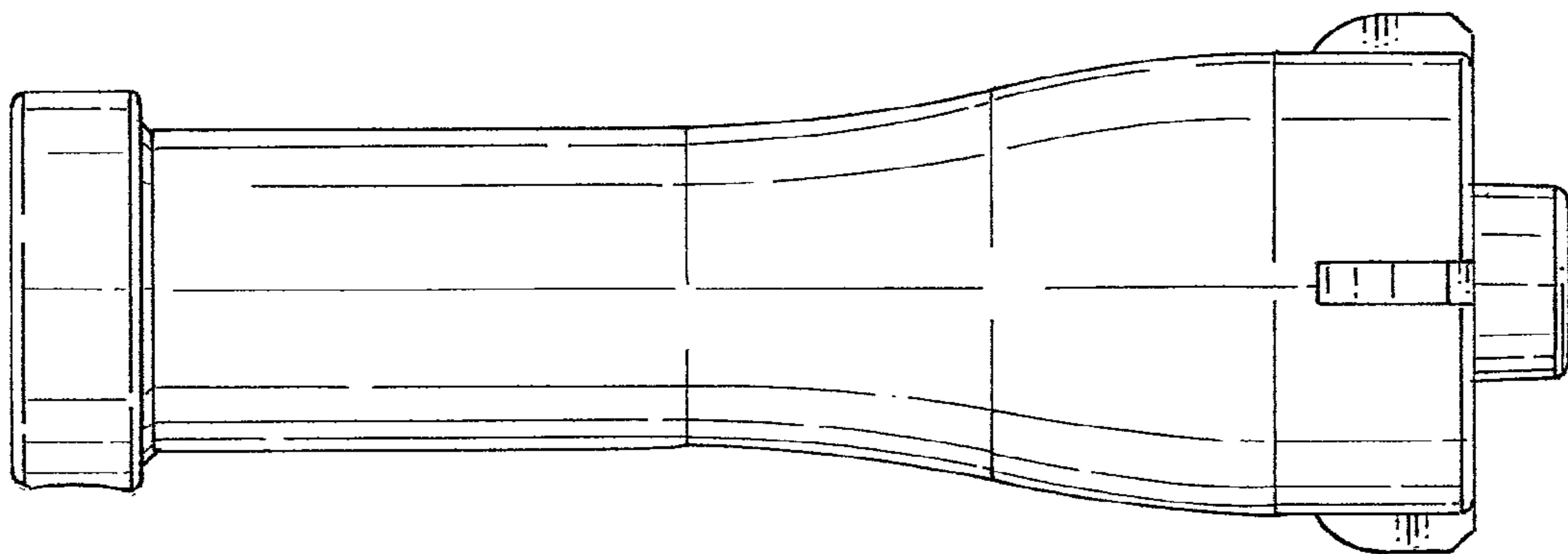


FIG. 4

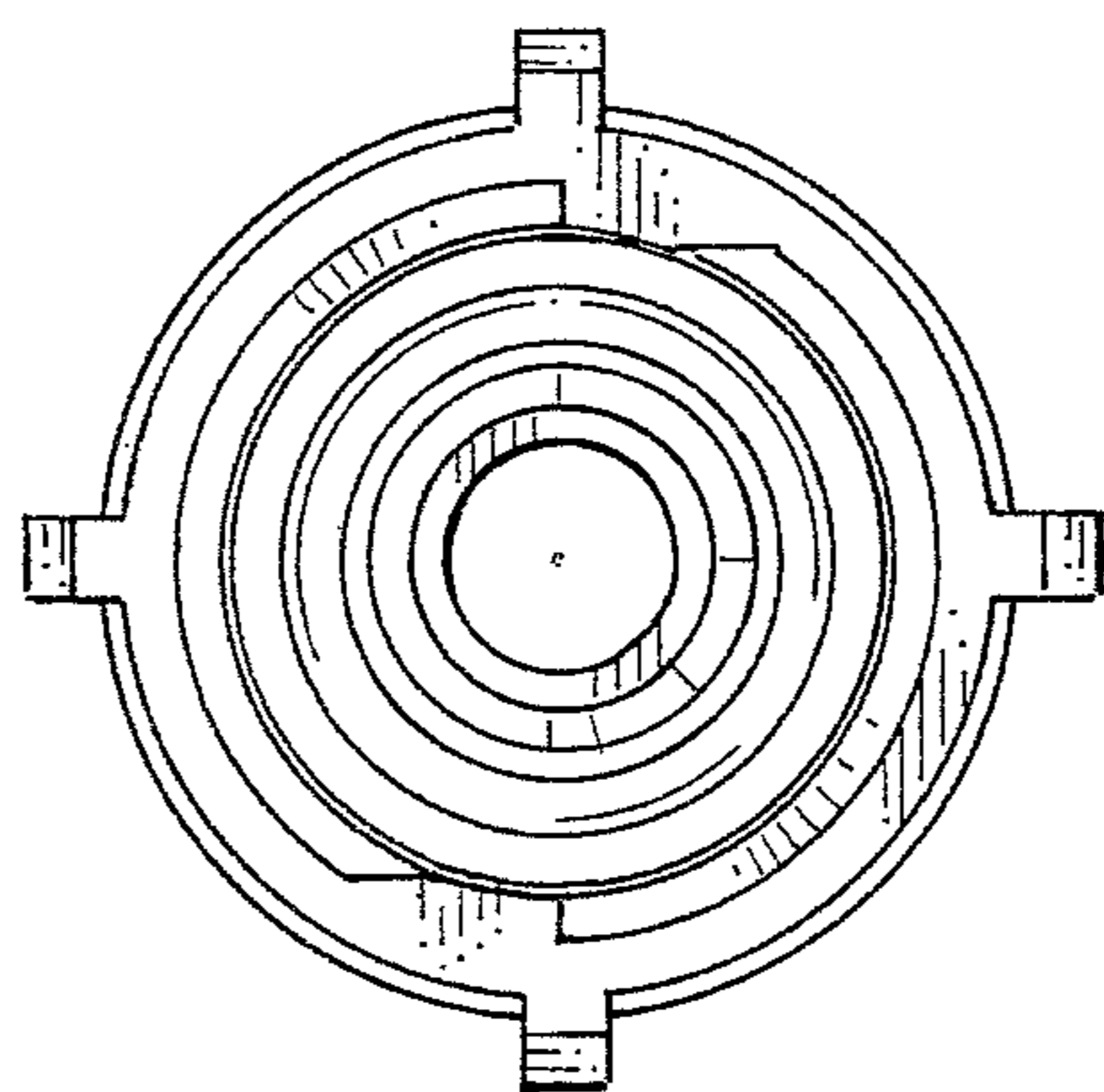


FIG. 5

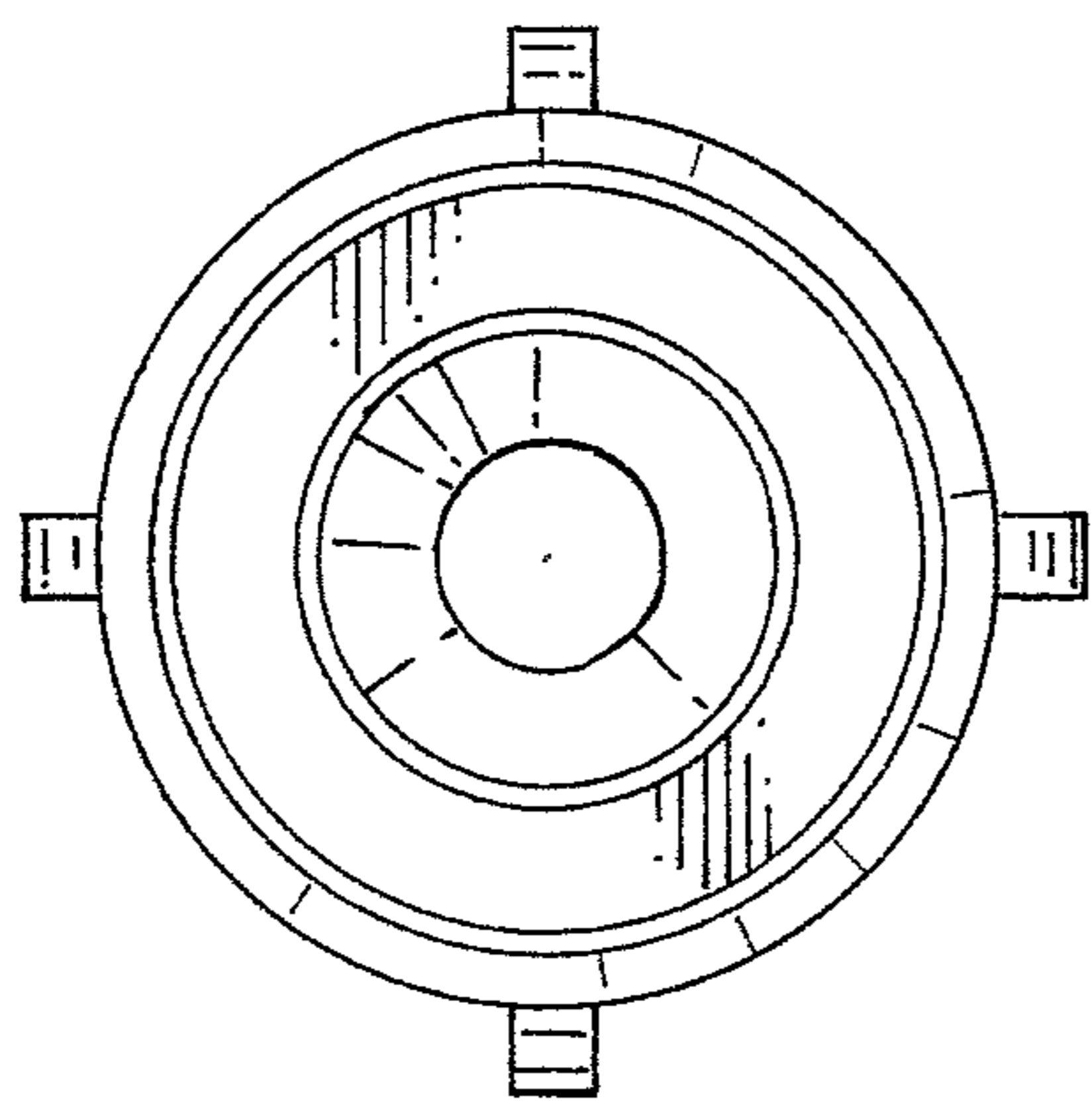


FIG. 6

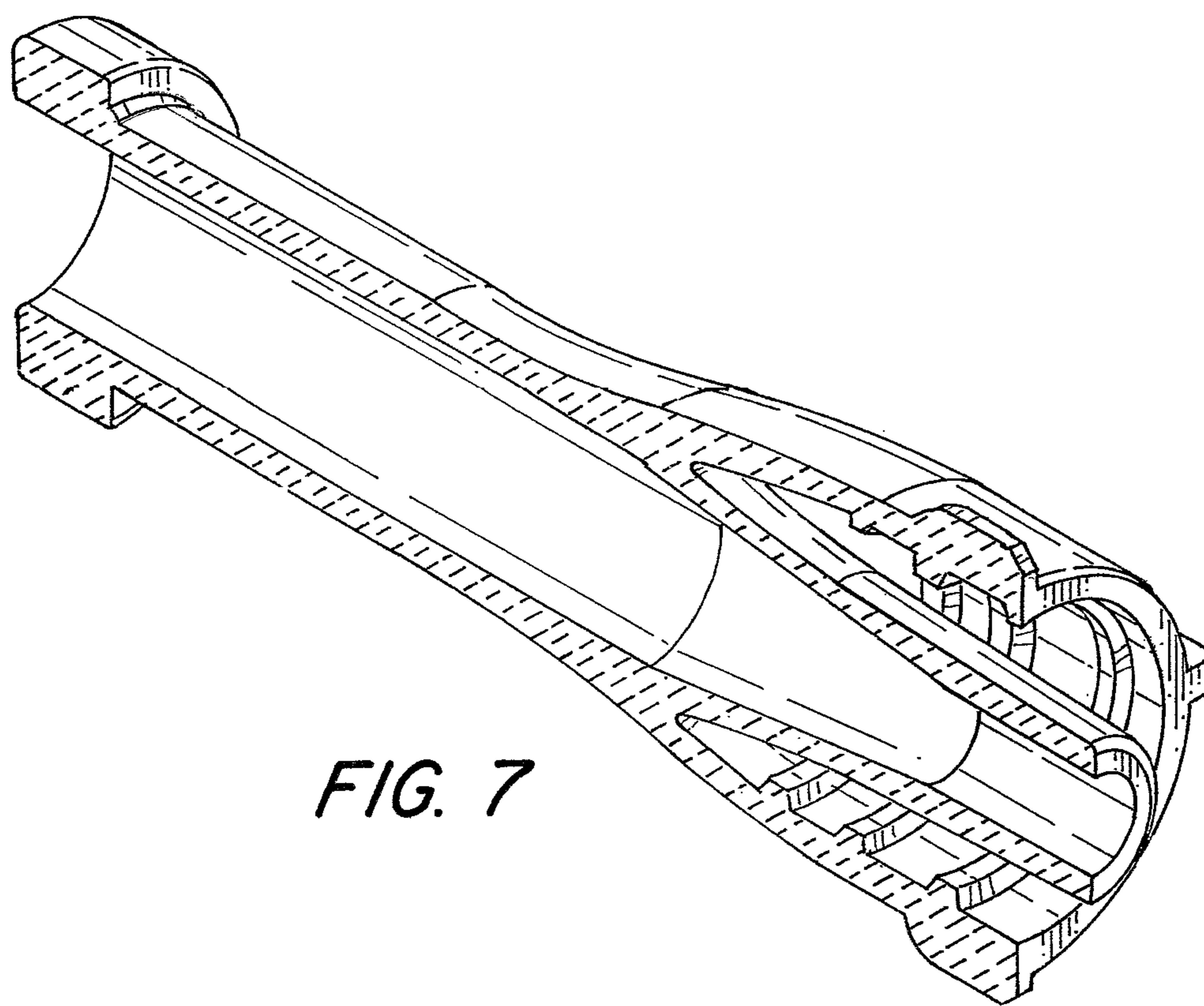


FIG. 7