



US00D683452S

(12) **United States Design Patent**
Davies et al.

(10) **Patent No.:** **US D683,452 S**
(45) **Date of Patent:** **** May 28, 2013**

(54) **ELECTROSURGICAL DEVICE HANDLE**

(75) Inventors: **Gareth Davies**, Toronto (CA); **Ellen Harfield**, Mississauga (CA); **Mahmood Mirza**, North York (CA)

(73) Assignee: **Baylis Medical Company Inc.**, Montreal (CA)

(**) Term: **14 Years**

(21) Appl. No.: **29/424,606**

(22) Filed: **Jun. 13, 2012**

Related U.S. Application Data

(62) Division of application No. 29/394,865, filed on Jun. 22, 2011, now Pat. No. Des. 662,588.

(51) **LOC (9) Cl.** **24-02**

(52) **U.S. Cl.**
USPC **D24/144**

(58) **Field of Classification Search**
USPC ... D24/133, 138, 140, 144, 146-147; 606/37, 606/40-46, 34, 48-50
See application file for complete search history.

(56) **References Cited**

U.S. PATENT DOCUMENTS

703,369	A *	7/1902	Batcheller	606/49
D351,227	S *	10/1994	Patton et al.	D24/133
D433,752	S *	11/2000	Saravia	D24/144
D457,628	S *	5/2002	Eggers et al.	D24/144
D457,960	S *	5/2002	Eggers et al.	D24/144
6,610,054	B1 *	8/2003	Edwards et al.	606/41
D549,327	S	8/2007	Aparici et al.		
7,534,242	B2 *	5/2009	Buehlmann et al.	606/41
D626,222	S *	10/2010	Studenece	D24/133
7,846,159	B2 *	12/2010	Morrison et al.	606/45

OTHER PUBLICATIONS

Transseptal Needles. TZ Medical, 2011 [retrieved on Sep. 12, 2011]. Retrieved from the Internet: <URL:http://www.tzmedical.com/product.php?product_id=34>.

Examiner's Amendment for U.S. Appl. No. 29/394,865 dated Feb 21, 2012.

Response to Examiner's Amendment for U.S. Appl. No. 29/394,865 dated May 21, 2012.

* cited by examiner

Primary Examiner — Wan Laymon

(74) *Attorney, Agent, or Firm* — Nir Lifshitz; Glenn Arnold

(57) **CLAIM**

The ornamental design for an electrosurgical device handle, as shown and described.

DESCRIPTION

FIG. 1 is a front perspective view of an electrosurgical device handle, showing our new design;

FIG. 2 is a rear perspective view of the electrosurgical device handle of FIG. 1 in an inverted position;

FIG. 3 is a top side view of the electrosurgical device handle of FIG. 1;

FIG. 4 is a bottom side view of the electrosurgical device handle of FIG. 1;

FIG. 5 is a left side view of the electrosurgical device handle of FIG. 1;

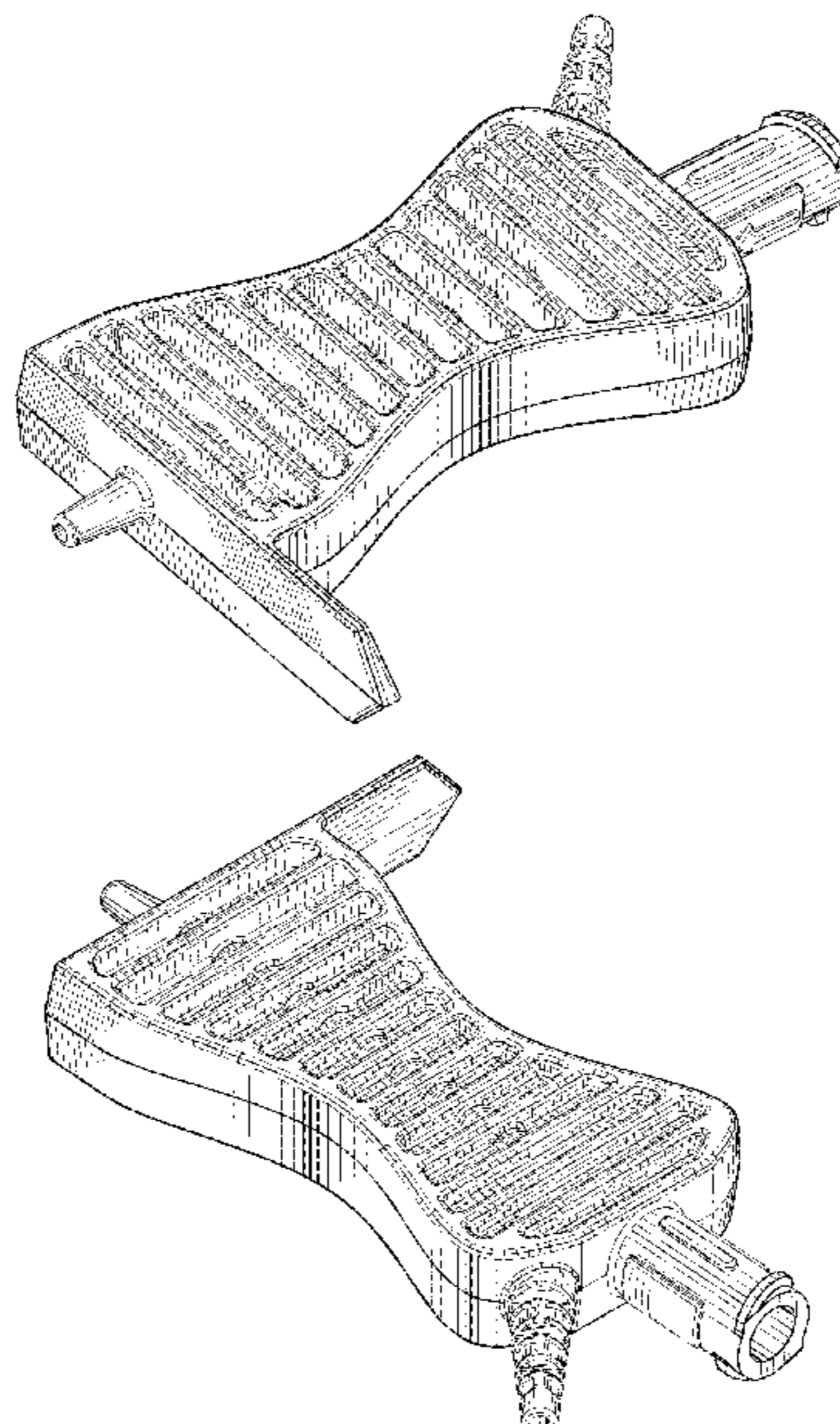
FIG. 6 is a right side view of the electrosurgical device handle of FIG. 1 in an inverted position;

FIG. 7 is a front side view of the electrosurgical device handle of FIG. 1; and,

FIG. 8 is a rear side view of the electrosurgical device handle of FIG. 1.

The broken lines shown in FIG. 8 represent portions of the electrosurgical device handle that form no part of the claimed design.

1 Claim, 4 Drawing Sheets



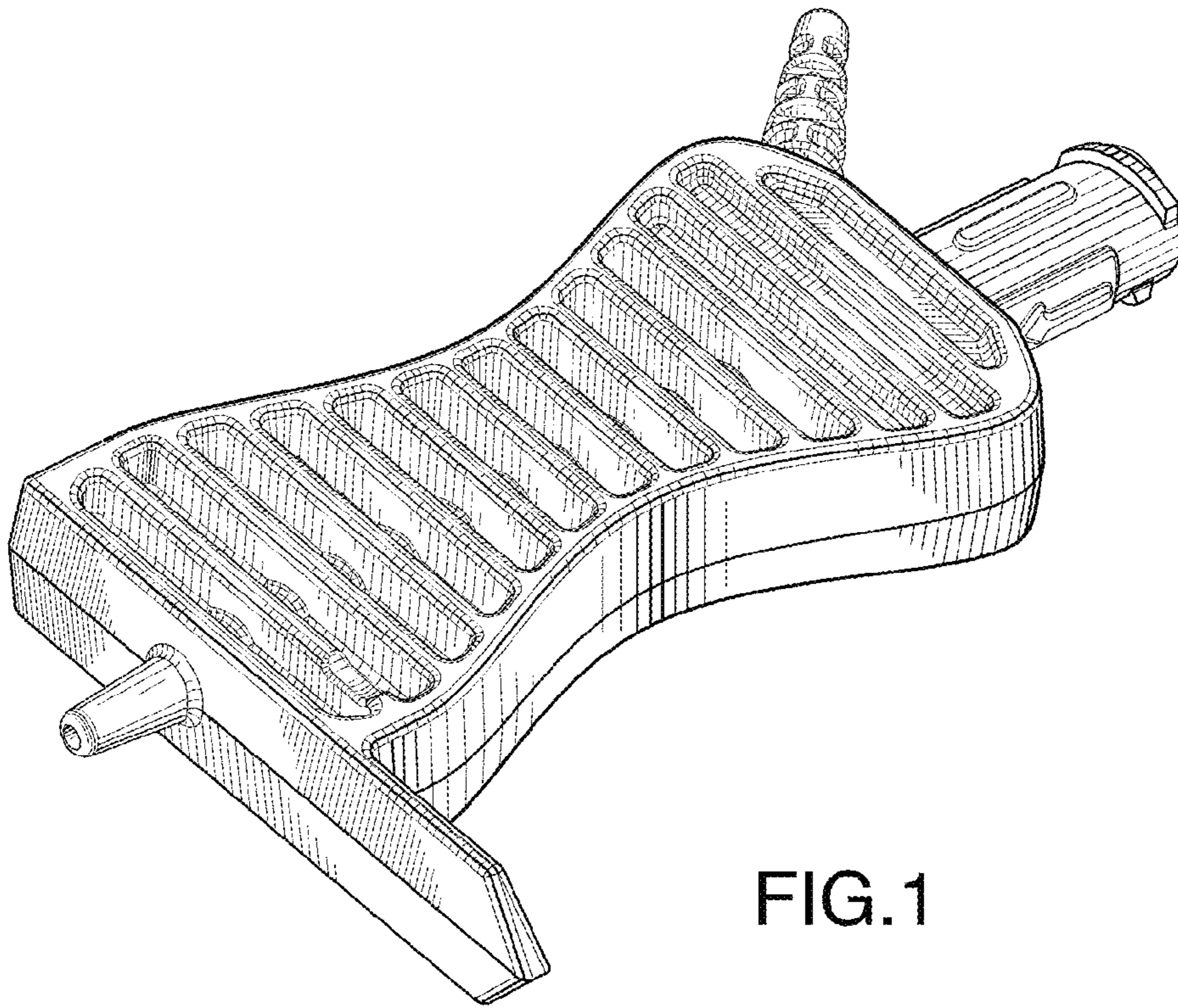


FIG. 1

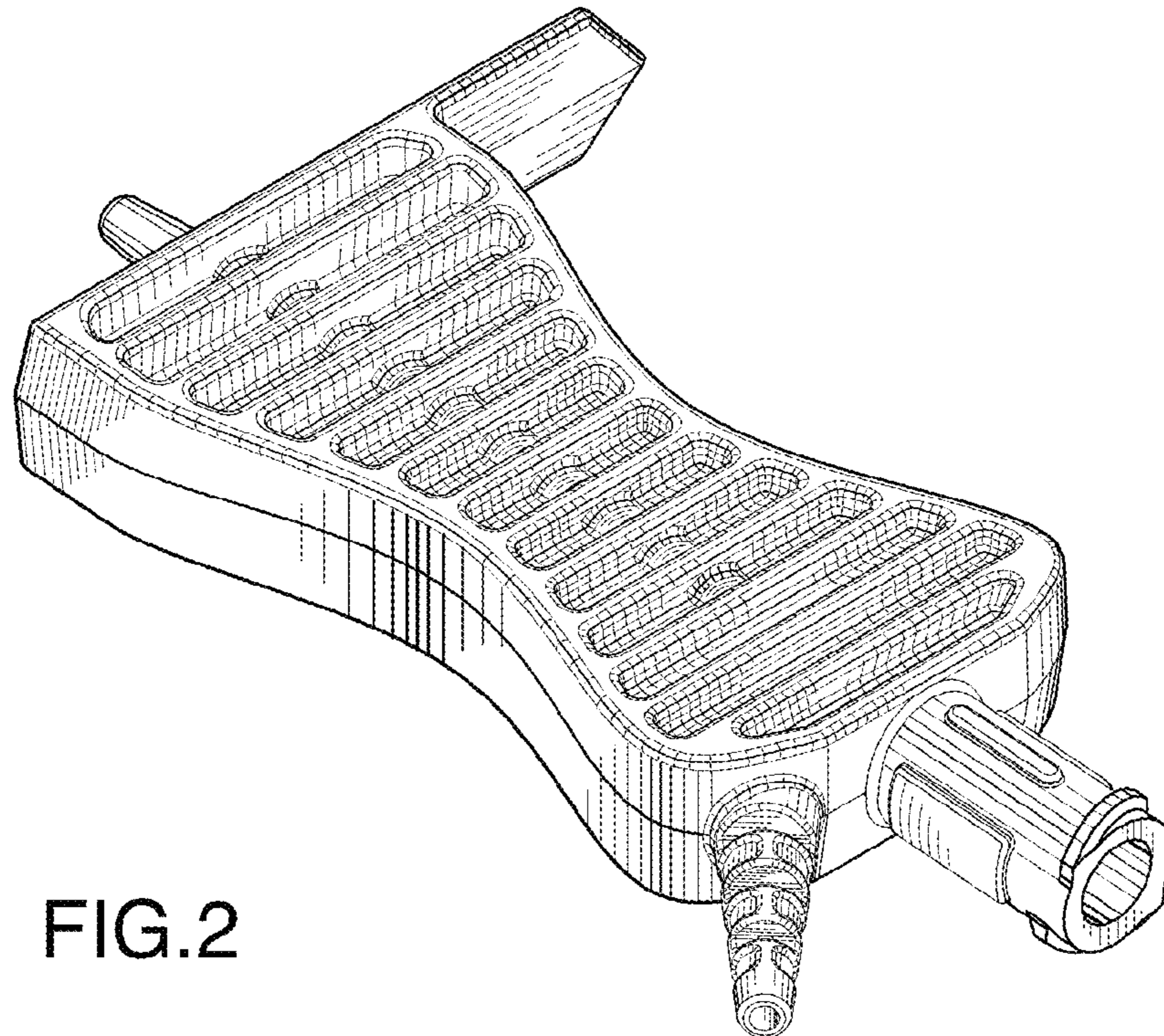


FIG. 2

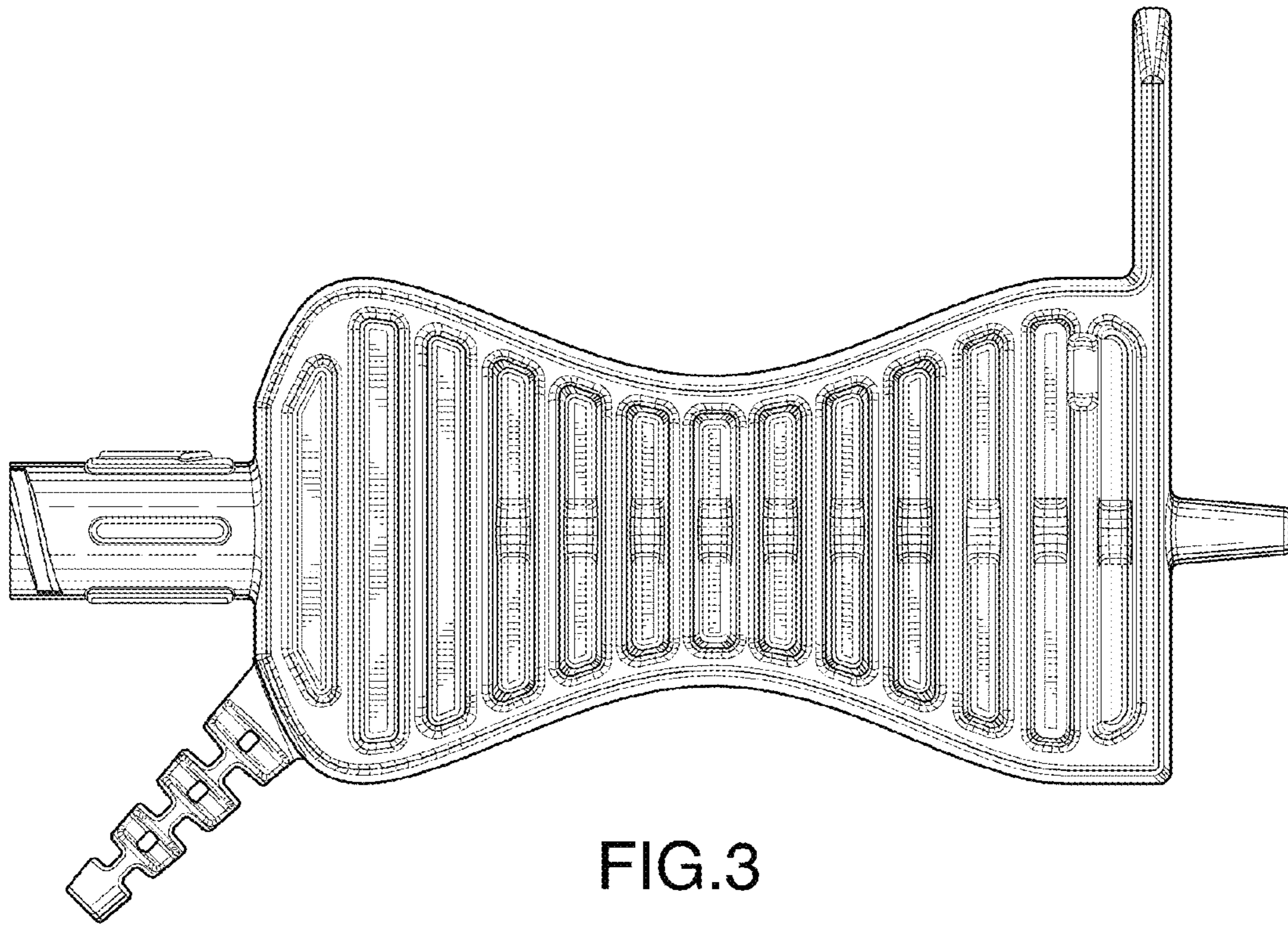


FIG. 3

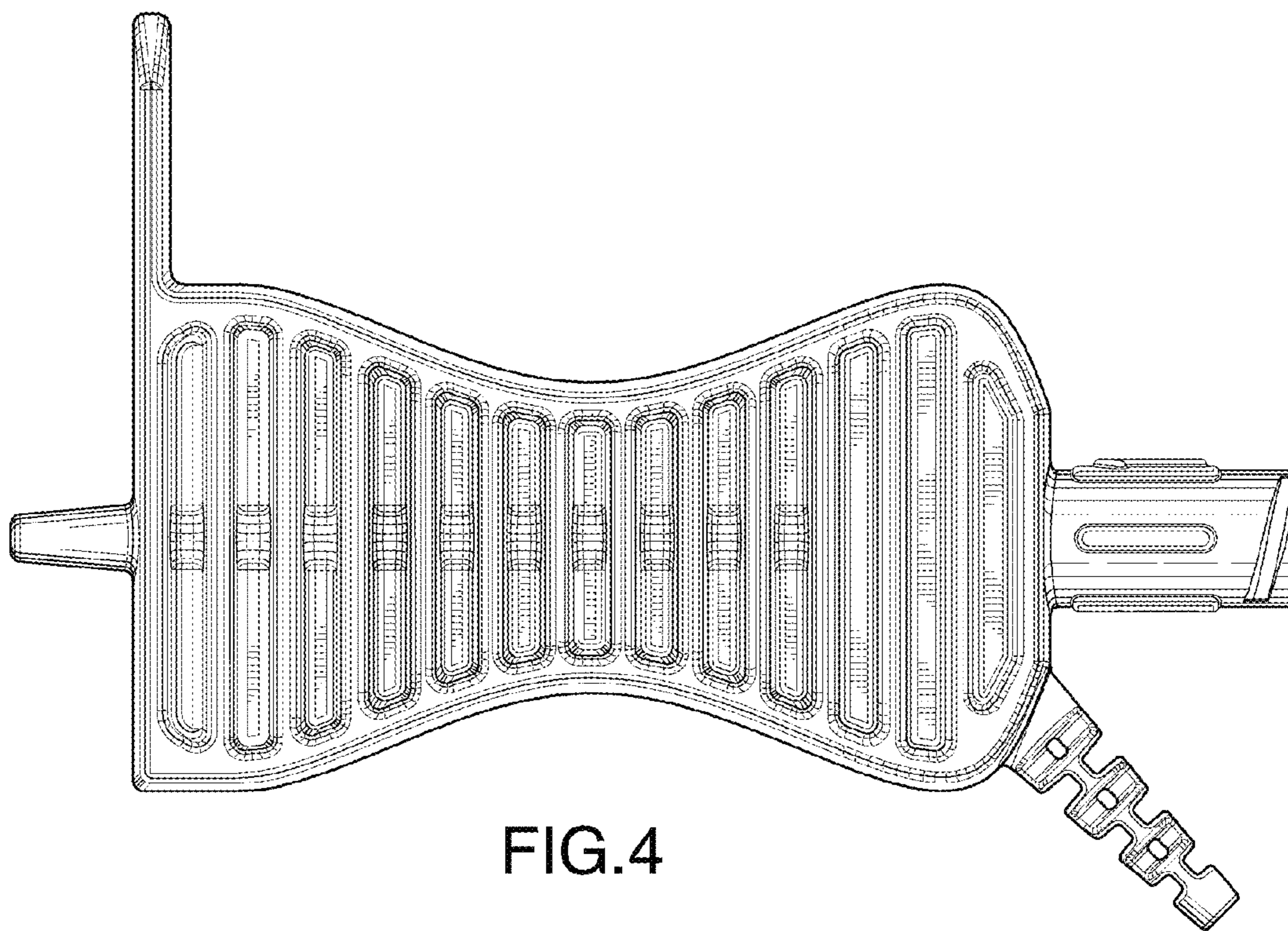


FIG. 4

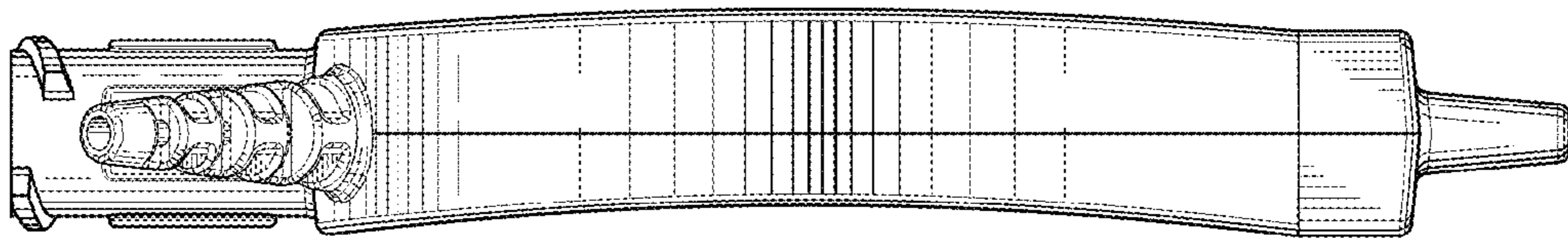


FIG. 5

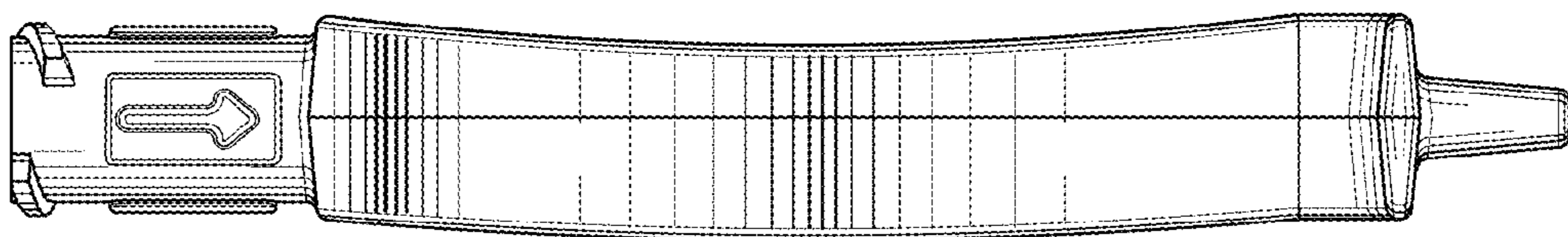


FIG. 6

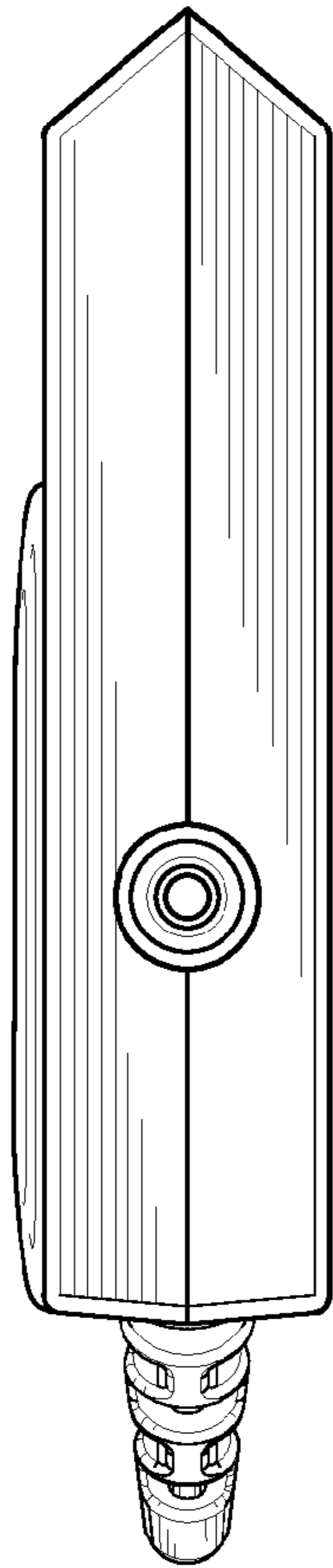


FIG. 7

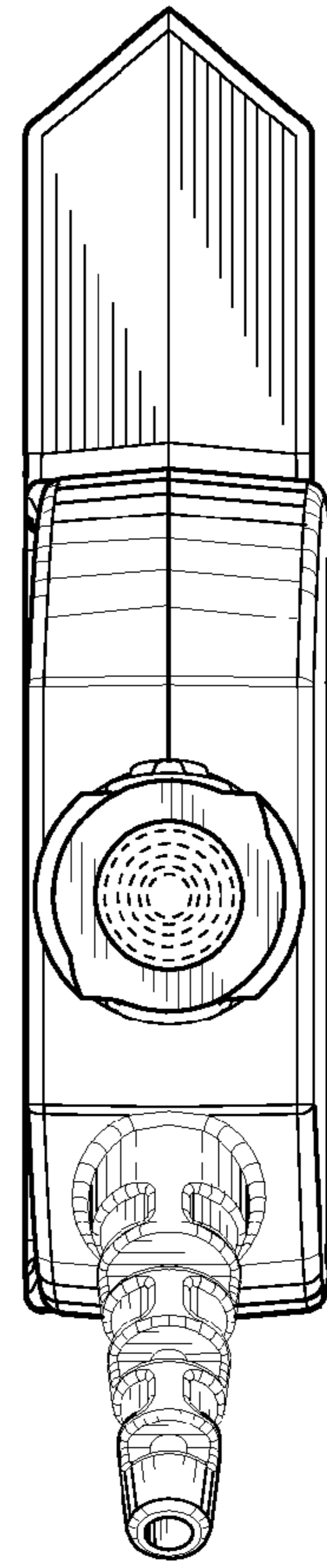


FIG. 8