

US00D683451S

(12) **United States Design Patent**
Todd et al.

(10) **Patent No.:** **US D683,451 S**

(45) **Date of Patent:** **** May 28, 2013**

(54) **CONVEX BARRIER RING WITH TAPERED PERIPHERAL END PORTIONS FOR OSTOMY APPLIANCE**

6,508,794 B1 1/2003 Palumbo et al.
6,551,292 B1 4/2003 D'Acchioli et al.
6,569,134 B1 5/2003 Leise, Jr. et al.
6,673,056 B2 1/2004 Metz et al.
6,796,974 B2 9/2004 Palumbo et al.
6,916,312 B2 7/2005 Kondo et al.

(75) Inventors: **Russell J. Todd**, Ingleside, IL (US);
Brock E. Masters, Toronto (CA)

(Continued)

(73) Assignee: **Hollister Incorporated**, Libertyville, IL (US)

FOREIGN PATENT DOCUMENTS

DE 20307688 U1 7/2003
EP 1275357 A2 1/2003
JP 07289574 A 11/1995

(**) Term: **14 Years**

OTHER PUBLICATIONS

(21) Appl. No.: **29/386,963**

Advertisement for Nu-Comfort Skin Barrier Pouches by Nu-Hope Laboratories, Inc. of Pacoima, CA published in Ostomy Quarterly, vol. 35, No. 1, Fall 1997.

(22) Filed: **Mar. 7, 2011**

(51) **LOC (9) Cl.** **24-02**

(52) **U.S. Cl.**
USPC **D24/127; D24/118**

(Continued)

(58) **Field of Classification Search**
USPC D24/127, 118, 108, 128, 111; 604/338, 604/342, 317, 327, 408, 403, 108, 339, 92, 604/415, 410, 332, 333; 128/DIG. 24; 383/22, 383/23, 35; D9/707, 709, 696; 206/219; D18/56; D23/254

Primary Examiner — David Muller
(74) *Attorney, Agent, or Firm* — Levenfeld Pearlstein, LLC

See application file for complete search history.

(57) **CLAIM**
The ornamental design for a convex barrier ring with tapered peripheral end portions for ostomy appliances, as shown and described.

(56) **References Cited**

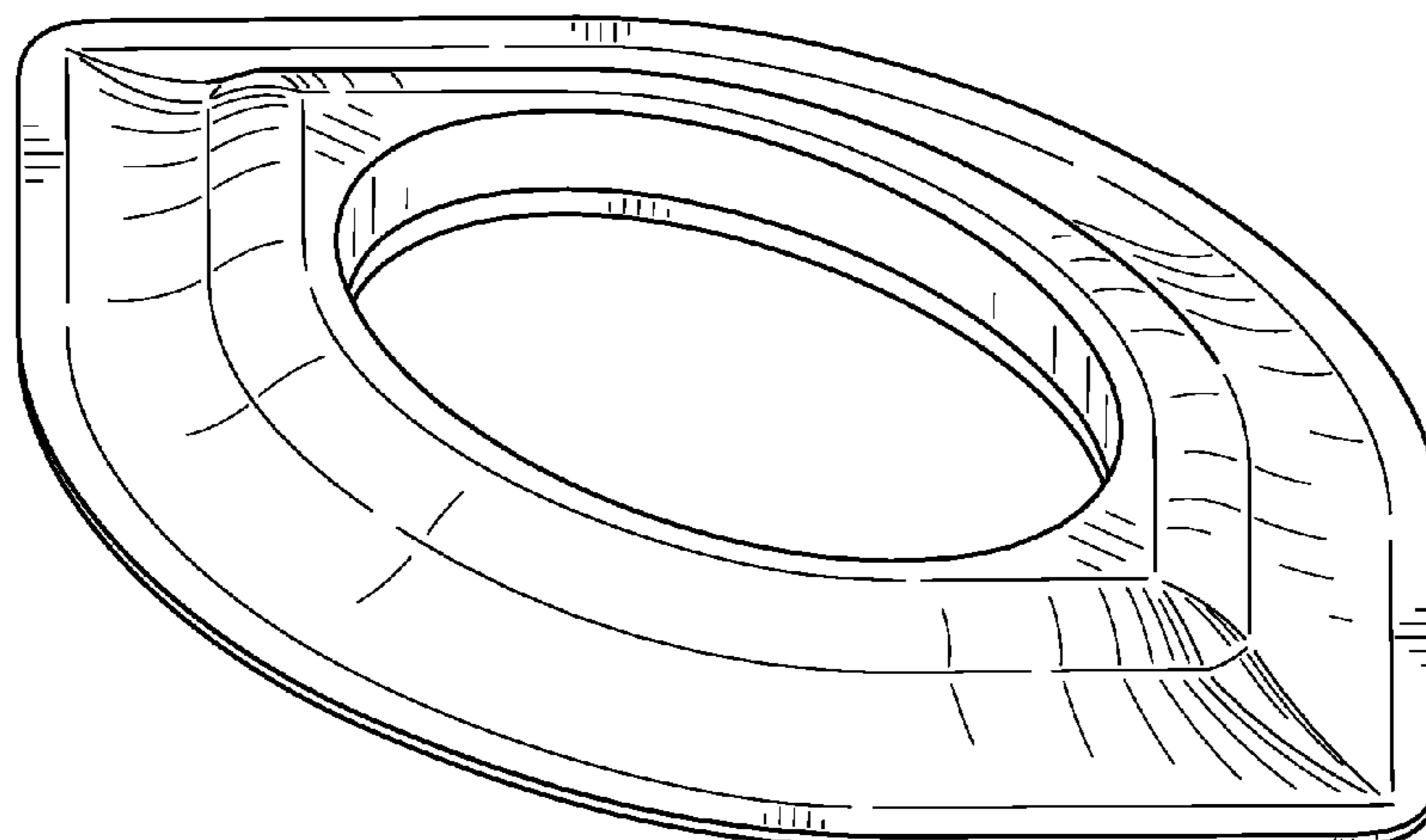
DESCRIPTION

U.S. PATENT DOCUMENTS

3,557,790 A 1/1971 Hauser
3,690,320 A * 9/1972 Riely 604/333
D257,063 S * 9/1980 Galindo D24/127
D345,418 S * 3/1994 Fenton D24/118
D379,654 S * 6/1997 Holtermann D24/118
D398,990 S * 9/1998 Briggs et al. D24/118
D402,008 S * 12/1998 Hill et al. D23/254
6,033,390 A 3/2000 Von Dyck
6,135,986 A 10/2000 Leisner et al.
6,350,255 B1 2/2002 Von Dyck
D460,550 S * 7/2002 Falconer D24/118
6,464,674 B1 10/2002 Palumbo et al.
6,485,476 B1 11/2002 Von Dyck et al.
6,491,673 B1 12/2002 Palumbo et al.

FIG. 1 is a top, front perspective view of a convex barrier ring with tapered peripheral end portions for ostomy appliances embodying our new design;
FIG. 2 is a front view thereof;
FIG. 3 is a rear view thereof;
FIG. 4 is a side view thereof as seen from the right-hand side of FIG. 2;
FIG. 5 is a side view thereof as seen from the left-hand side of FIG. 2;
FIG. 6 is a top view thereof; and,
FIG. 7 is a bottom view thereof.

1 Claim, 3 Drawing Sheets



US D683,451 S

Page 2

U.S. PATENT DOCUMENTS

6,926,701 B2 8/2005 Burns, Jr. et al.
D516,212 S * 2/2006 Persson et al. D24/128
7,087,041 B2 8/2006 Von Dyck et al.
7,101,357 B2 9/2006 Tanaka et al.
D533,660 S * 12/2006 Persson et al. D24/128
D534,249 S * 12/2006 Gilbert D23/254
7,341,578 B2 3/2008 Bulow et al.
7,422,578 B2 * 9/2008 Shan et al. 604/342
D581,490 S * 11/2008 Painter D23/254
7,586,019 B2 9/2009 Oelund et al.
D607,559 S * 1/2010 Schena D24/118
7,927,320 B2 4/2011 Goldwasser et al.
7,931,631 B2 4/2011 Pedersen et al.
2003/0171737 A1 9/2003 Leise, Jr. et al.
2004/0087920 A1 5/2004 Etheredge, III
2004/0106908 A1 6/2004 Leise, Jr. et al.
2005/0177119 A1 8/2005 Tsai

2007/0191794 A1 8/2007 Cline et al.
2007/0255240 A1 11/2007 Ciok
2008/0154220 A1 6/2008 Gaffney
2008/0319368 A1 12/2008 Lykke et al.
2009/0043271 A1 2/2009 Winther
2009/0227972 A1 9/2009 Pino Aragones
2009/0234312 A1 9/2009 O'Toole et al.
2009/0311307 A1 12/2009 Lykke
2010/0022933 A1 1/2010 Oelund et al.

OTHER PUBLICATIONS

Advertisement for Ileostomy, Colostomy, Ileal Bladder, and Ureterostomy Custom-Fabricated Appliances, Faceplates and Pouches by the Perma-Type Company, Inc. of Plainville, CT published in Ostomy Quarterly, vol. 35, No. 2, Winter 1998.

* cited by examiner

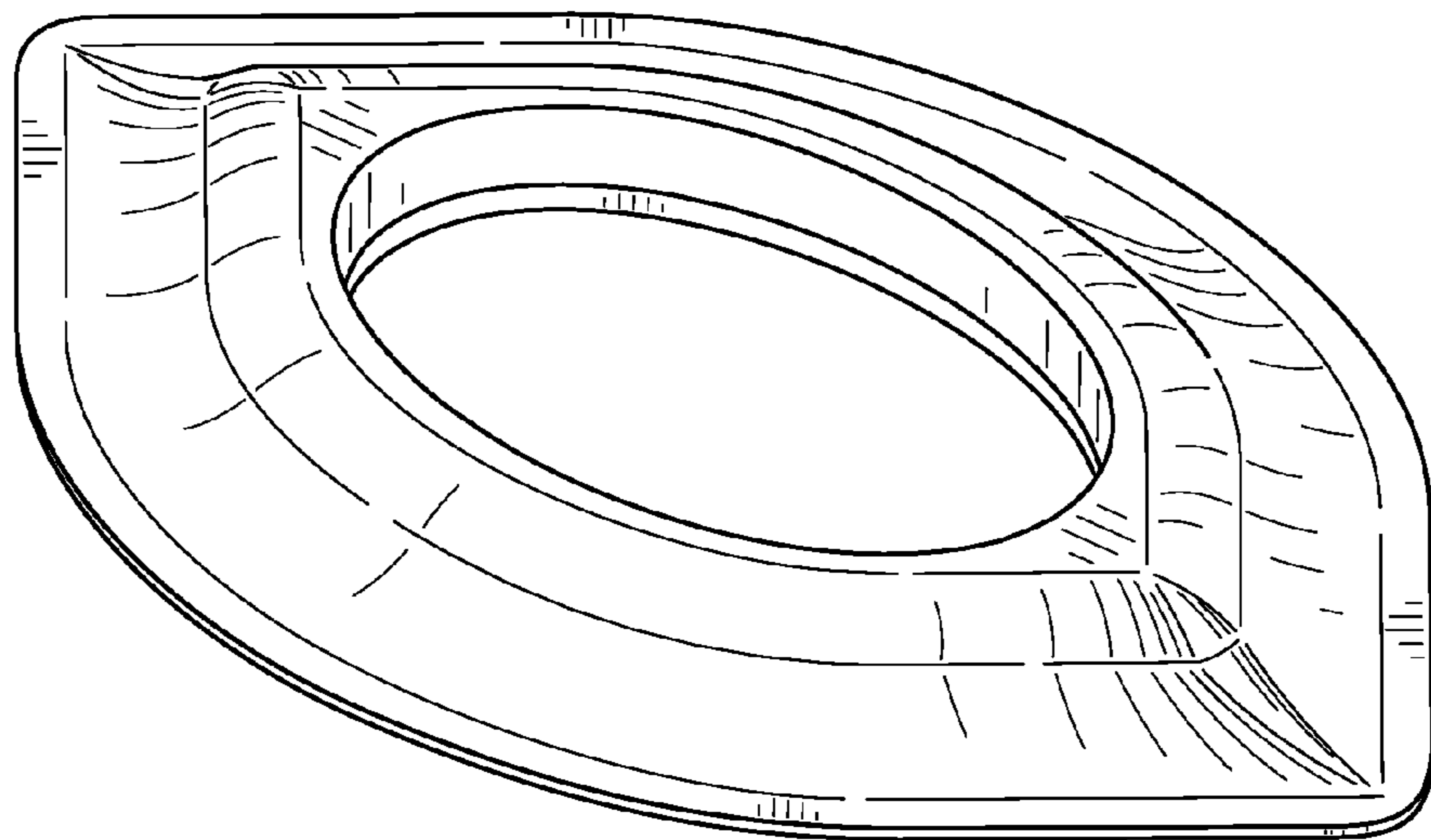


FIG. 1

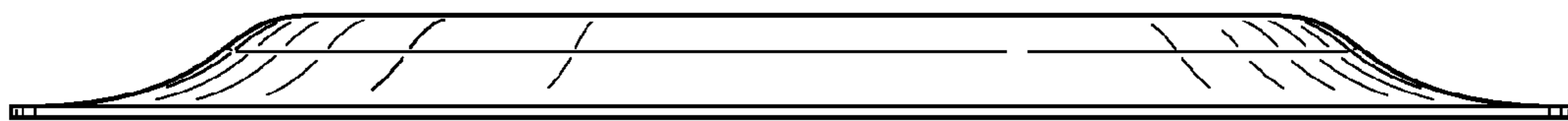


FIG. 2

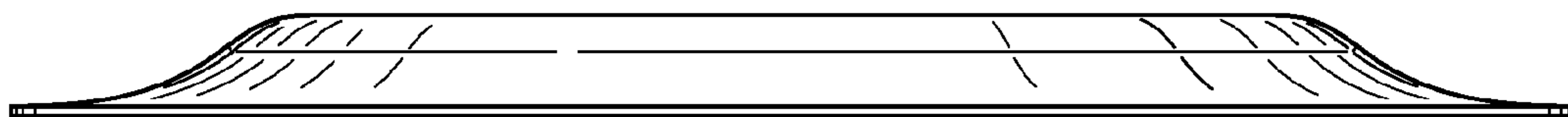


FIG. 3

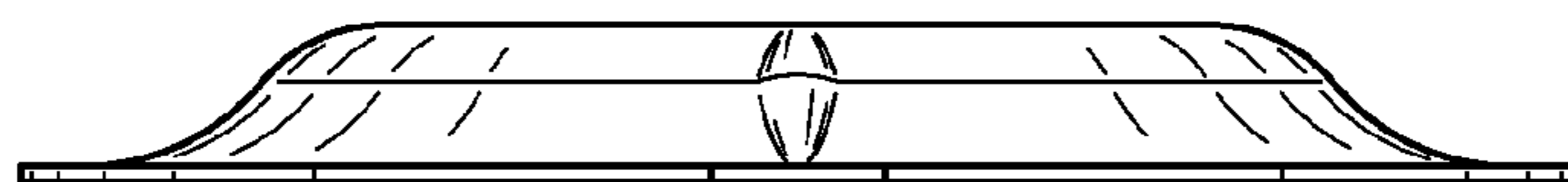


FIG. 4



FIG. 5

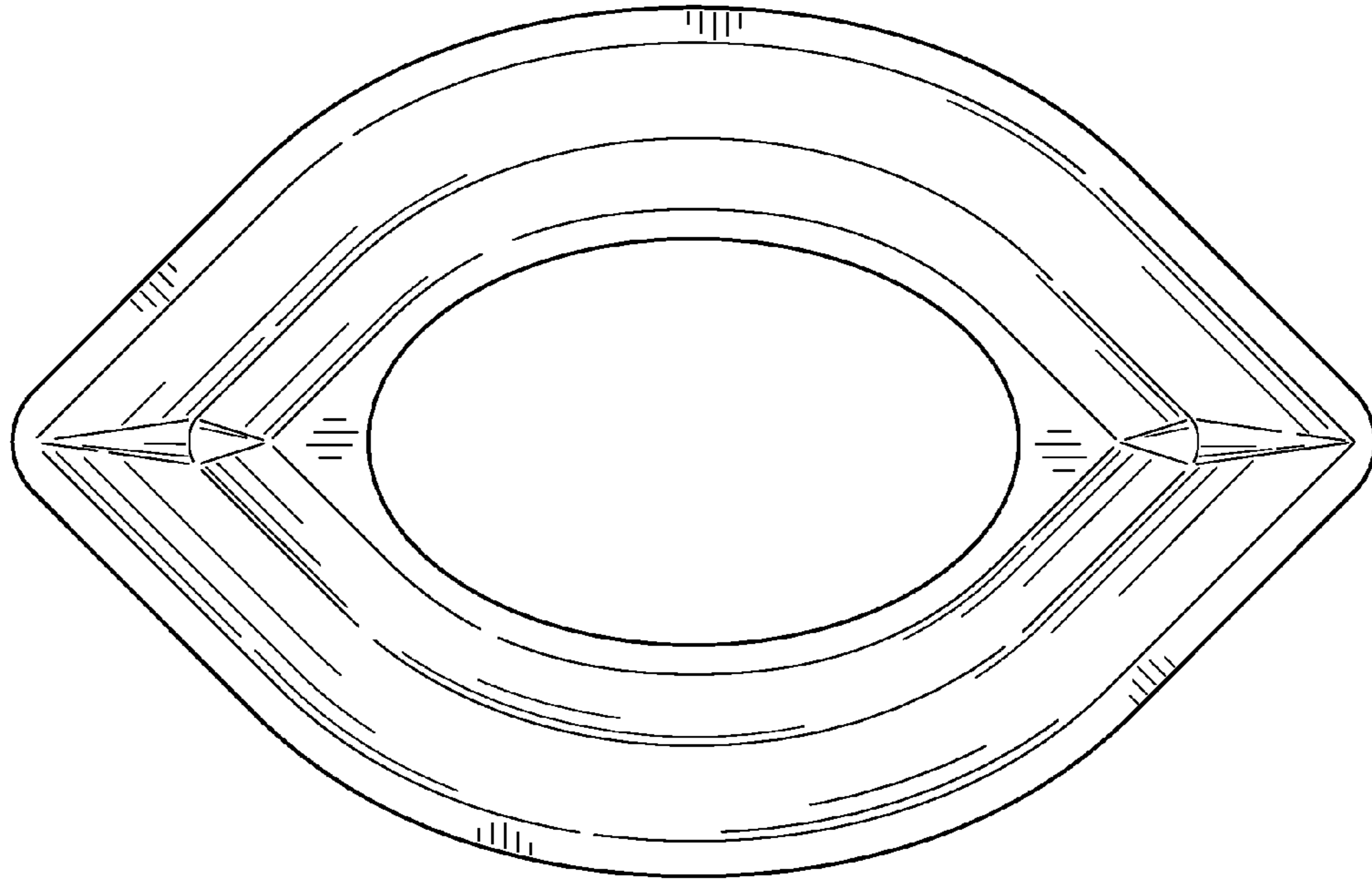


FIG. 6

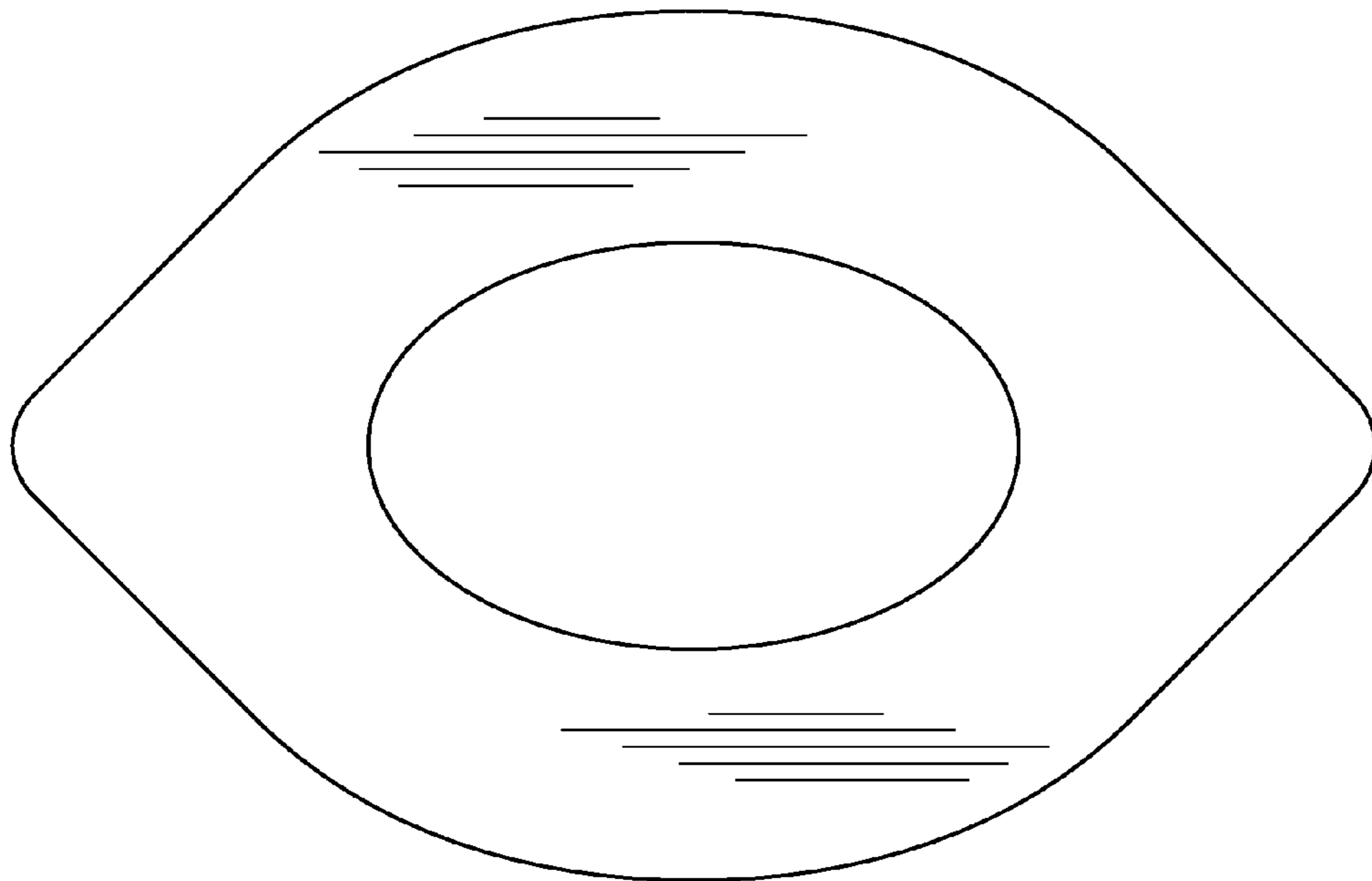


FIG. 7