



US00D683442S

(12) **United States Design Patent**
Cudworth

(10) **Patent No.:** **US D683,442 S**
(45) **Date of Patent:** **** May 28, 2013**

(54) **INSERT FOR A BREAST PUMP**
(75) Inventor: **Nicholas Cudworth**, Pittington (GB)
(73) Assignee: **Jackel International Limited**,
Cramlington Northumberland (GB)

(**) Term: **14 Years**
(21) Appl. No.: **29/370,182**
(22) Filed: **Jun. 14, 2010**

(30) **Foreign Application Priority Data**
Dec. 15, 2009 (EM) 001185342-0003
(51) **LOC (9) Cl.** **24-02**
(52) **U.S. Cl.**
USPC **D24/109**
(58) **Field of Classification Search** D24/109;
604/74-76
See application file for complete search history.

(56) **References Cited**

U.S. PATENT DOCUMENTS

4,772,262 A 9/1988 Grant et al.
4,794,915 A 1/1989 Larsson
4,799,922 A 1/1989 Beer et al.
5,049,126 A 9/1991 Larsson
5,100,406 A 3/1992 Panchula
5,885,246 A 3/1999 Ford
5,941,847 A 8/1999 Huber et al.
6,273,868 B1* 8/2001 Nordvik 604/74
D456,897 S* 5/2002 Atkin et al. D24/109
6,461,324 B1 10/2002 Schlensog
6,579,258 B1 6/2003 Atkin et al.
D484,236 S 12/2003 Renz et al.
6,663,587 B2 12/2003 Silver et al.
D485,614 S 1/2004 Renz et al.
D486,223 S 2/2004 Robson et al.

D496,725 S 9/2004 Myers et al.
6,840,918 B1 1/2005 Britto et al.
6,887,218 B2 5/2005 Warburton
7,101,350 B2 9/2006 Ytteborg
7,166,087 B2 1/2007 Silver et al.
D564,656 S* 3/2008 Matsutori et al. D24/109
7,354,418 B2 4/2008 Lee et al.
7,381,197 B2 6/2008 Kelly et al.
7,396,339 B2 7/2008 Britto et al.
7,682,334 B2* 3/2010 Greter et al. 604/74
2003/0004459 A1 1/2003 McKendry et al.
2003/0139703 A1 7/2003 Burkett et al.
2003/0149398 A1 8/2003 Renz et al.
2005/0256449 A1 11/2005 Tashiro
2008/0208115 A1 8/2008 Kliegman
2008/0243061 A1 10/2008 Britto et al.

FOREIGN PATENT DOCUMENTS

WO WO 02/17993 3/2002
WO WO 2004/058330 7/2004

* cited by examiner

Primary Examiner — Ian Simmons
Assistant Examiner — Richelle Shelton
(74) *Attorney, Agent, or Firm* — Olson & Cepuritis, Ltd.

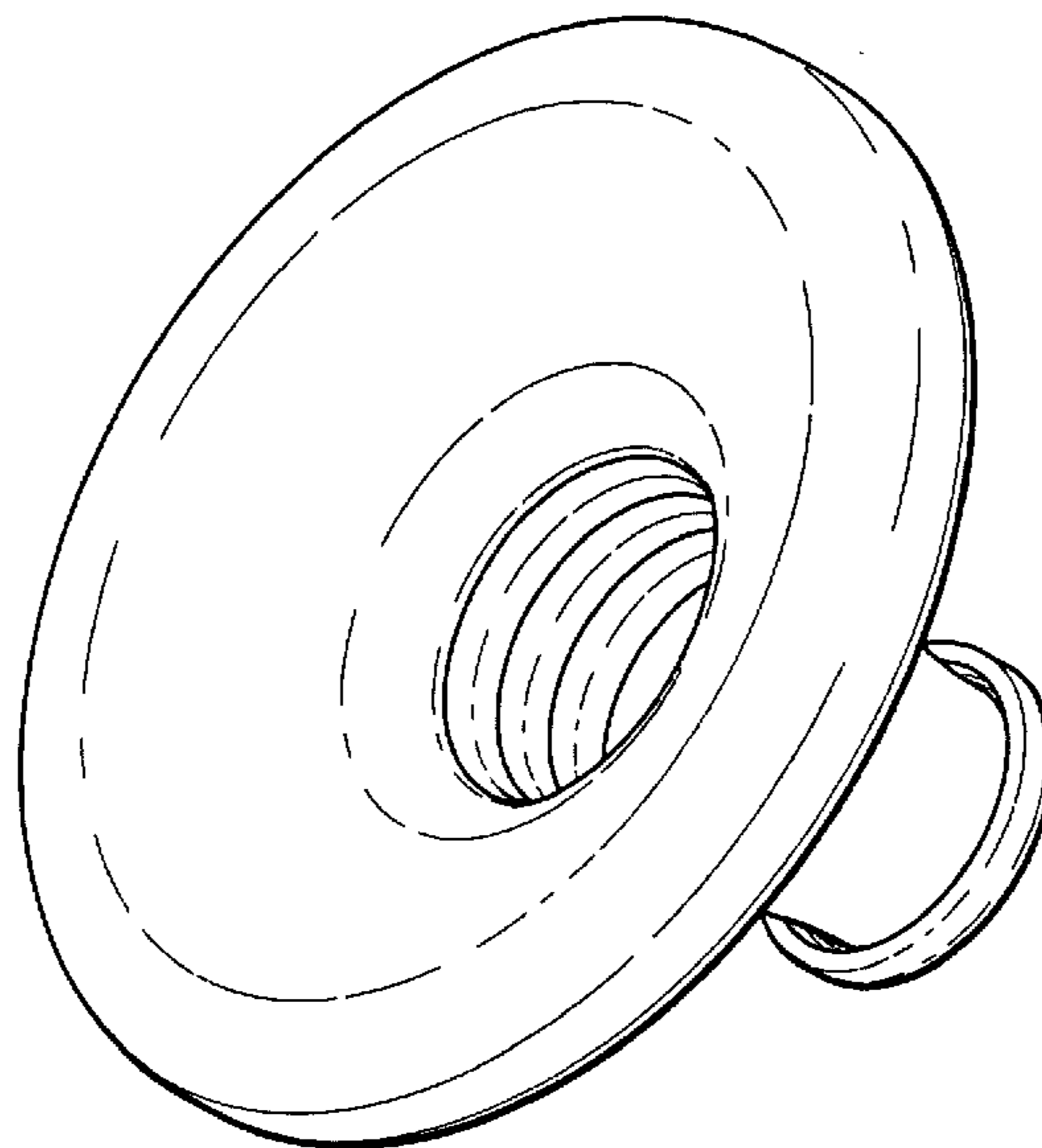
(57) **CLAIM**

The ornamental design for an insert for a breast pump, as shown and described.

DESCRIPTION

FIG. 1 is a perspective view of an embodiment of the insert for a breast pump;
FIG. 2 is a front elevation view of the embodiment of the insert for a breast pump shown in FIG. 1;
FIG. 3 is a back elevation view of the embodiment of the insert for a breast pump shown in FIG. 1; and,
FIG. 4 is a side elevation view of the insert for a breast pump shown in FIG. 1, wherein both sides of the bottle are identical.

1 Claim, 4 Drawing Sheets



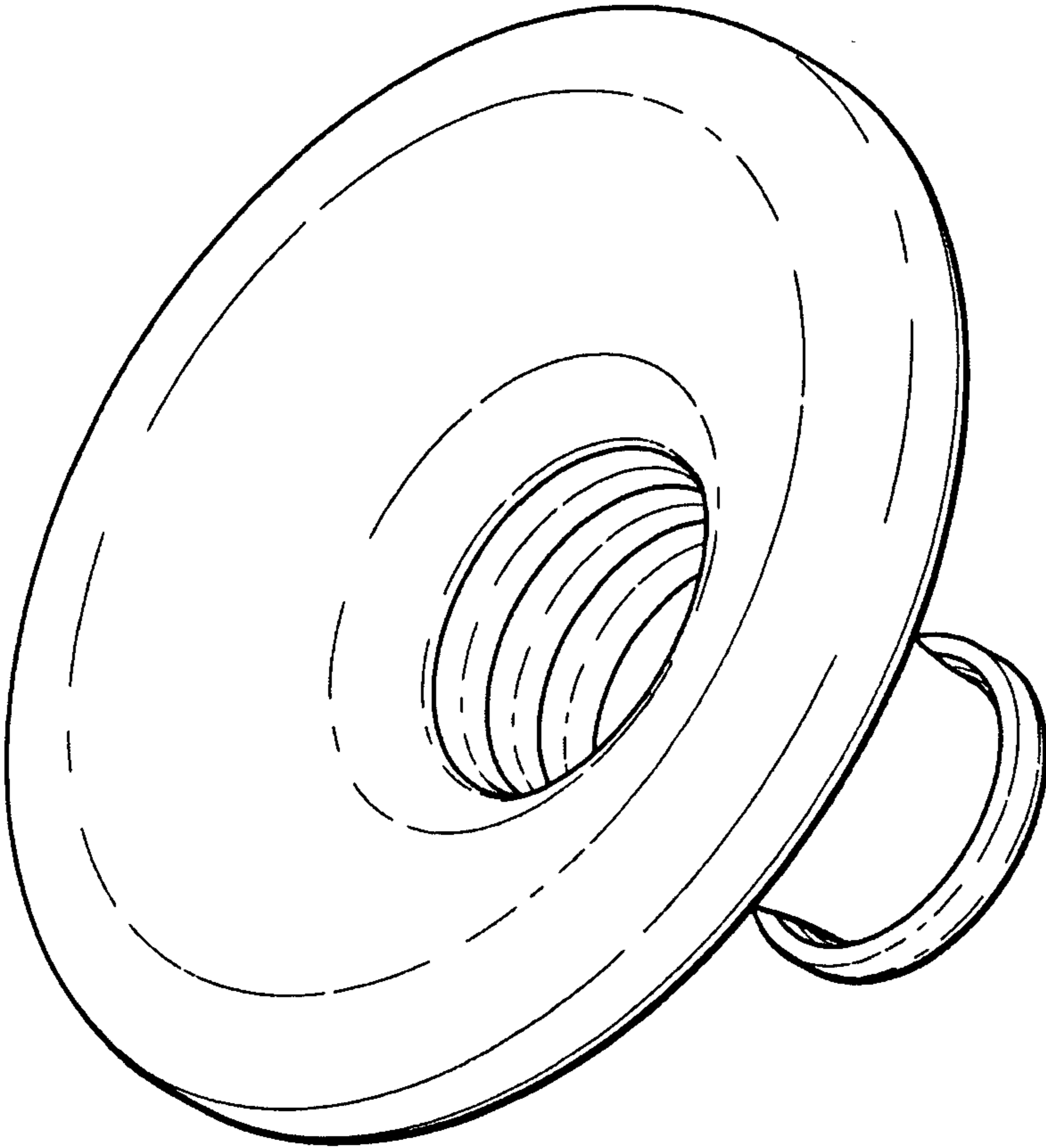


FIG. 1

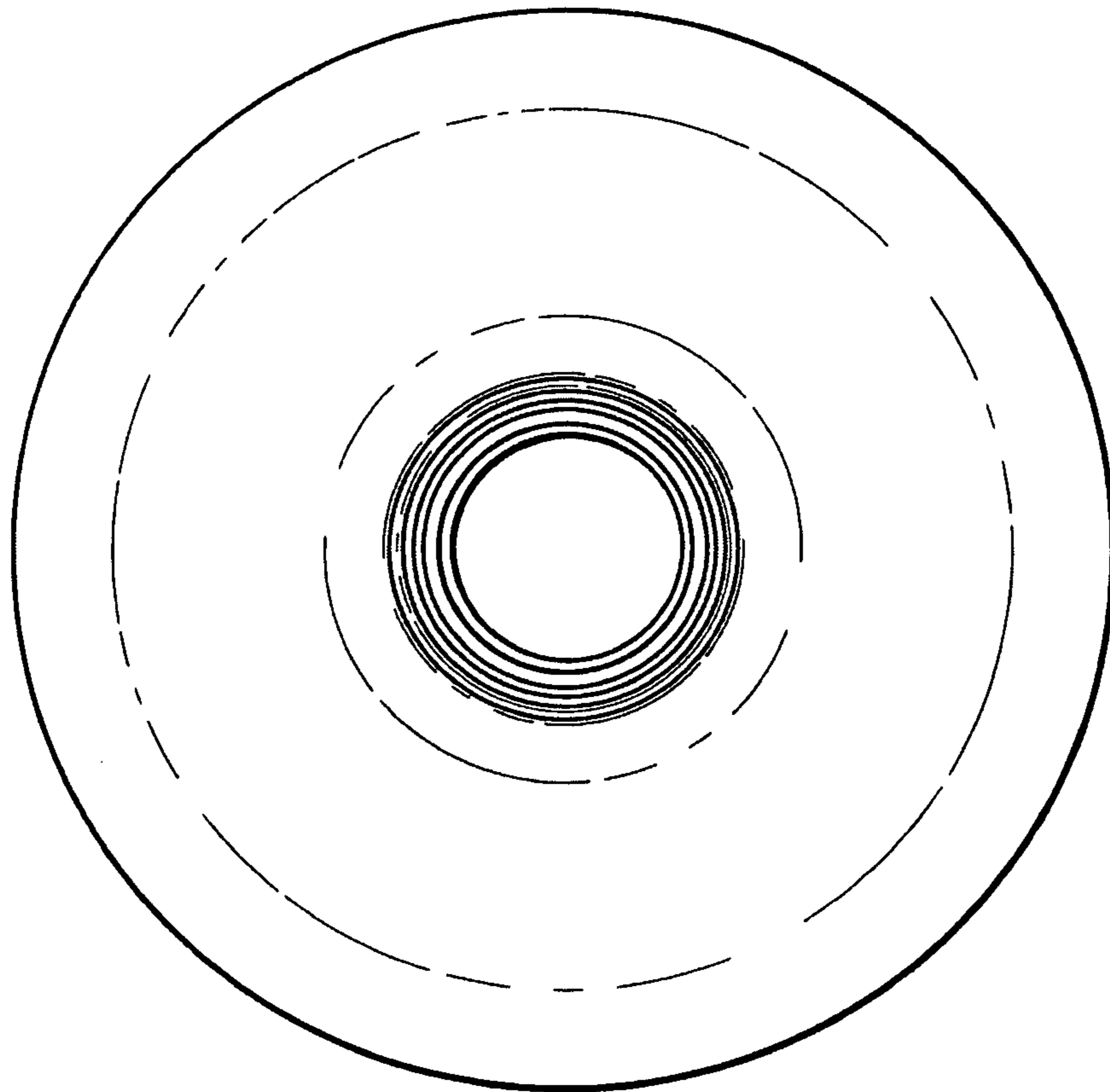


FIG. 2

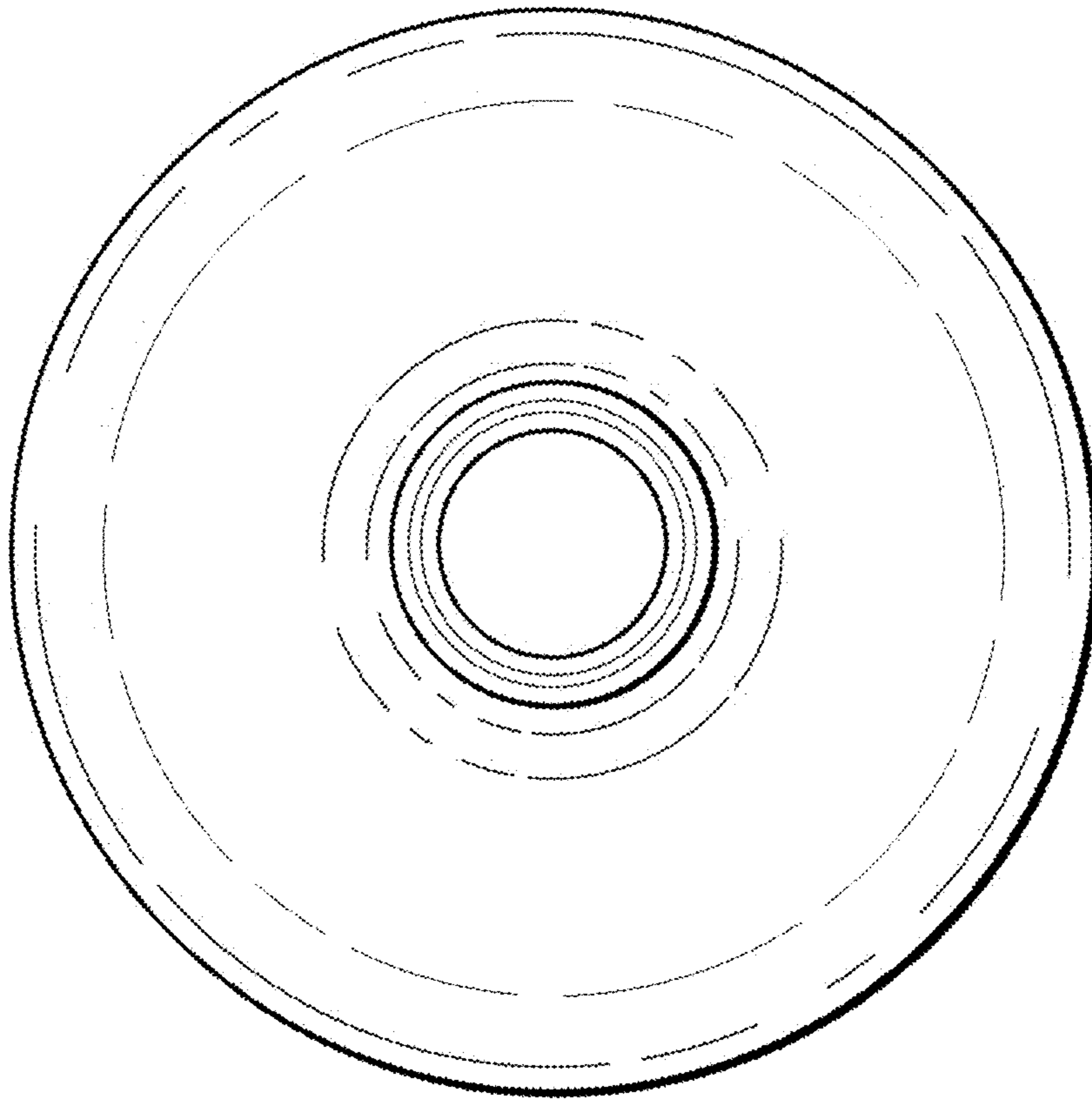


FIG. 3

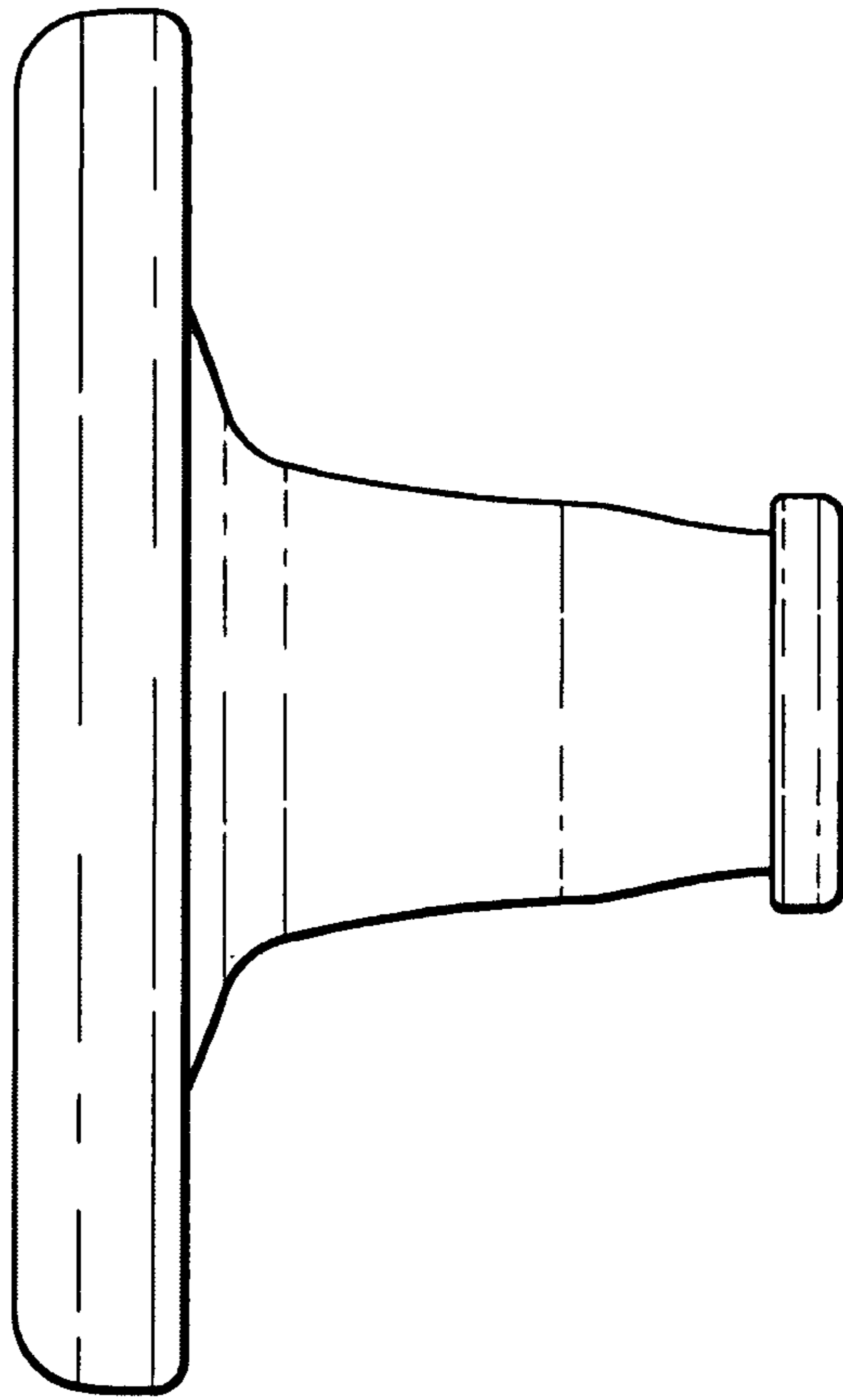


FIG. 4