



US00D683436S

(12) **United States Design Patent**
Feliciano

(10) **Patent No.:** **US D683,436 S**

(45) **Date of Patent:** **** May 28, 2013**

(54) **BATHTUB OVERFLOW DRAIN COVER**

(71) Applicant: **Carlos Feliciano**, Orlando, FL (US)

(72) Inventor: **Carlos Feliciano**, Orlando, FL (US)

(**) Term: **14 Years**

(21) Appl. No.: **29/442,031**

(22) Filed: **Nov. 17, 2012**

Related U.S. Application Data

(62) Division of application No. 29/372,731, filed on Jan. 4, 2011, now Pat. No. Des. 673,656.

(51) **LOC (9) Cl.** **23-01**

(52) **U.S. Cl.**
USPC **D23/261**

(58) **Field of Classification Search** D23/260–261;
4/290–295, 694; 340/618
See application file for complete search history.

(56) **References Cited**

U.S. PATENT DOCUMENTS

2,324,545 A * 7/1943 Svirsky 4/295
3,402,407 A * 9/1968 Andrews 4/293
D317,817 S * 6/1991 Stairs, Jr. D23/254

D372,519 S * 8/1996 Jones D23/261
5,661,462 A * 8/1997 Shrewsbury-Gee 340/618
D440,639 S * 4/2001 Donnelly D23/260
7,096,522 B2 * 8/2006 Hirtriter 4/694
D598,075 S * 8/2009 Uhl D23/261
2002/0047784 A1 * 4/2002 Dunnett 340/618
2004/0107497 A1 * 6/2004 Hirtriter 4/694
2010/0005581 A1 * 1/2010 McAlpine 4/291

* cited by examiner

Primary Examiner — Eric Goodman

(74) *Attorney, Agent, or Firm* — Elsie C. Turner

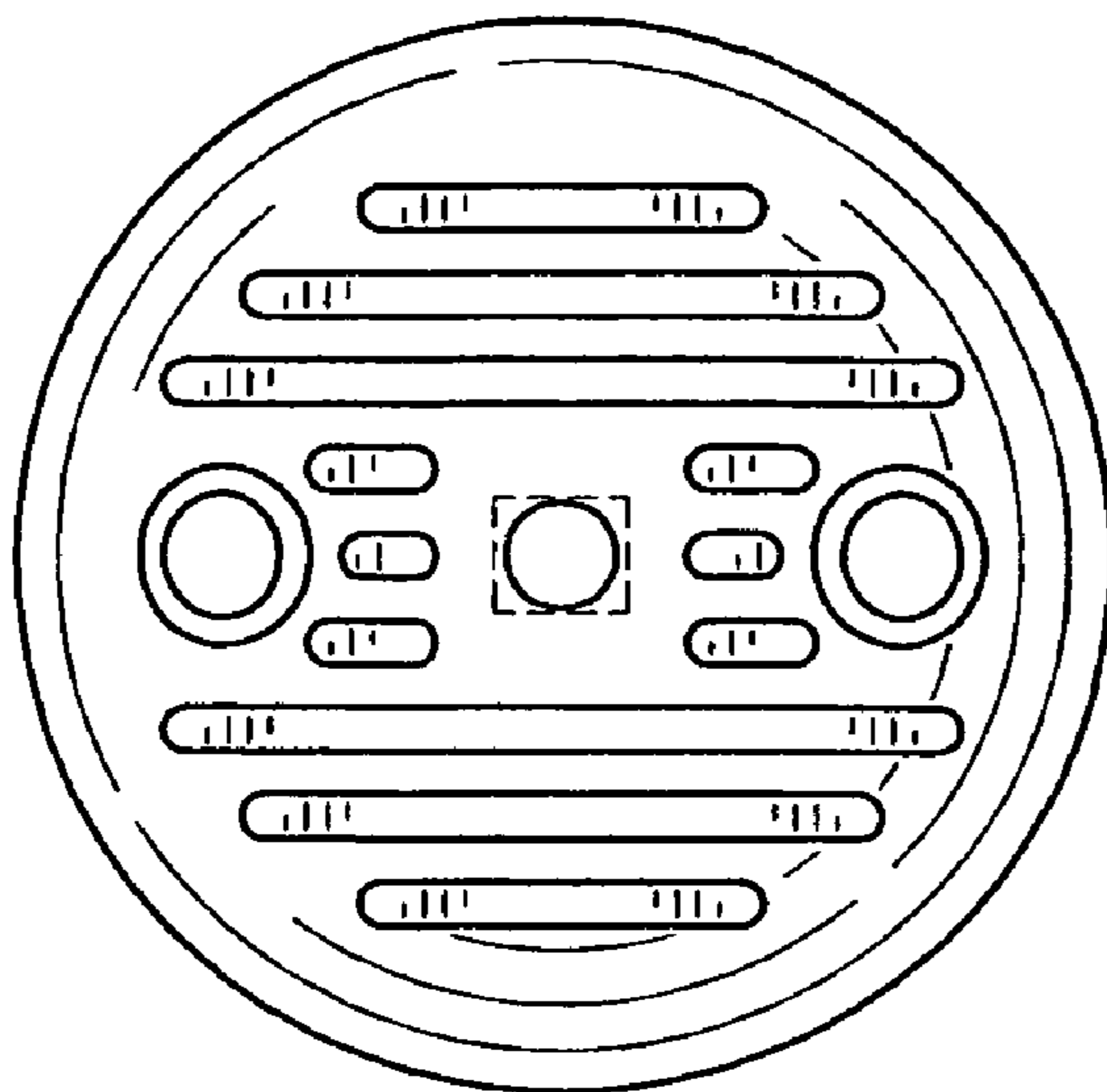
(57) **CLAIM**

The ornamental design for a bathtub overflow drain cover, as shown and described.

DESCRIPTION

FIG. 1 is a front elevational view of my new design for a bathtub overflow drain cover
FIG. 2 is rear elevational view thereof;
FIG. 3 is a top plan view thereof;
FIG. 4 is a bottom plan view thereof; the portion shown in phantom depicts a lever for operating a typical drain stopper which is no part of my design
FIG. 5 is a left side elevational view thereof; and,
FIG. 6 is a right side view thereof.

1 Claim, 1 Drawing Sheet



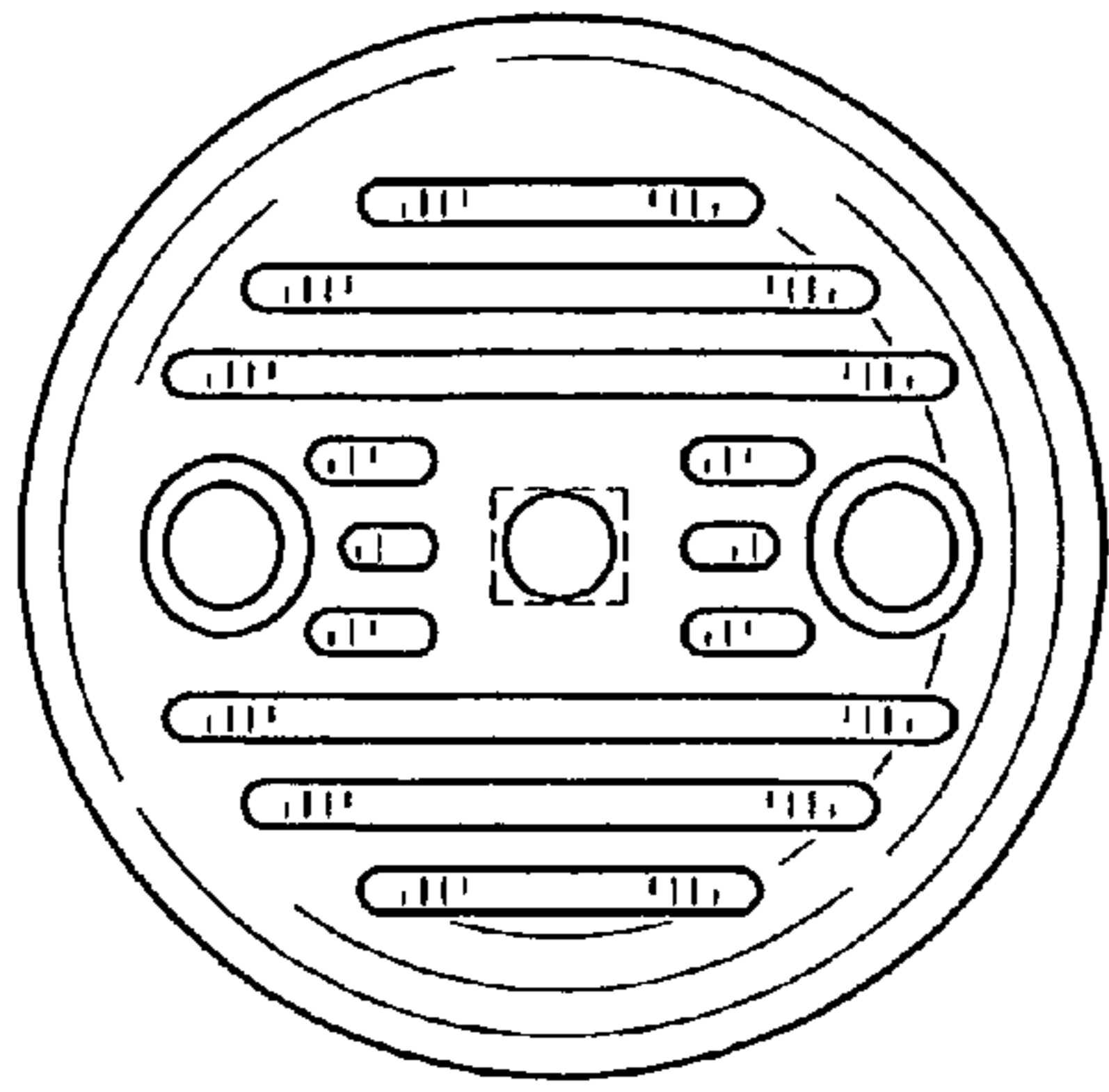


FIG. 1

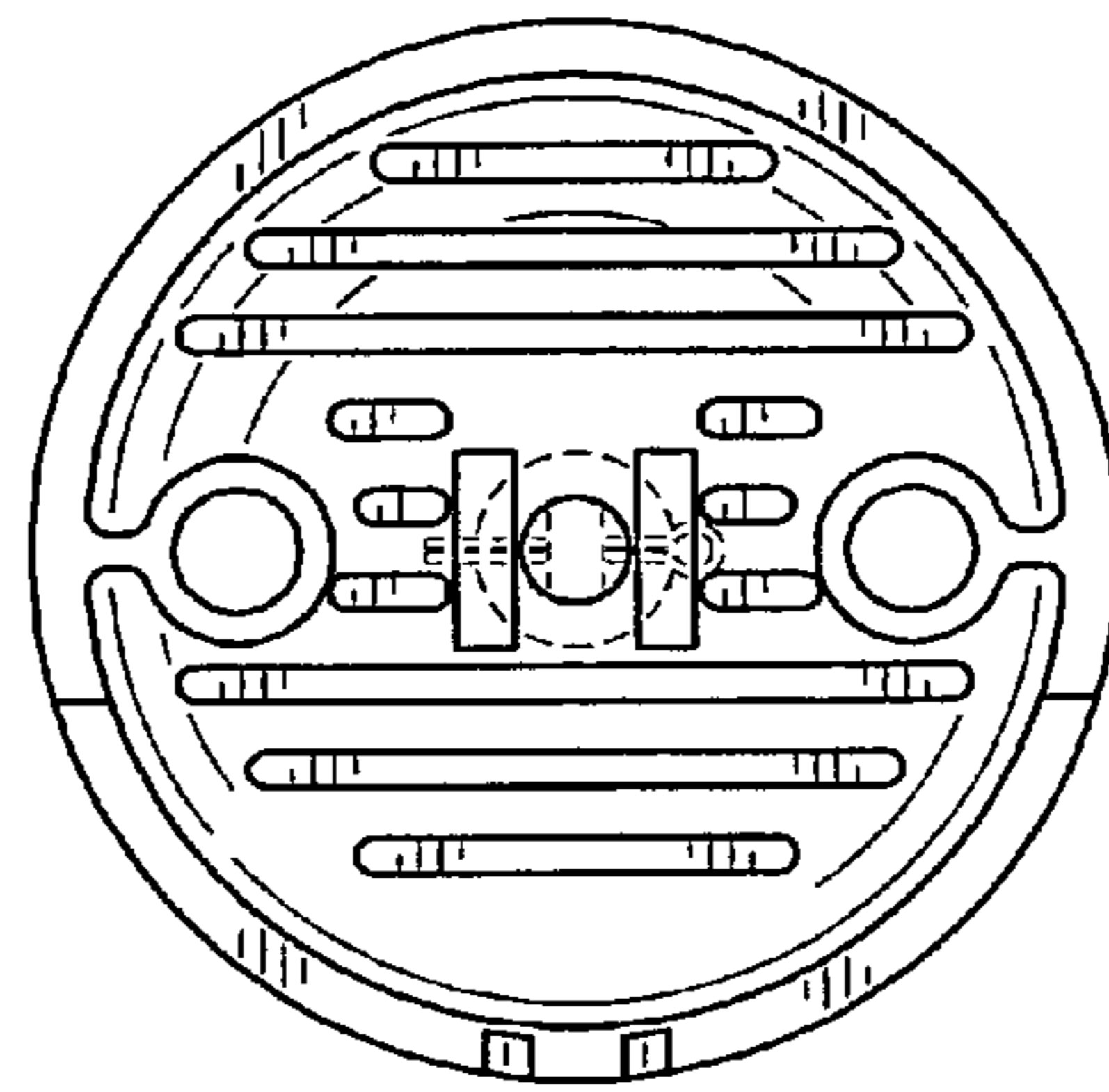


FIG. 2

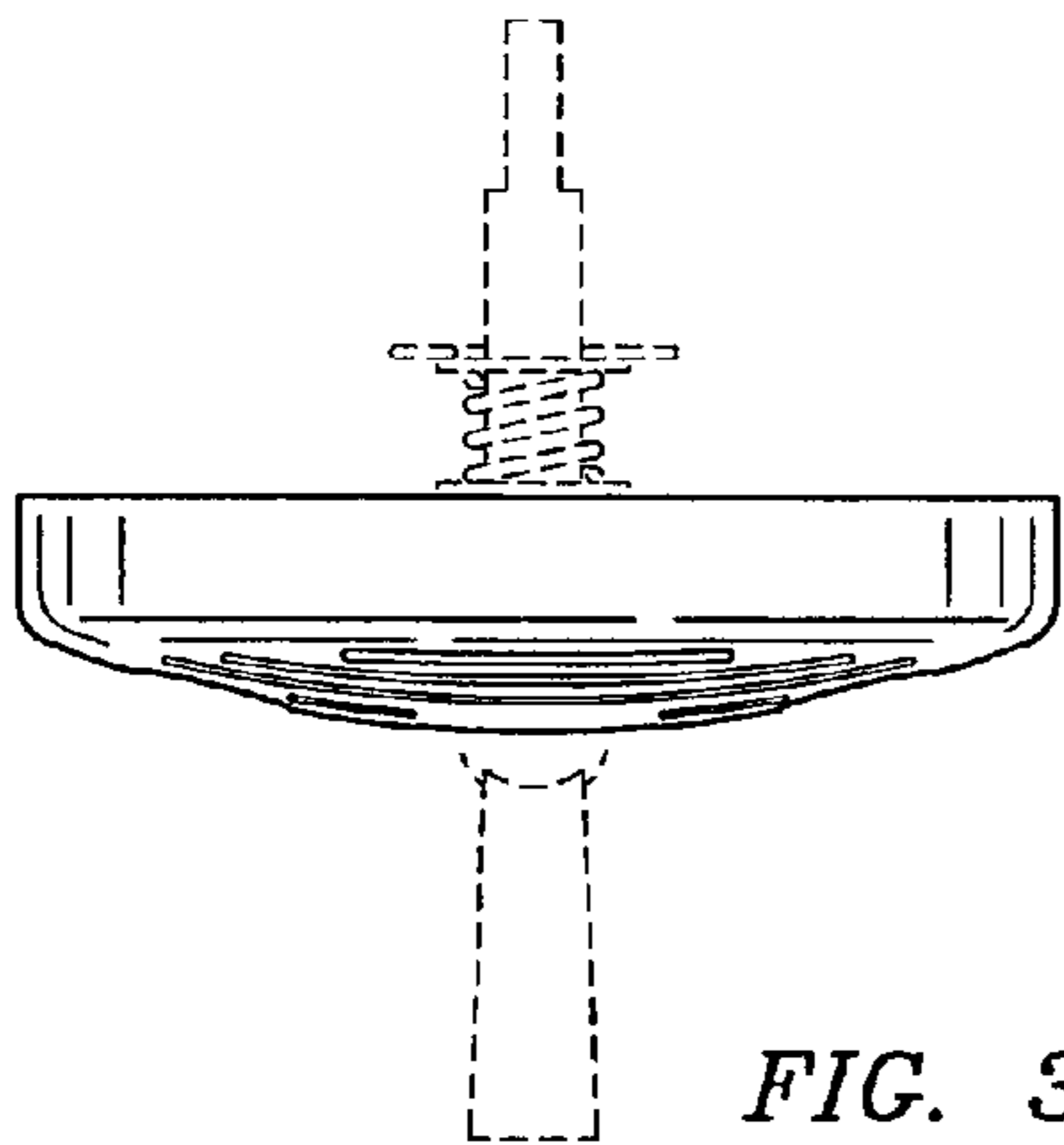


FIG. 3

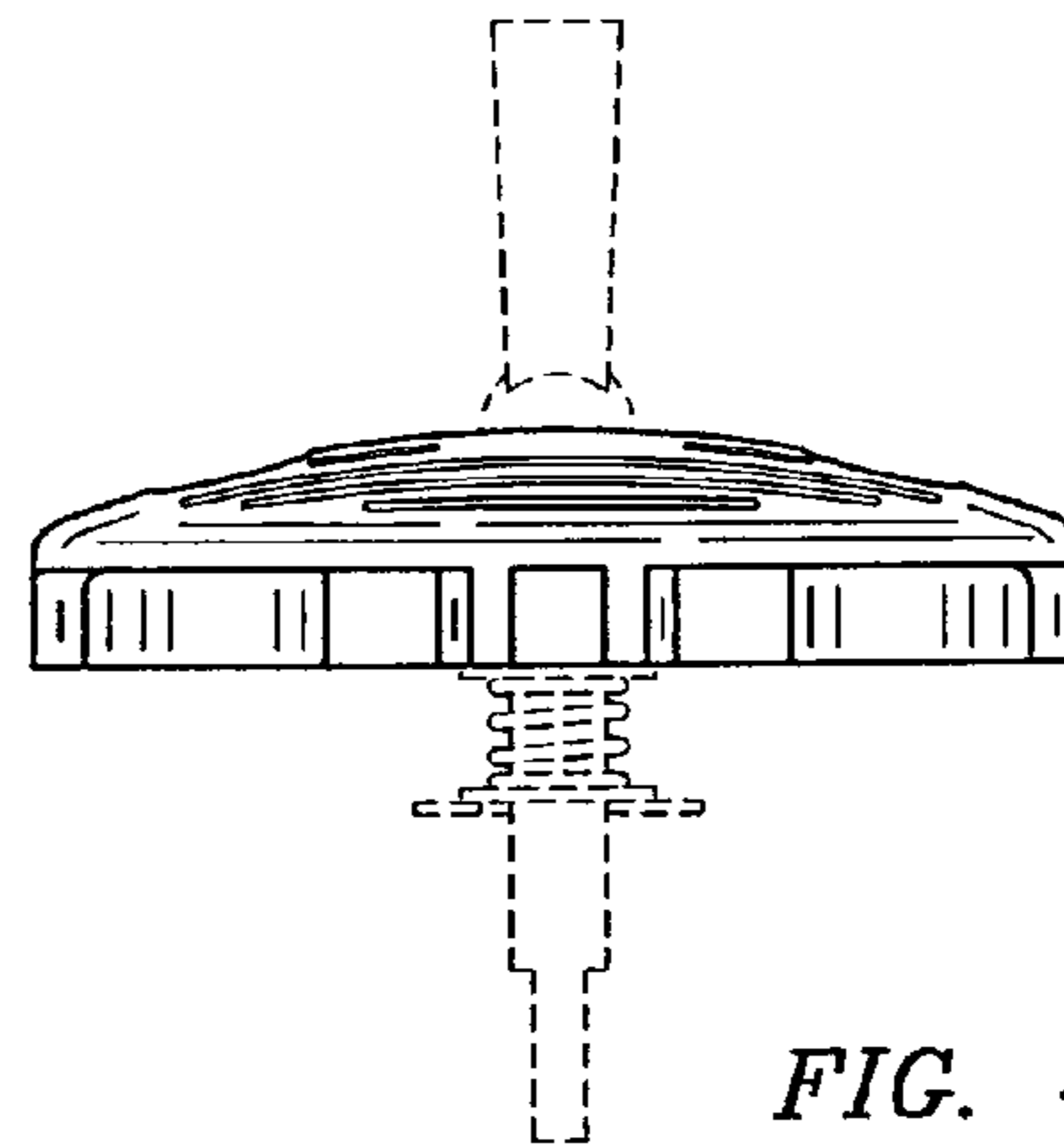


FIG. 4

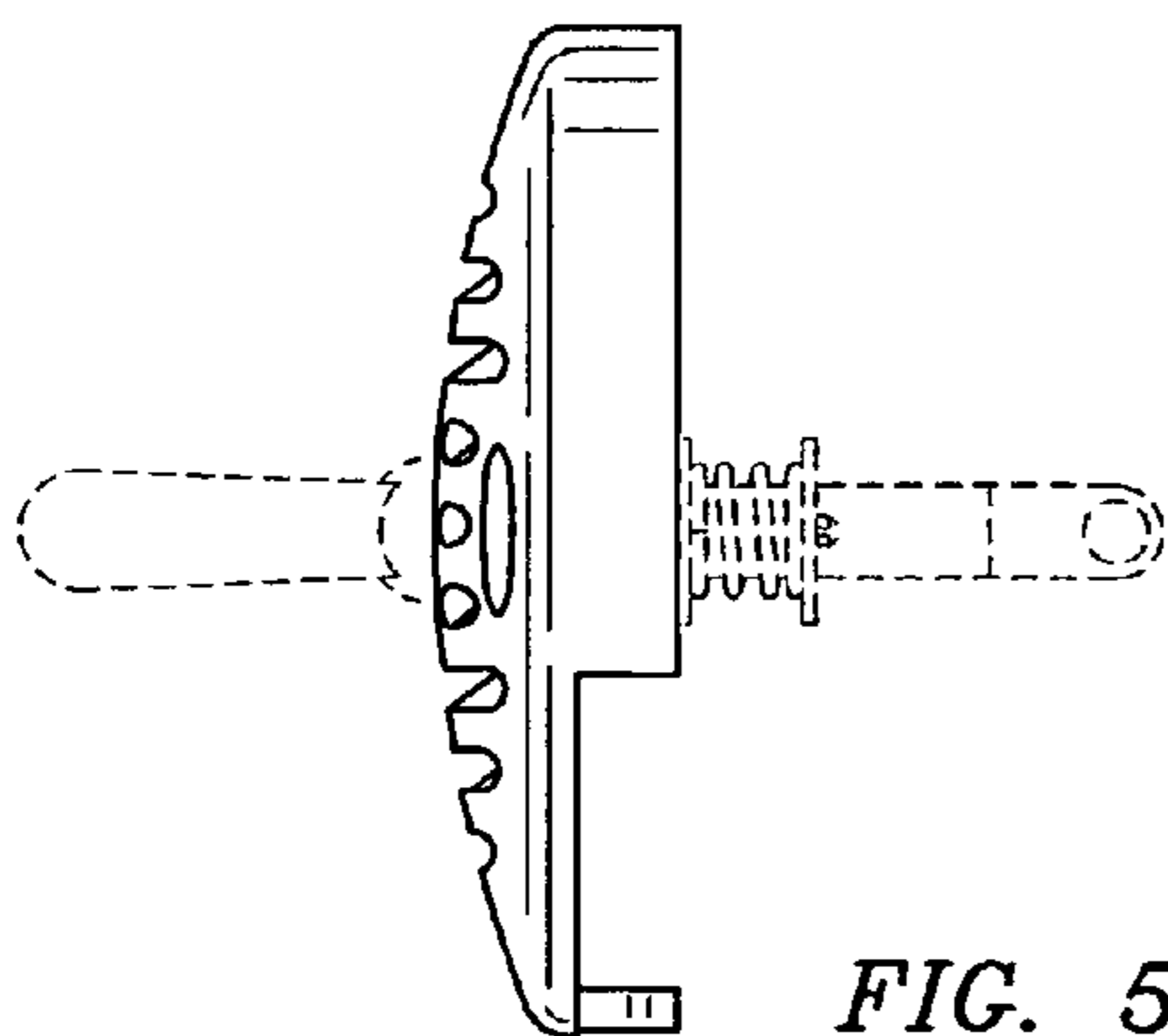


FIG. 5

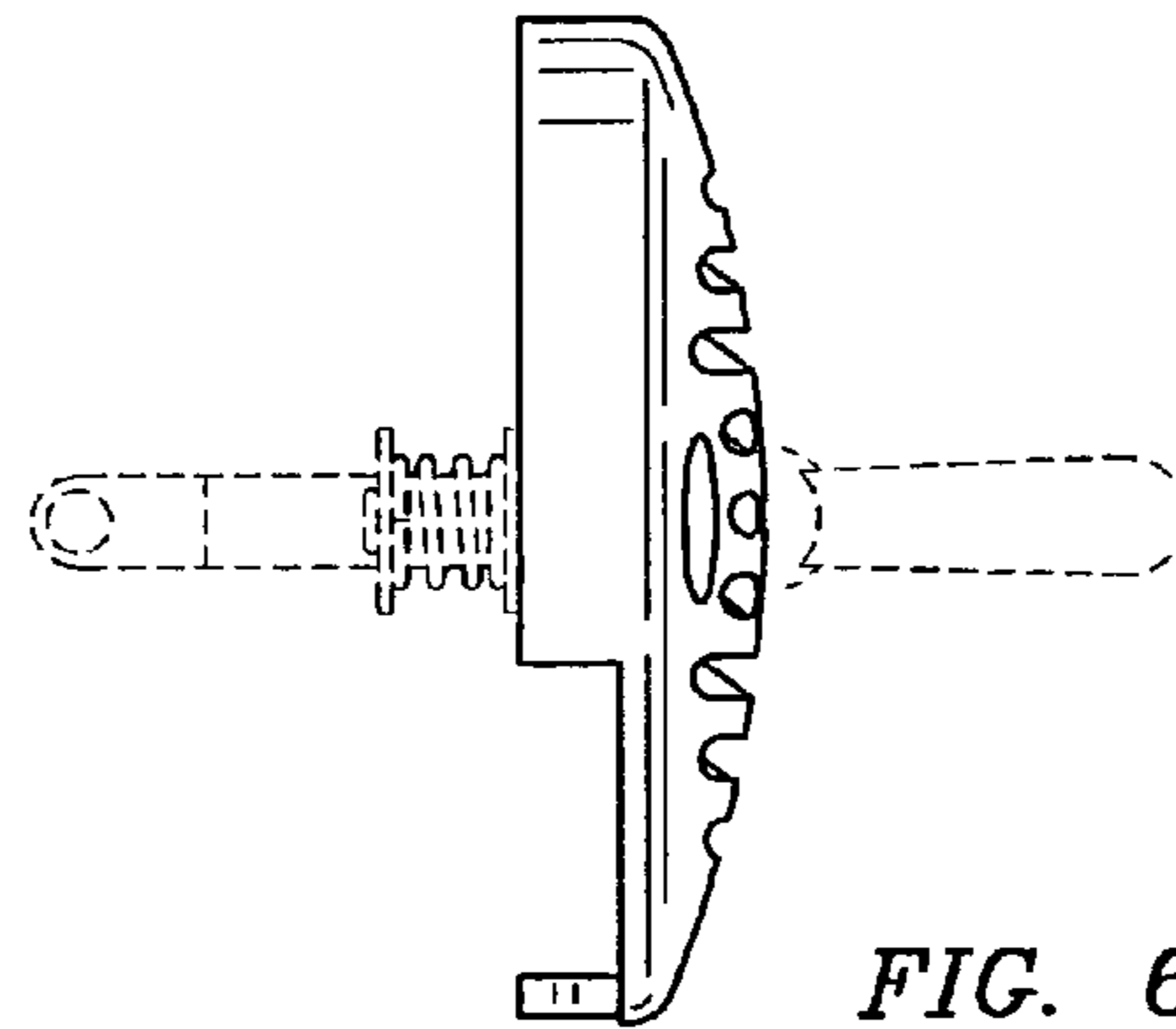


FIG. 6