



US00D683432S

(12) **United States Design Patent**
Berger

(10) **Patent No.:** **US D683,432 S**

(45) **Date of Patent:** **** May 28, 2013**

(54) **FAUCET**

(75) **Inventor:** **Ryan Berger**, Columbus, OH (US)

(73) **Assignee:** **Masco Corporation of Indiana**,
Indianapolis, IN (US)

(**) **Term:** **14 Years**

(21) **Appl. No.:** **29/413,307**

(22) **Filed:** **Feb. 14, 2012**

(51) **LOC (9) Cl.** **23-01**

(52) **U.S. Cl.**
USPC **D23/242**

(58) **Field of Classification Search**
USPC **D23/238, 241-243, 250, 252, 255,**
D23/257; 4/675-678; 137/801

See application file for complete search history.

(56) **References Cited**

U.S. PATENT DOCUMENTS

D520,604 S * 5/2006 Fritz D23/241
D576,710 S * 9/2008 Fritz D23/238

* cited by examiner

Primary Examiner — Robert Delehanty

(74) *Attorney, Agent, or Firm* — Edgar A. Zarins; Nirav D. Parikh; Lora J. Graentzdoerffer

(57) **CLAIM**

The ornamental design for a faucet, as shown and described.

DESCRIPTION

FIG. 1 is a perspective view of a faucet showing my new design;

FIG. 2 is a right side view thereof, the opposite side being a mirror image of the side shown;

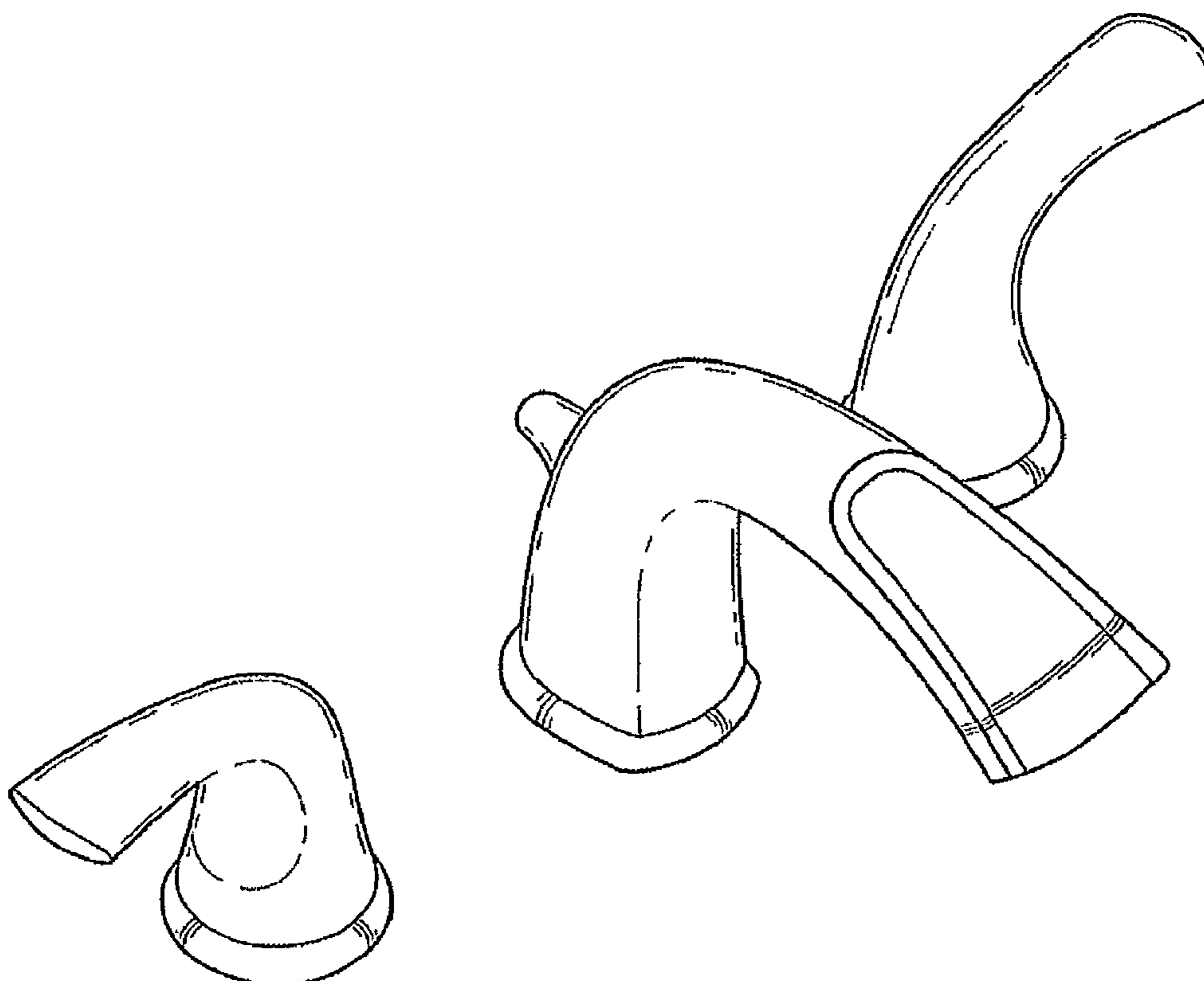
FIG. 3 is a front elevational view thereof;

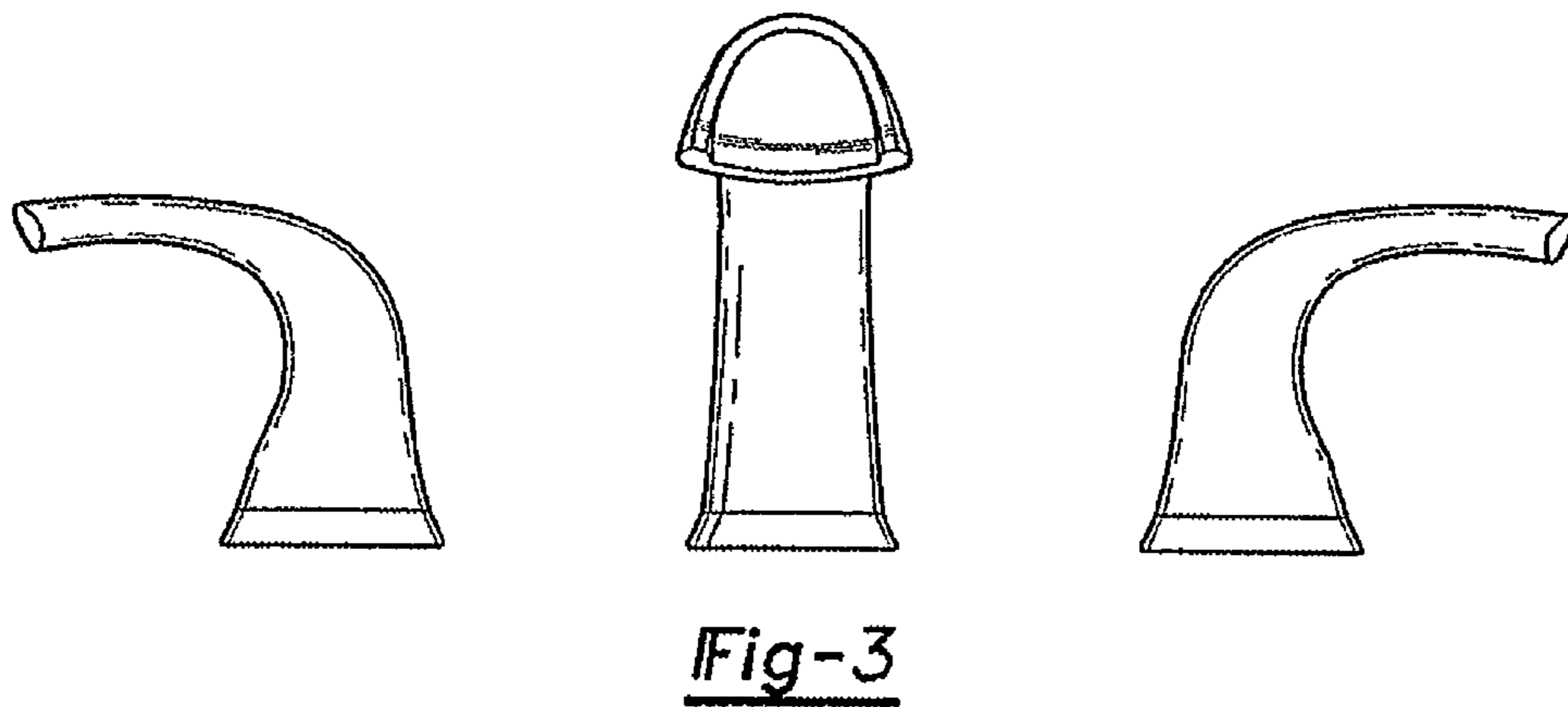
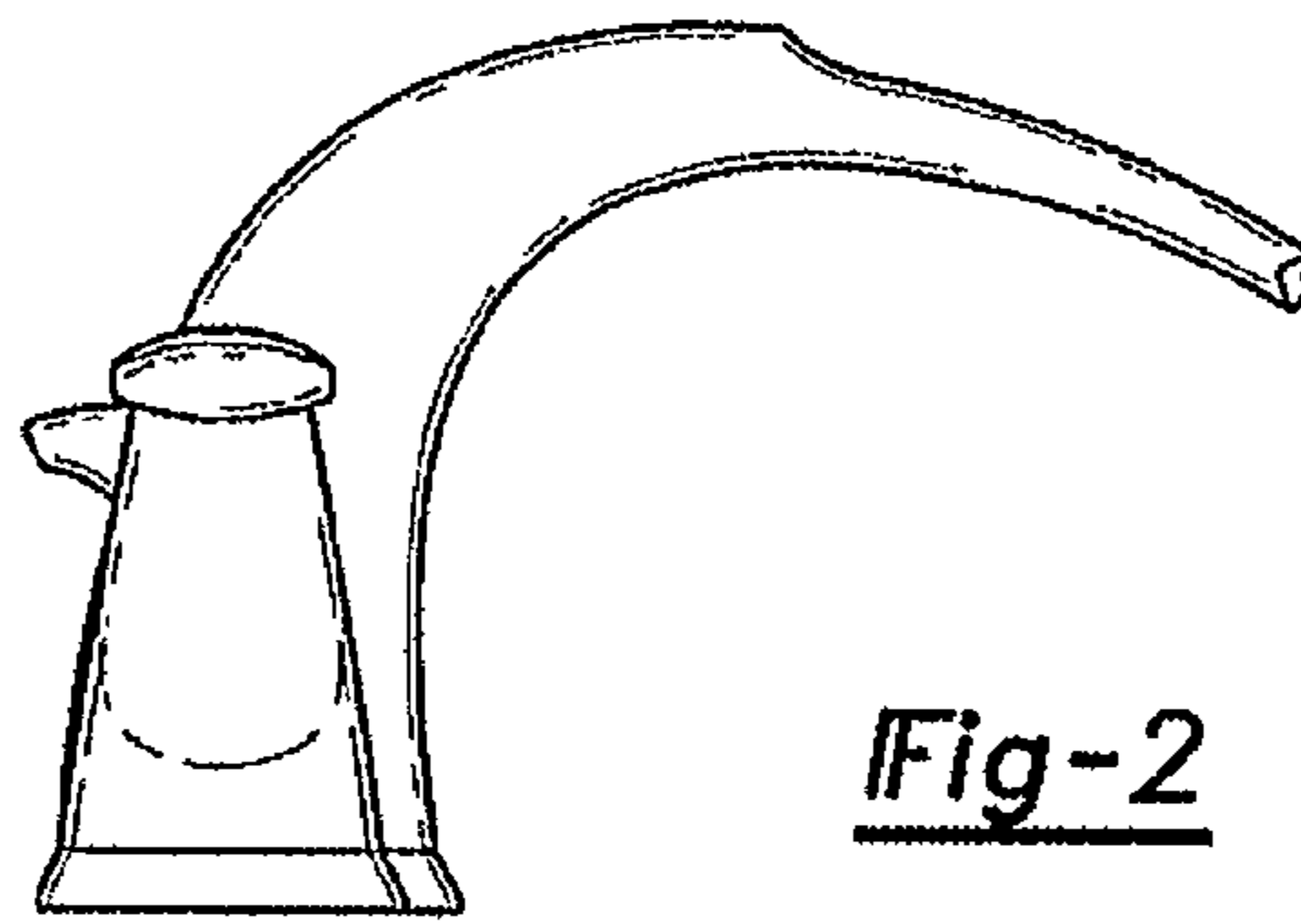
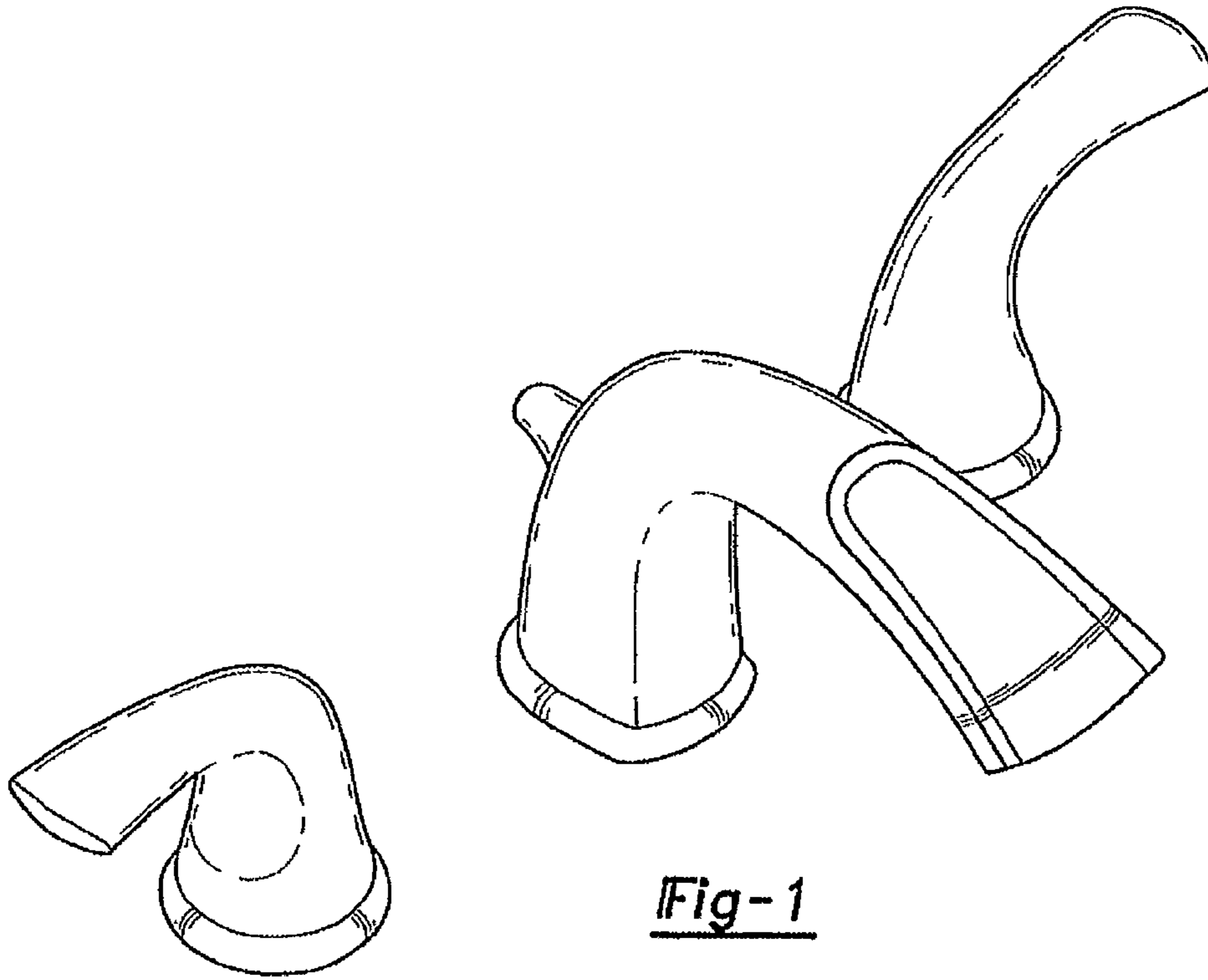
FIG. 4 is a rear view thereof;

FIG. 5 is a top plan view thereof; and,

FIG. 6 is a bottom view thereof.

1 Claim, 2 Drawing Sheets





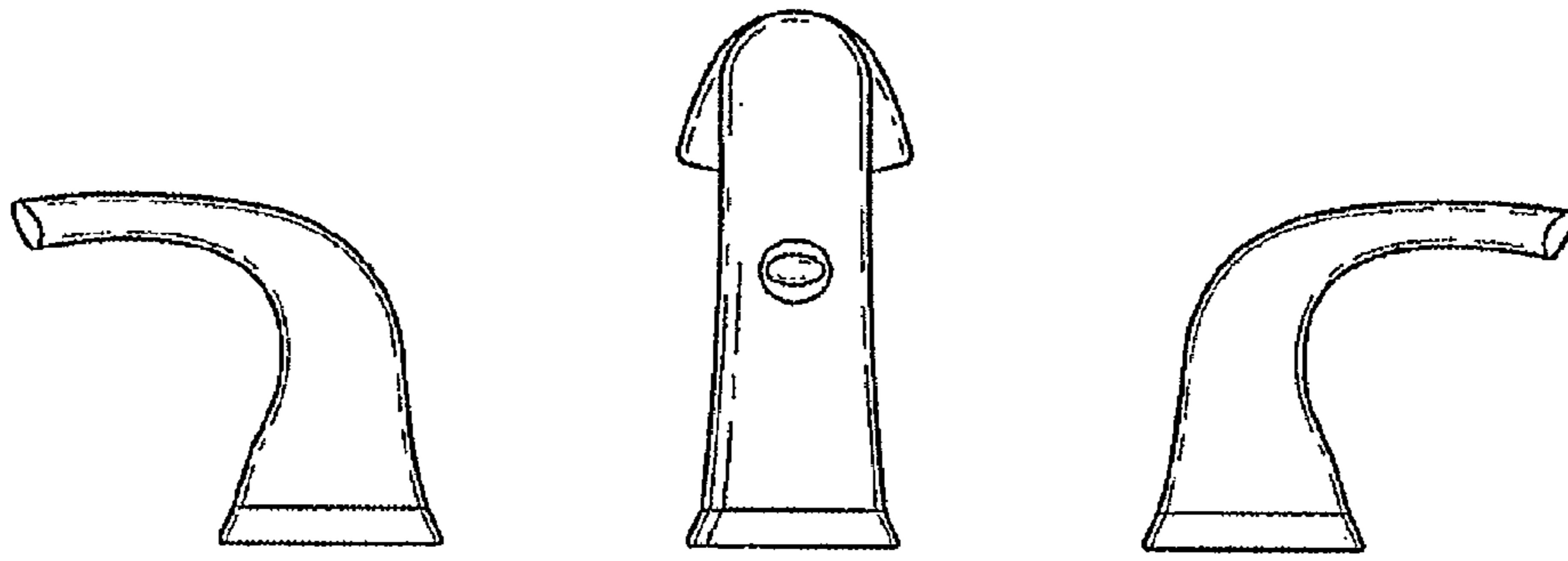


Fig-4

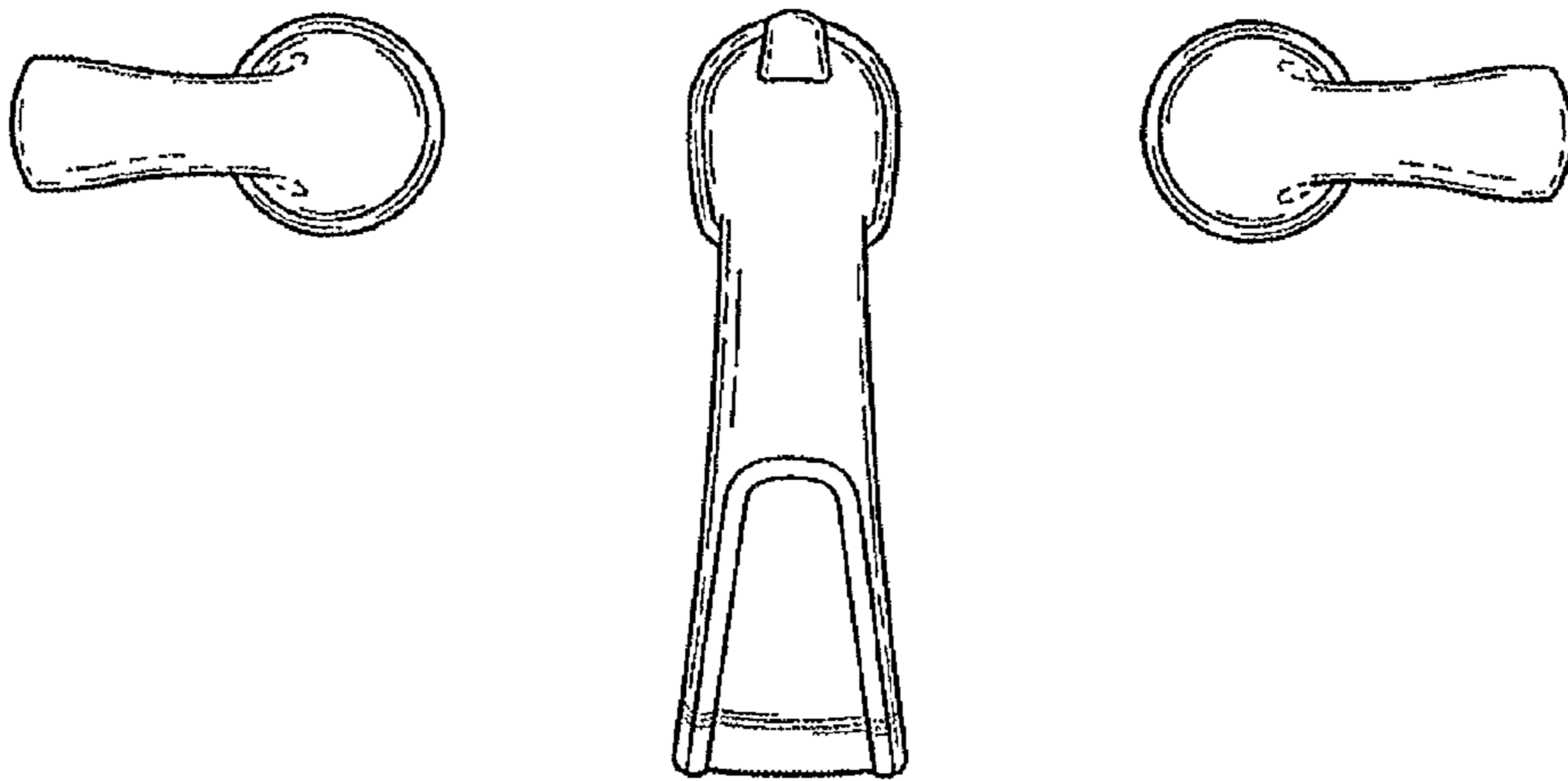


Fig-5

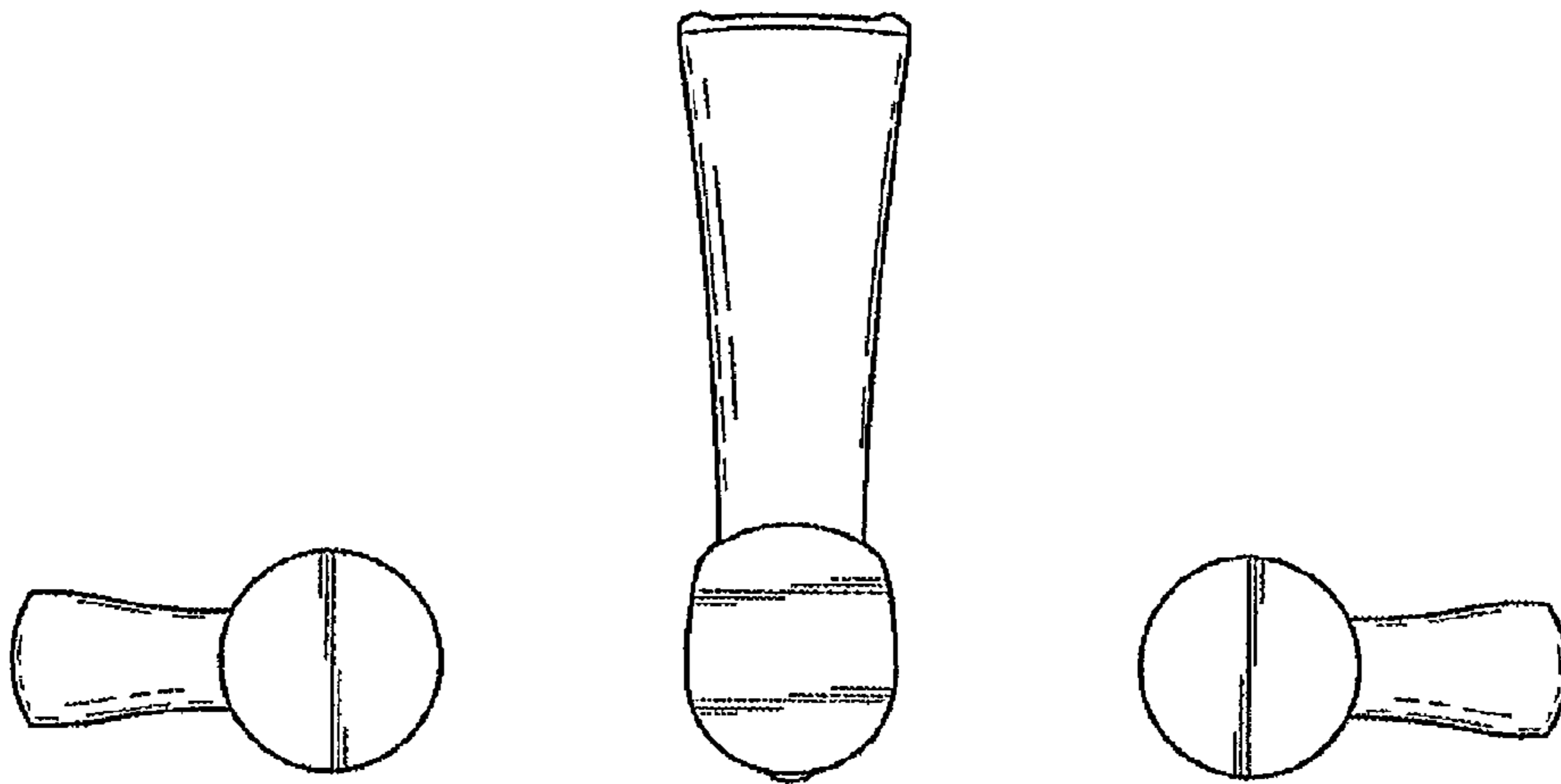


Fig-6