



US00D683430S

(12) **United States Design Patent**
Spangler

(10) **Patent No.:** **US D683,430 S**

(45) **Date of Patent:** **** May 28, 2013**

(54) **FAUCET**

D461,531 S * 8/2002 Ouyoung D23/242
D544,946 S * 6/2007 Lord et al. D23/238
D577,420 S * 9/2008 Corbett et al. D23/238

(75) **Inventor:** **Anthony Spangler**, Indianapolis, IN
(US)

* cited by examiner

(73) **Assignee:** **Masco Corporation of Indiana**,
Indianapolis, IN (US)

Primary Examiner — Robert Delehanty

(74) *Attorney, Agent, or Firm* — Edgar A. Zarins; Nirav D. Parikh; Lora J. Graentzdoerffer

(**) **Term:** **14 Years**

(57) **CLAIM**

(21) **Appl. No.:** **29/418,003**

The ornamental design for a faucet, as shown and described.

(22) **Filed:** **Apr. 11, 2012**

DESCRIPTION

(51) **LOC (9) Cl.** **23-01**

(52) **U.S. Cl.**

USPC **D23/238**

(58) **Field of Classification Search**

USPC D23/238–24, 250, 252, 255, 257,
D23/3; 4/675–678; 137/801

See application file for complete search history.

FIG. 1 is a perspective view of a faucet showing my new design;

FIG. 2 is a rear view thereof;

FIG. 3 is a front elevational view thereof;

FIG. 4 is a top plan view thereof;

FIG. 5 is a right side view thereof;

FIG. 6 is a left side view thereof; and,

FIG. 7 is a bottom view thereof.

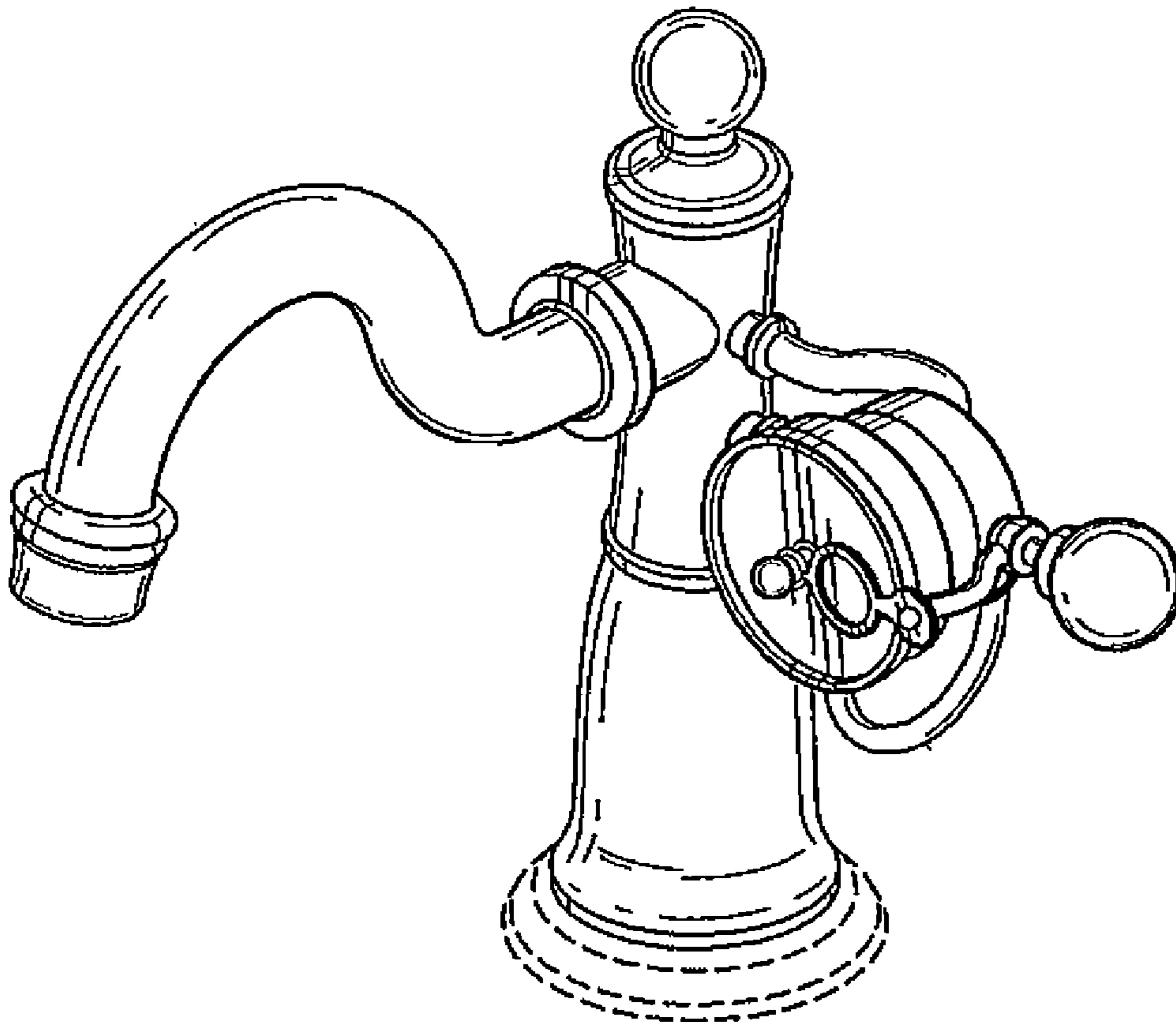
The broken line showing portions of the claimed design is included for the purpose of illustrating a portion of the faucet that forms no part of the claimed design.

(56) **References Cited**

U.S. PATENT DOCUMENTS

D196,417 S * 9/1963 Lander D23/238
D207,985 S * 6/1967 Maguire D23/238

1 Claim, 2 Drawing Sheets



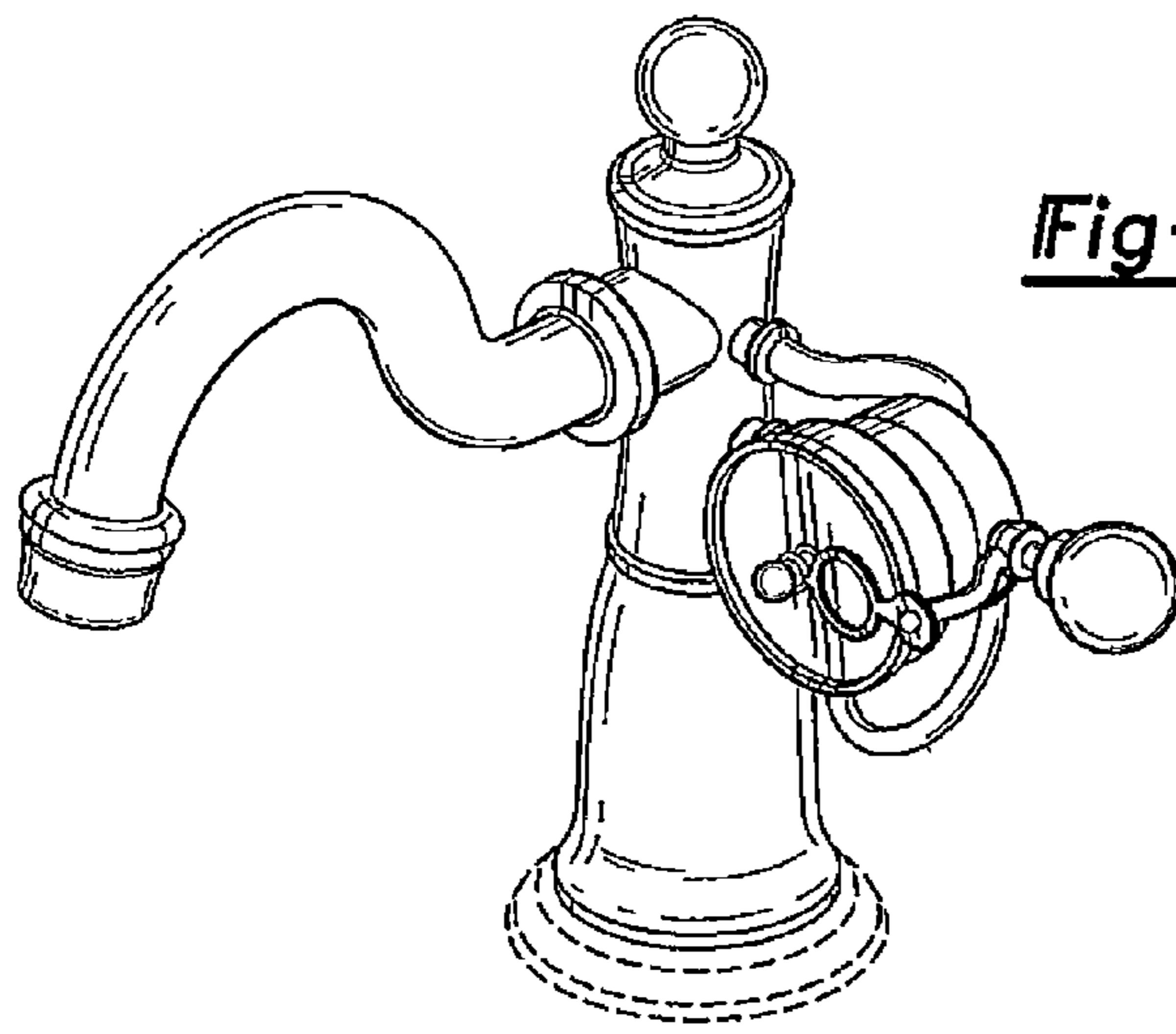


Fig-1

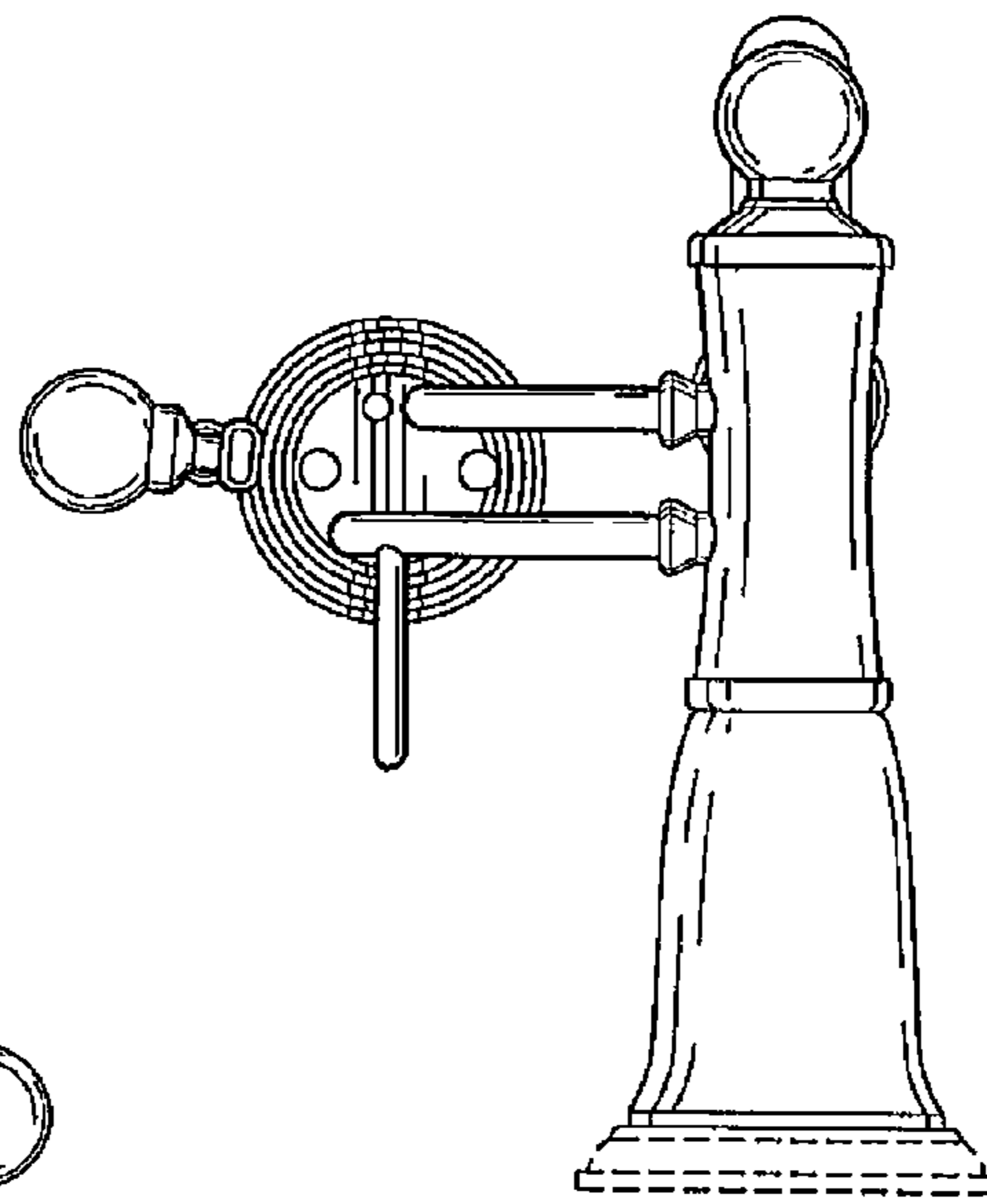


Fig-2

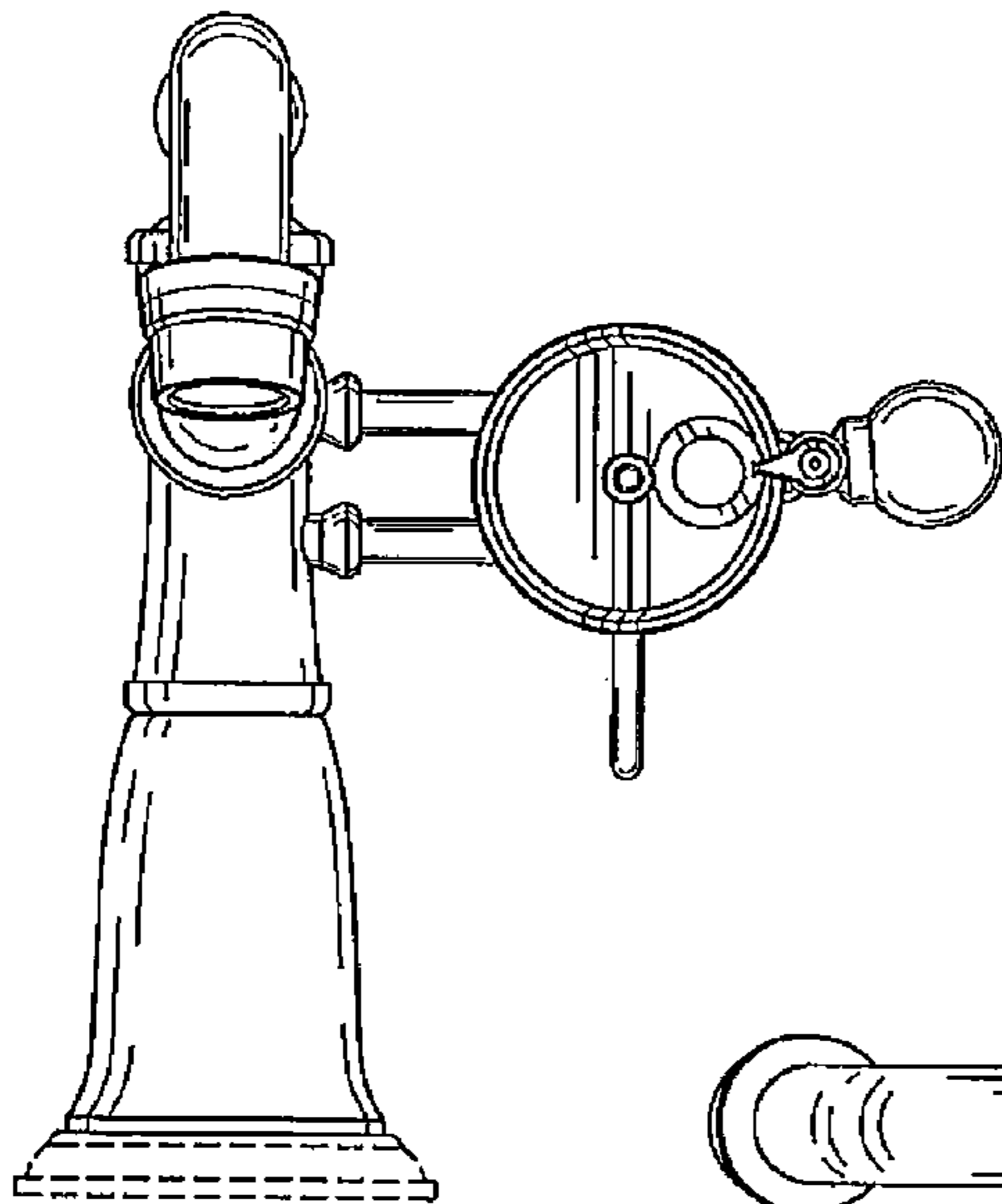


Fig-3

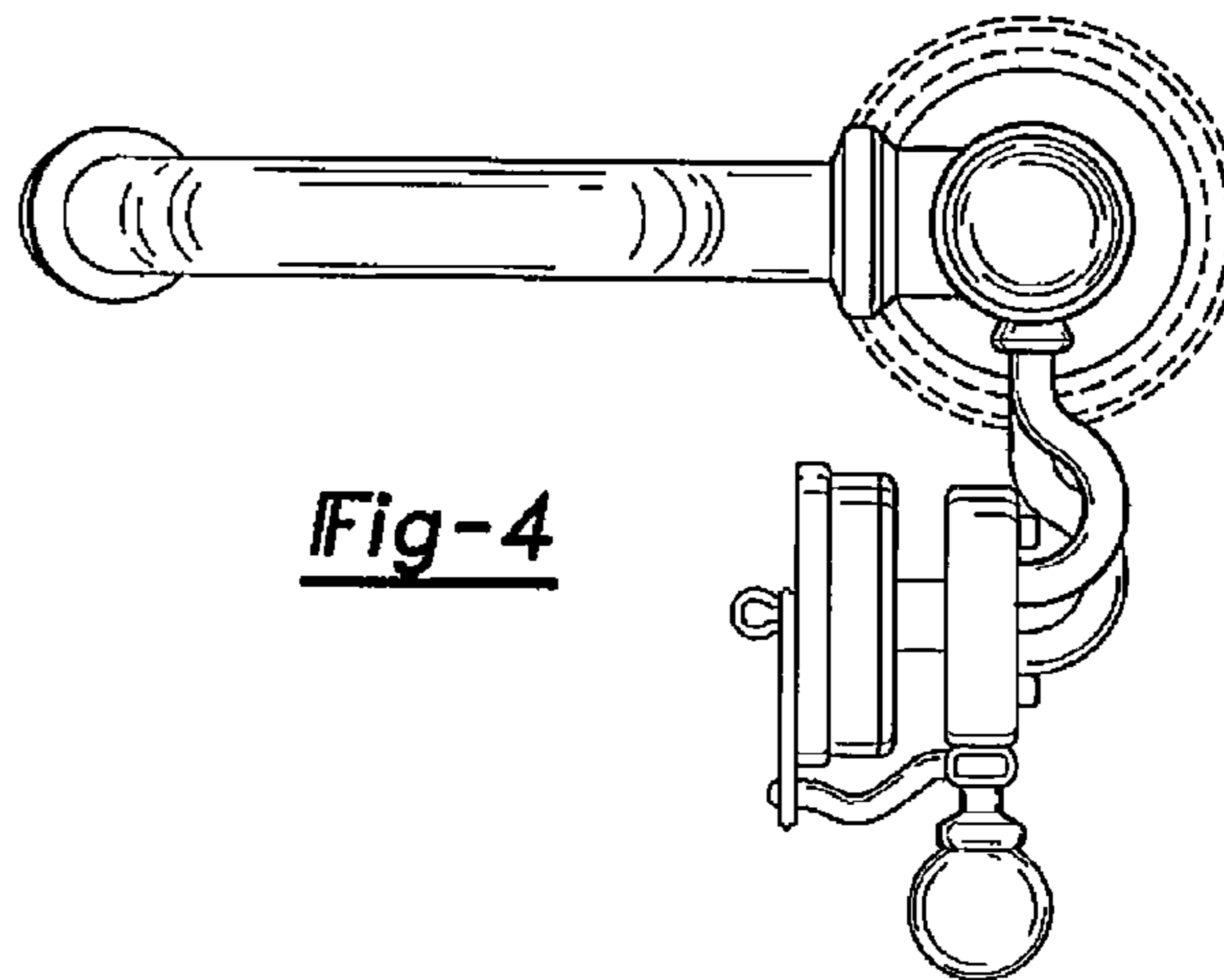


Fig-4

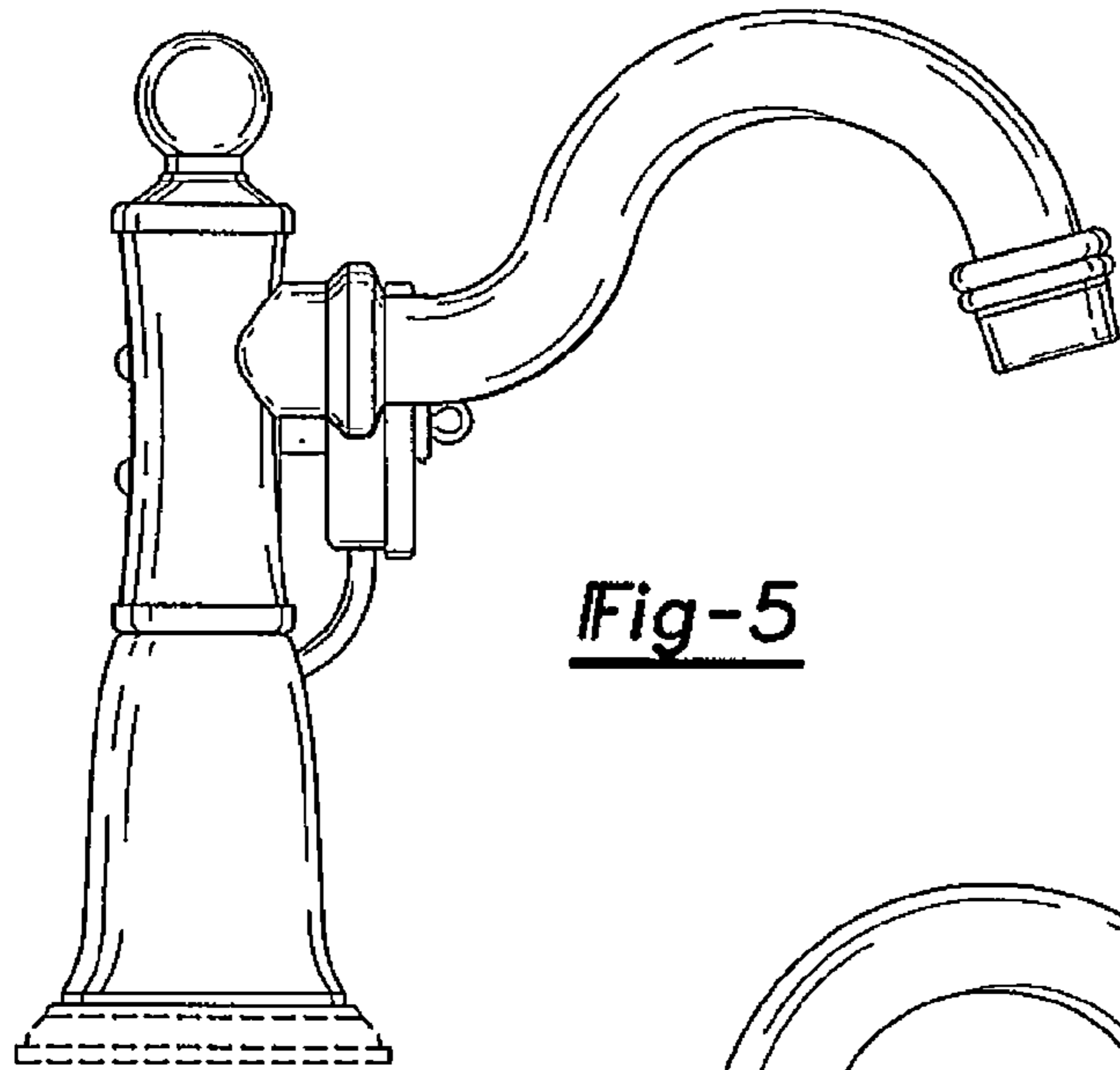


Fig-5

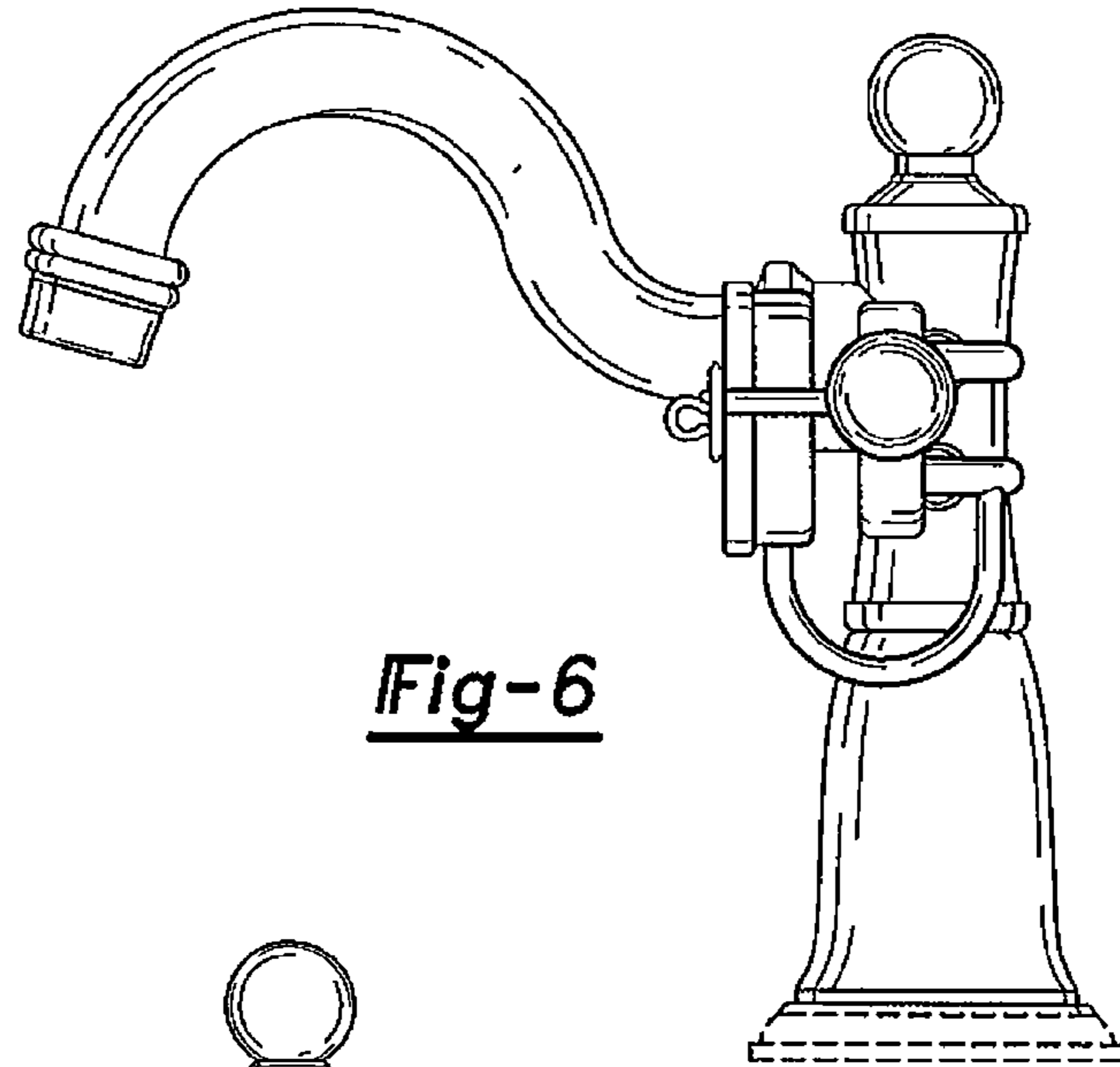


Fig-6

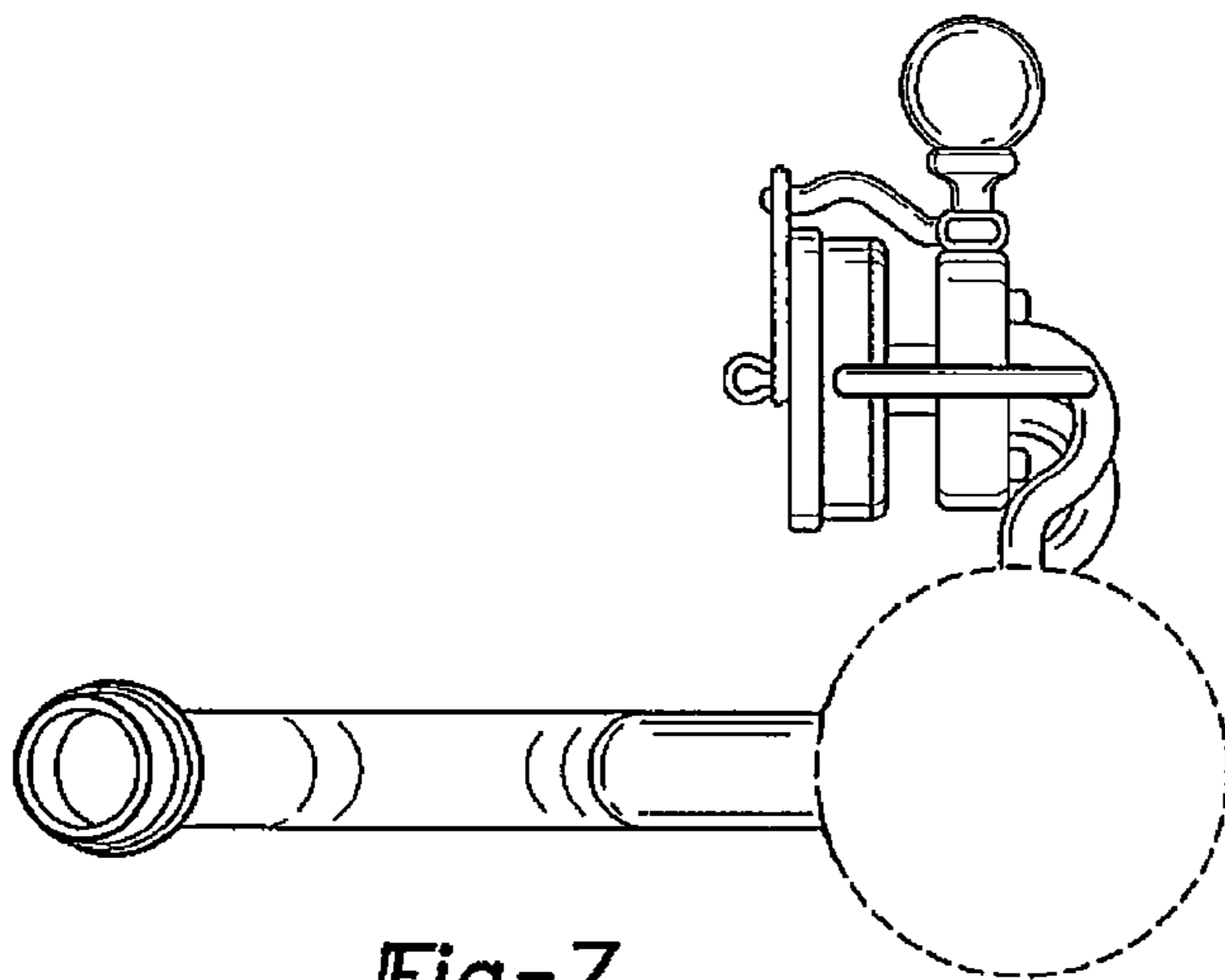


Fig-7