



US00D683425S

(12) **United States Design Patent**
Koiwa

(10) **Patent No.:** **US D683,425 S**
(45) **Date of Patent:** **** May 28, 2013**

(54) **SPRINKLER PROTECTIVE CAP**

7,624,813 B2 * 12/2009 Ma 169/37
8,220,556 B2 * 7/2012 Retzloff et al. 169/37
8,353,356 B2 * 1/2013 Rogers 169/37

(75) Inventor: **Yasuaki Koiwa**, Tokyo (JP)

FOREIGN PATENT DOCUMENTS

(73) Assignee: **Senju Sprinkler Co., Ltd.**, Tokyo (JP)

JP 07-039859 U 7/1995
JP D1363230 S 6/2009
WO W02011-125921 A1 10/2011

(**) Term: **14 Years**

(21) Appl. No.: **29/425,476**

* cited by examiner

(22) Filed: **Jun. 22, 2012**

Primary Examiner — Robin V Webster

(30) **Foreign Application Priority Data**

(74) *Attorney, Agent, or Firm* — Cermak Nakajima LLP;
Tomoko Nakajima

Apr. 18, 2012 (JP) 2012-009041

(57) **CLAIM**

(51) **LOC (9) Cl.** **23-01**

The ornamental design for a sprinkler protective cap, as shown and described.

(52) **U.S. Cl.**

DESCRIPTION

USPC **D23/214**

(58) **Field of Classification Search**

USPC D23/213, 214, 227; 239/288, 288.3,
239/288.5, 242, 209; 169/17, 37, 57

See application file for complete search history.

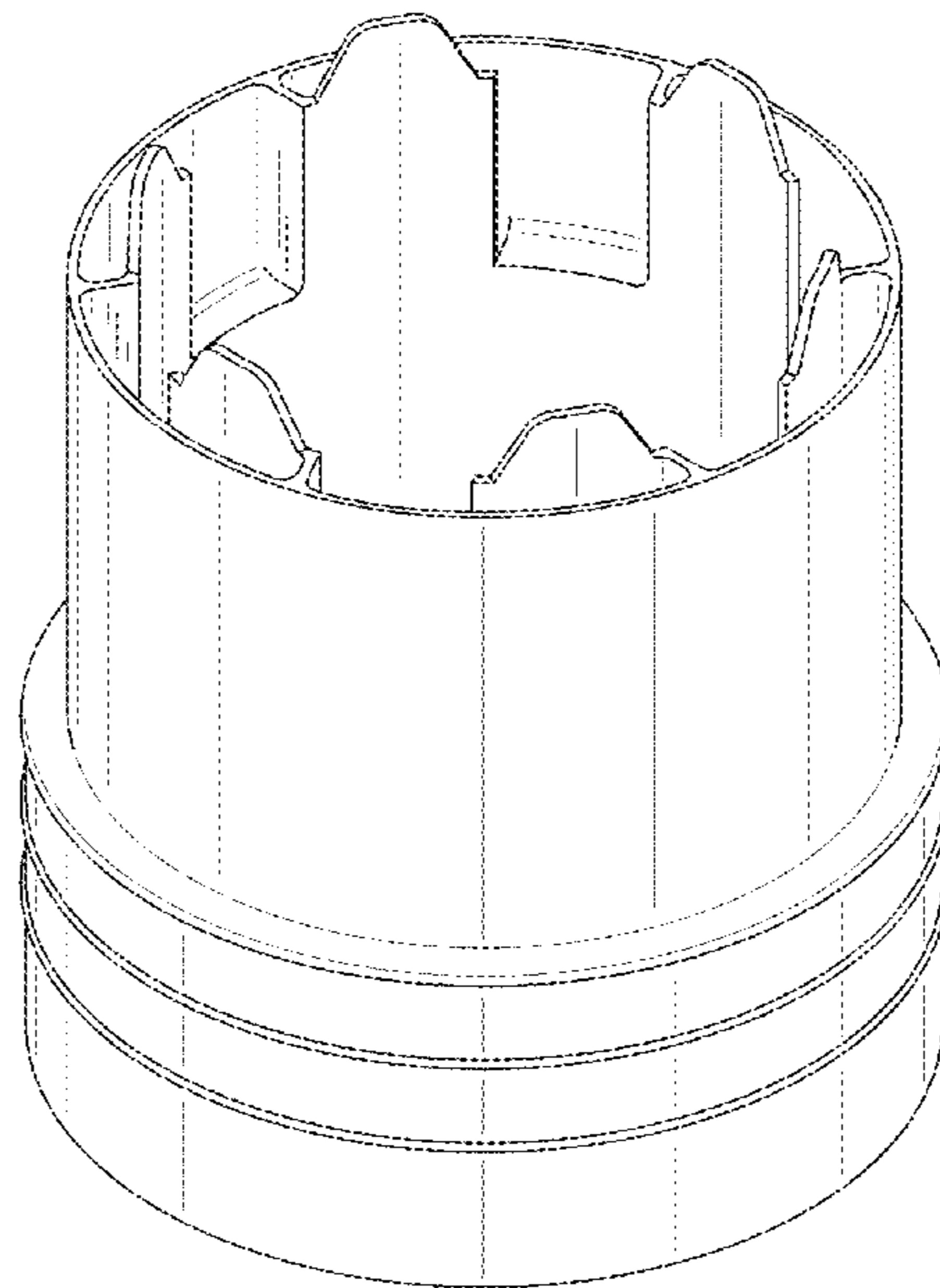
FIG. 1 is a front elevational view of a sprinkler protective cap showing my new design;
FIG. 2 is a rear elevational view thereof;
FIG. 3 is a right side elevational view thereof;
FIG. 4 is a left side elevational view thereof;
FIG. 5 is a top plan view thereof; and
FIG. 6 is a bottom plan view thereof; and
FIG. 7 is a front and top perspective view thereof.
FIG. 8 is a bottom plan view thereof; and
FIG. 9 is a cross-sectional view thereof taken along the line 9-9 in FIG. 8; and,
FIG. 10 is a cross-sectional view thereof taken along the line 10-10 in FIG. 8.

(56) **References Cited**

U.S. PATENT DOCUMENTS

D232,359 S * 8/1974 Robinson D23/214
D314,419 S * 2/1991 Rosenfeld D23/214
D316,892 S * 5/1991 Clivio D23/214
D318,096 S * 7/1991 Polan D23/214
5,097,906 A * 3/1992 Polan 169/37
5,447,338 A * 9/1995 Kikuchi 285/46
7,540,330 B2 * 6/2009 Orr et al. 169/37

1 Claim, 10 Drawing Sheets



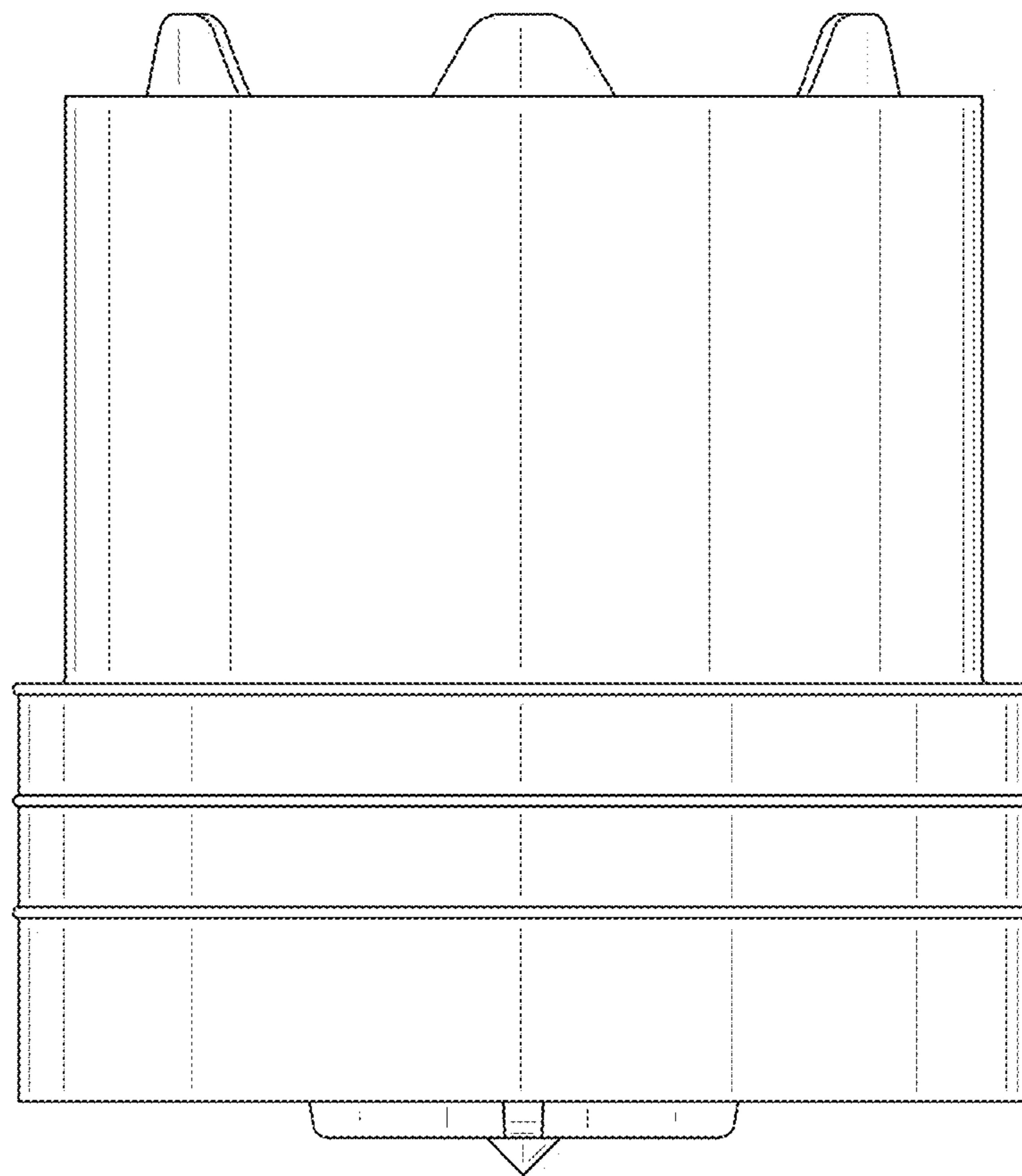


FIG. 1

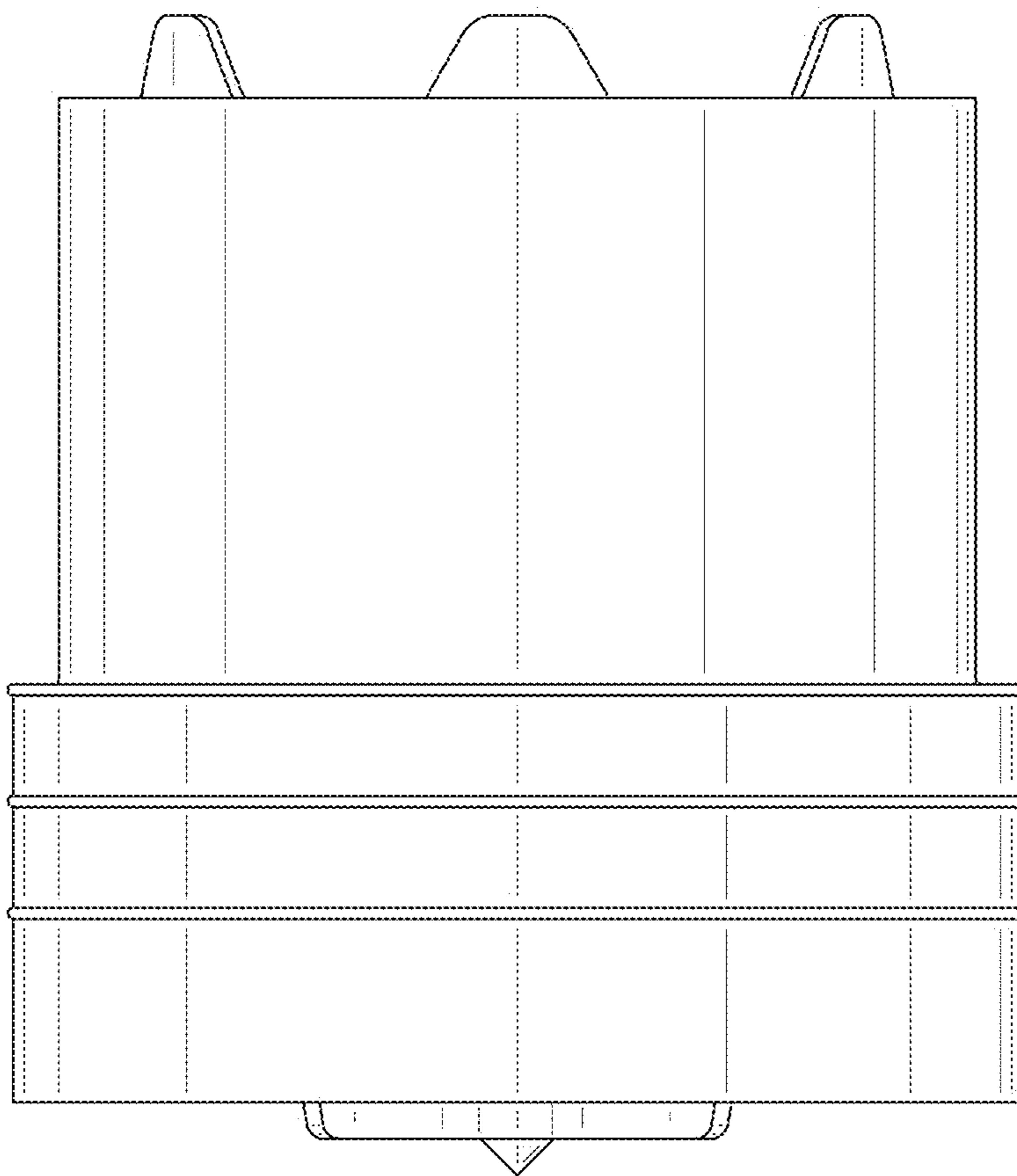


FIG.2

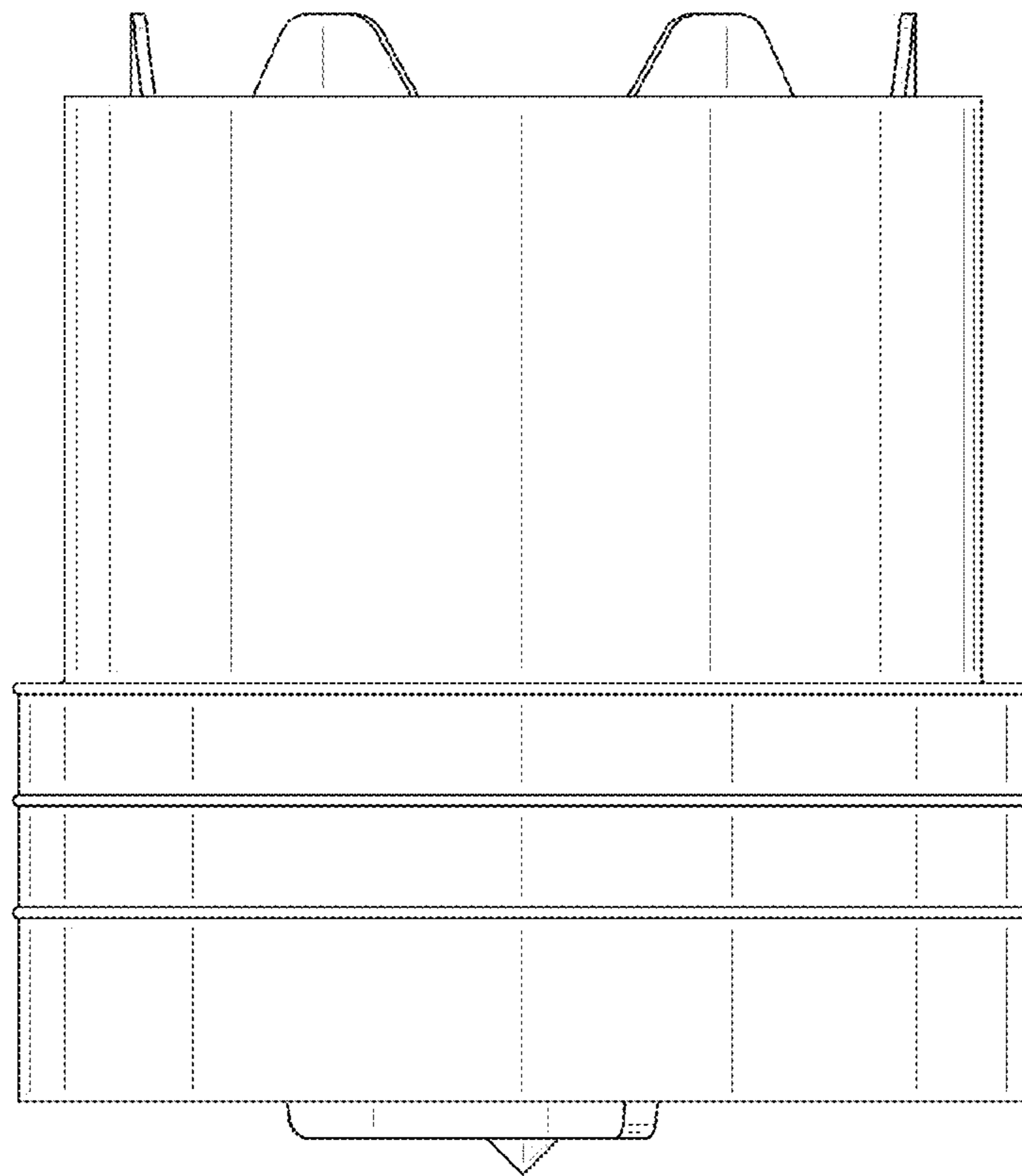


FIG.3

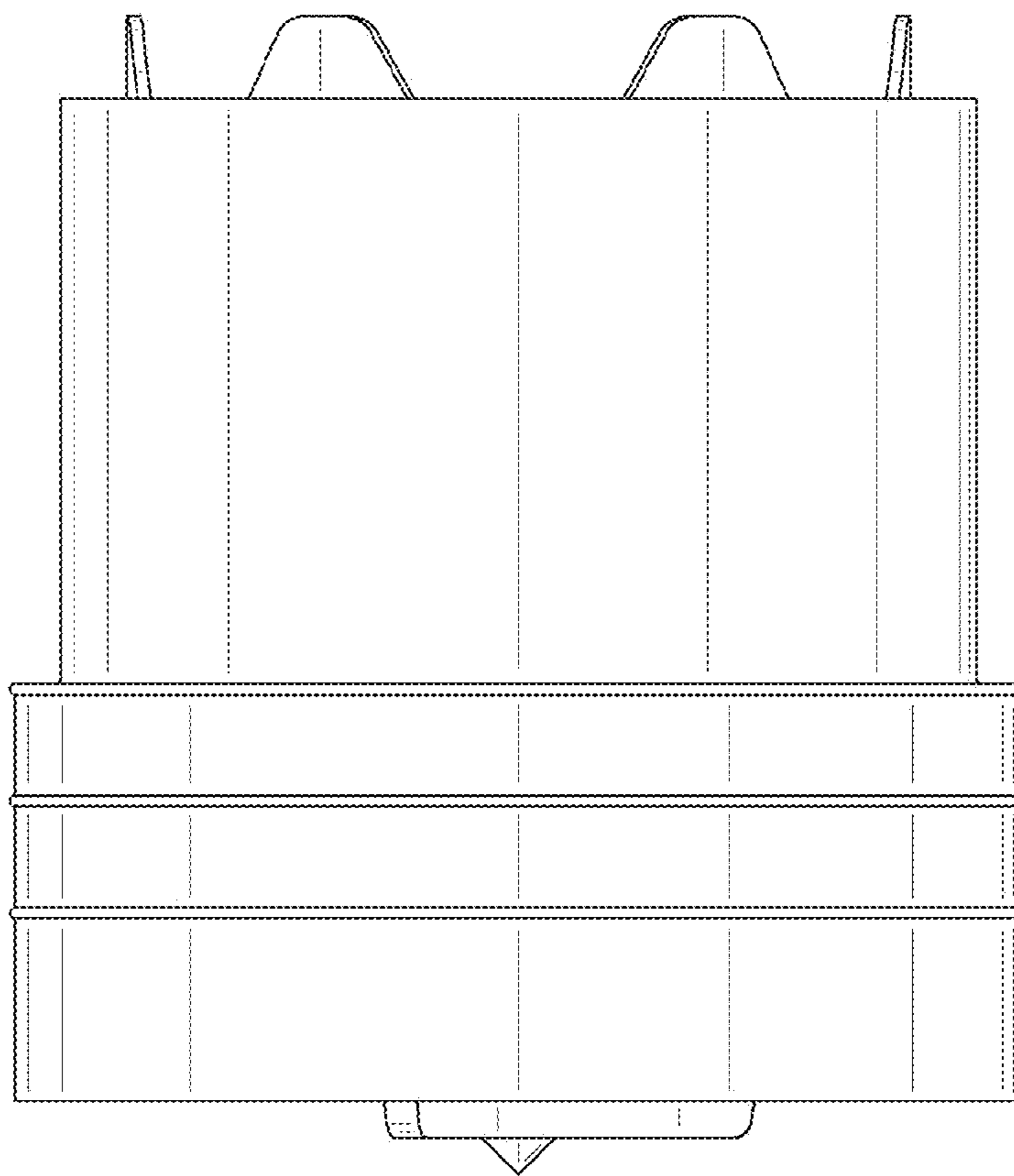


FIG.4

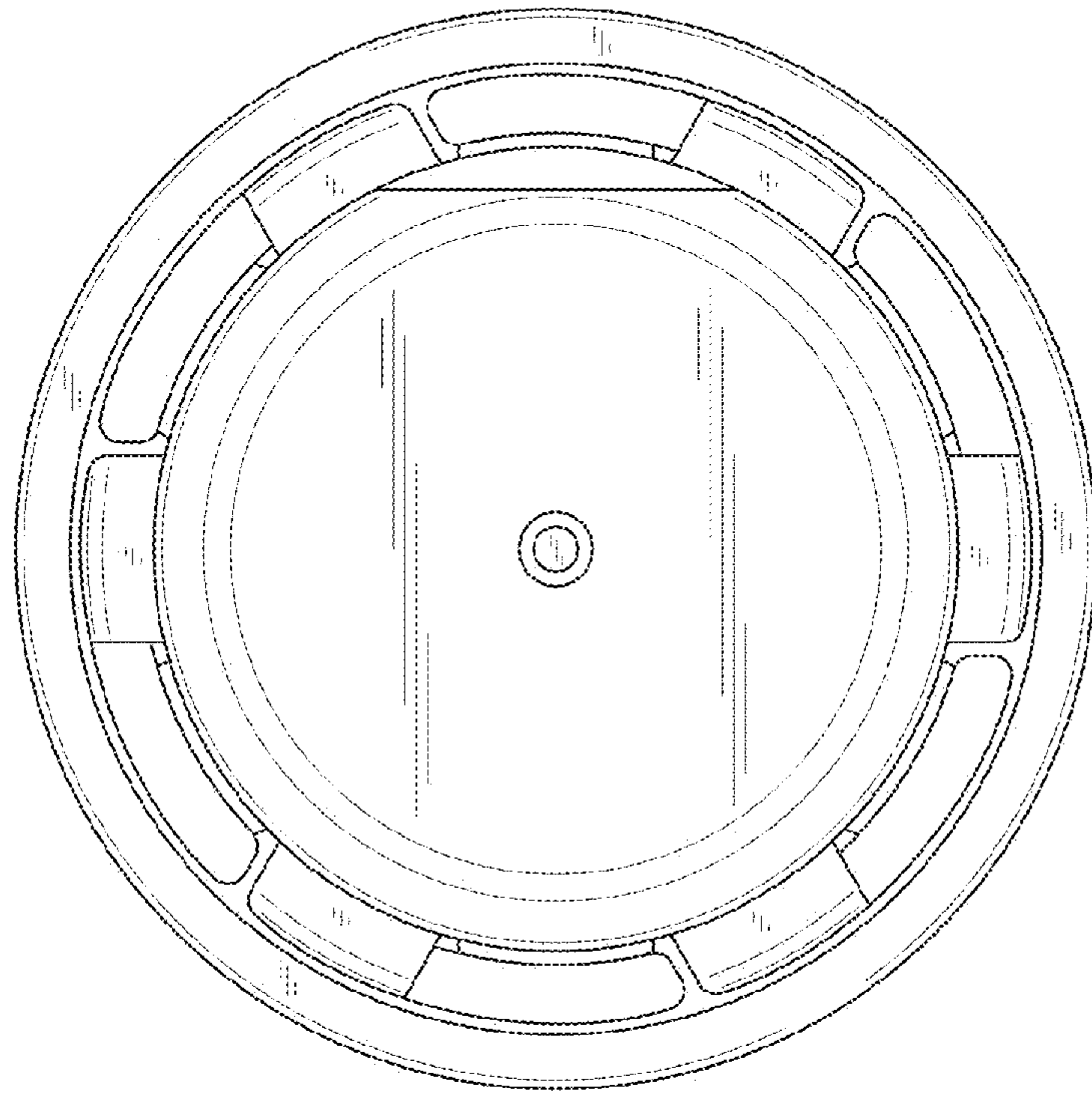


FIG. 5

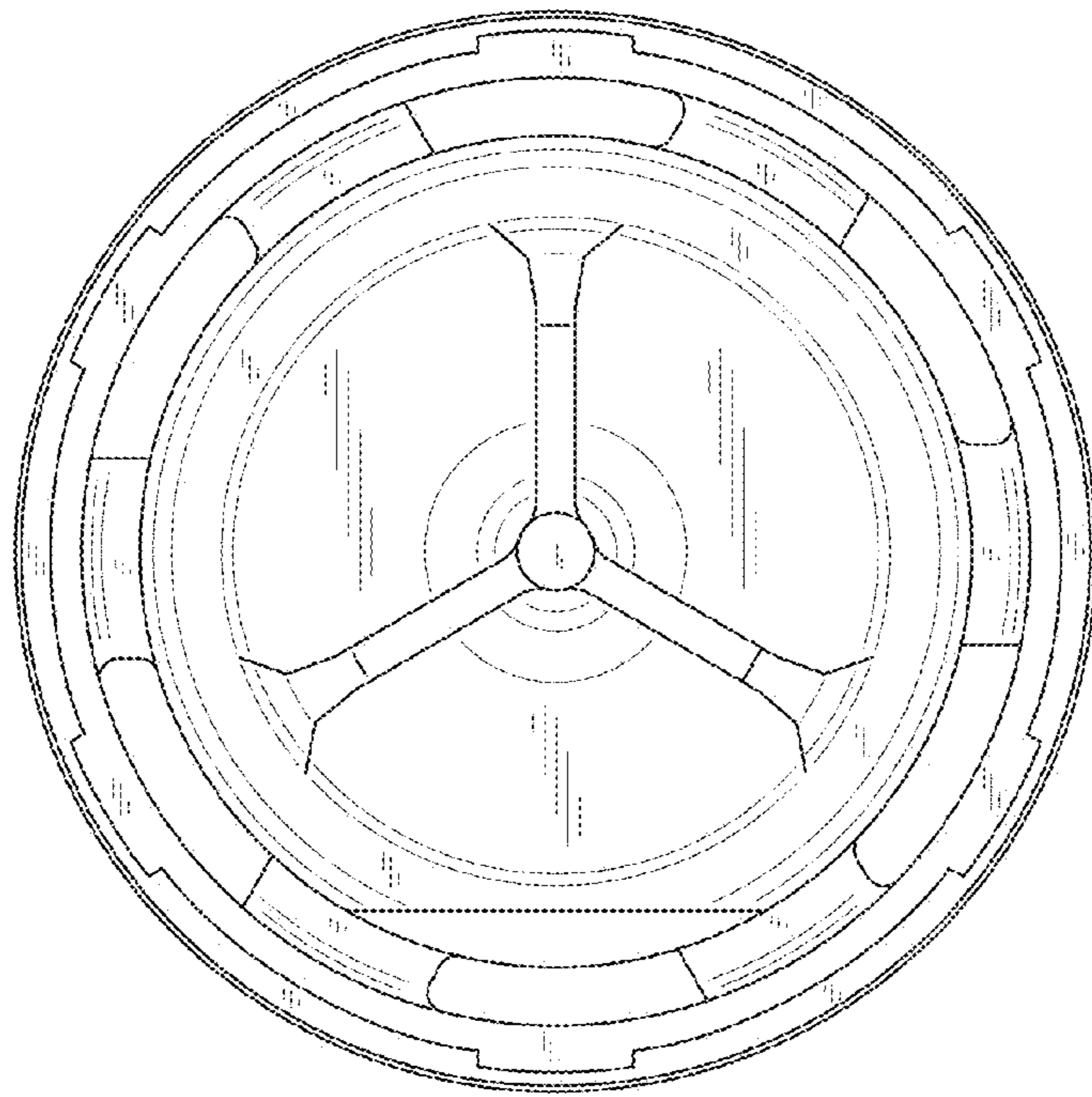


FIG.6

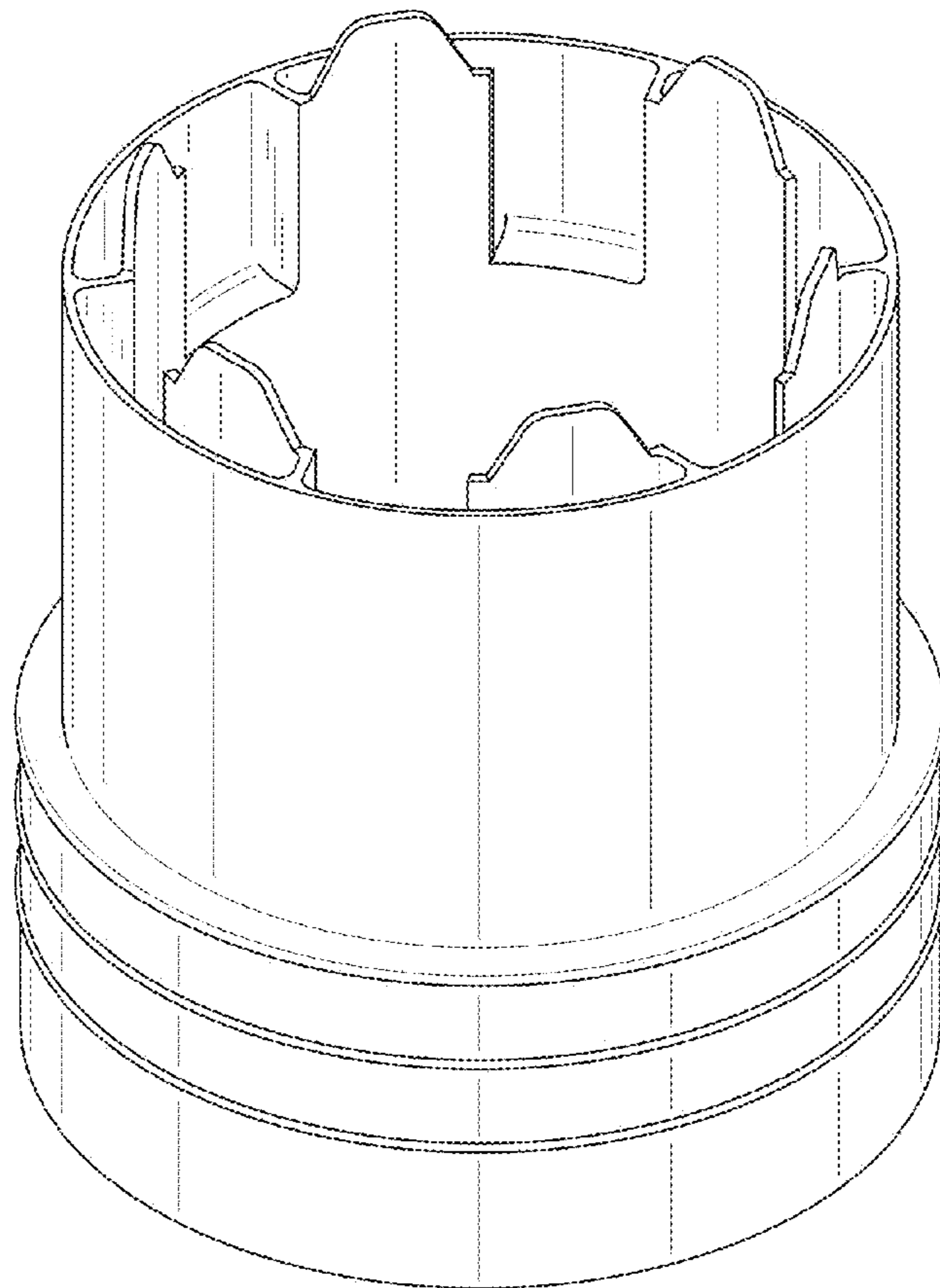


FIG.7

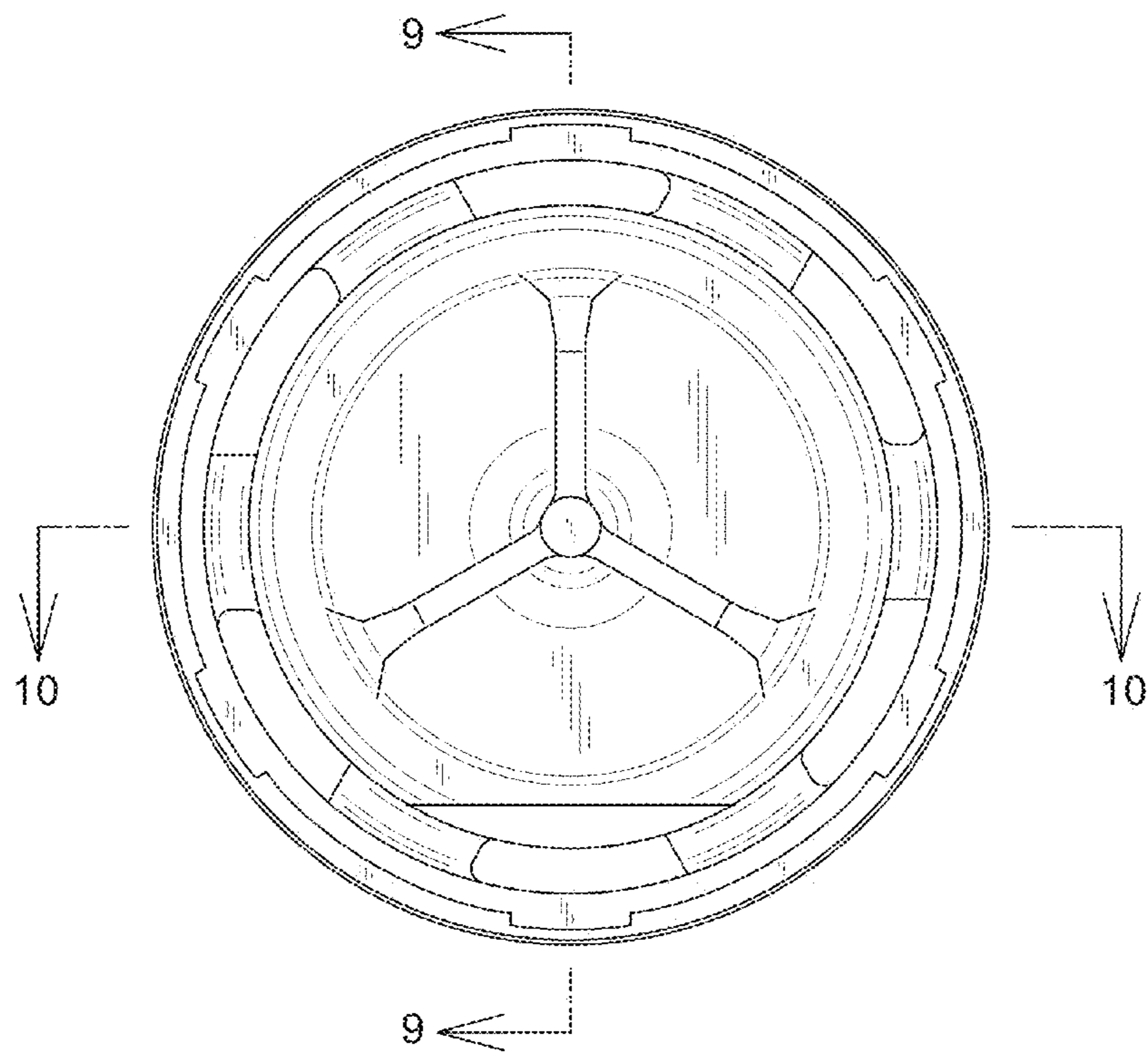


FIG. 8

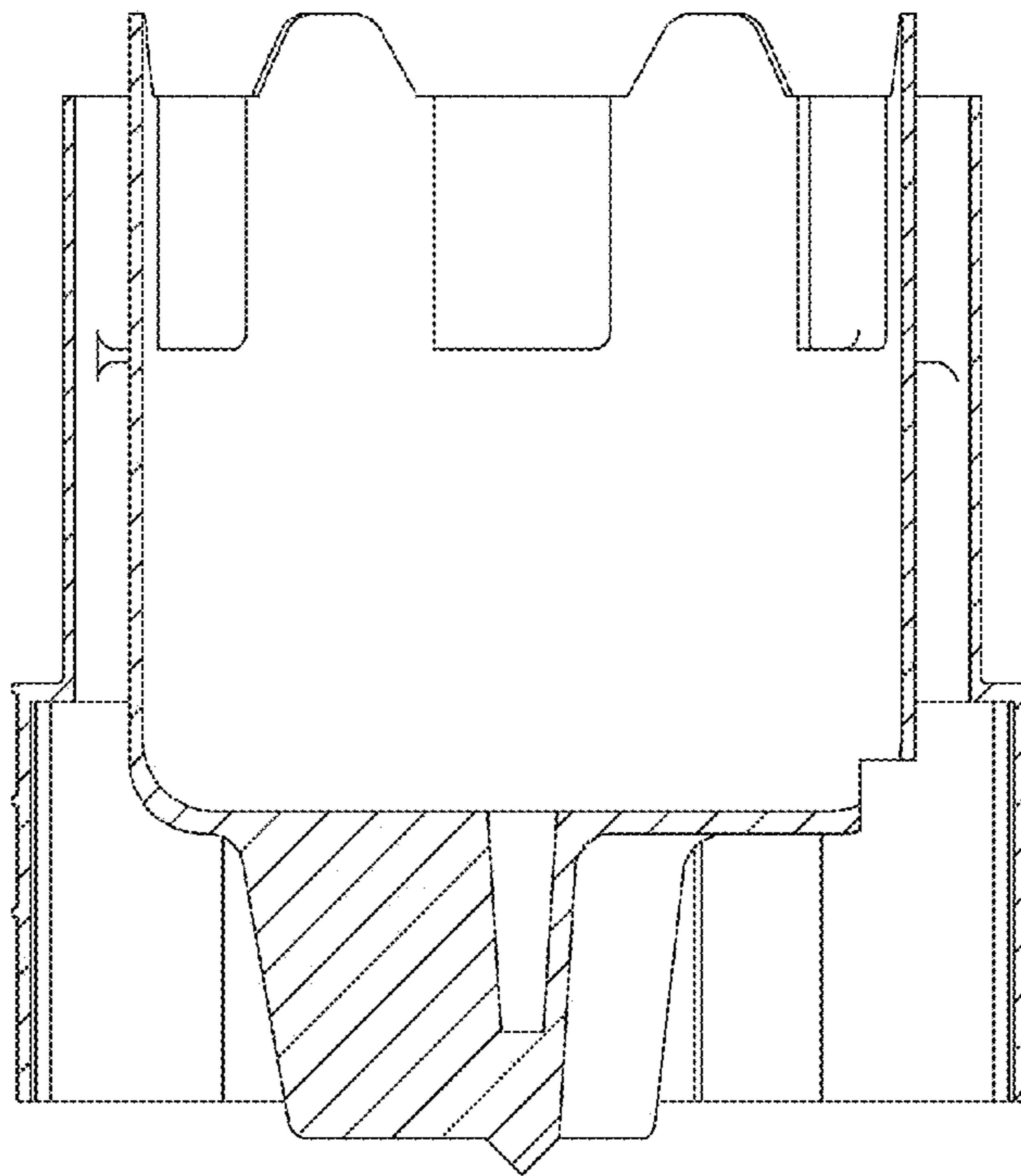


FIG. 9

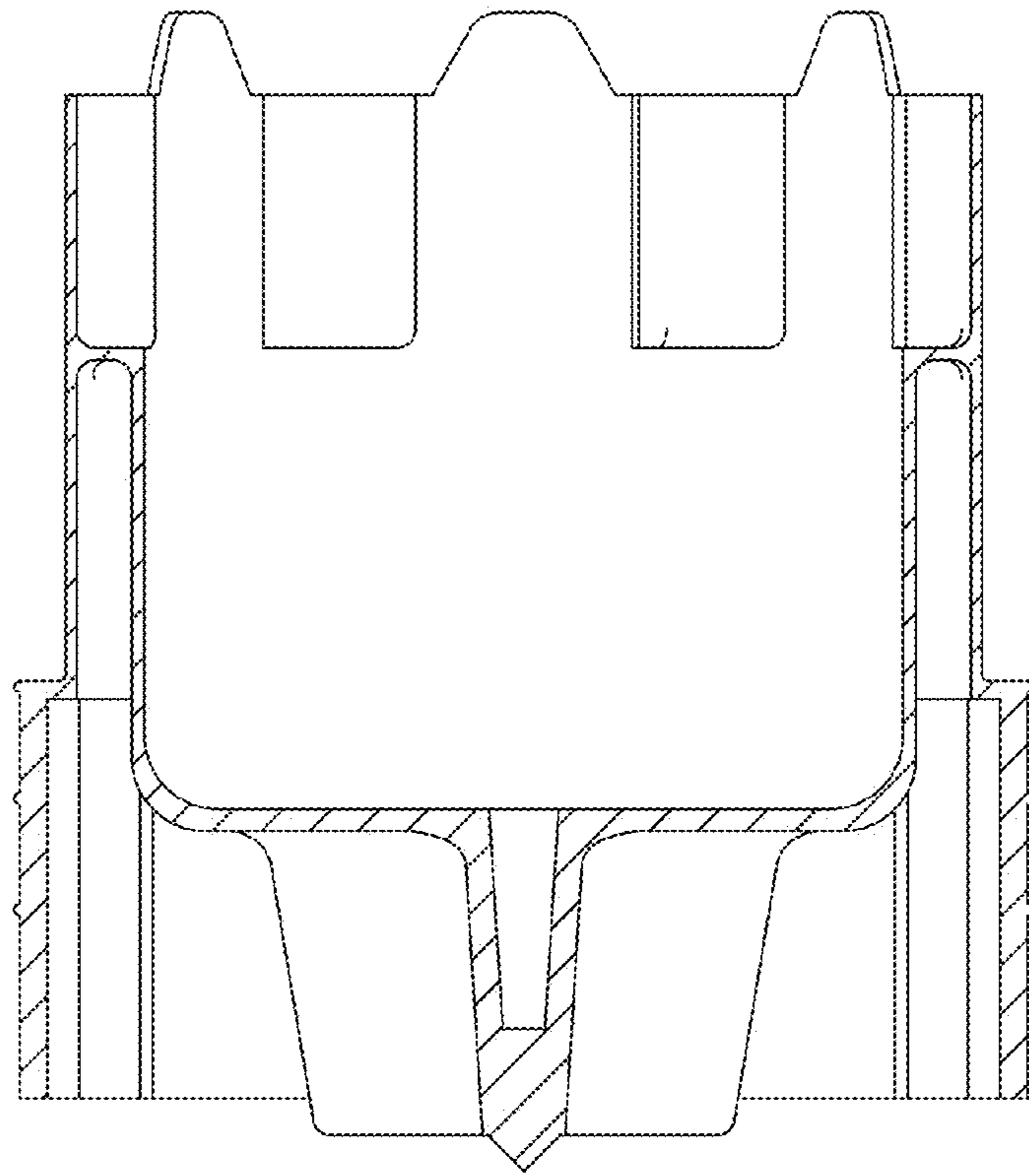


FIG. 10