



US00D683424S

(12) **United States Design Patent**
Liu

(10) **Patent No.:** **US D683,424 S**
(45) **Date of Patent:** **** May 28, 2013**

(54) **LED FLEXIBLE BUBBLE WAND**

Primary Examiner — Robin V Webster

(75) Inventor: **Xiaoming Liu**, Baolong (CN)

(57) **CLAIM**

The ornamental design for a LED flexible bubble wand, as shown and described.

(73) Assignee: **Shenzhen Xingrisheng Industrial Co., Ltd.**, Shenzhen (CN)

(**) Term: **14 Years**

DESCRIPTION

(21) Appl. No.: **29/423,378**

FIG. 1 is a perspective view of the LED flexible bubble wand showing my new design; wherein the cutting plane line indicates that the design in the figure is shortened for display purpose.

(22) Filed: **May 31, 2012**

FIG. 2 is an exploded view thereof; wherein the cutting plane line indicates that the design in the figure is shortened for display purpose.

(30) **Foreign Application Priority Data**

Dec. 12, 2011 (CN) 2011 3 0472441

FIG. 3 is a left plan view thereof; wherein the cutting plane line indicates that the design in the figure is shortened for display purpose.

(51) **LOC (9) Cl.** **23-01**

(52) **U.S. Cl.**
USPC **D23/213**

FIG. 4 is a right plan view thereof; wherein the cutting plane line indicates that the design in the figure is shortened for display purpose.

(58) **Field of Classification Search**
USPC D23/213, 223, 226; 239/532, 548,
239/542, 566

See application file for complete search history.

FIG. 5 is an upward plan view;

(56) **References Cited**

U.S. PATENT DOCUMENTS

D353,873 S * 12/1994 Schoeneman D23/213
5,927,616 A * 7/1999 Grise et al. 239/600
6,378,791 B1 * 4/2002 Perry et al. 239/532
D514,662 S * 2/2006 Zielke et al. D23/213

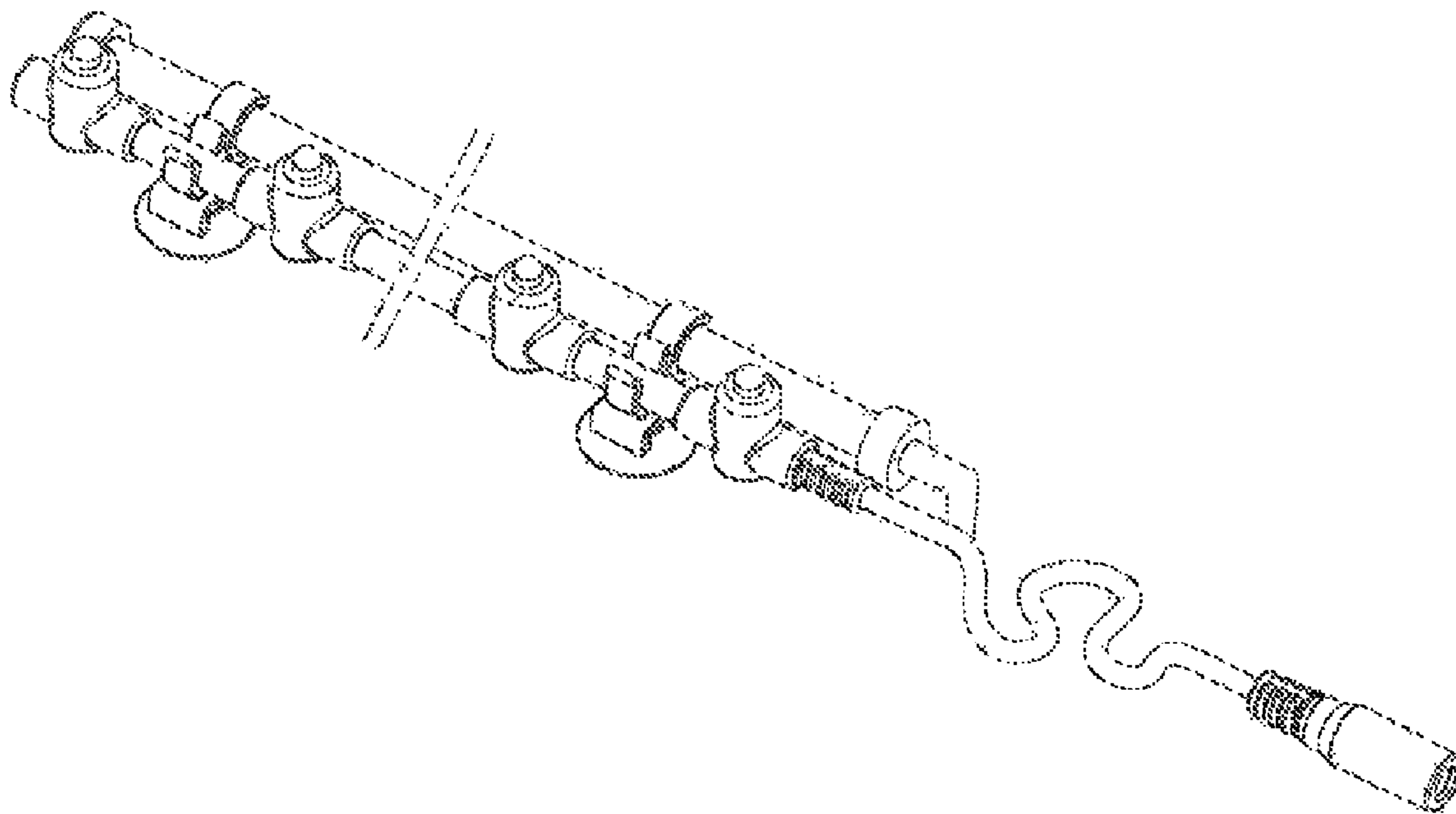
FIG. 6 is a downward plan view.

FIG. 7 is a front plan view thereof; wherein the cutting plane line indicates that the design in the figure is shortened for display purpose; and,

* cited by examiner

FIG. 8 is a back plan view thereof; wherein the cutting plane line indicates that the design in the figure is shortened for display purpose.

1 Claim, 2 Drawing Sheets



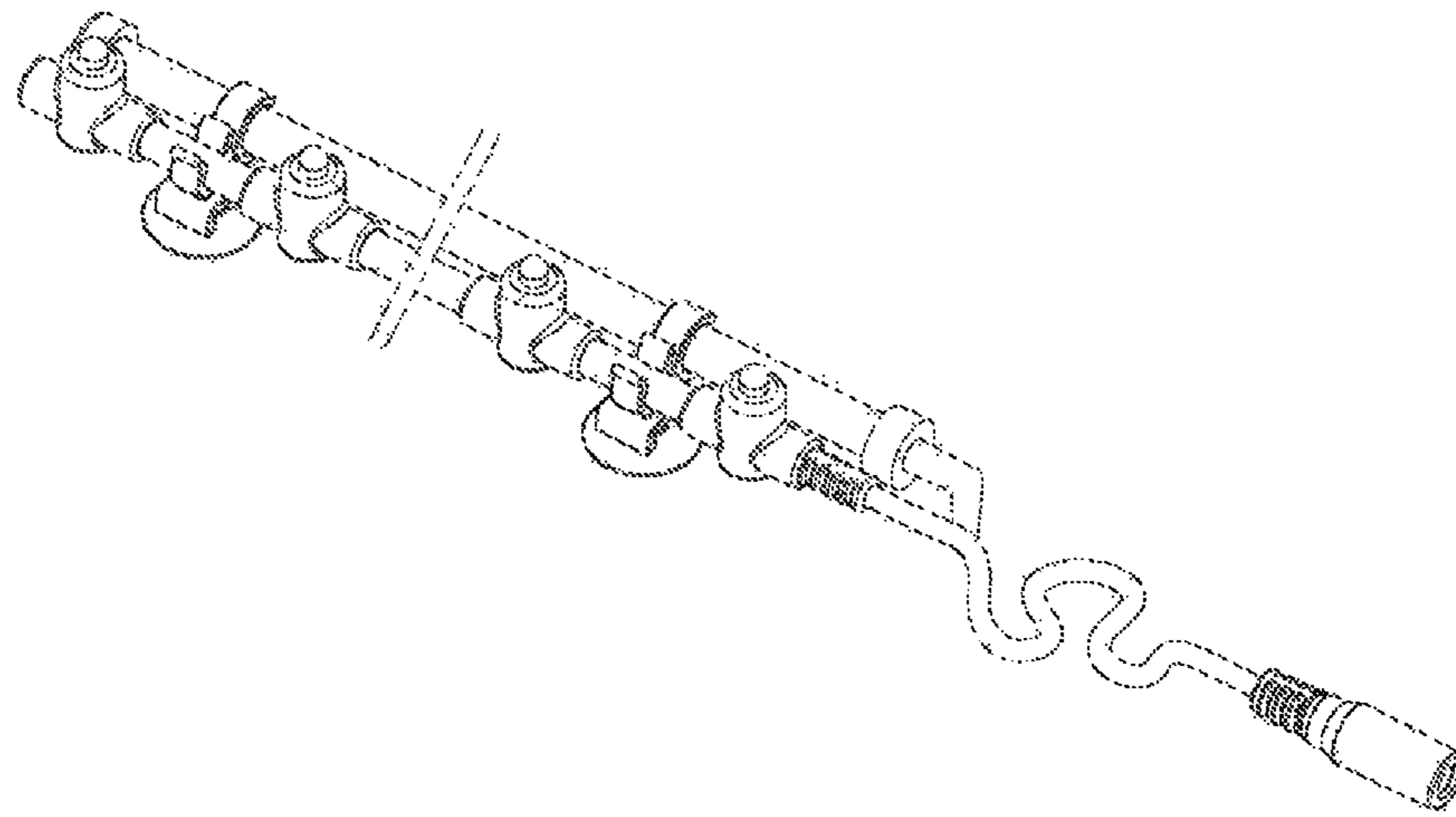


Fig.1

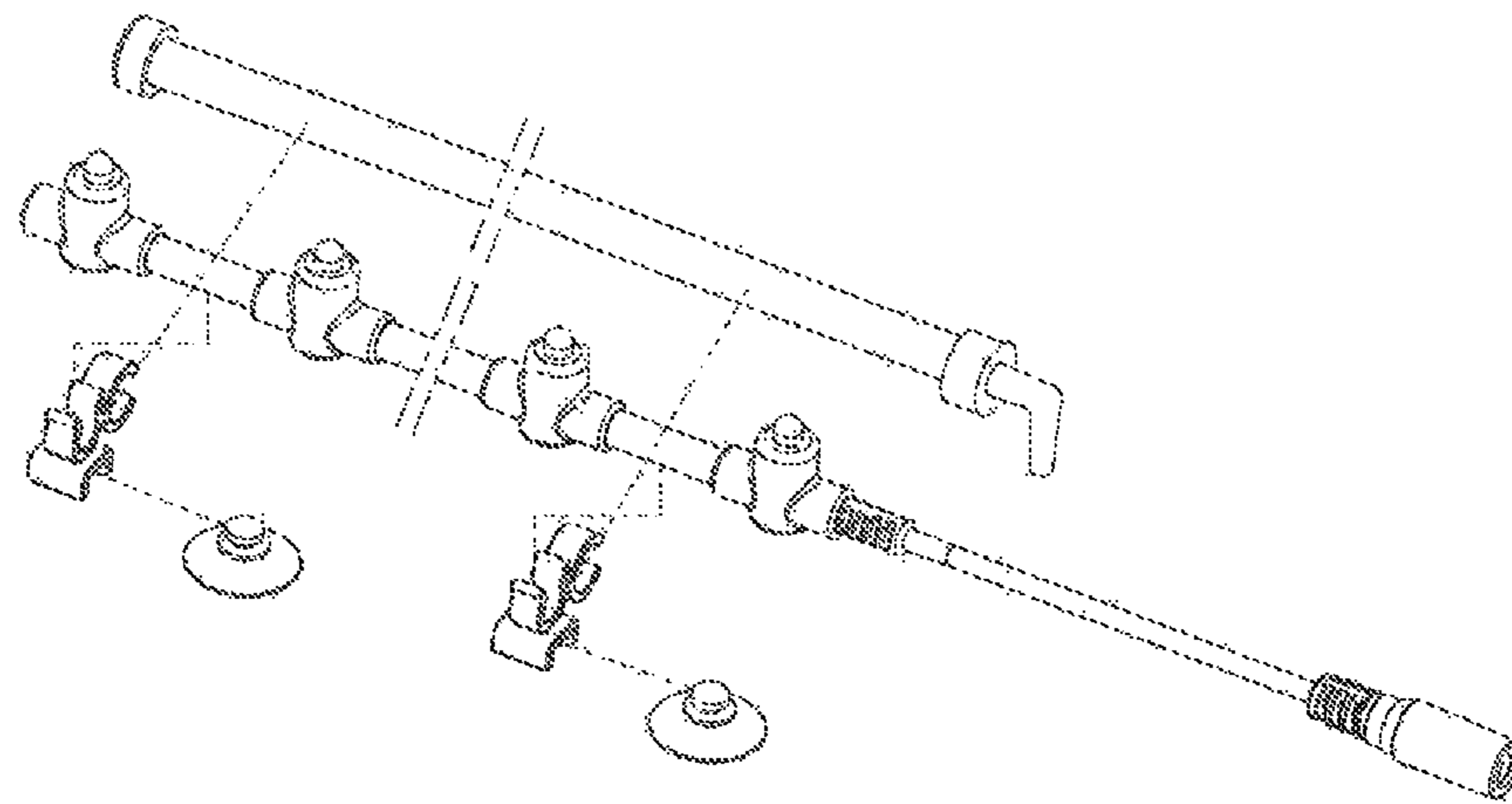


Fig.2

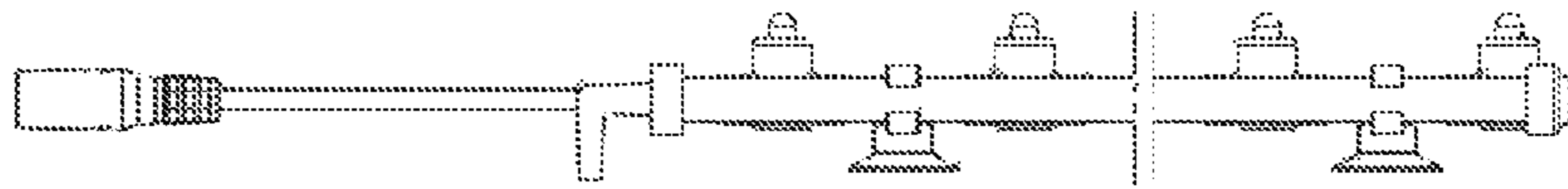


Fig.3

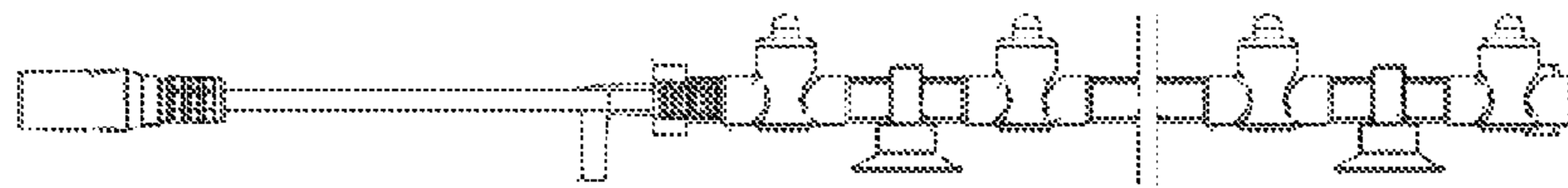


Fig.4

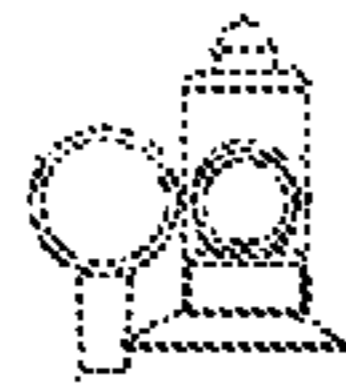


Fig.6

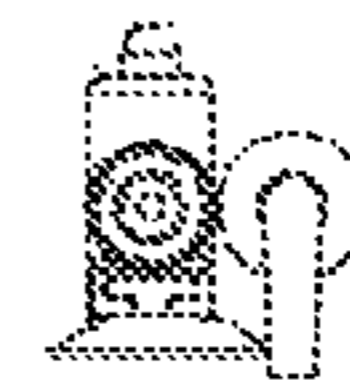


Fig.5

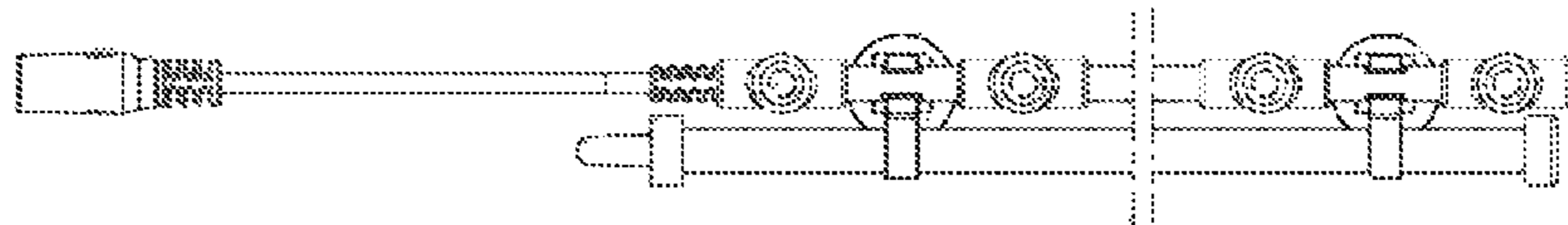


Fig.7

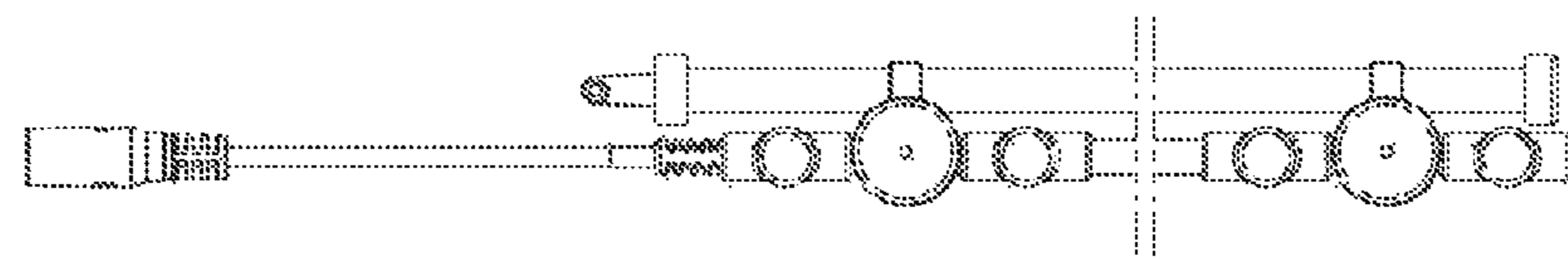


Fig.8